



US00D643842S

(12) **United States Design Patent**  
**Marshall et al.**

(10) **Patent No.:** **US D643,842 S**

(45) **Date of Patent:** **\*\* Aug. 23, 2011**

(54) **DOCKING STATION**

(75) Inventors: **Michael Lewis Marshall**, Washington, DC (US); **Yenny Paola Moya**, Silver Springs, MD (US); **Paul Daniel Alston**, Stone Mountain, GA (US)

(73) Assignee: **inNuevo, LLC**, Washington, DC (US)

(\*\*) Term: **14 Years**

(21) Appl. No.: **29/389,926**

(22) Filed: **Apr. 18, 2011**

(51) **LOC (9) Cl.** ..... **14-02**

(52) **U.S. Cl.** ..... **D14/434; D14/315**

(58) **Field of Classification Search** ..... D14/432-434, D14/314, 204, 420, 421, 447, 217, 358; D13/107, D13/108, 146; D8/373; 248/346.03, 176.1; 361/679.41, 679.31, 679.32, 679.4, 679.43, 361/679.55, 679.33; 320/109, 112-115; 710/15, 303; 455/557

See application file for complete search history.

(56) **References Cited**

**U.S. PATENT DOCUMENTS**

D323,156 S	1/1992	Nishida	
D356,072 S	3/1995	Mundt	
D363,473 S *	10/1995	Leman	D14/434
D369,147 S	4/1996	Iino et al.	
5,638,257 A	6/1997	Kumar et al.	
5,826,840 A	10/1998	Yun	
5,966,284 A	10/1999	Youn et al.	
6,028,764 A	2/2000	Richardson et al.	
6,212,066 B1	4/2001	Fetterman	
D443,610 S	6/2001	Lo	
D456,802 S *	5/2002	Malson	D14/315
D491,933 S	6/2004	Guo	
D491,934 S *	6/2004	Shimano et al.	D14/318
6,744,627 B2 *	6/2004	Won et al.	361/679.57
6,912,125 B2 *	6/2005	Weng	361/679.41
6,937,468 B2	8/2005	Lin et al.	
6,961,239 B2 *	11/2005	Schedivy	361/679.29
6,976,799 B2	12/2005	Kim et al.	

7,025,274 B2	4/2006	Solomon et al.	
D521,002 S	5/2006	Rinna et al.	
D540,804 S *	4/2007	Hibino et al.	D14/434
D541,284 S *	4/2007	Hibino et al.	D14/434
7,298,610 B2	11/2007	Kim et al.	
7,440,275 B2 *	10/2008	Schedivy	361/679.41
D580,432 S	11/2008	Yun et al.	
D593,091 S	5/2009	Behar et al.	
D599,792 S	9/2009	Lin	
7,618,065 B2	11/2009	Yau	
D611,467 S	3/2010	Gou	
D615,538 S	5/2010	Huang et al.	
D621,405 S *	8/2010	Waite et al.	D14/434
D626,129 S	10/2010	Lutz	
D630,221 S	1/2011	Sogabe et al.	
7,924,559 B2 *	4/2011	Kuo	361/679.41
2002/0080567 A1	6/2002	Bone et al.	
2003/0193316 A1 *	10/2003	Guo et al.	320/112
2009/0194445 A1	8/2009	Mongan et al.	
2011/0026749 A1	2/2011	Yaun	

\* cited by examiner

*Primary Examiner* — Freda Nunn

(74) *Attorney, Agent, or Firm* — Law Office of Peter G. Korytnyk, PLLC

(57) **CLAIM**

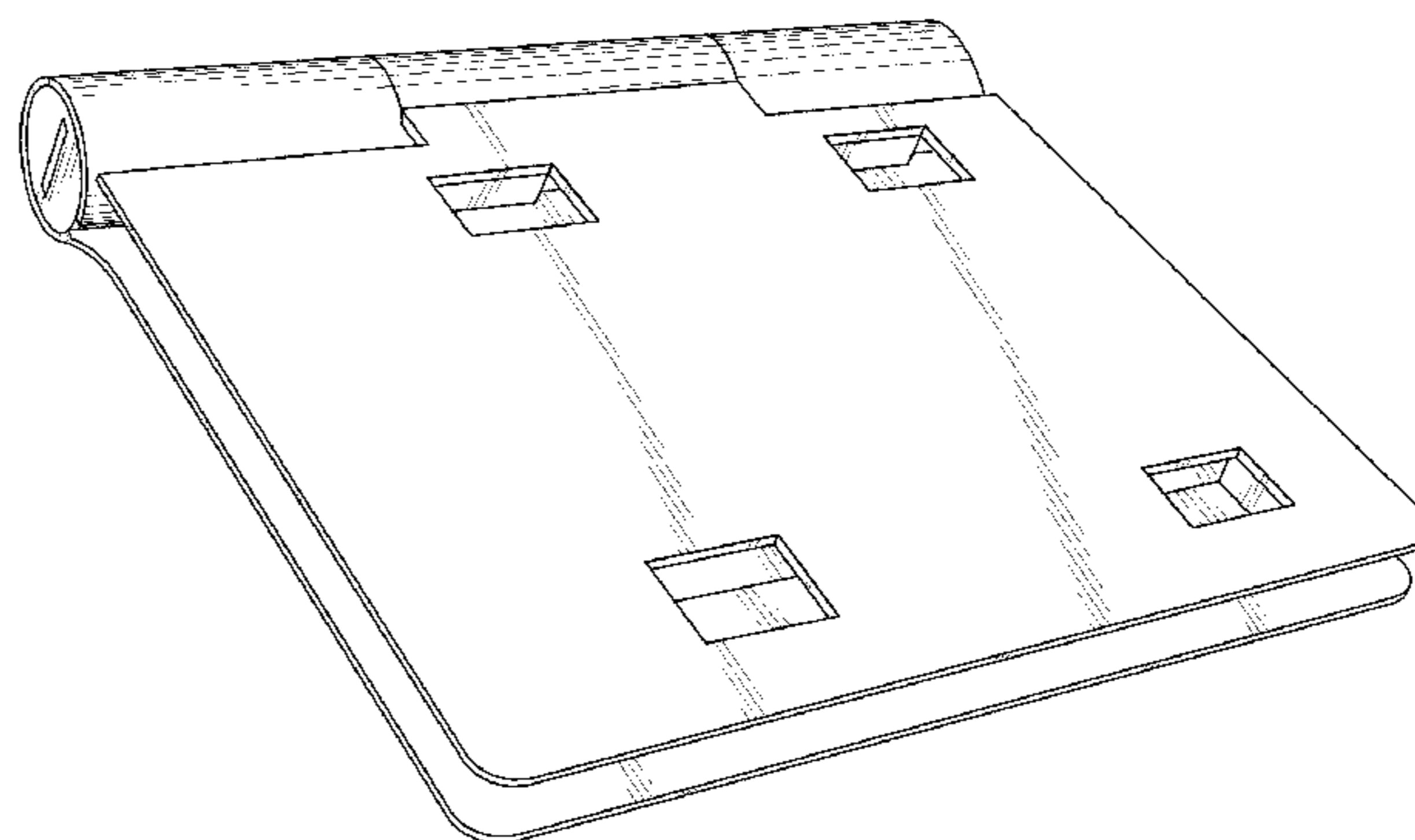
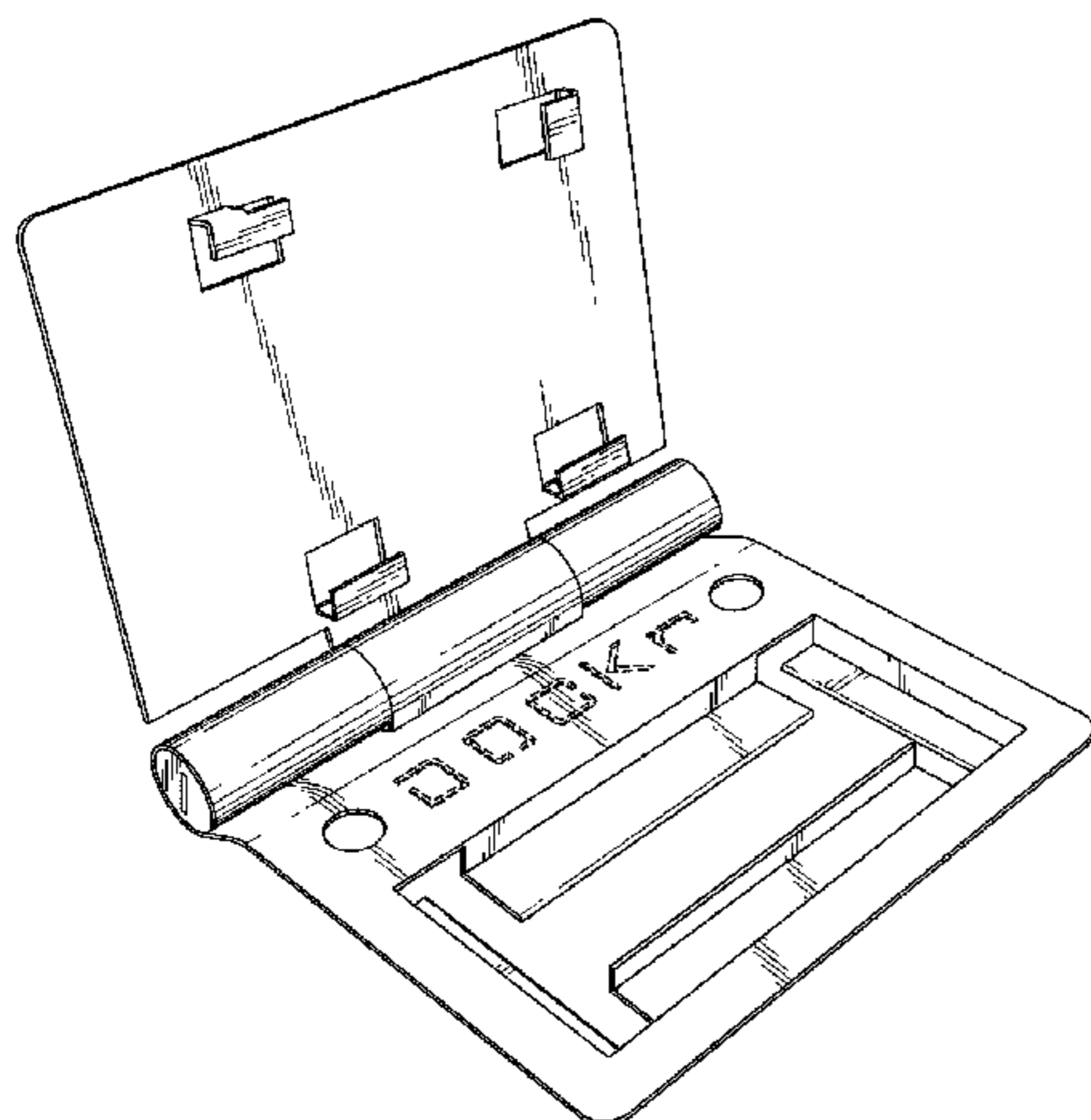
The ornamental design for a docking station, as shown and described.

**DESCRIPTION**

FIG. 1 is a front perspective view of the docking station in an open position according to the present teachings; FIG. 2 is a front view of the docking station; FIG. 3 is a rear view of the docking station; FIG. 4 is a left side view of the docking station; FIG. 5 is a right side view of the docking station; FIG. 6 is a top view of the docking station; FIG. 7 is a bottom view of the docking station; and, FIG. 8 is a front perspective view of the docking station in a closed position.

Broken lines shown in the drawings illustrate portions of the docking station, and form no part of the claimed design.

**1 Claim, 7 Drawing Sheets**



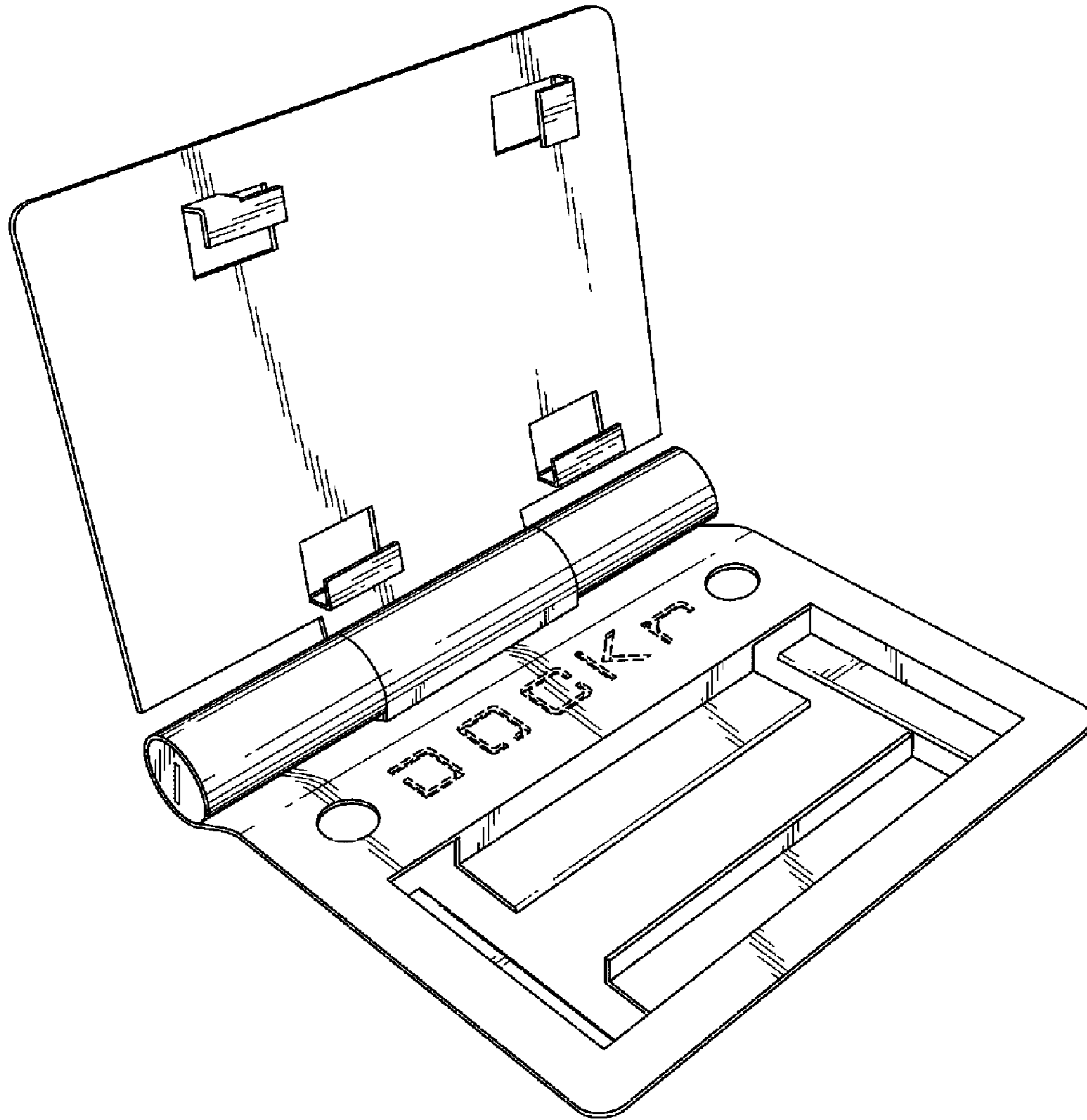


Fig. 1

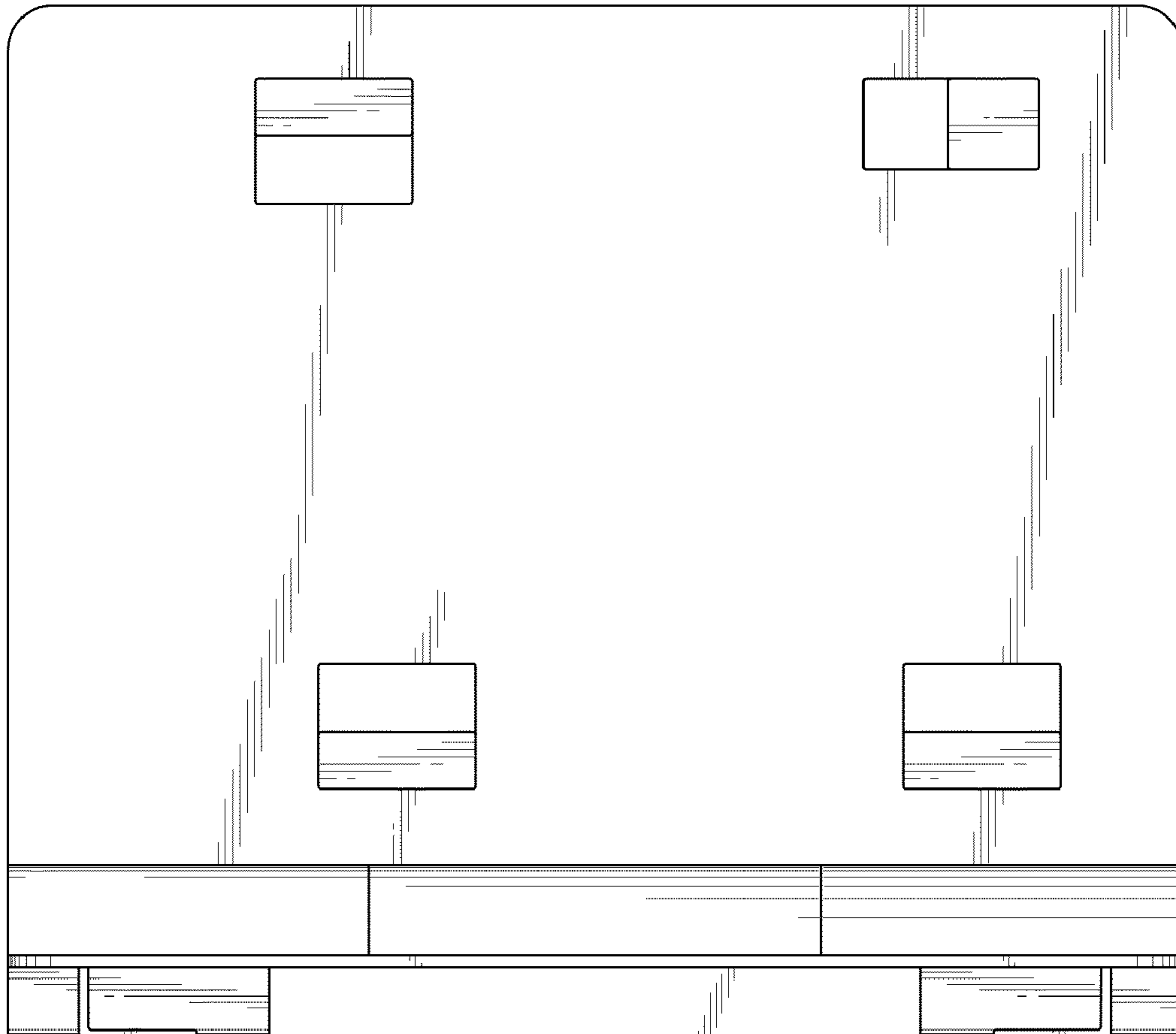


Fig. 2

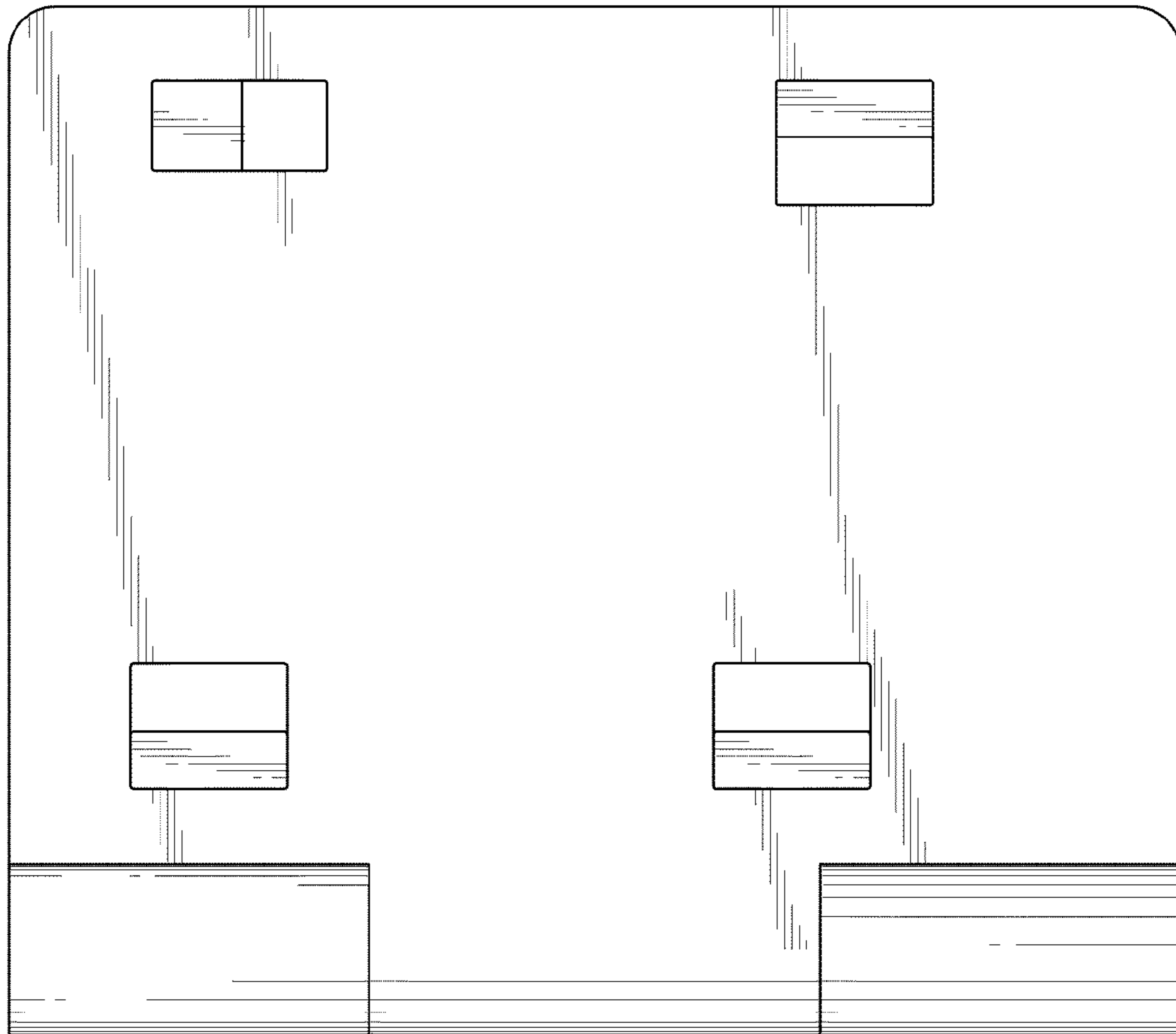


Fig. 3

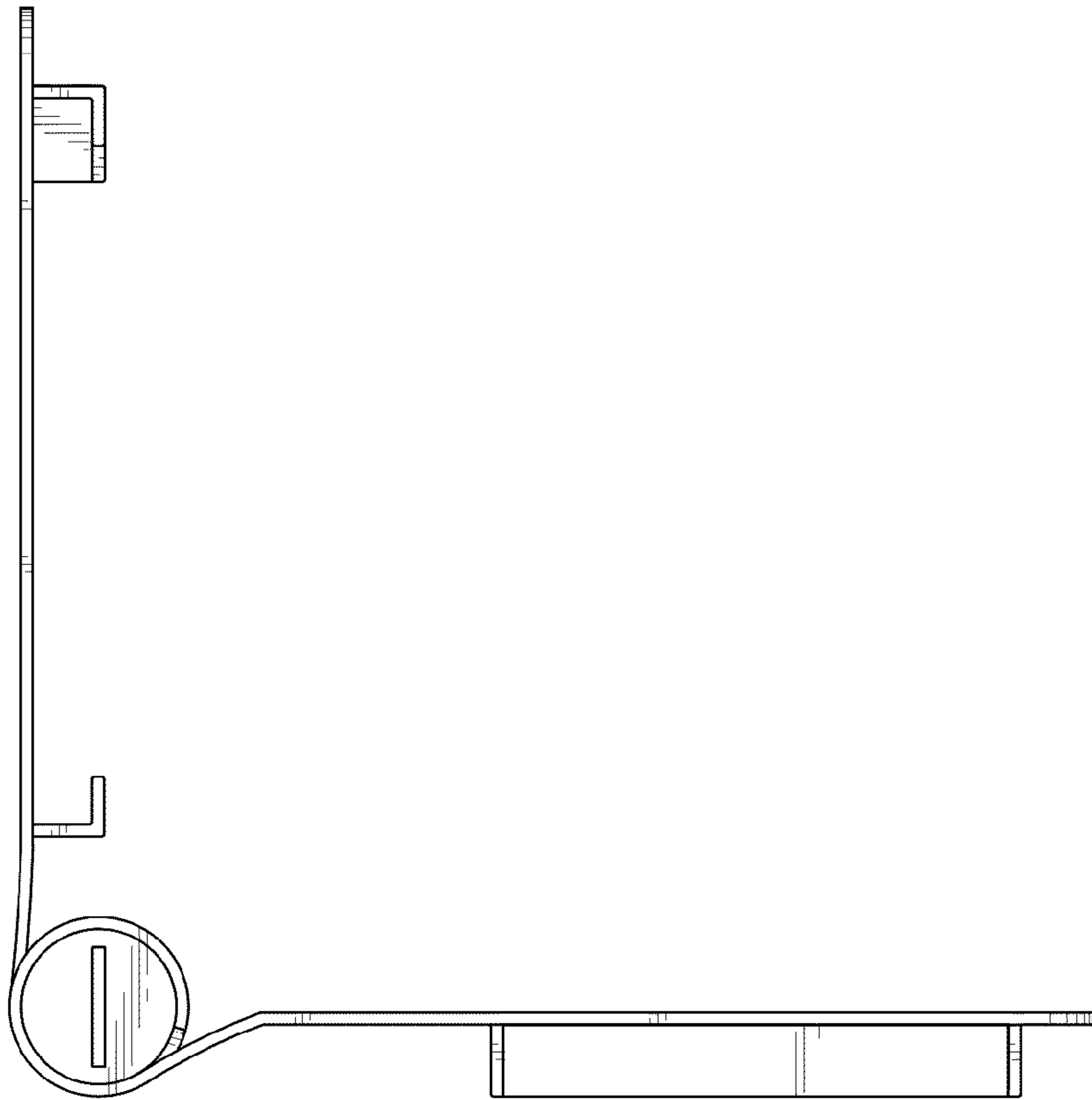


Fig. 4

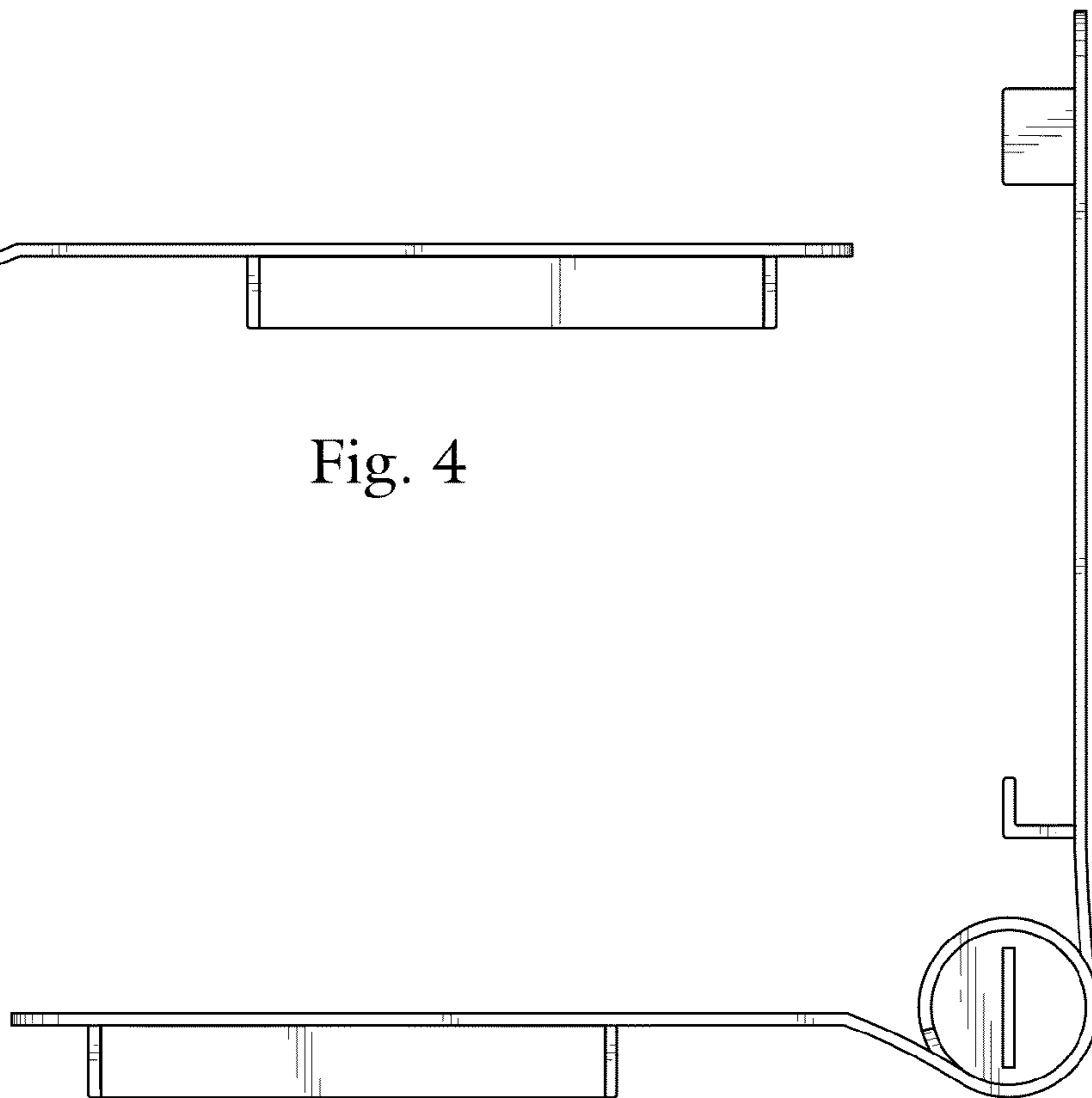


Fig. 5

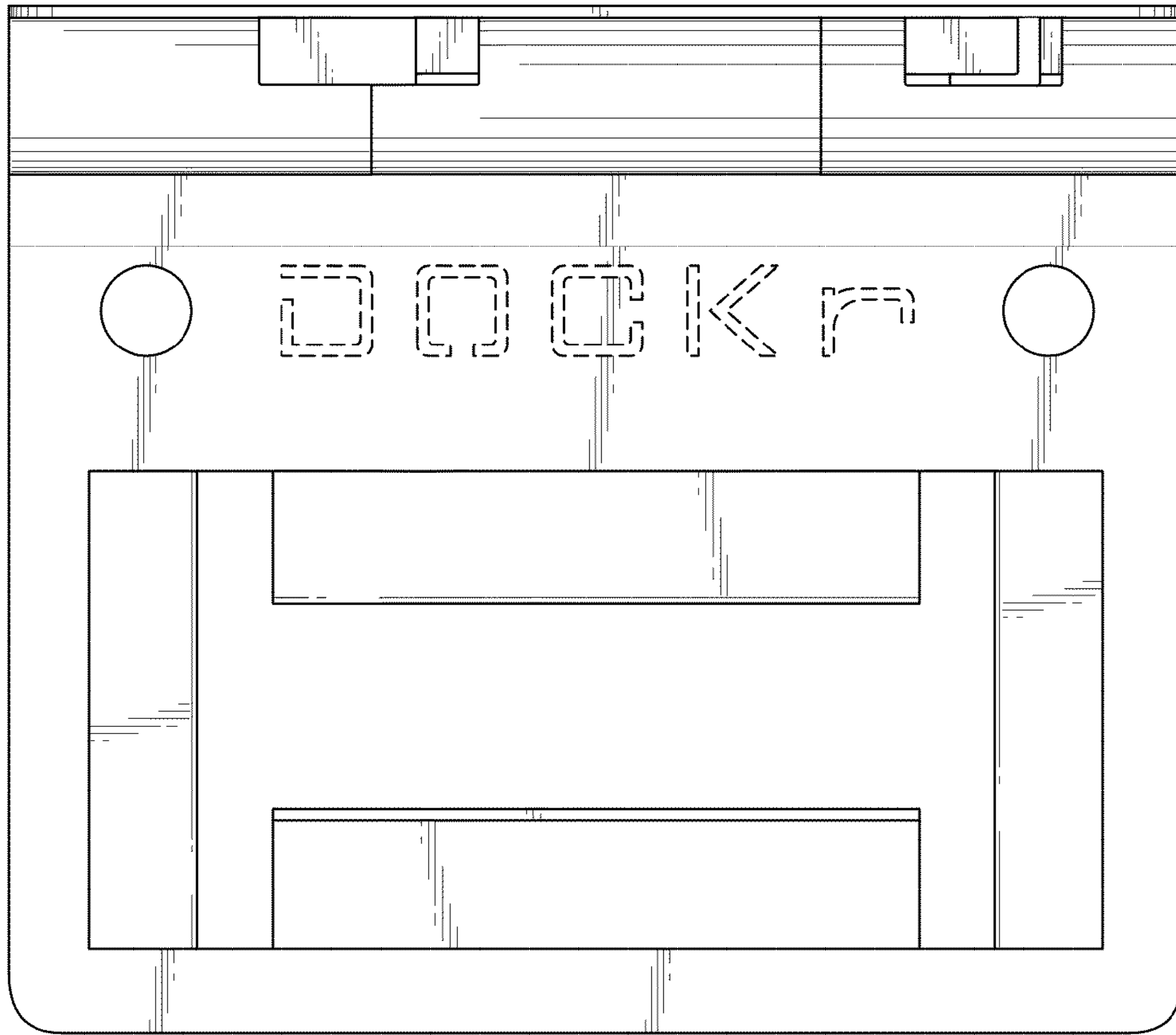


Fig. 6



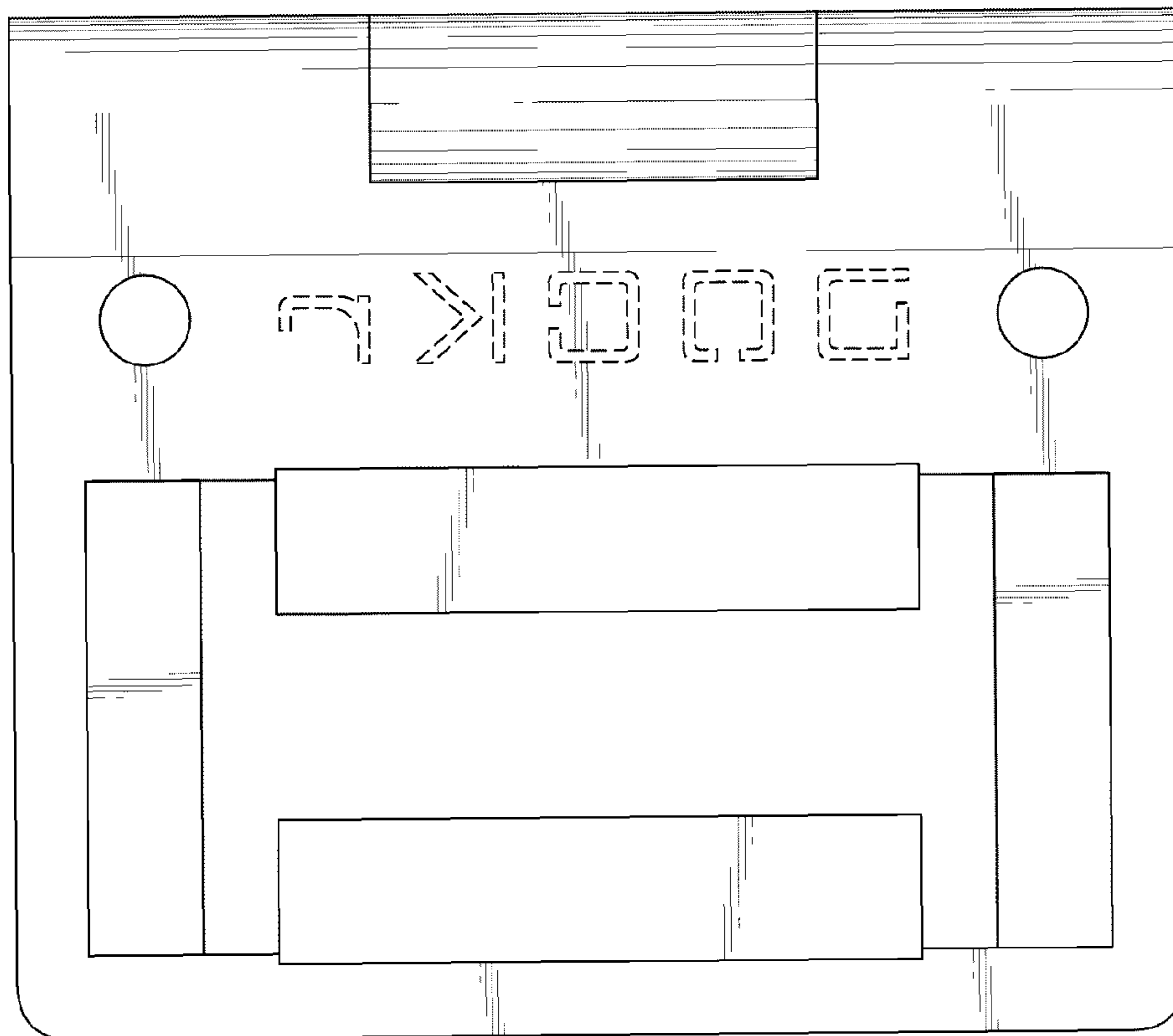


Fig. 7

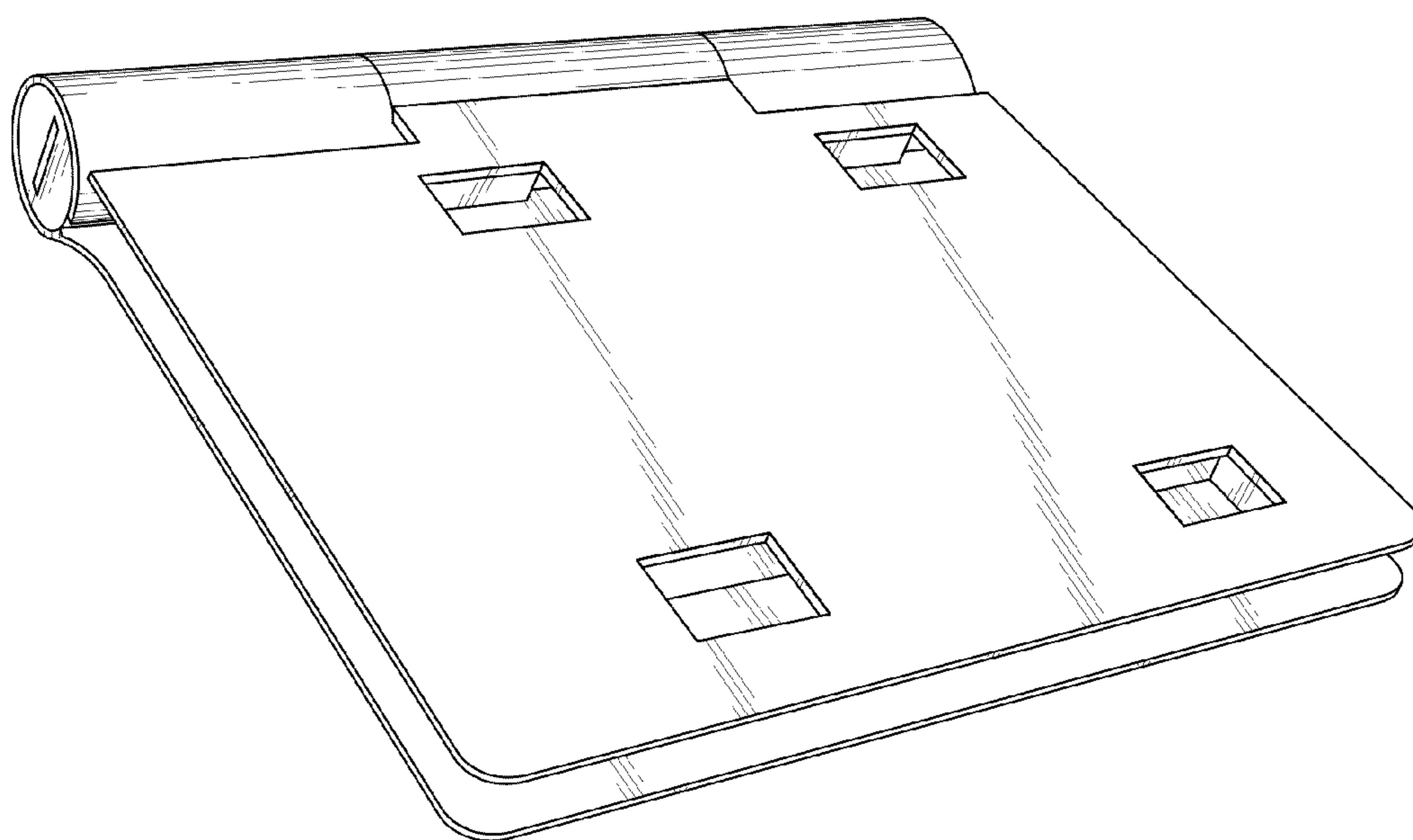


Fig. 8