



US00D643841S

(12) **United States Design Patent**
Lyford et al.

(10) **Patent No.:** **US D643,841 S**

(45) **Date of Patent:** **** Aug. 23, 2011**

(54) **ADAPTER FOR ACCESSORY-HOST INTERFACE**

(75) Inventors: **J. Steven Lyford**, Portland, OR (US);
Robert R. Kreitzer, Tigard, OR (US)

(73) Assignee: **Tektronix, Inc.**, Beaverton, OR (US)

(**) Term: **14 Years**

(21) Appl. No.: **29/383,017**

(22) Filed: **Jan. 11, 2011**

(51) **LOC (9) Cl.** **14-02**

(52) **U.S. Cl.** **D14/433; D13/133; D13/154**

(58) **Field of Classification Search** D14/356–358,
D14/383–385, 420, 426, 427, 432–439, 447,
D14/453, 454, 217, 253, 299; D13/107,
D13/108, 133, 146, 147, 152, 154, 156, 158,
D13/162, 162.1, 168, 173, 177; 385/53,
385/55; 439/680, 578, 638; D10/80

See application file for complete search history.

(56) **References Cited**

U.S. PATENT DOCUMENTS

D141,099 S *	5/1945	Baumgardner	D13/173
D141,100 S *	5/1945	Baumgardner	D13/173
D141,101 S *	5/1945	Baumgardner	D13/173
D374,663 S *	10/1996	Rodrigues et al.	D14/433
D384,035 S *	9/1997	Kuprewicz et al.	D13/133
D389,121 S *	1/1998	Kuprewicz et al.	D13/133
6,069,992 A *	5/2000	Hyzin	385/55
D433,666 S *	11/2000	Yang	D13/147
D454,113 S *	3/2002	Ikeda et al.	D13/133
D454,333 S *	3/2002	Ikeda et al.	D13/133
6,379,183 B1 *	4/2002	Ayres et al.	439/578
6,702,617 B1 *	3/2004	Clement et al.	439/607.08
D561,698 S *	2/2008	Cuff et al.	D13/147
D563,881 S *	3/2008	Howerton et al.	D13/147
D563,882 S *	3/2008	Howerton et al.	D13/147
D563,883 S *	3/2008	Dever	D13/147
D563,884 S *	3/2008	Dever	D13/147
D563,885 S *	3/2008	Dever	D13/147
D563,886 S *	3/2008	Dever	D13/147
D563,887 S *	3/2008	Dever	D13/147
D563,888 S *	3/2008	Dever	D13/147

D565,443 S *	4/2008	Frake et al.	D10/78
D566,046 S	4/2008	Gabel et al.		
D566,047 S	4/2008	Gabel et al.		
D568,821 S *	5/2008	Ashida et al.	D13/147
D574,772 S *	8/2008	Sutter	D13/133

(Continued)

Primary Examiner — Cathron C Brooks

Assistant Examiner — Deanna Fluegeman

(74) *Attorney, Agent, or Firm* — William K. Bucher

(57) **CLAIM**

The ornamental design for an adapter for accessory-host interface, as shown and described.

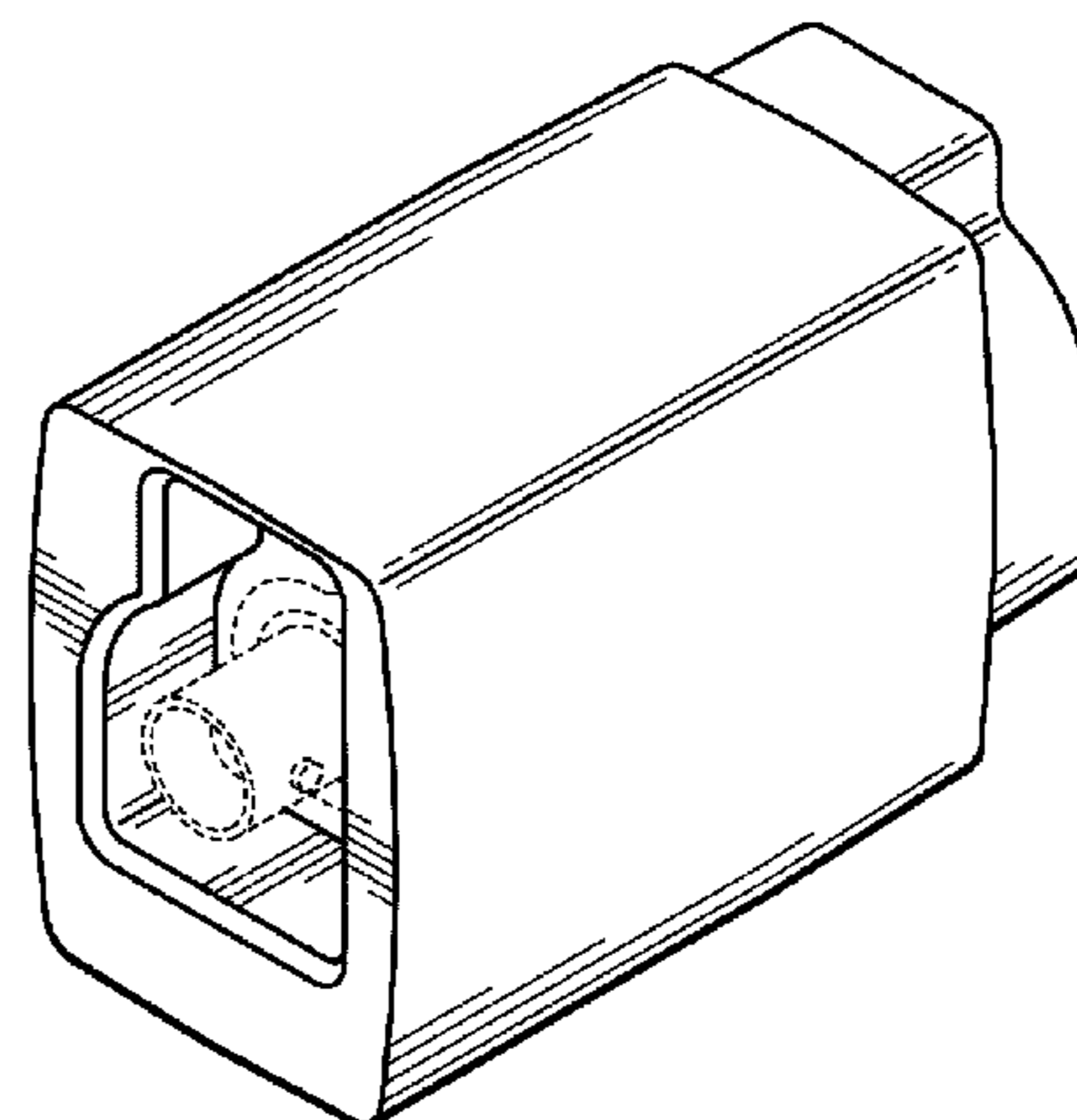
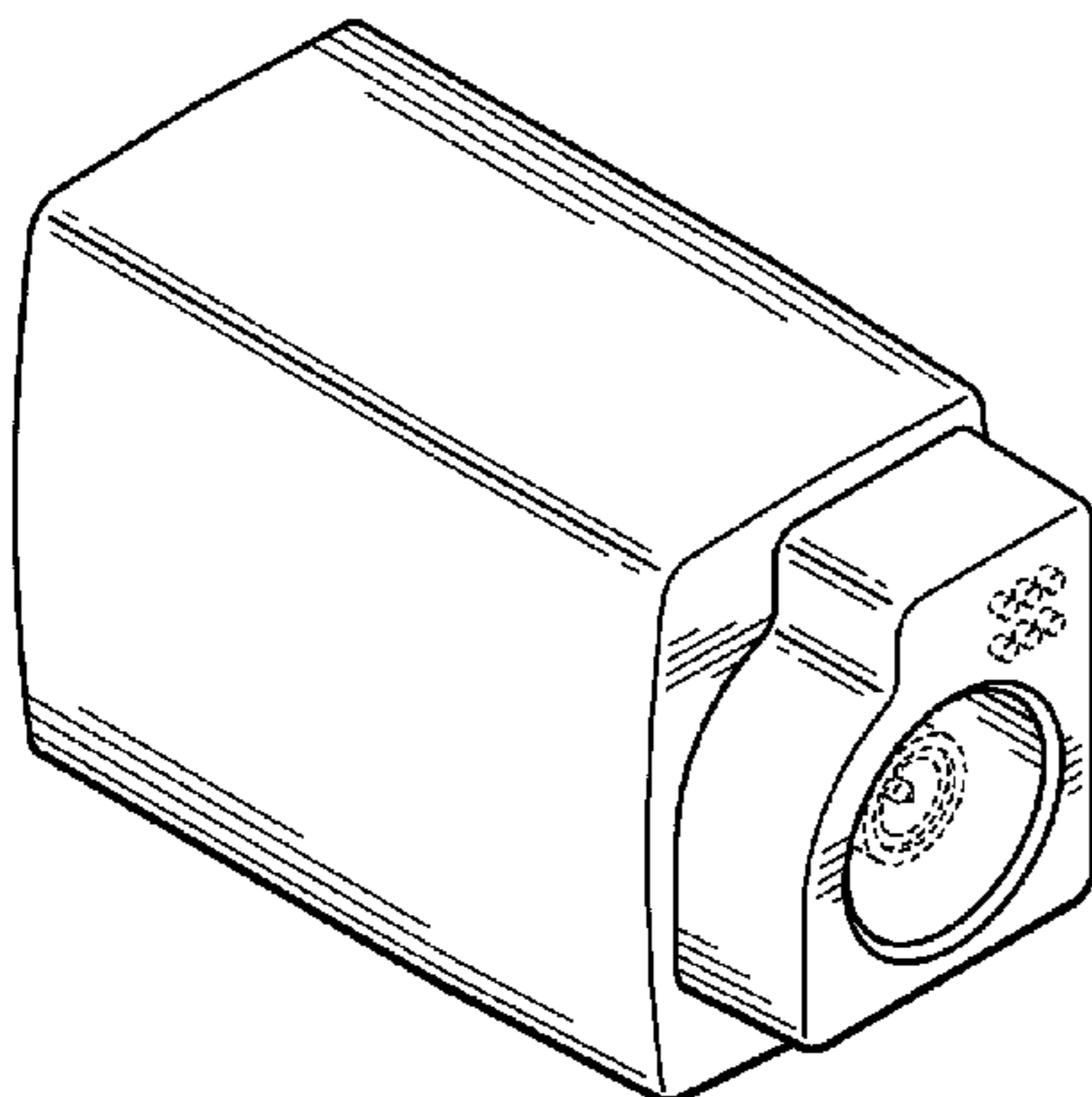
DESCRIPTION

FIG. 1 is a front perspective view showing the plug end of an adapter for accessory-host interface disposed in a host device; FIG. 2 is a reverse perspective view showing the receptacle end of the adapter for accessory-host interface; FIG. 3 is a top plan view of the adapter for accessory-host interface; FIG. 4 is a left side elevation view of the adapter for accessory-host interface; FIG. 5 is a bottom plan view of the adapter for accessory-host interface; FIG. 6 is a right side elevation view of the adapter for accessory-host interface; FIG. 7 is a front elevation view of the adapter for accessory-host interface; and, FIG. 8 is a reverse elevation view of the adapter for accessory-host interface.

The broken lines in the drawings illustrate unclaimed portions of the adapter for accessory-host interface and form no part of the claimed design.

The ornamental design disclosed in this application is for an adapter for an accessory-host interface wherein one end of the adapter is received in a receptacle disposed in a host device, such as an oscilloscope, logic analyzer, spectrum analyzer, signal generator and the like, and the other end of the adapter receives an accessory device, such as a signal measurement probe, temperature probe and the like.

1 Claim, 3 Drawing Sheets



US D643,841 S

Page 2

U.S. PATENT DOCUMENTS

D585,024 S *	1/2009	Kudo	D13/133	D596,126 S *	7/2009	Norin et al.	D13/133
D585,025 S *	1/2009	Kudo	D13/133	D603,341 S *	11/2009	Kawakami et al.	D13/158
D587,201 S *	2/2009	Allwood et al.	D13/133	D627,731 S *	11/2010	Huang et al.	D13/146
D589,044 S *	3/2009	Yoshida et al.	D14/358	RE42,303 E *	4/2011	Norin et al.	D13/133

* cited by examiner

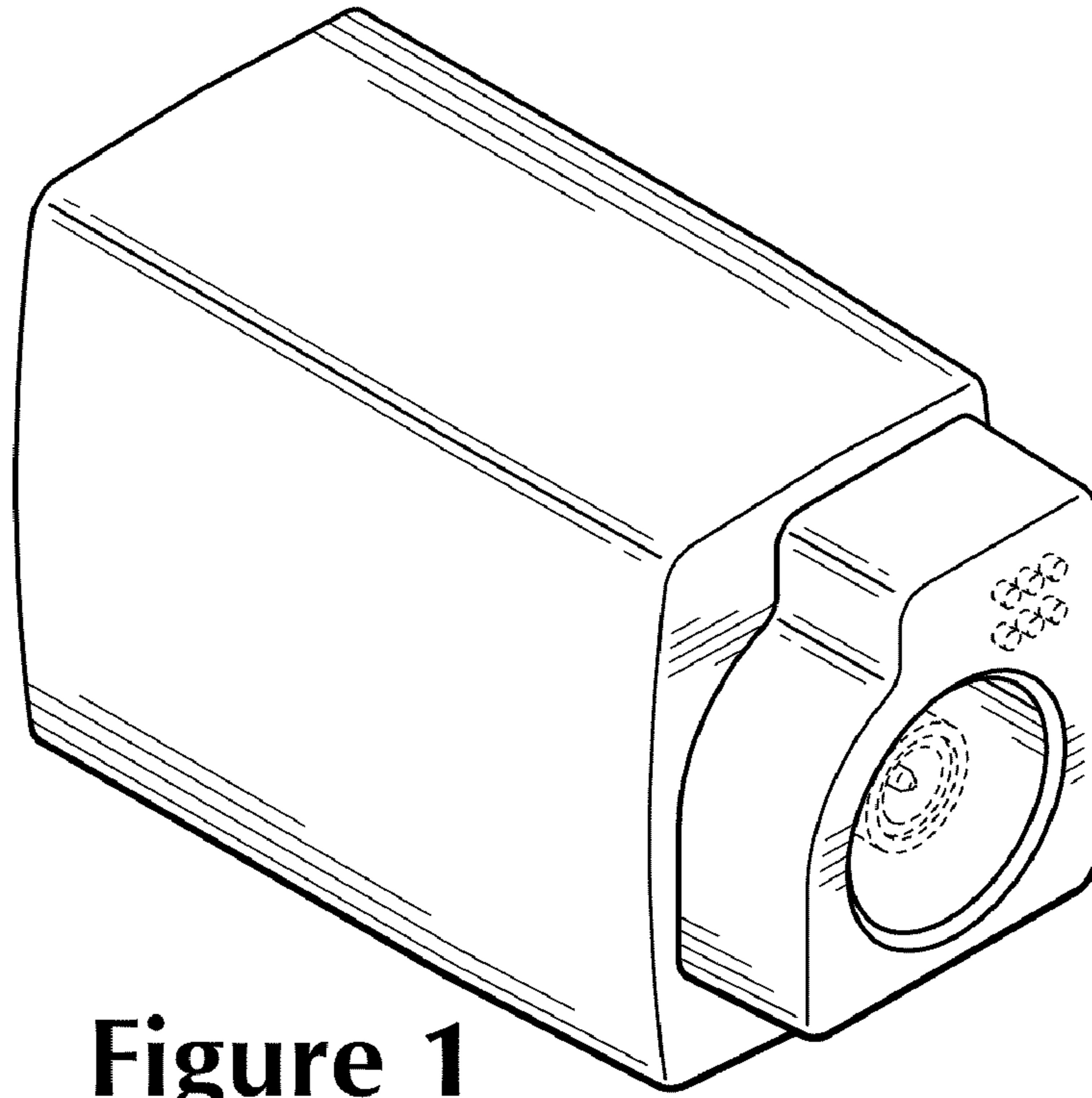


Figure 1

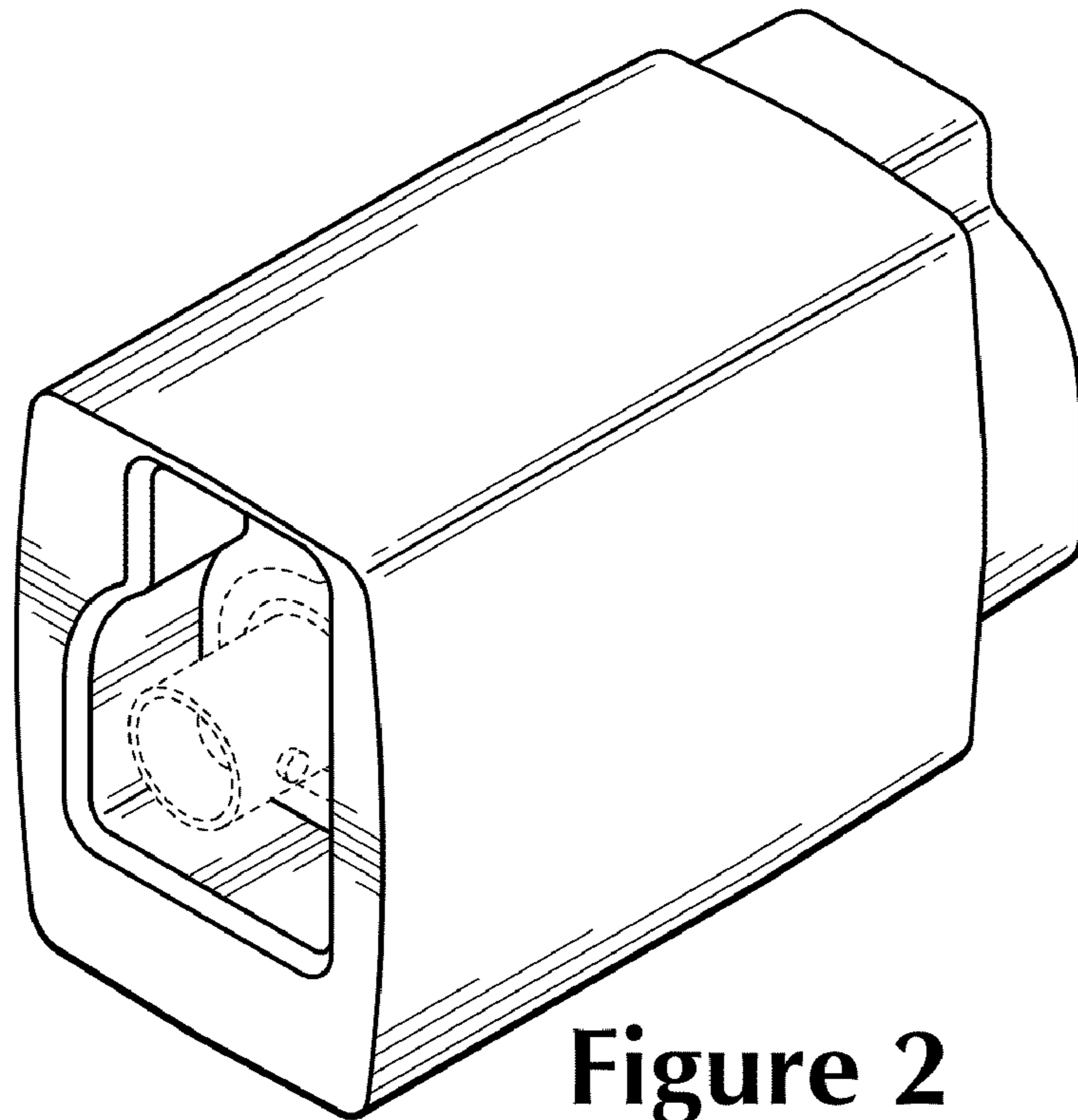


Figure 2

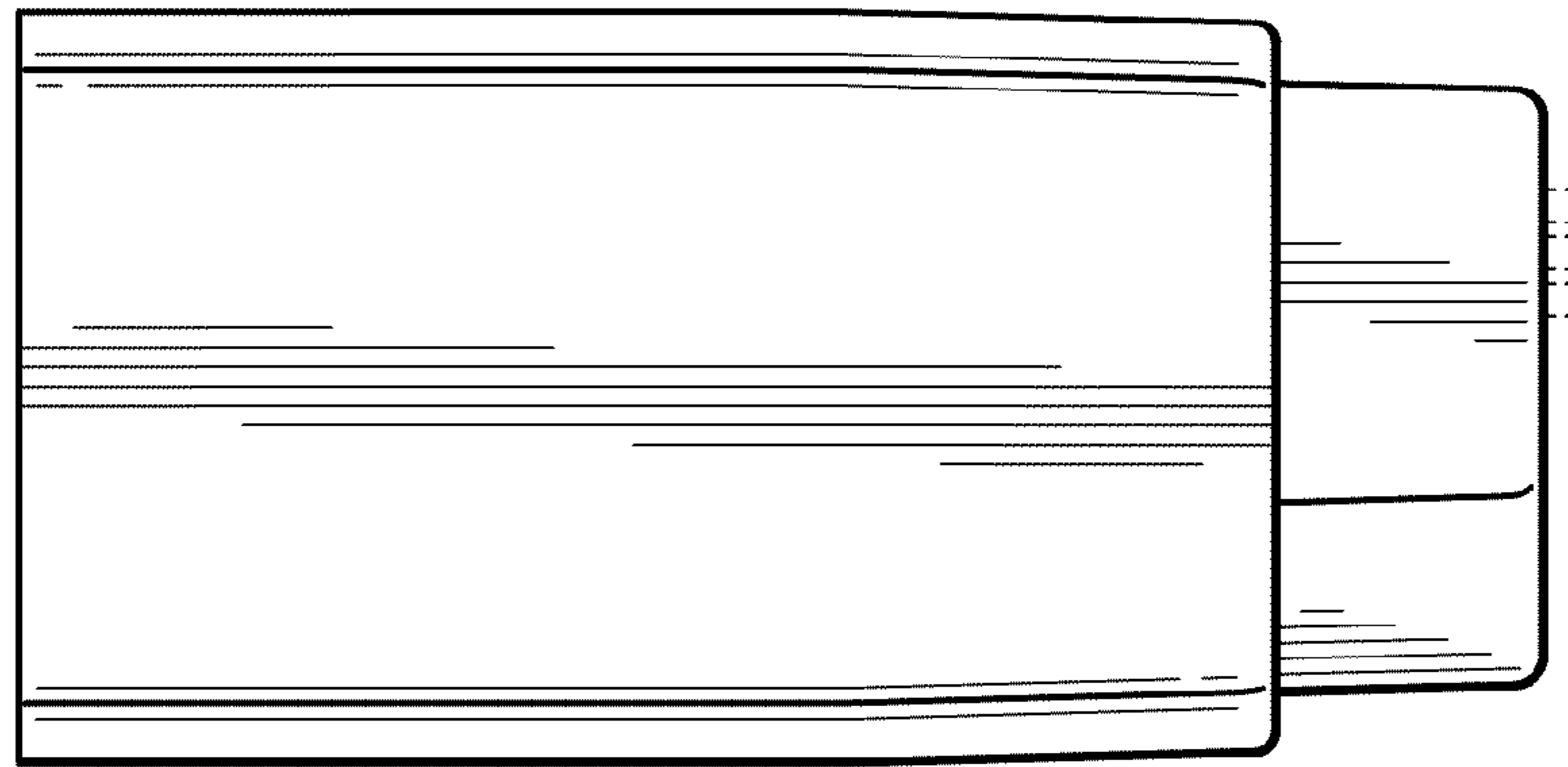


Figure 3

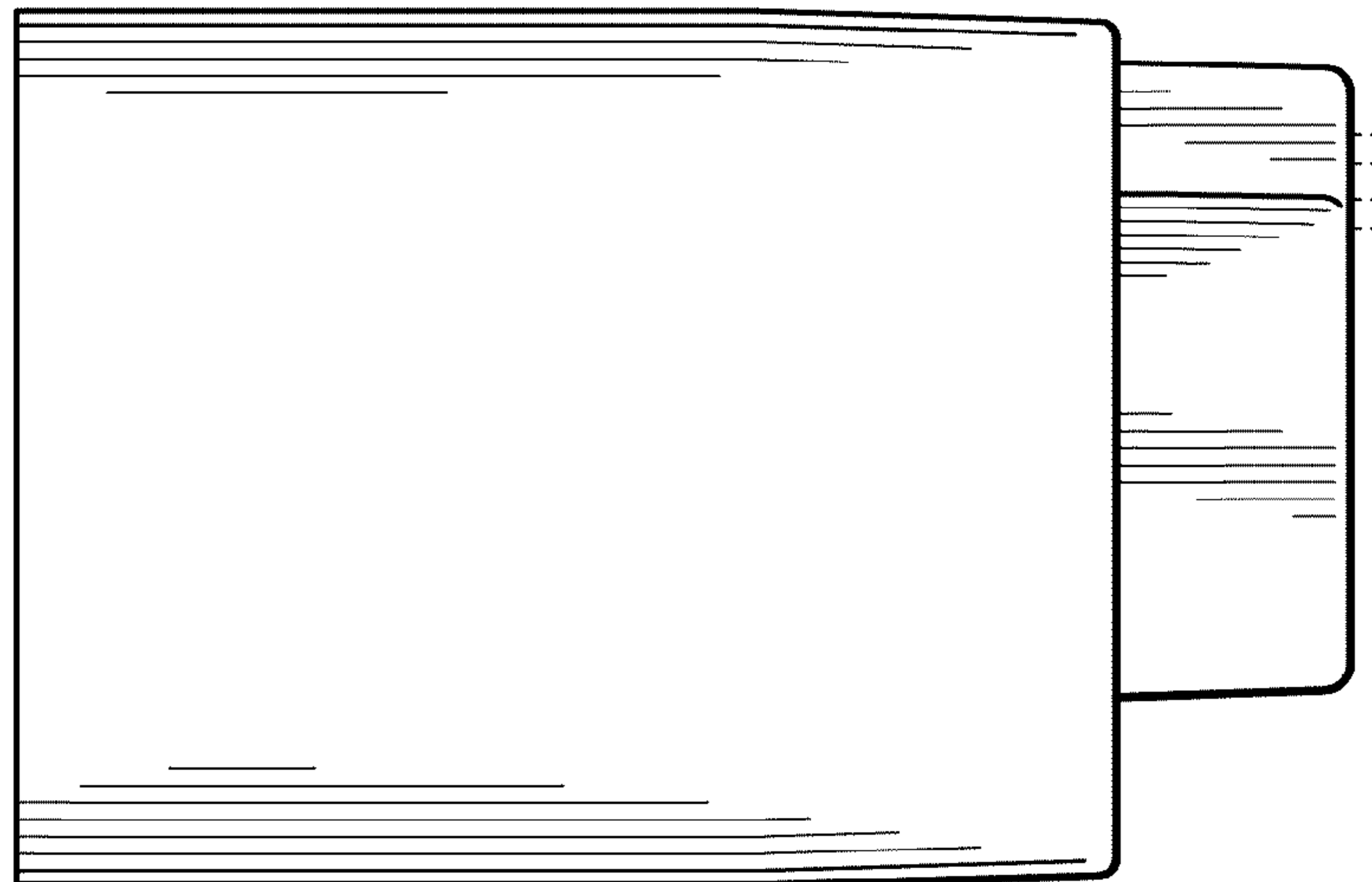


Figure 4

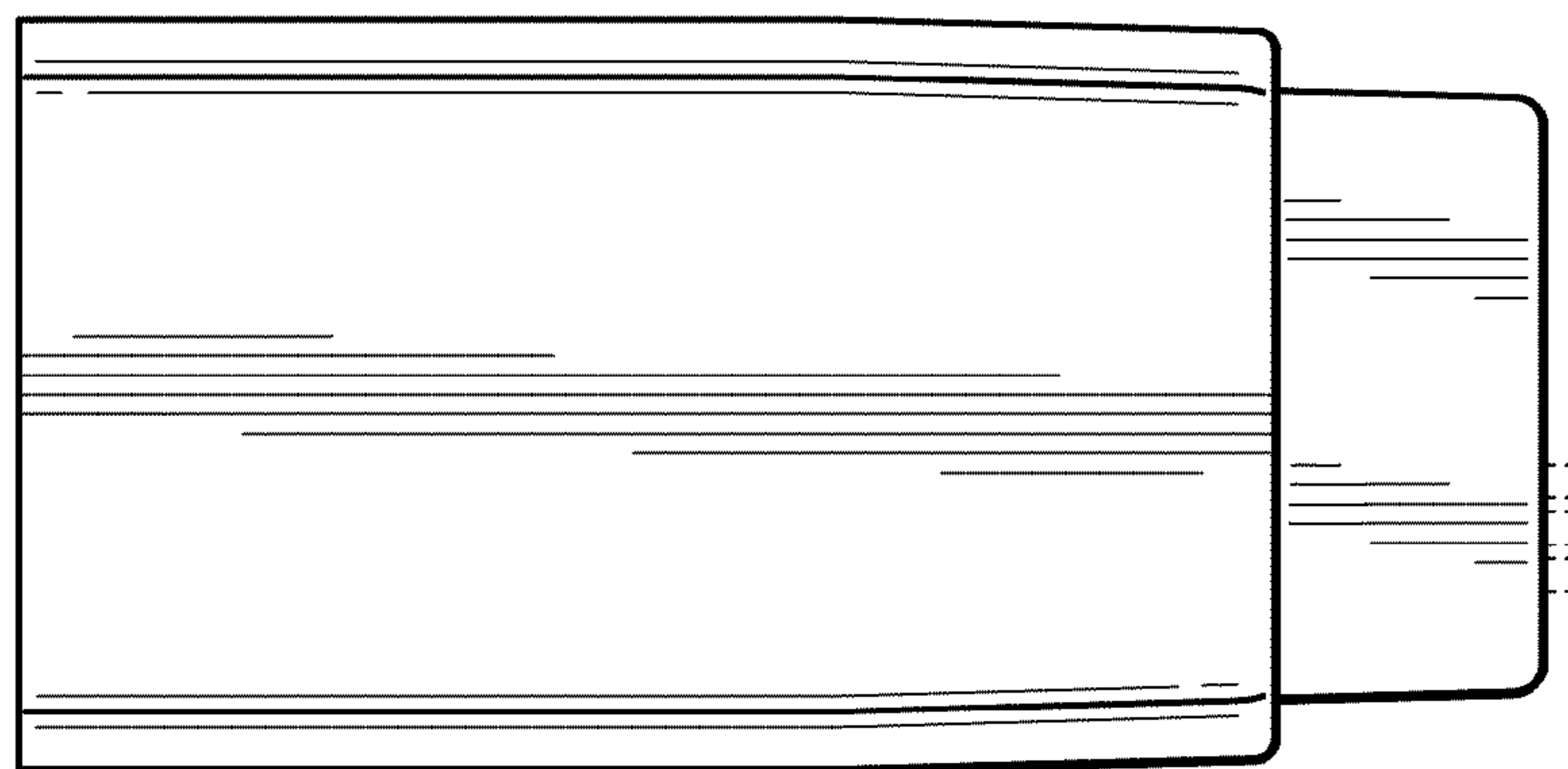


Figure 5

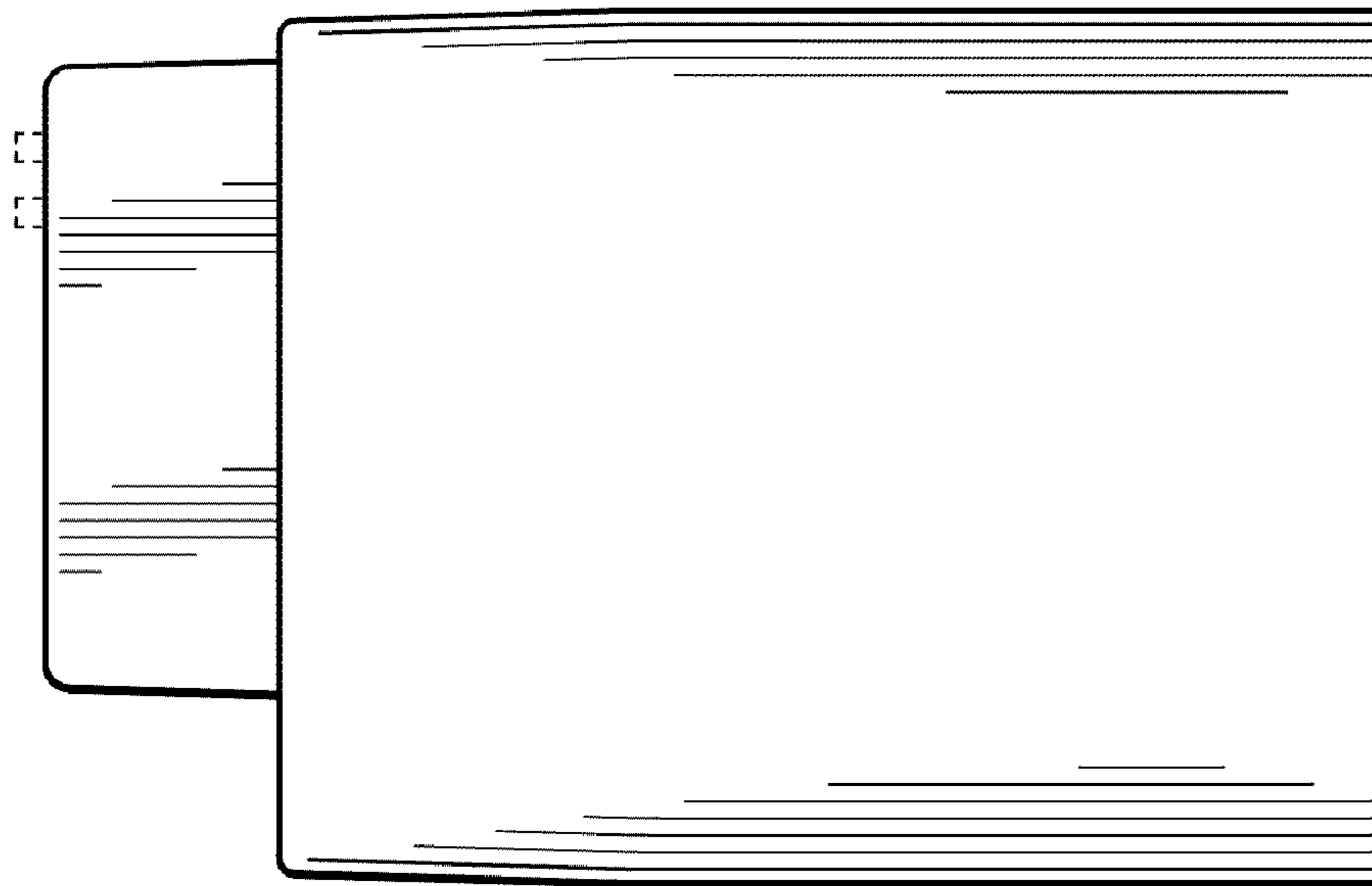


Figure 6

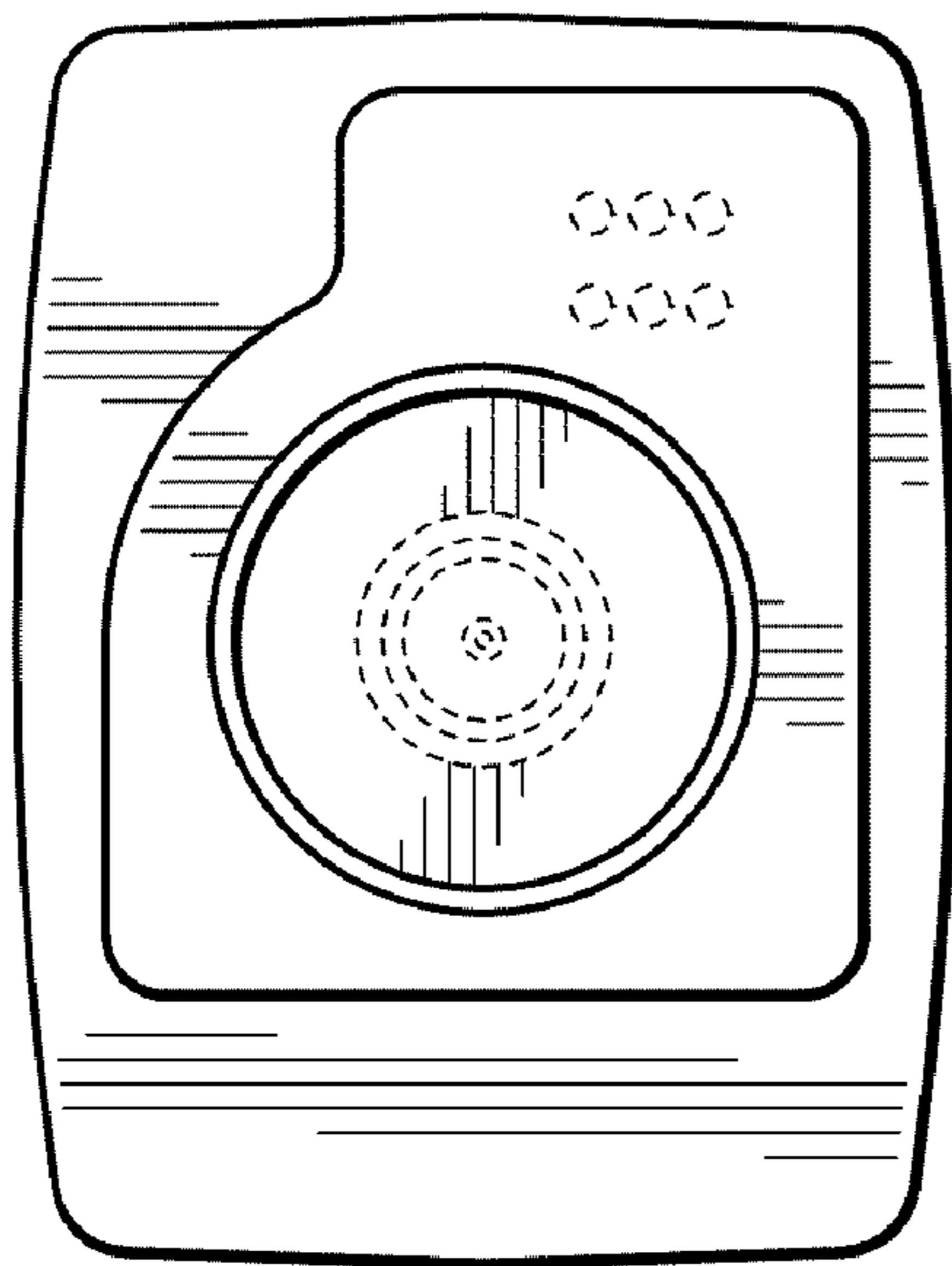


Figure 7

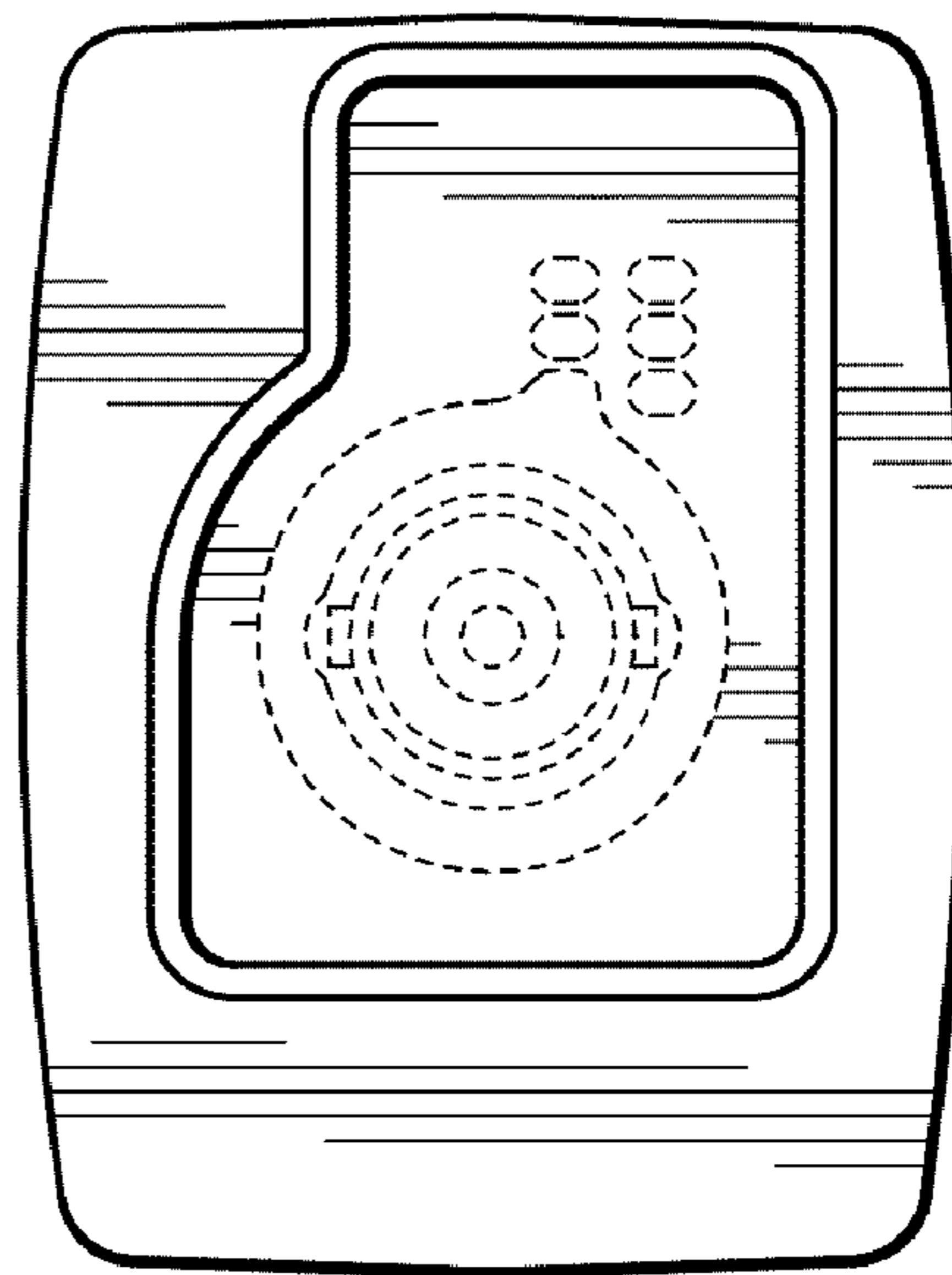


Figure 8