

US00D643840S

(12) **United States Design Patent**  
**Nguyen**

(10) **Patent No.:** **US D643,840 S**

(45) **Date of Patent:** **\*\* Aug. 23, 2011**

(54) **TRACE-TO-TYPE CHARACTER INPUT  
TEMPLATE**

(76) Inventor: **Tin Thanh Nguyen, Richmond (CA)**

(\*\*) Term: **14 Years**

(21) Appl. No.: **29/363,737**

(22) Filed: **Jun. 14, 2010**

(51) **LOC (9) Cl.** ..... **14-02**

(52) **U.S. Cl.** ..... **D14/432**

(58) **Field of Classification Search** ..... D14/388,  
D14/389, 411, 432, 454, 455, 217, 218, 238.1,  
D14/299; D18/14; D19/37-40; D9/737,  
D9/749, 752, 755-760, 424, 427, 429, 455,  
D9/456; 434/162-165; 33/564; 345/156,  
345/173

See application file for complete search history.

(56) **References Cited**

**U.S. PATENT DOCUMENTS**

1,369,470	A *	2/1921	Rian	33/564
2,229,757	A *	1/1941	McEniry	33/564
3,424,110	A *	1/1969	Toot	108/53.3
3,733,468	A *	5/1973	Eberly, Jr.	235/487
3,781,182	A *	12/1973	Friedman	409/130
3,893,243	A *	7/1975	Schuller	33/564
D238,250	S *	12/1975	Sauer, Jr.	D9/756
4,185,392	A *	1/1980	Berkman	33/564
D285,289	S *	8/1986	Wimmer et al.	D10/64
D297,147	S *	8/1988	Allyn	D18/26
4,838,792	A *	6/1989	Hoyeck	434/163
5,214,428	A *	5/1993	Allen	341/20

5,303,312	A *	4/1994	Comerford et al.	382/189
5,516,152	A *	5/1996	Luna	283/45
5,521,986	A *	5/1996	Curtin et al.	382/187
5,707,081	A *	1/1998	Luna	283/45
D416,442	S *	11/1999	Gilchrist	D7/409
6,048,207	A *	4/2000	Goldin	434/163
6,142,783	A *	11/2000	Rocha	434/164
D449,338	S *	10/2001	Lariviere et al.	D19/39
6,321,457	B1 *	11/2001	Lariviere et al.	33/562
6,326,947	B1 *	12/2001	Capps	345/156
6,544,038	B2 *	4/2003	Bentley	434/163
6,816,859	B2 *	11/2004	Goldberg et al.	1/1
7,729,542	B2 *	6/2010	Wobbrock et al.	382/187
D629,687	S *	12/2010	Baker	D9/456

\* cited by examiner

*Primary Examiner* — Cathron Brooks  
*Assistant Examiner* — Deanna Fluegeman

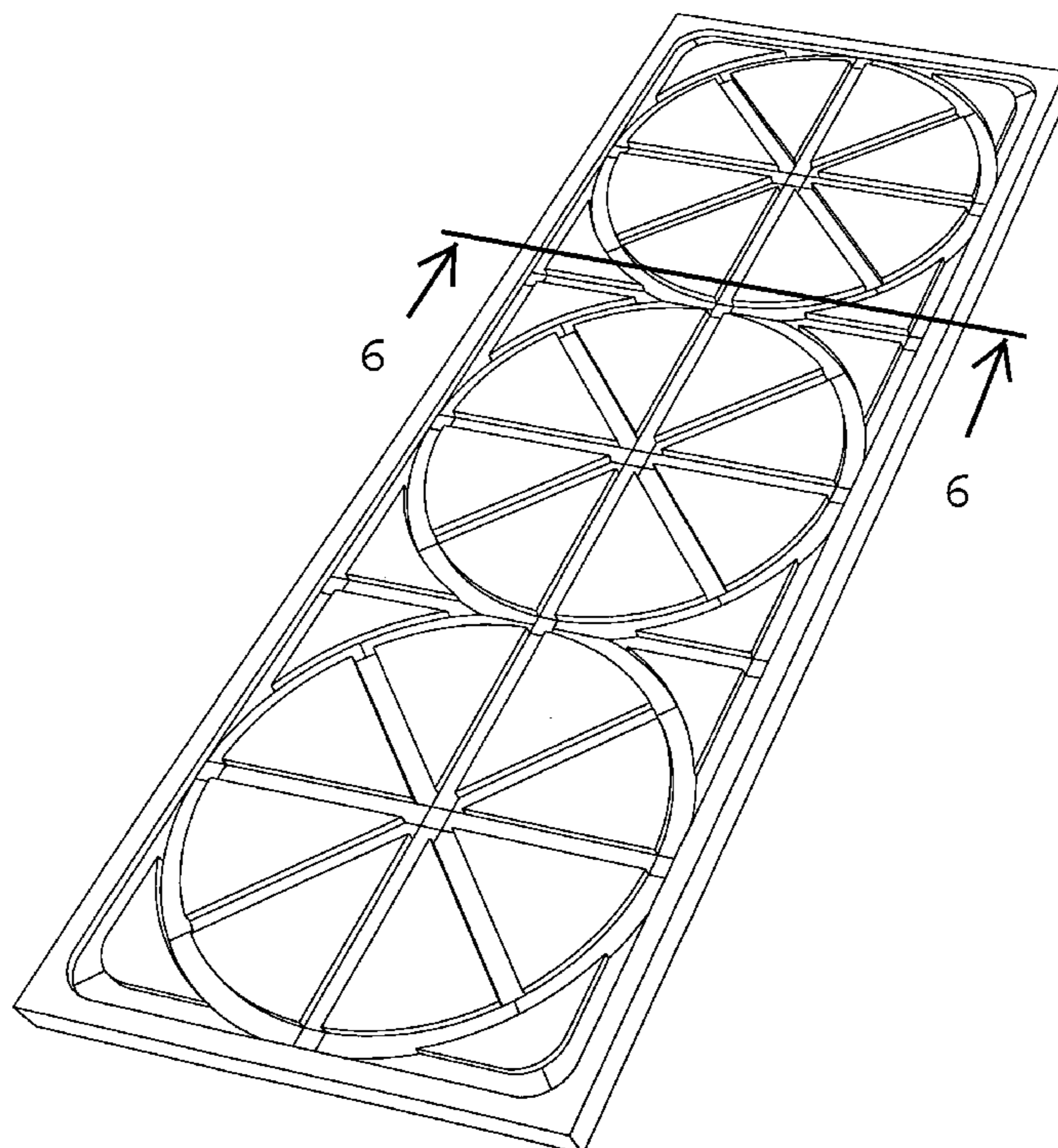
(57) **CLAIM**

What I claim as my invention is the ornamental design for a trace-to-type character input template, as shown.

**DESCRIPTION**

FIG. 1 is a perspective view of trace-to-type character input template showing my design;  
FIG. 2 is a top view thereof;  
FIG. 3 is a bottom view thereof;  
FIG. 4 is a side elevational view, the opposite side being a mirror image thereof;  
FIG. 5 is a front elevational view, the opposite side being a mirror image thereof; and,  
FIG. 6 is a perspective cross-sectional view thereof.

**1 Claim, 5 Drawing Sheets**



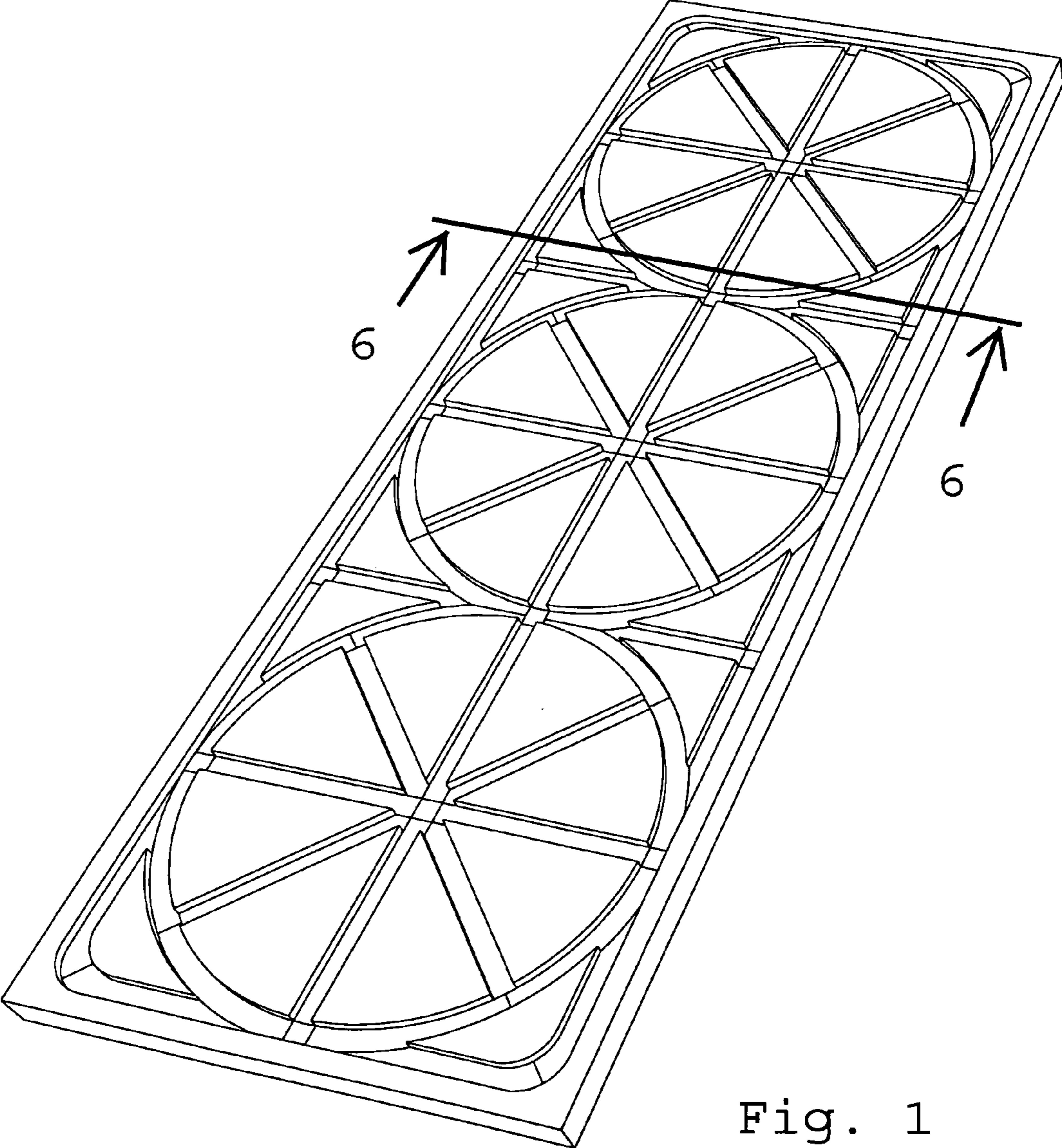


Fig. 1

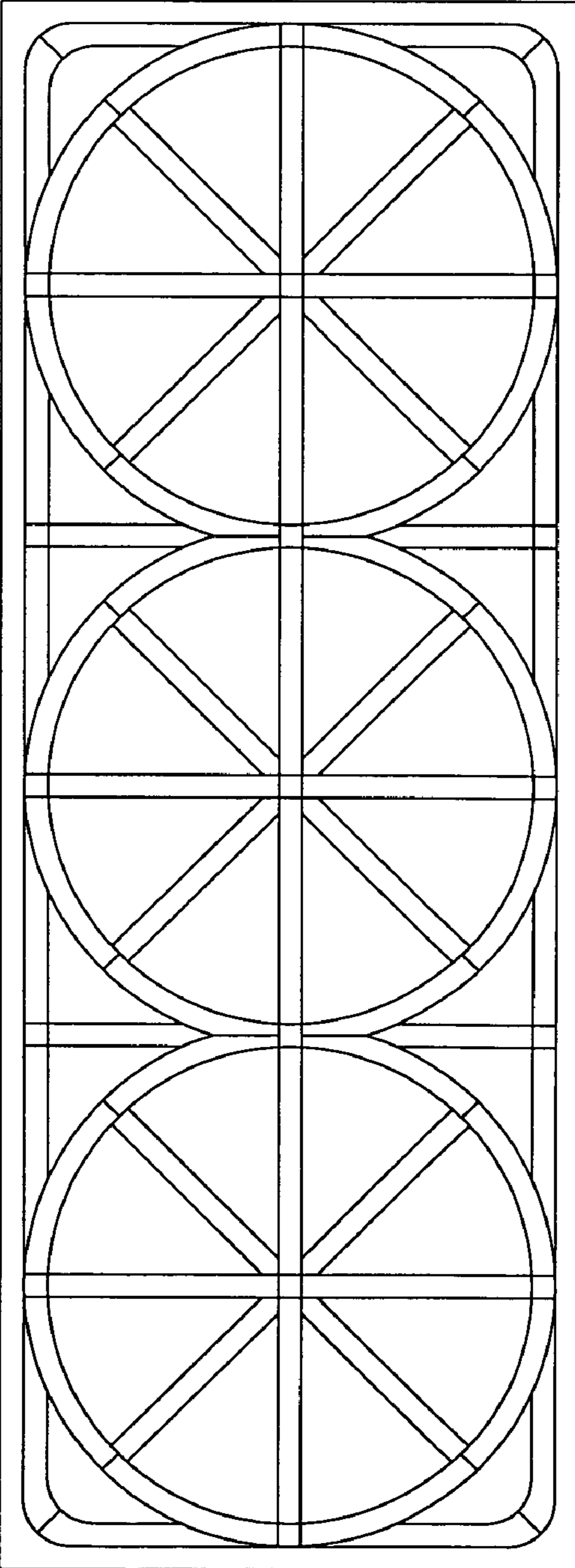


Fig. 2

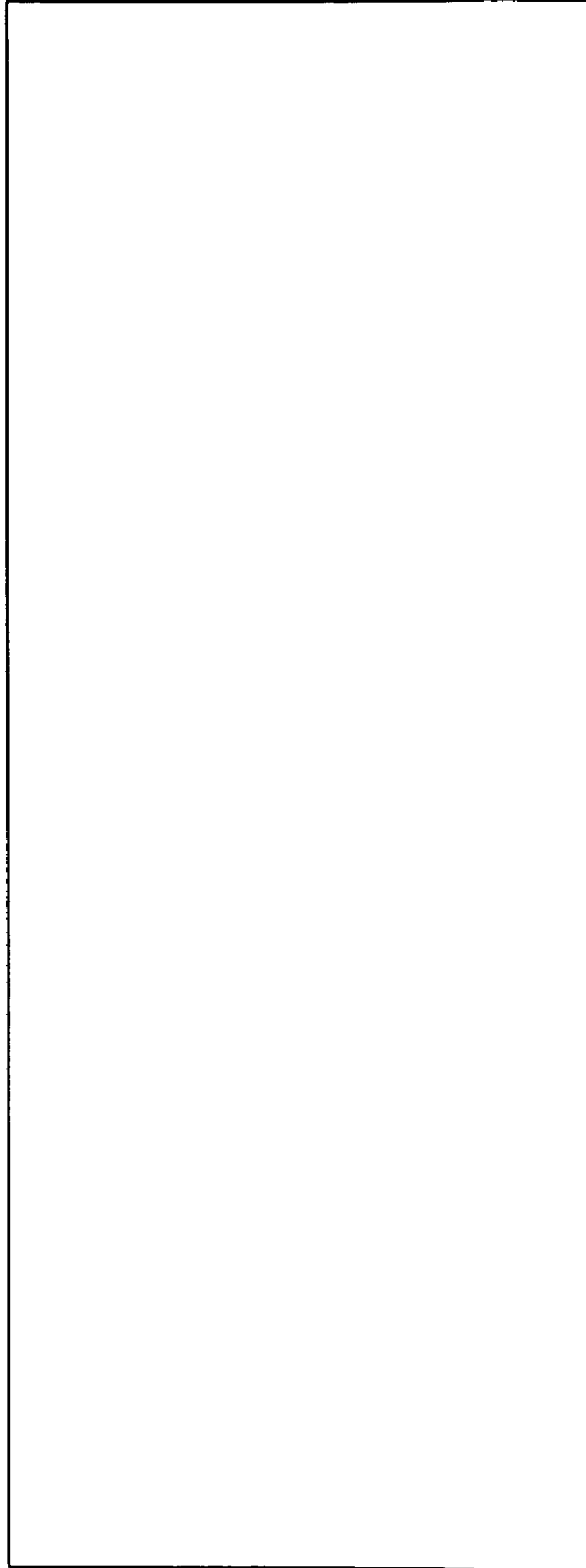


Fig. 3



Fig. 4



Fig. 5

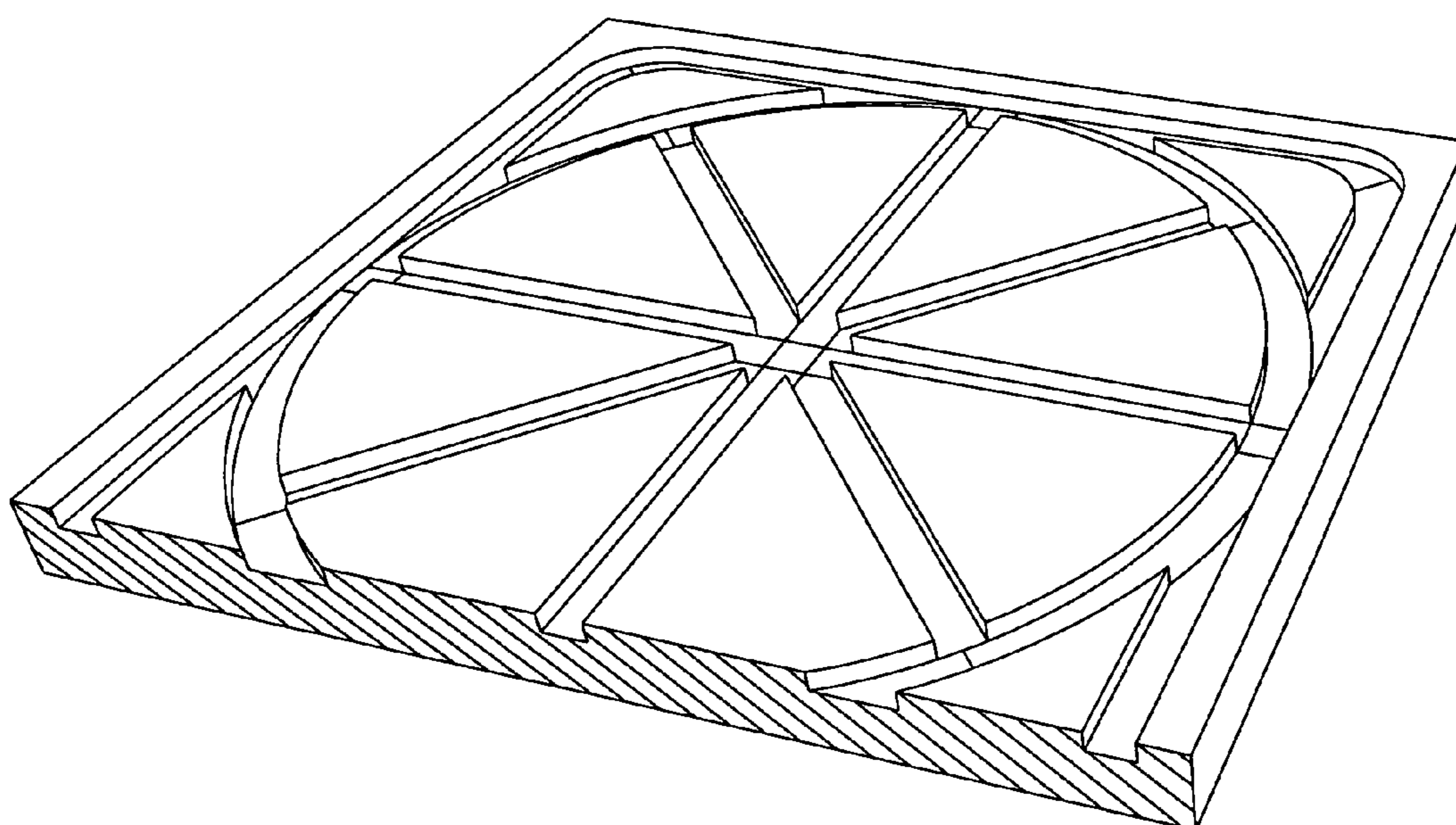


Fig. 6