



US00D643838S

(12) **United States Design Patent**
Miyawaki

(10) **Patent No.:** **US D643,838 S**

(45) **Date of Patent:** **** Aug. 23, 2011**

(54) **CAR AUDIO DEVICE**

Primary Examiner — Nanda Bondade

(75) **Inventor:** **Masayuki Miyawaki**, Chigasaki (JP)

(74) *Attorney, Agent, or Firm* — Scully, Scott, Murphy & Presser, P.C.

(73) **Assignee:** **Clarion Co., Ltd.**, Saitama (JP)

(**) **Term:** **14 Years**

(57) **CLAIM**

(21) **Appl. No.:** **29/376,137**

The ornamental design for a car audio device, as shown and described.

(22) **Filed:** **Oct. 1, 2010**

(30) **Foreign Application Priority Data**

DESCRIPTION

Apr. 2, 2010 (JP) 2010-008439

(51) **LOC (9) Cl.** **14-01**

(52) **U.S. Cl.** **D14/258**

(58) **Field of Classification Search** D14/496,
D14/498-508, 157, 167-168, 188, 197-198,
D14/257, 258; 360/99.02, 99.07; 369/75.11,
369/75.21, 77.11, 77.21; 720/601, 612, 619,
720/649, 655; 455/344, 347-351

See application file for complete search history.

FIG. 1 is a top, front and right side perspective view of a car audio device showing my new design.

FIG. 2 is a front view thereof;

FIG. 3 is a rear view thereof;

FIG. 4 is a left view thereof;

FIG. 5 is a right view thereof;

FIG. 6 is a top view thereof;

FIG. 7 is a bottom view thereof;

FIG. 8 is a sectional view thereof along line 8-8 in FIG. 2;

FIG. 9 is a sectional view thereof along line 9-9 in FIG. 2;

FIG. 10 is a top, front and right side perspective view thereof with a slide cover element of the design in an open position; and,

FIG. 11 is a front view thereof showing the slide cover element of the design in the open position.

The portions of the drawings shown in broken lines are for illustrative purposes only and form no part of the claimed design.

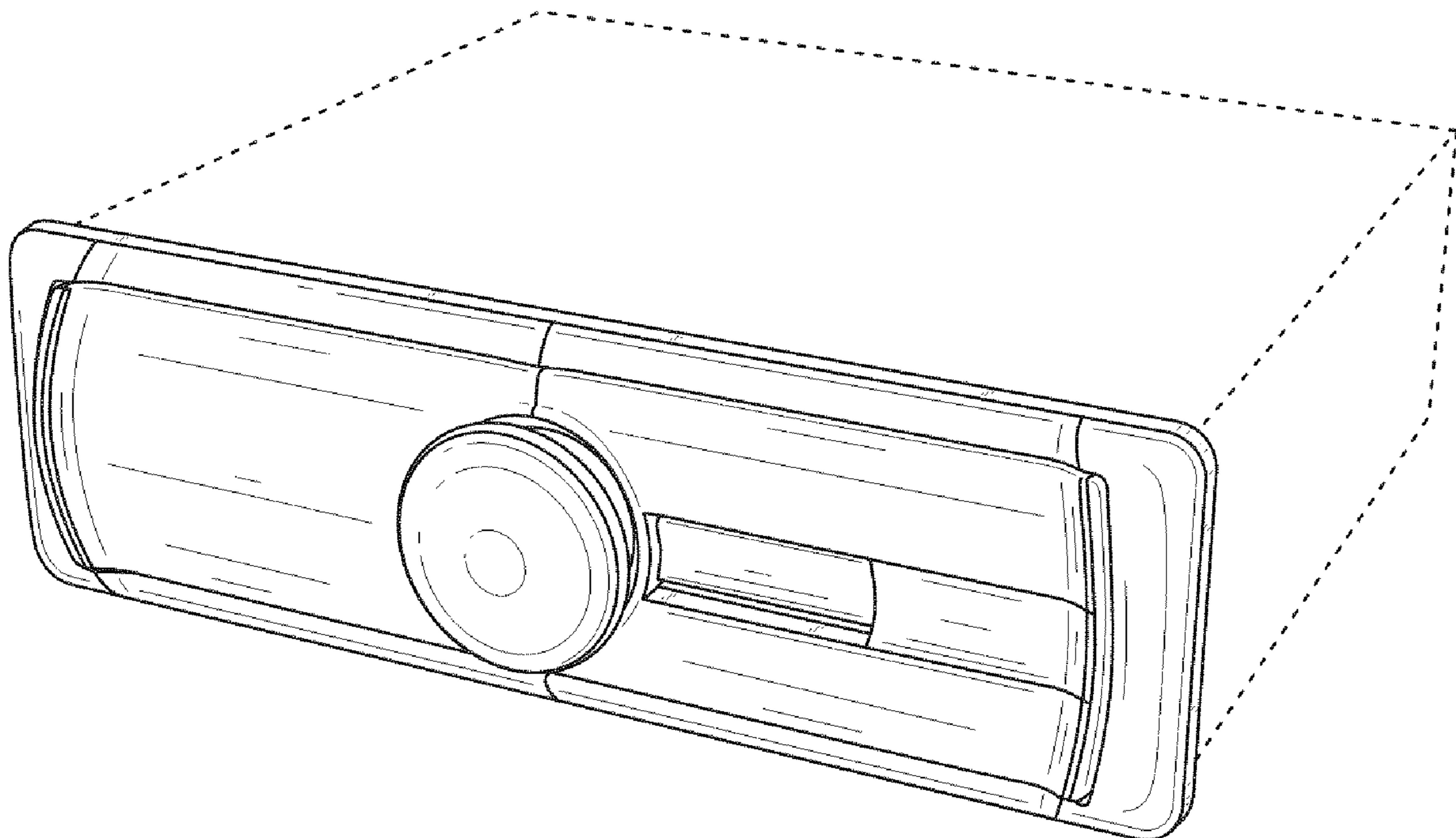
(56) **References Cited**

U.S. PATENT DOCUMENTS

5,848,042 A * 12/1998 Takahashi et al. 720/647
D438,520 S * 3/2001 Nose et al. D14/505
D479,525 S * 9/2003 Nara D14/258
D538,255 S * 3/2007 Matsuoka D14/506
D557,694 S * 12/2007 Bey et al. D14/257
D581,919 S * 12/2008 Kim D14/257

* cited by examiner

1 Claim, 5 Drawing Sheets



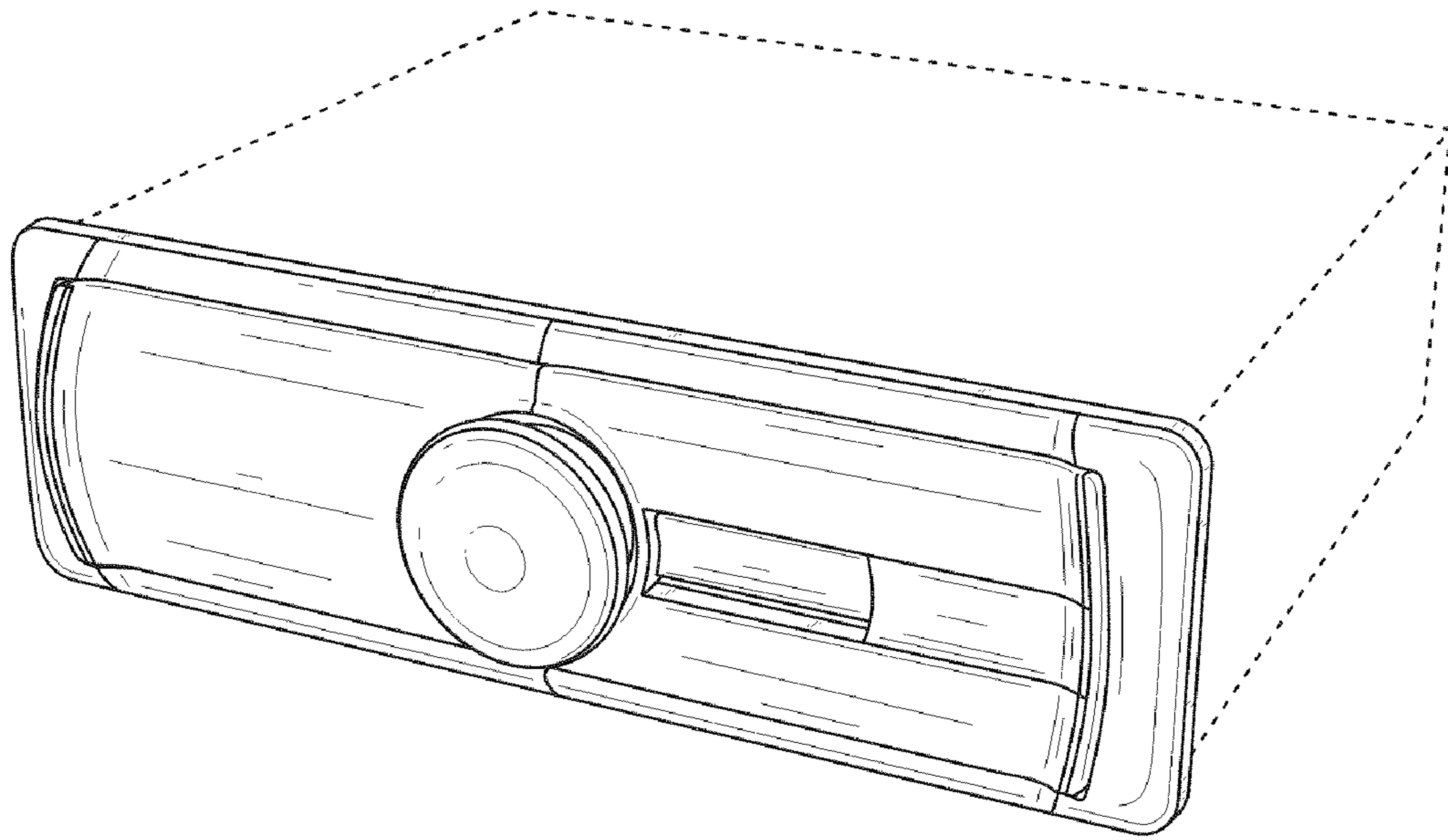


FIG. 1

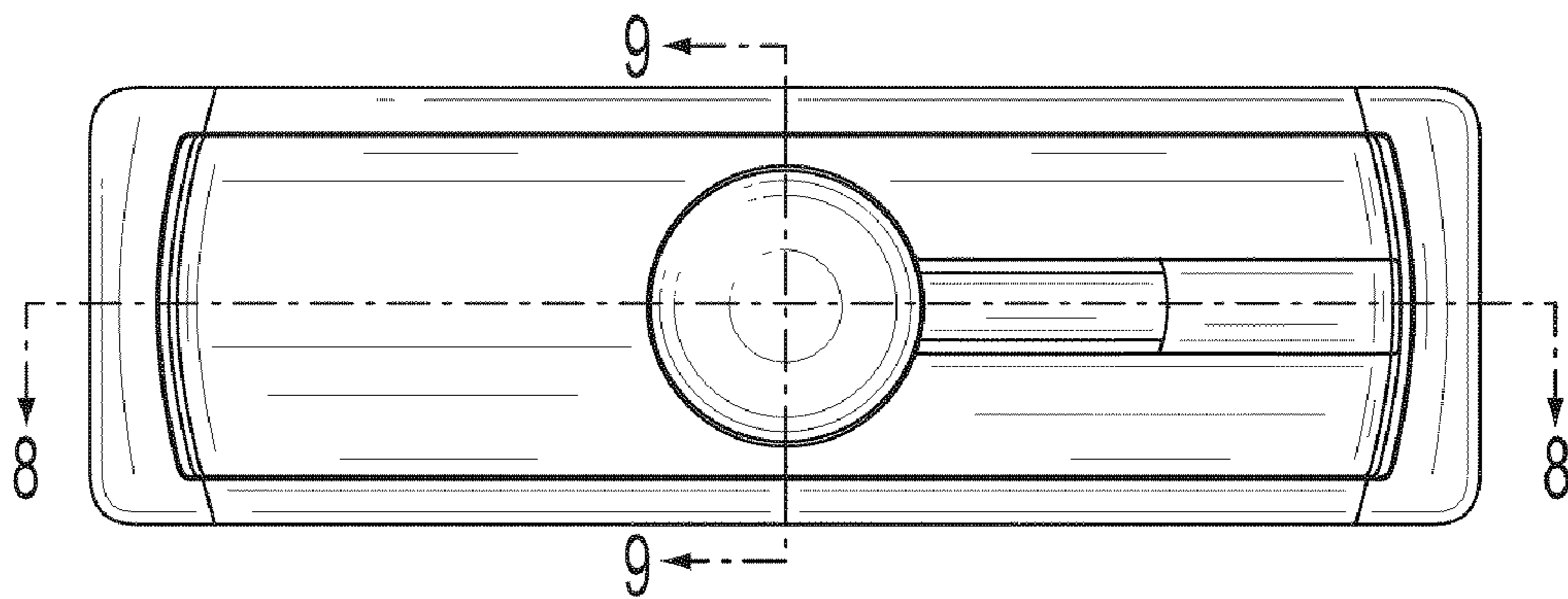


FIG. 2

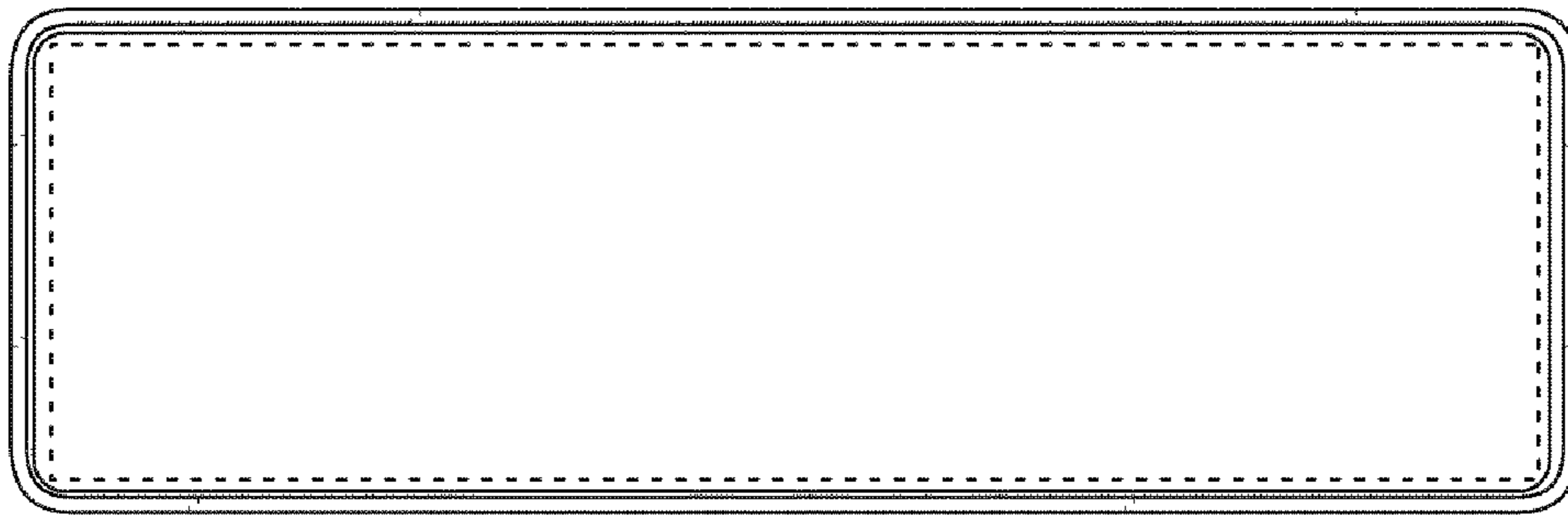


FIG. 3



FIG. 4



FIG. 5

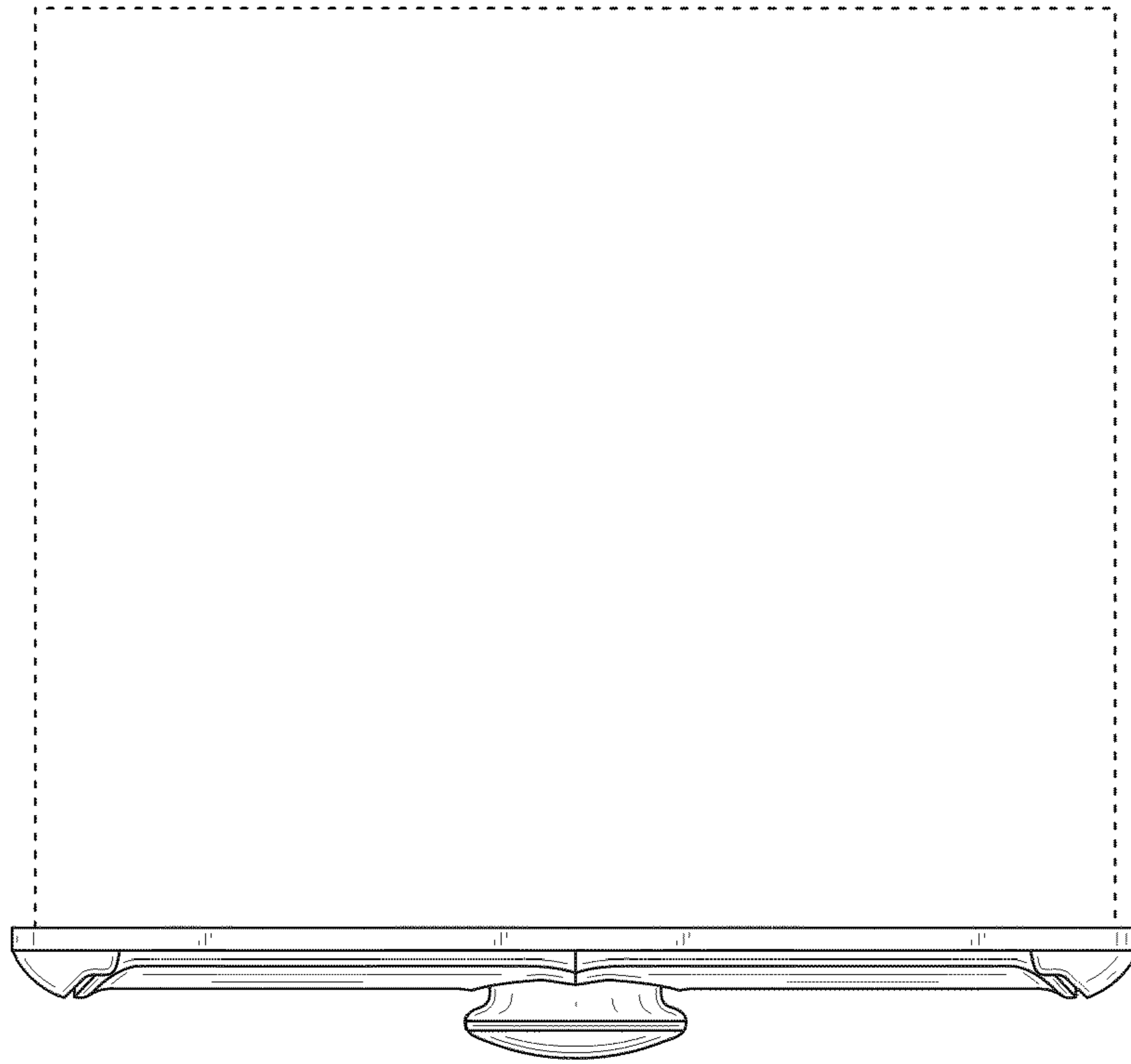


FIG. 6

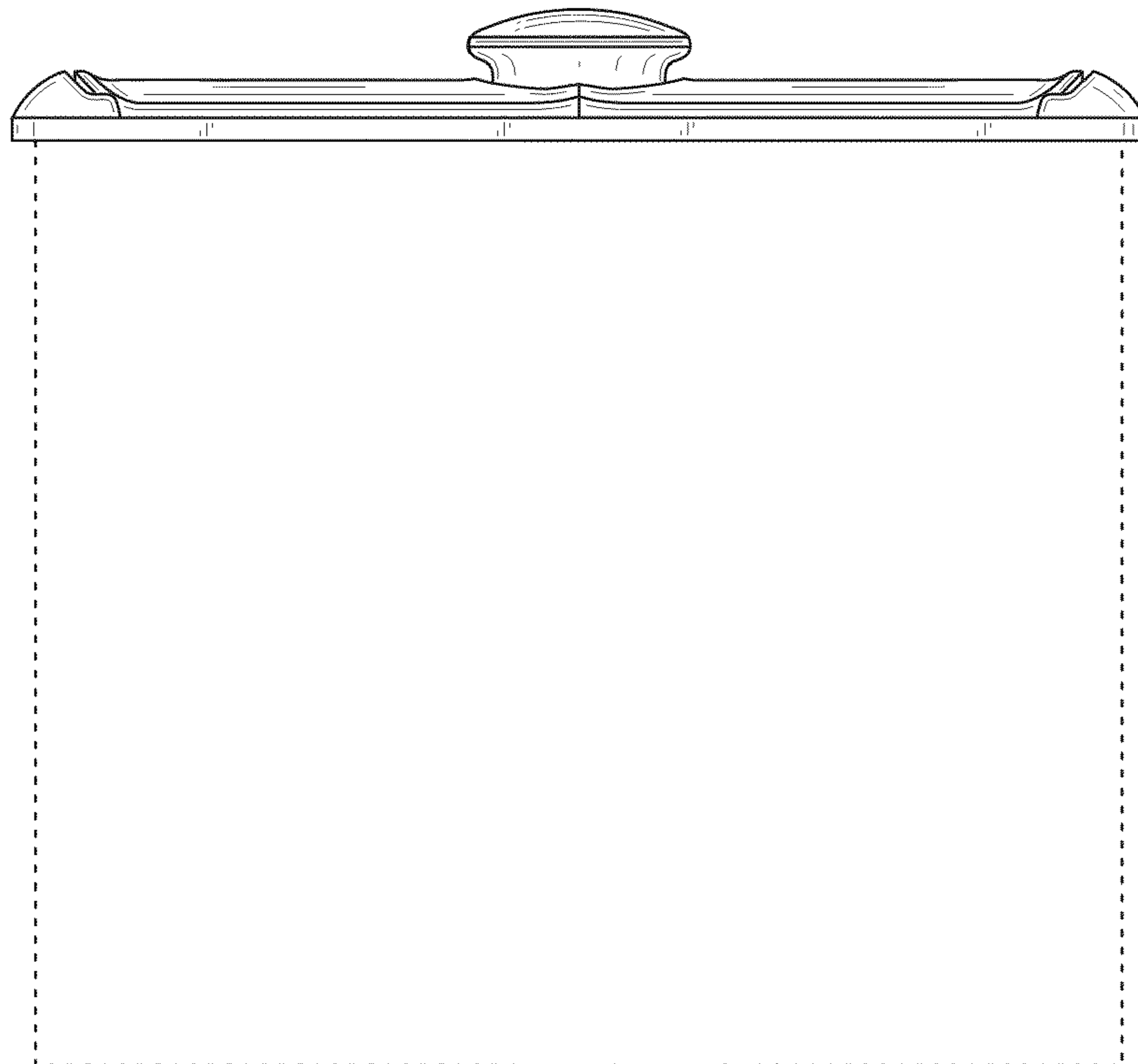


FIG. 7

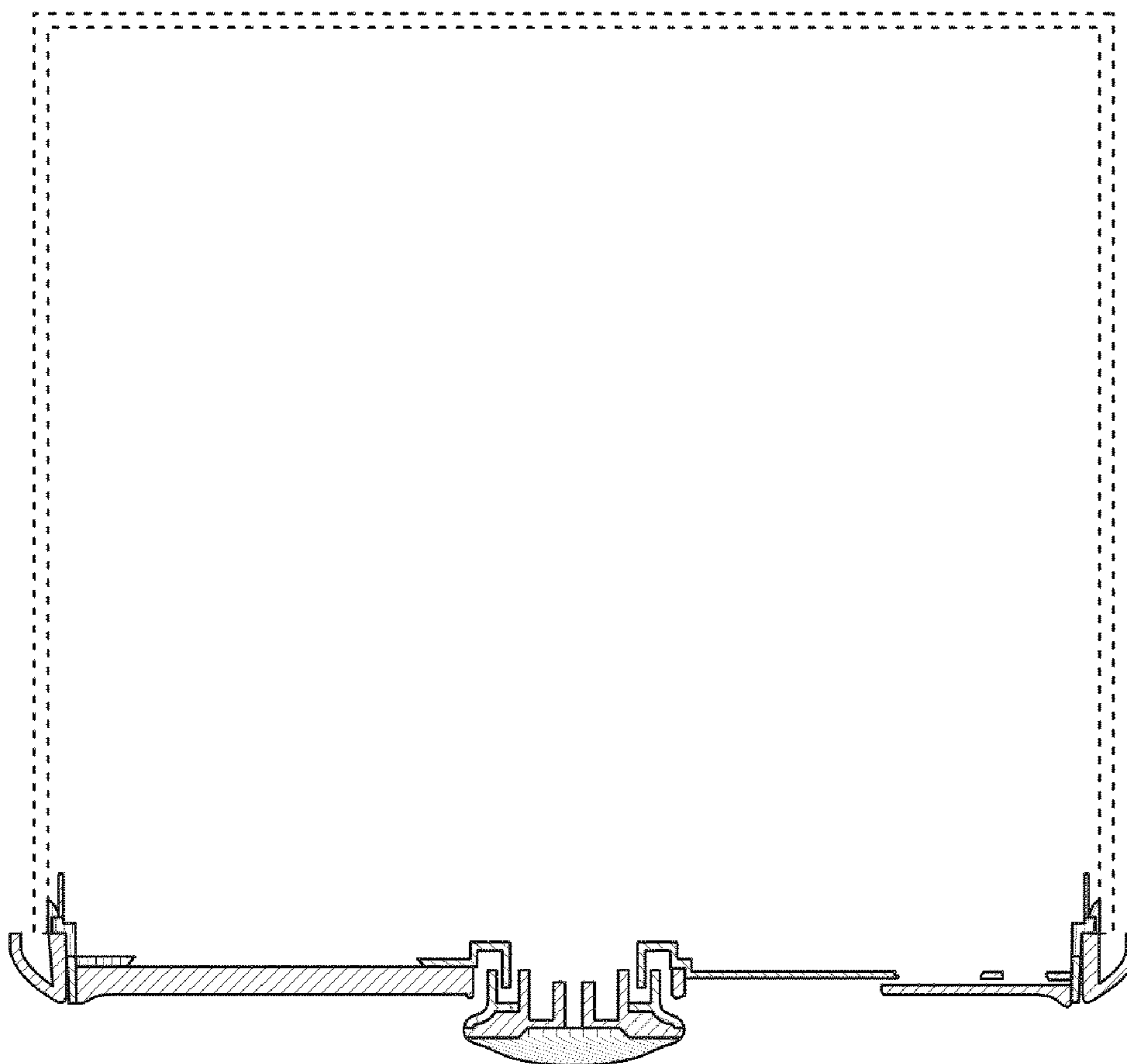


FIG. 8



FIG. 9

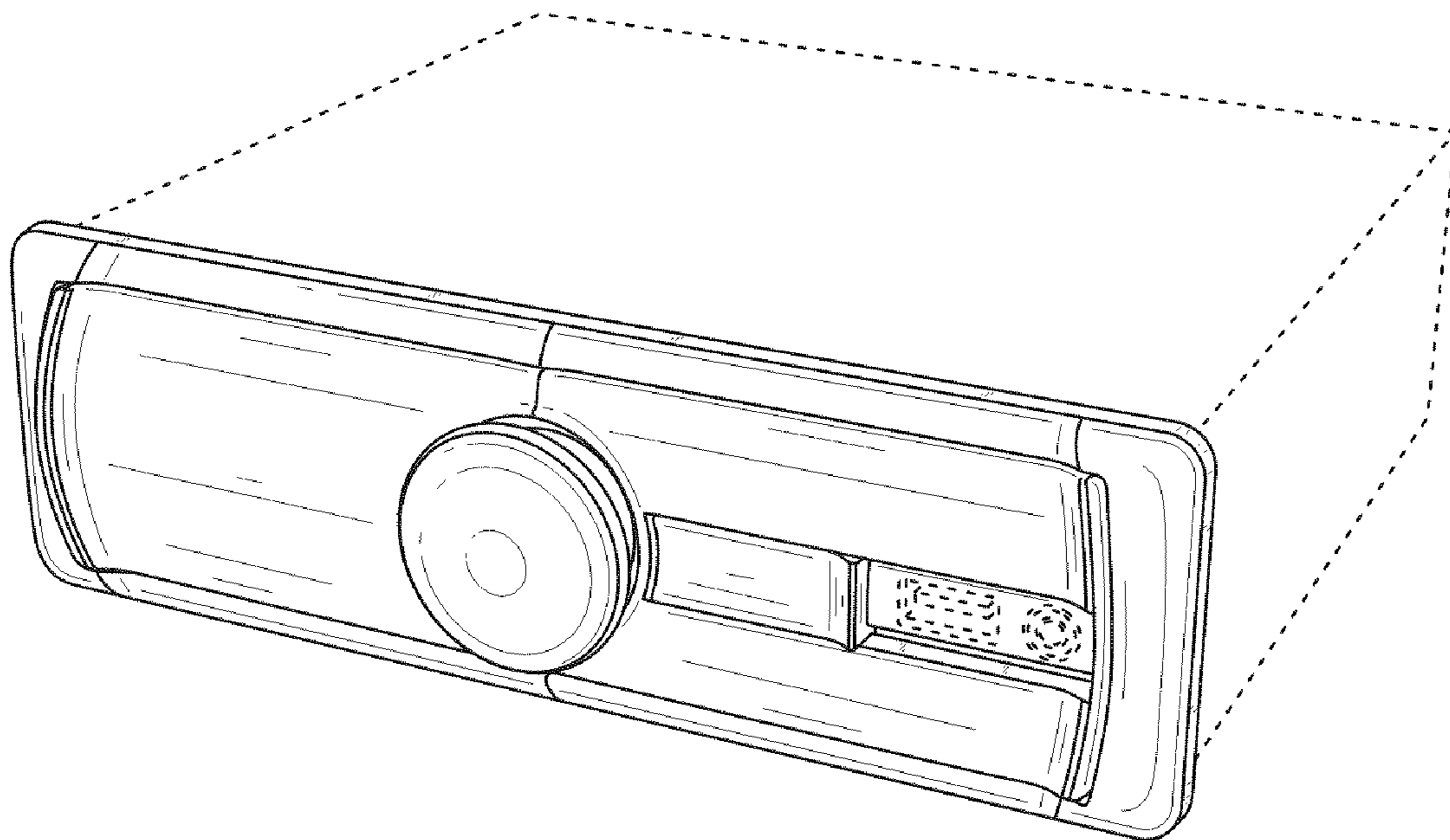


FIG. 10

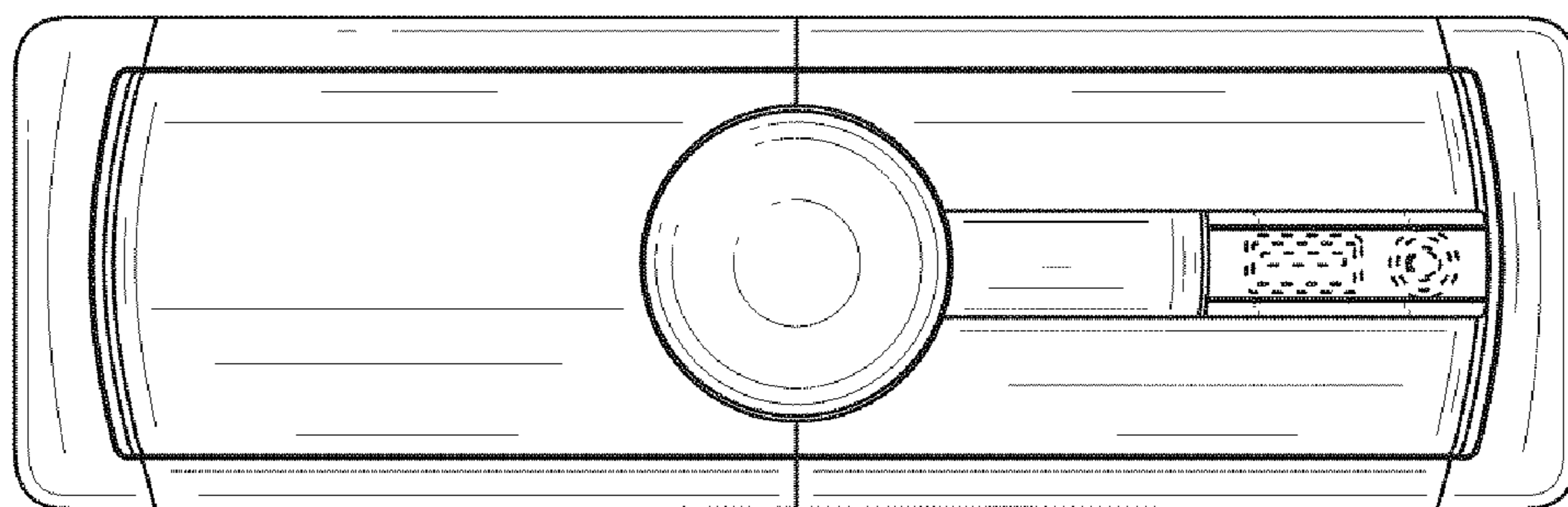


FIG. 11