



US00D643835S

(12) **United States Design Patent**
Molter et al.

(10) **Patent No.:** **US D643,835 S**
(45) **Date of Patent:** **** Aug. 23, 2011**

(54) **ARTICULATING MOUNTING UNIT FOR AUDIO/VISUAL DEVICES OR THE LIKE**

(75) Inventors: **Daniel E. Molter**, Elmhurst, IL (US);
Donald L. Anderson, Oak Park, IL (US); **Nicanor C. Rancho**, Willowbrook, IL (US)

(73) Assignee: **Peerless Industries, Inc.**, Aurora, IL (US)

(**) Term: **14 Years**

(21) Appl. No.: **29/385,534**

(22) Filed: **Feb. 15, 2011**

Related U.S. Application Data

(62) Division of application No. 29/358,109, filed on Mar. 23, 2010, now Pat. No. Des. 634,739.

(51) **LOC (9) Cl.** **14-03**

(52) **U.S. Cl.** **D14/239**

(58) **Field of Classification Search** D14/125-134, D14/239, 371, 136, 374-377; D8/363, 373, D8/349, 394; 248/465, 917-924, 123.11; 348/825, 827, 836, 837, 838, 180, 184, 325, 348/739; 600/443; D6/477-479, 407, 474, D6/460, 461, 468; 312/7.2; 341/12; 345/87, 345/104, 133, 156, 168, 169, 173; 720/605, 720/669, 600, 655; 369/99, 197; 455/344-347; 349/1, 2, 11, 62; 108/59, 91, 92, 96; 211/40, 211/41.12, 42, 49.1, 50, 85.2, 90.04, 187, 211/190, 119.003, 134.153, 87.01, 71.01

See application file for complete search history.

(56) **References Cited**

U.S. PATENT DOCUMENTS

D271,937 S 12/1983 Combs
D292,771 S 11/1987 Kim
D387,964 S 12/1997 Urvoy
D400,430 S 11/1998 McDonough et al.
6,079,298 A 6/2000 Gasperi et al.

6,138,531 A 10/2000 Lamons
D470,369 S 2/2003 Byram et al.
D472,947 S 4/2003 Wu
D488,708 S 4/2004 Lam et al.
D489,599 S 5/2004 Lam
D496,367 S 9/2004 Pfister
D496,845 S 10/2004 Smeja et al.
D505,858 S 6/2005 O'Keene
6,905,101 B1 6/2005 Dittmer
D507,477 S 7/2005 Pfister
7,240,527 B2 7/2007 Boyd
7,243,892 B2 7/2007 Pfister
D549,558 S 8/2007 Dittmer et al.
D556,205 S 11/2007 Wohlford et al.

(Continued)

OTHER PUBLICATIONS

U.S. Appl. No. 29/358,110, filed Mar. 23, 2010, Molter et al.

(Continued)

Primary Examiner — Raphael Barkai

Assistant Examiner — Randall Gholson

(74) *Attorney, Agent, or Firm* — Foley & Lardner LLP

(57) **CLAIM**

We claim the ornamental design for an articulating mounting unit for audio/visual devices or the like, as shown and described.

DESCRIPTION

FIG. 1 is a top perspective view of an articulating mounting unit for audio/visual devices or the like showing our new design;

FIG. 2 is a bottom perspective view thereof;

FIG. 3 is a right side elevational view thereof;

FIG. 4 is a left side elevational view thereof;

FIG. 5 is a front elevational view thereof;

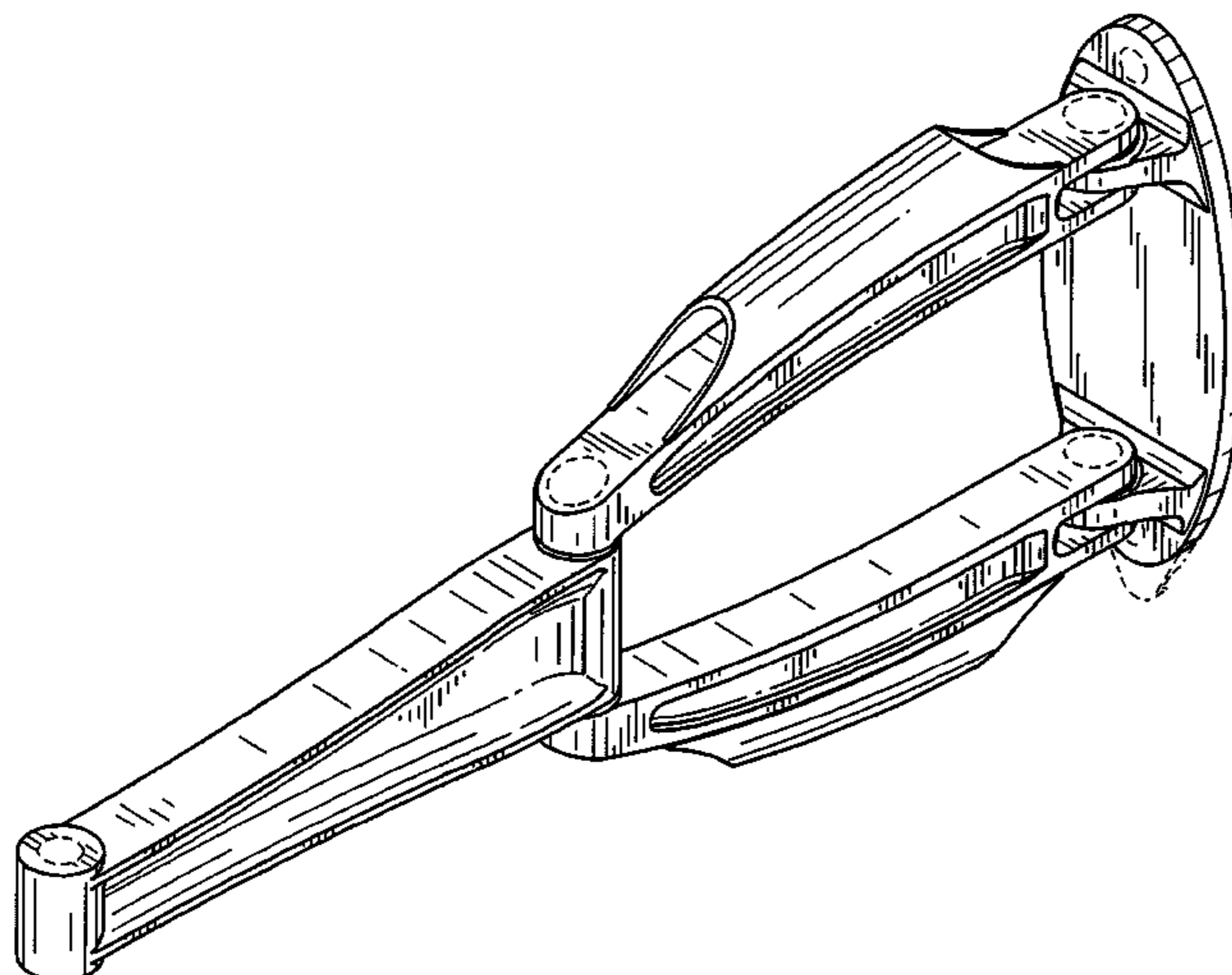
FIG. 6 is a rear elevational view thereof;

FIG. 7 is a top plan view thereof; and,

FIG. 8 is a bottom plan view thereof.

The broken lines shown are for illustrative purposes only and form no part of the claimed design.

1 Claim, 6 Drawing Sheets



US D643,835 S

Page 2

U.S. PATENT DOCUMENTS

D558,560 S	1/2008	Ciungan	7,513,469 B1	4/2009	Ciungan
D558,561 S	1/2008	Ciungan	D595,723 S	7/2009	Bures et al.
D558,562 S	1/2008	Ciungan et al.	D605,185 S	12/2009	Russell et al.
D558,563 S	1/2008	Ciungan	7,641,163 B2	1/2010	O'Keene
D558,564 S	1/2008	Ciungan	D623,177 S	9/2010	Molter et al.
D559,087 S	1/2008	Ciungan	D623,635 S	9/2010	Molter et al.
D559,088 S	1/2008	Ciungan	D627,767 S	11/2010	Molter et al.
D559,662 S	1/2008	Sculler et al.	D630,197 S	1/2011	Molter et al.
D562,113 S	2/2008	Ciungan et al.	D630,623 S	1/2011	Molter et al.
D568,890 S	5/2008	Sculler et al.	D631,038 S	1/2011	Molter et al.
7,380,760 B2	6/2008	Dittmer	D631,874 S	2/2011	Molter et al.
7,387,286 B2	6/2008	Dittmer et al.	D632,287 S	2/2011	Molter et al.
7,438,269 B2	10/2008	Pfister et al.	2008/0151483 A1	6/2008	Holbrook et al.
7,448,300 B2	11/2008	Barniak, Jr.			
7,487,943 B1	2/2009	Gillespie			

OTHER PUBLICATIONS

U.S. Appl. No. 29/358,109, filed Mar. 23, 2010, Molter et al.

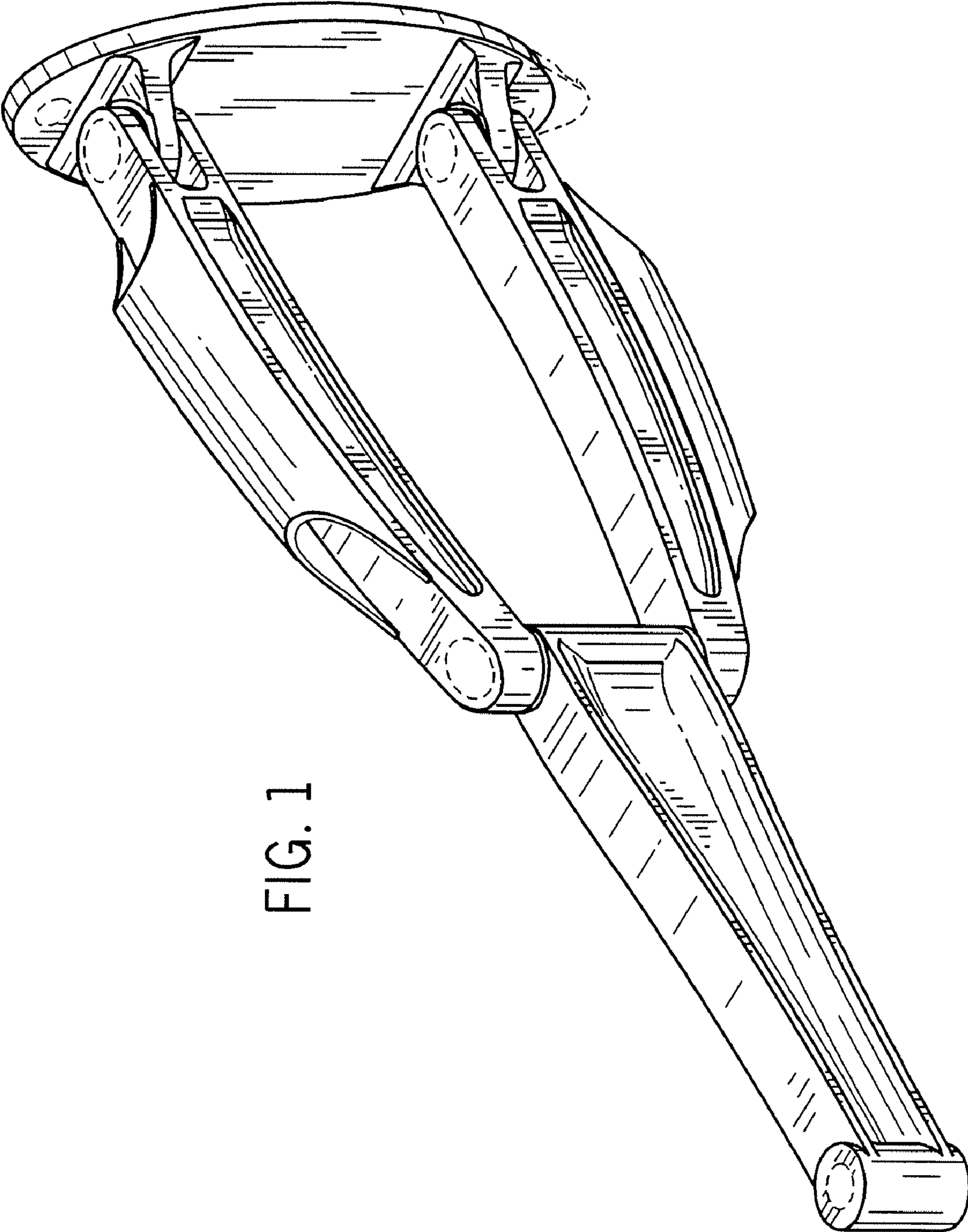


FIG. 1

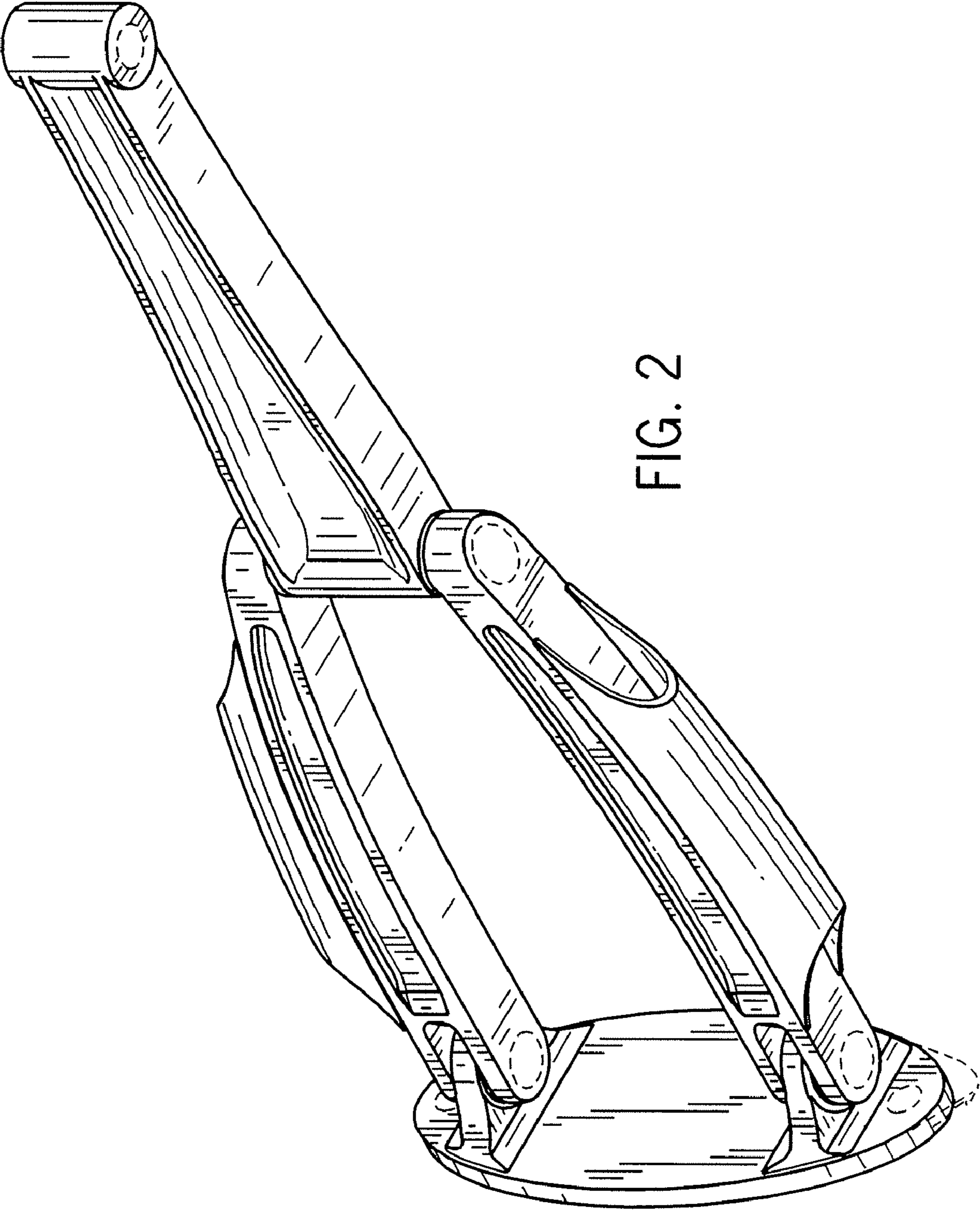


FIG. 2

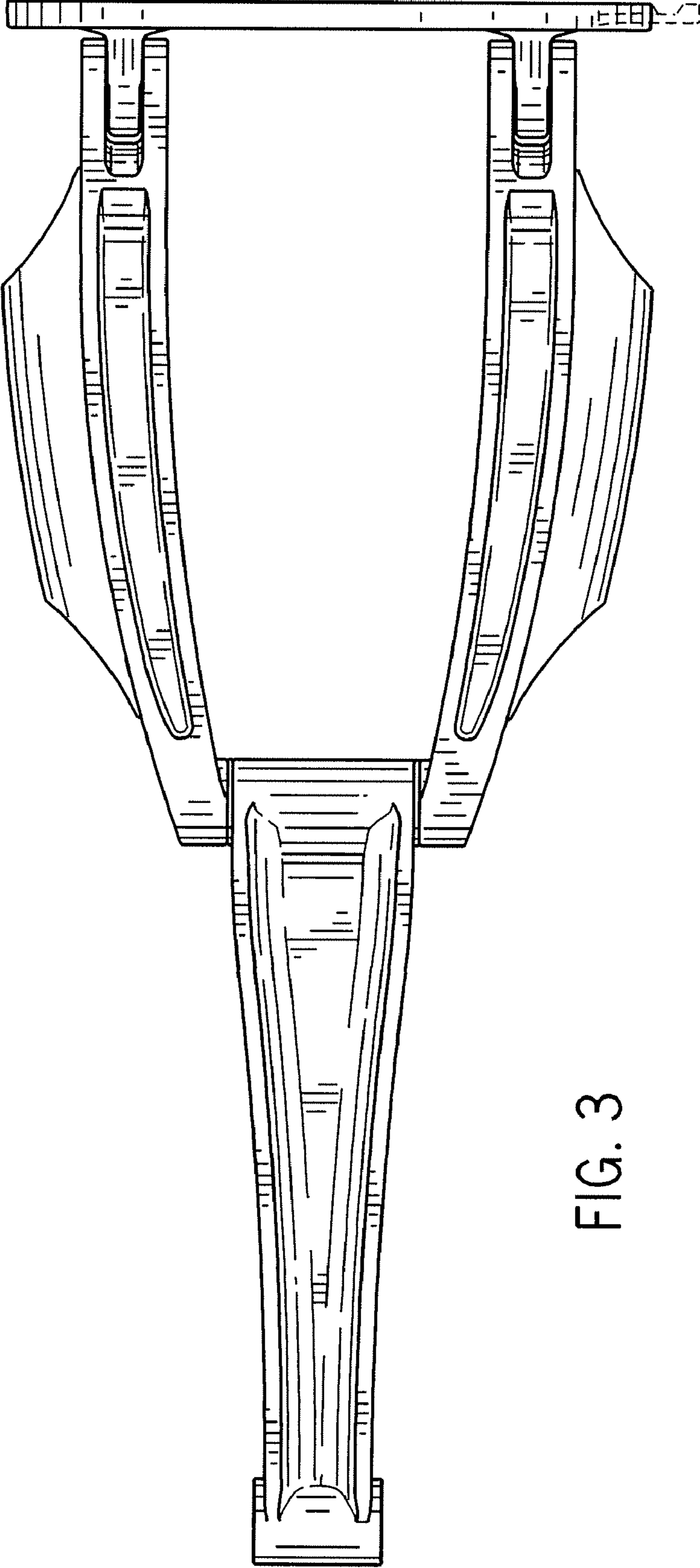


FIG. 3

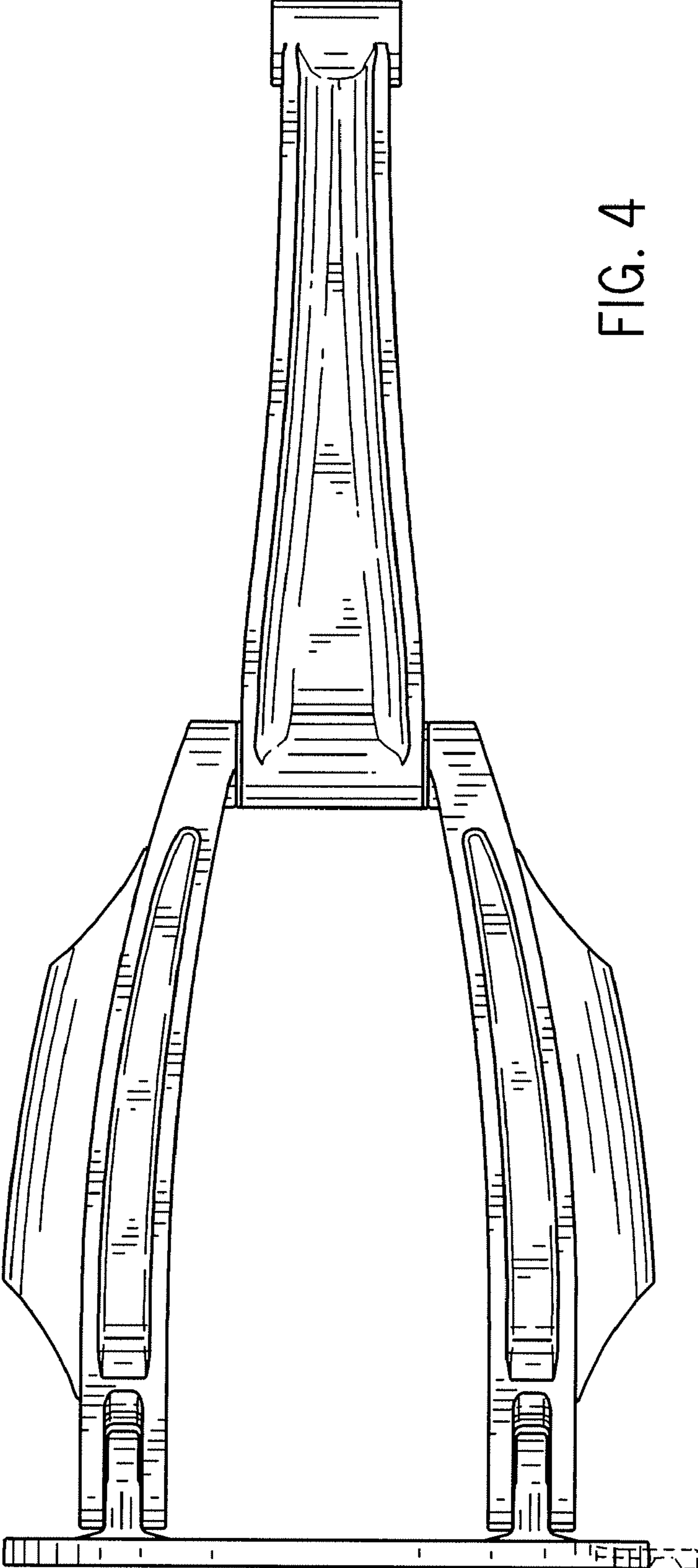


FIG. 4

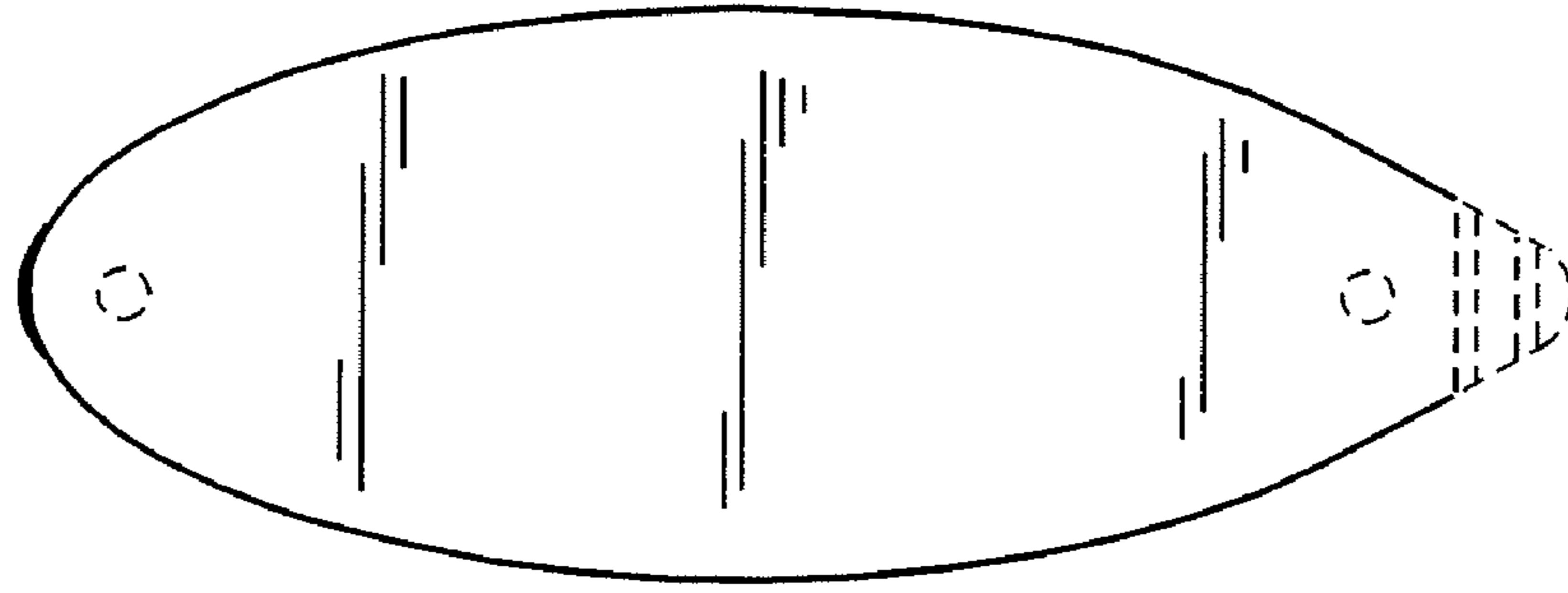


FIG. 6

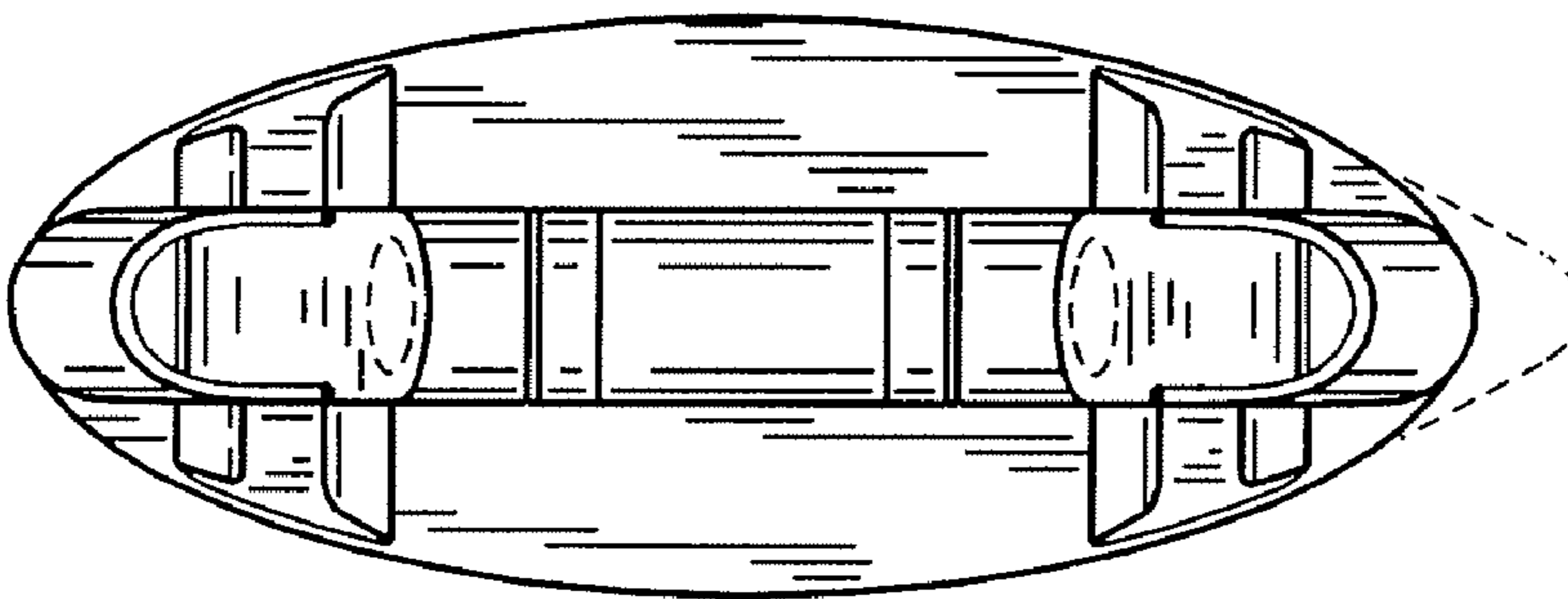


FIG. 5

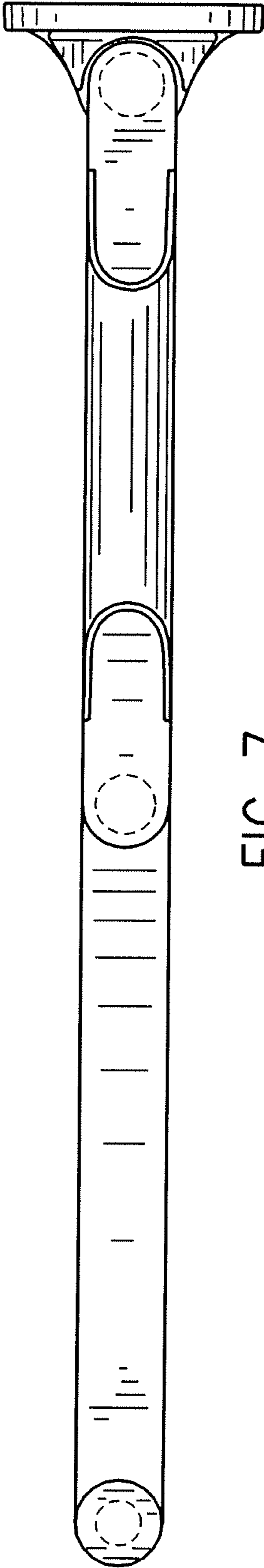


FIG. 7

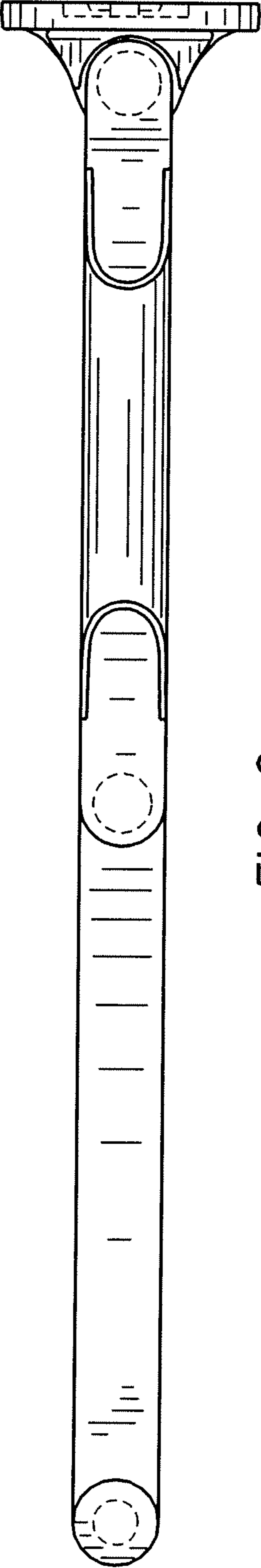


FIG. 8