



US00D643833S

(12) **United States Design Patent**
Lee et al.

(10) **Patent No.:** **US D643,833 S**

(45) **Date of Patent:** **** Aug. 23, 2011**

(54) **IN-EAR HEADPHONE**

(75) Inventors: **Noel Lee**, Las Vegas, NV (US); **Dan Hua**, San Jose, CA (US); **Jacky Hsiung**, San Jose, CA (US)

(73) Assignee: **Monster Cable Products, Inc.**, Brisbane, CA (US)

(**) Term: **14 Years**

(21) Appl. No.: **29/366,157**

(22) Filed: **Jul. 20, 2010**

(51) **LOC (9) Cl.** **14-01**

(52) **U.S. Cl.** **D14/223**

(58) **Field of Classification Search** D14/205,
D14/206, 223; D24/174; 379/430, 431,
379/433.01; 181/129, 130, 135; 381/380,
381/381; 128/864, 865, 866; 455/90.3, 569.1
See application file for complete search history.

(56) **References Cited**

U.S. PATENT DOCUMENTS

1,367,746	A	*	2/1921	Kent	181/129
D215,375	S	*	9/1969	Doggert	D10/118
D233,892	S	*	12/1974	Kay	D13/171
D300,528	S	*	4/1989	Drane	D13/171
D362,841	S	*	10/1995	Roza	D13/171
D374,658	S	*	10/1996	Bever et al.	D13/177
D407,985	S	*	4/1999	Pimentel	D10/104
D464,630	S	*	10/2002	Woodworth	D13/171
D469,411	S	*	1/2003	Decosse	D13/174
6,836,676	B2	*	12/2004	Lloyd et al.	455/569.1
D512,417	S	*	12/2005	Hirakawa et al.	D14/223

D514,095	S	*	1/2006	Wilson et al.	D14/223
D531,169	S	*	10/2006	Tokioka et al.	D14/223
D543,972	S	*	6/2007	Taylor	D14/223
D568,290	S	*	5/2008	Wikel	D14/205
D594,441	S	*	6/2009	Lee et al.	D14/205
D598,901	S		8/2009	Lee et al.		
D599,781	S		9/2009	Lee et al.		
D600,675	S		9/2009	Lee et al.		
D606,049	S	*	12/2009	Matsuda et al.	D14/223
D621,389	S	*	8/2010	Nagayama et al.	D14/223
D626,117	S	*	10/2010	Lowry	D14/223
D629,395	S	*	12/2010	Lee et al.	D14/223

* cited by examiner

Primary Examiner — Paula Greene

(74) *Attorney, Agent, or Firm* — LaRiviere, Grubman & Payne, LLP

(57) **CLAIM**

The ornamental design for an in-ear headphone, as shown and described.

DESCRIPTION

FIG. 1 is a perspective view of an in-ear headphone, in accordance with the present invention.

FIG. 2 is a front view thereof;

FIG. 3 is a rear view thereof;

FIG. 4 is a side view thereof;

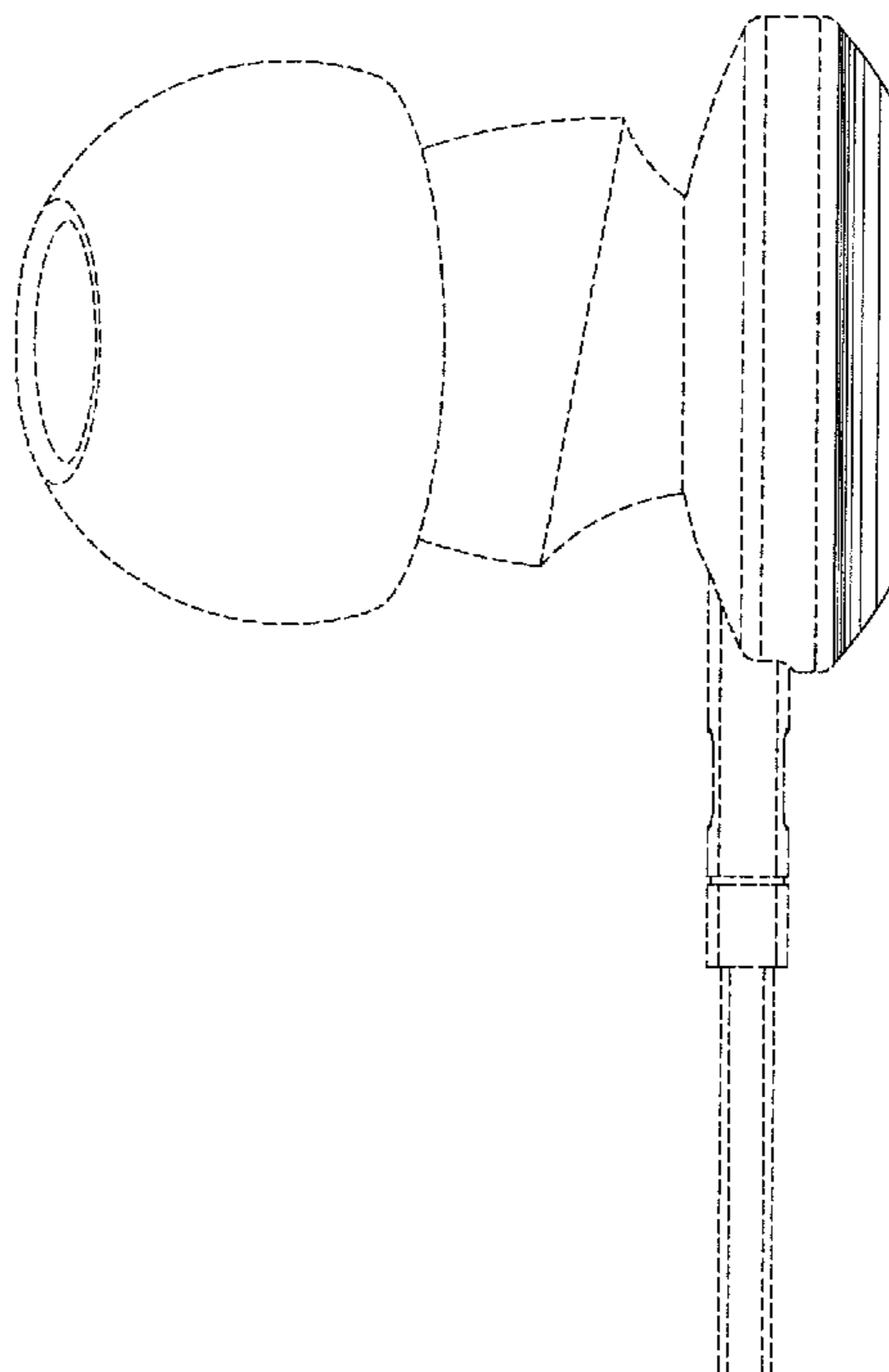
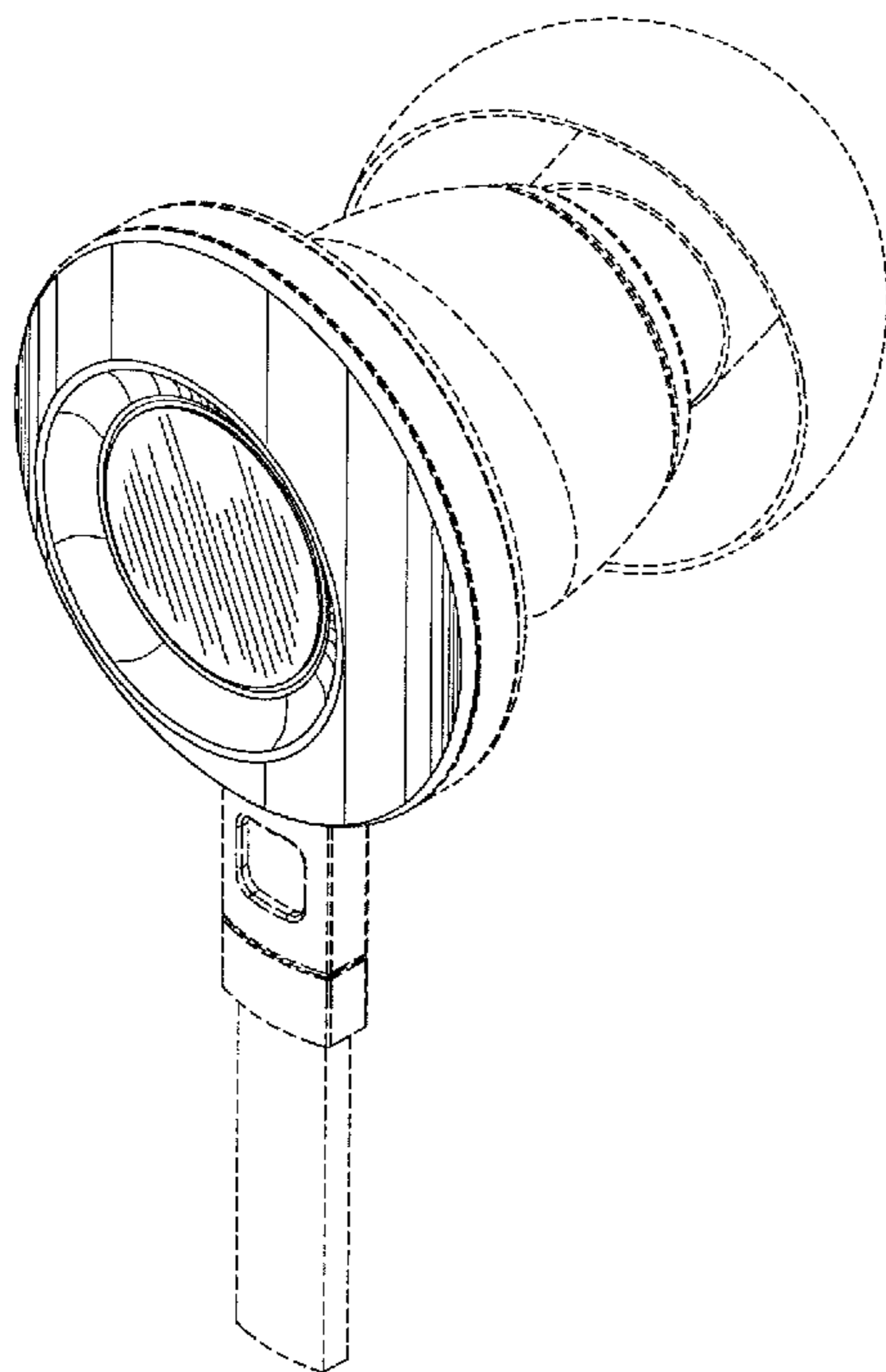
FIG. 5 is an opposing side view thereof;

FIG. 6 is a top view thereof; and,

FIG. 7 is a bottom view thereof.

The broken lines showing the environment in the Figures are for illustrative purposes only and form no part of the claimed design.

1 Claim, 2 Drawing Sheets



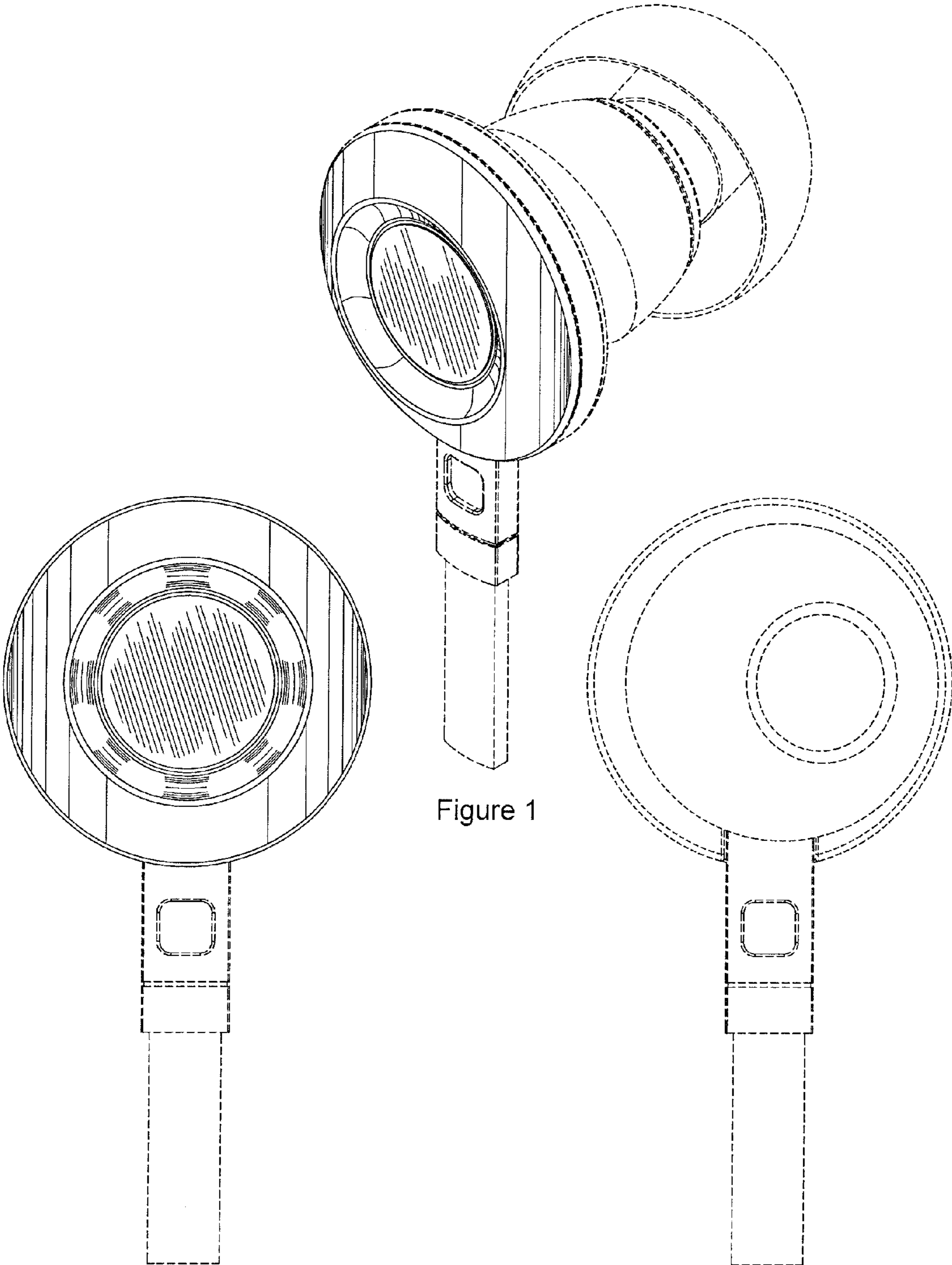


Figure 1

Figure 2

Figure 3

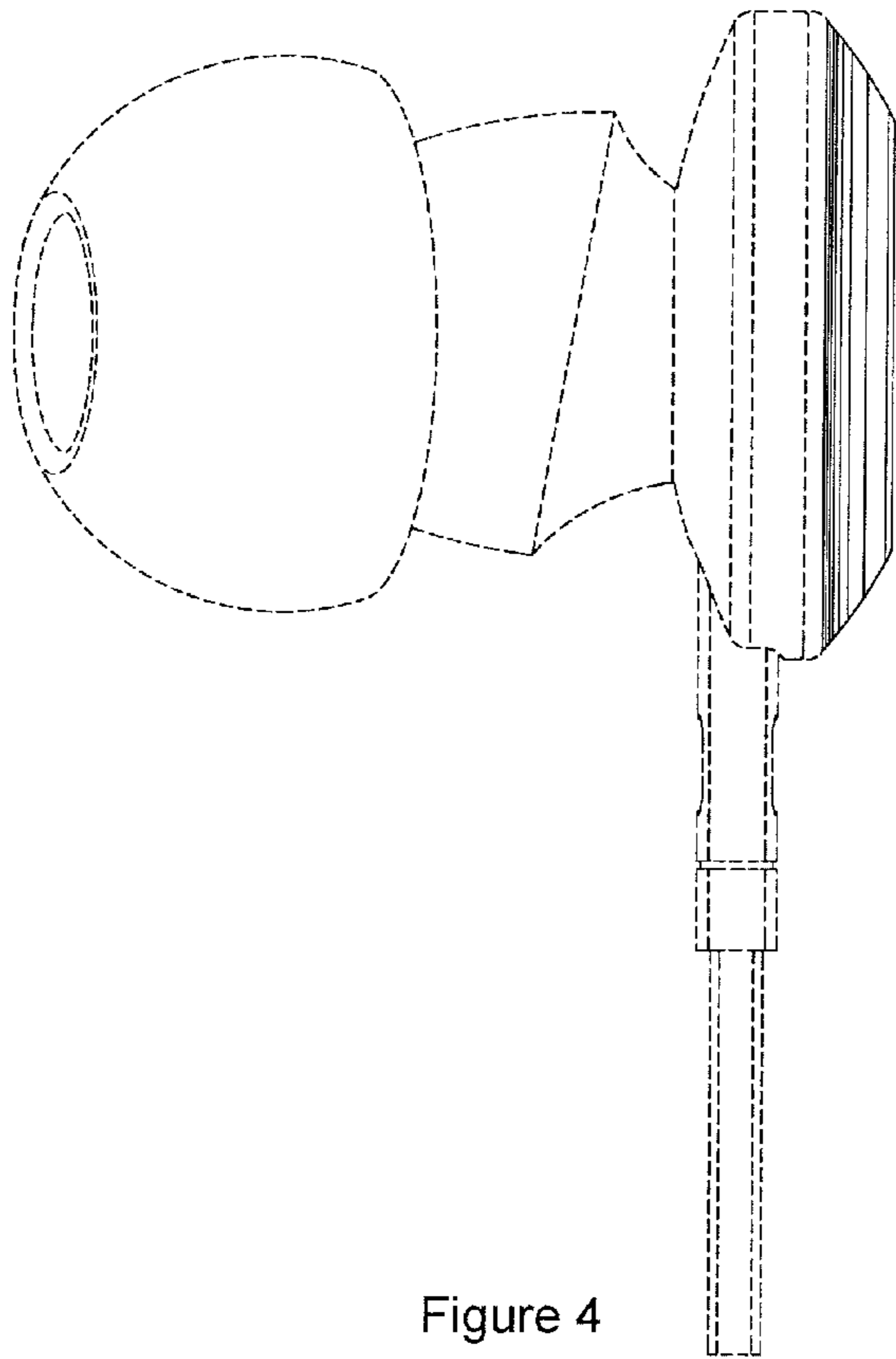


Figure 4

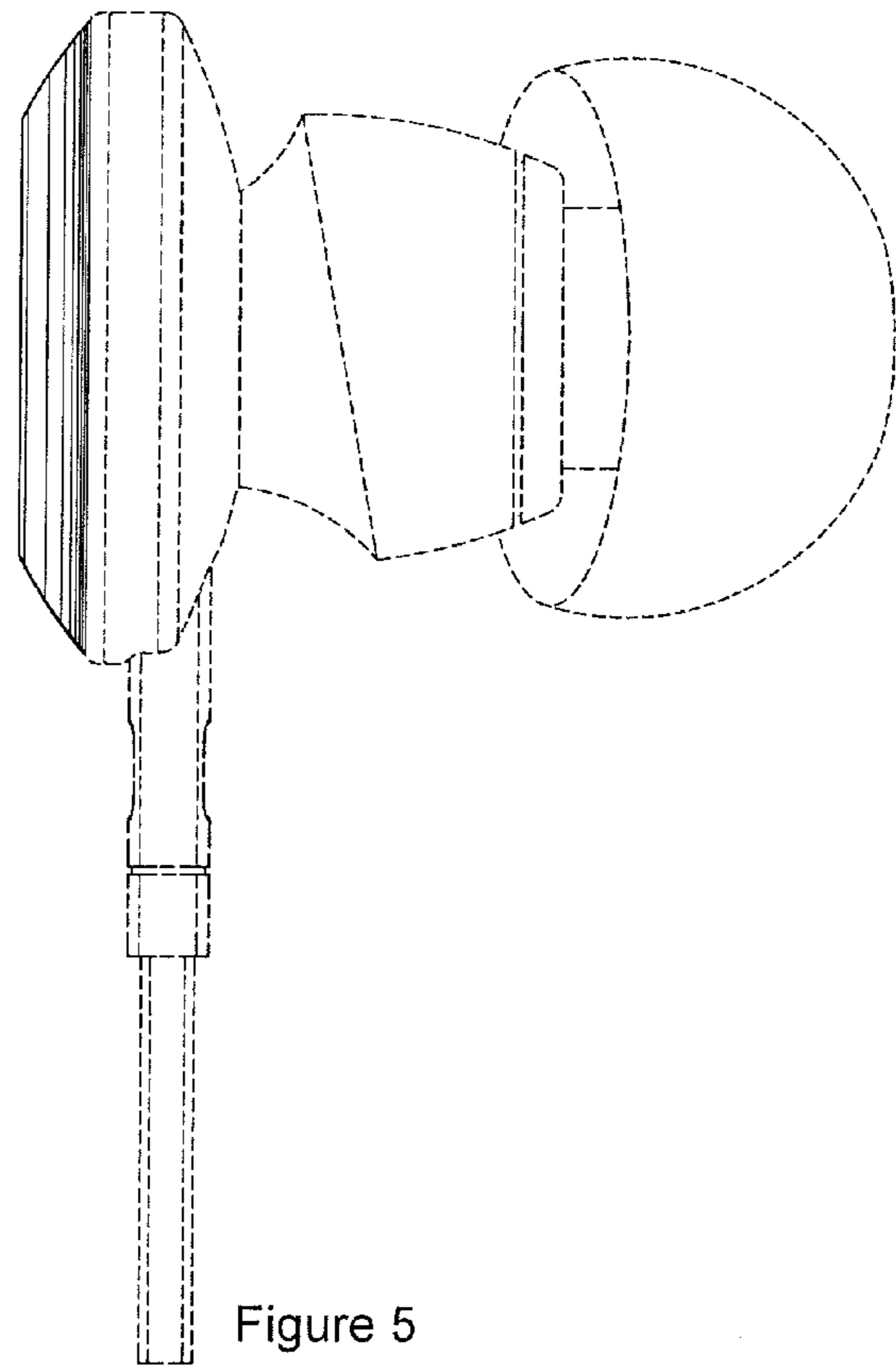


Figure 5

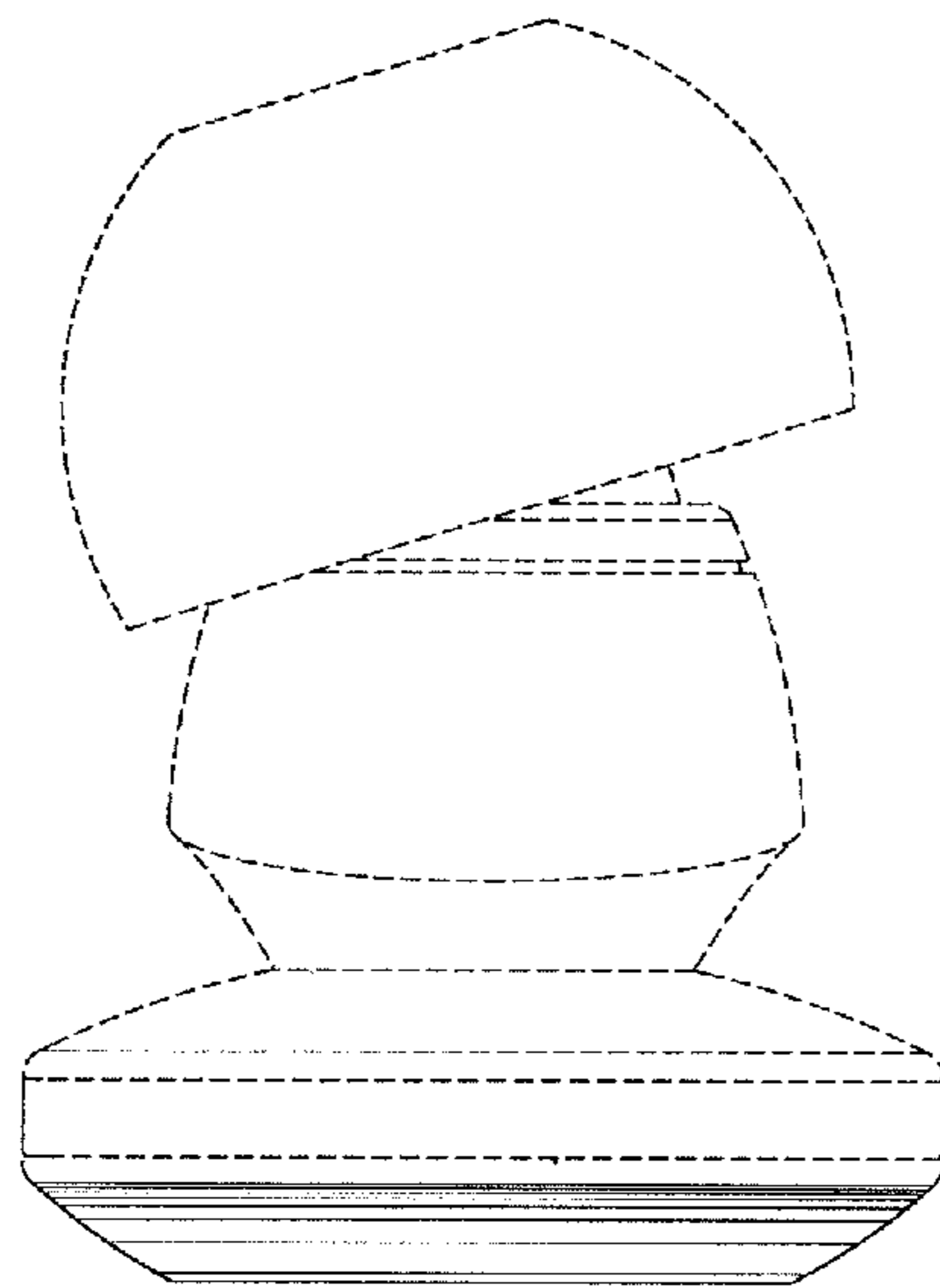


Figure 6

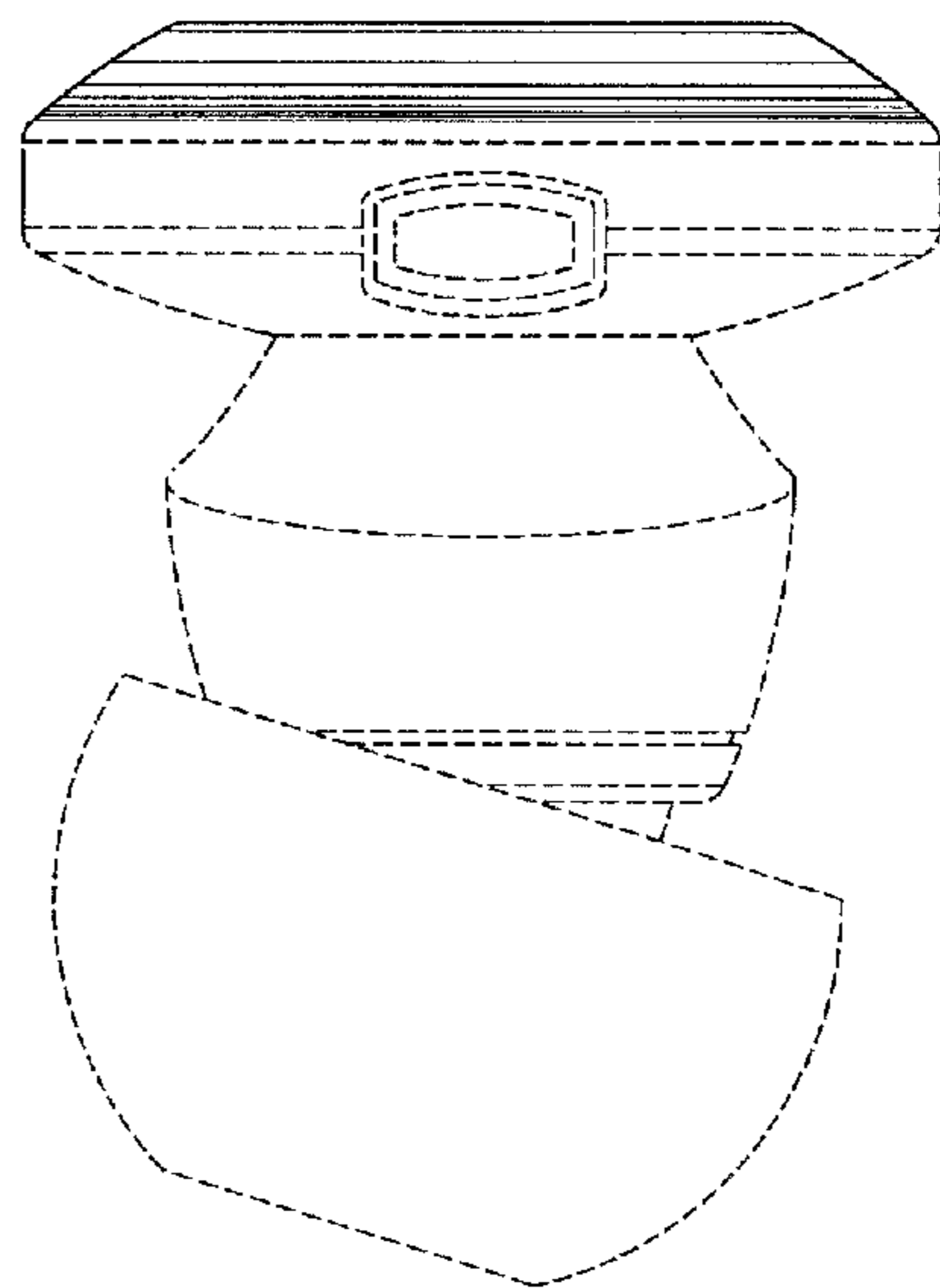


Figure 7