



US00D643830S

(12) **United States Design Patent**  
**Fish**

(10) **Patent No.:** **US D643,830 S**

(45) **Date of Patent:** **\*\* Aug. 23, 2011**

(54) **NECKLACE BLUETOOTH COMMUNICATION APPARATUS**

(76) Inventor: **Peter Alan Fish, Killara (AU)**

(\*\*) Term: **14 Years**

(21) Appl. No.: **29/376,334**

(22) Filed: **Oct. 5, 2010**

(51) **LOC (9) Cl.** ..... **14-01**

(52) **U.S. Cl.** ..... **D14/205**

(58) **Field of Classification Search** ..... D14/205,  
D14/206, 223; 181/129, 130, 135; 379/430,  
379/431; 381/380, 381; 455/90.3, 569.1,  
455/575.1

See application file for complete search history.

(56) **References Cited**

**U.S. PATENT DOCUMENTS**

D286,772 S *	11/1986	Pope	.....	D14/205
D321,879 S *	11/1991	Emmerling	.....	D14/192
D331,408 S *	12/1992	Ellermeier	.....	D14/205
D340,033 S *	10/1993	Okumura et al.	.....	D14/192
D351,171 S *	10/1994	Tanaka	.....	D14/205
D368,716 S *	4/1996	Shudo	.....	D14/205
5,640,458 A *	6/1997	Nishiguchi et al.	.....	381/74
D388,788 S *	1/1998	Zeitman	.....	D14/192
D409,614 S *	5/1999	Carlton	.....	D14/192
D421,014 S *	2/2000	Smith	.....	D14/205
D457,515 S *	5/2002	Masamitsu et al.	.....	D14/223
D516,540 S *	3/2006	Beauchemin et al.	.....	D14/192
D539,267 S *	3/2007	Komiyama	.....	D14/205
D575,268 S *	8/2008	Christopher et al.	.....	D14/205
D590,810 S *	4/2009	Komiyama	.....	D14/205
D593,538 S *	6/2009	Chon et al.	.....	D14/205
D594,442 S *	6/2009	Chon et al.	.....	D14/205
D604,269 S *	11/2009	Choe	.....	D14/205

\* cited by examiner

*Primary Examiner* — Paula Greene

(74) *Attorney, Agent, or Firm* — Philip H. Gottfried, Esq.;  
Amster, Rothstein & Ebenstein LLP

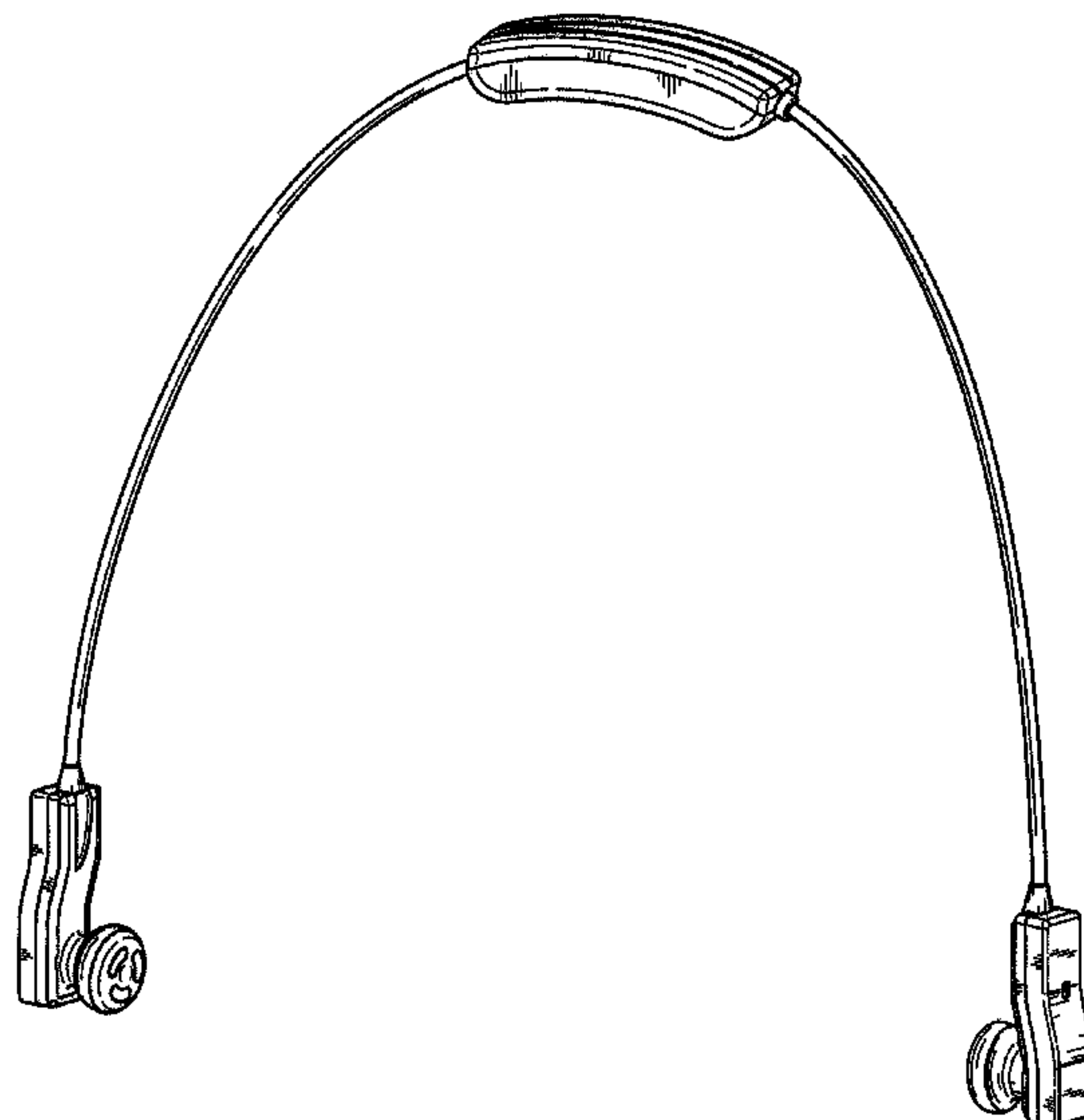
(57) **CLAIM**

The ornamental design for a necklace Bluetooth communication apparatus, substantially as shown and described.

**DESCRIPTION**

FIG. 1 is a left front perspective view of a necklace Bluetooth communication apparatus showing my new design;  
 FIG. 2 is a left front perspective view of the right ear bud thereof, shown separately for purposes of illustration;  
 FIG. 3 is a front view of the right ear bud;  
 FIG. 4 is a rear view of the right ear bud;  
 FIG. 5 is a left view of the right ear bud;  
 FIG. 6 is a right view of the right ear bud;  
 FIG. 7 is a top view of the right ear bud;  
 FIG. 8 is a bottom view of the right ear bud;  
 FIG. 9 is a right front perspective view of the left ear bud thereof, shown separately for purpose of illustration;  
 FIG. 10 is a front view of the left ear bud;  
 FIG. 11 is a rear view of the left ear bud;  
 FIG. 12 is a left view of the left ear bud;  
 FIG. 13 is a right view of the left ear bud;  
 FIG. 14 is a top view of the left ear bud;  
 FIG. 15 is a bottom view of the left ear bud;  
 FIG. 16 is a front elevational view of the vibrator and Bluetooth housing for a necklace Bluetooth communication apparatus shown separately for purposes of illustration;  
 FIG. 17 is a rear view of the vibrator and Bluetooth housing part of the apparatus;  
 FIG. 18 is a left view of the vibrator and Bluetooth housing part of the apparatus;  
 FIG. 19 is a right view of the vibrator and Bluetooth housing part of the apparatus;  
 FIG. 20 is a top view of the vibrator and Bluetooth housing part of the apparatus; and,  
 FIG. 21 is a bottom view of the vibrator and Bluetooth housing part of the apparatus.  
 The broken lines form no part of the claimed design.

**1 Claim, 12 Drawing Sheets**



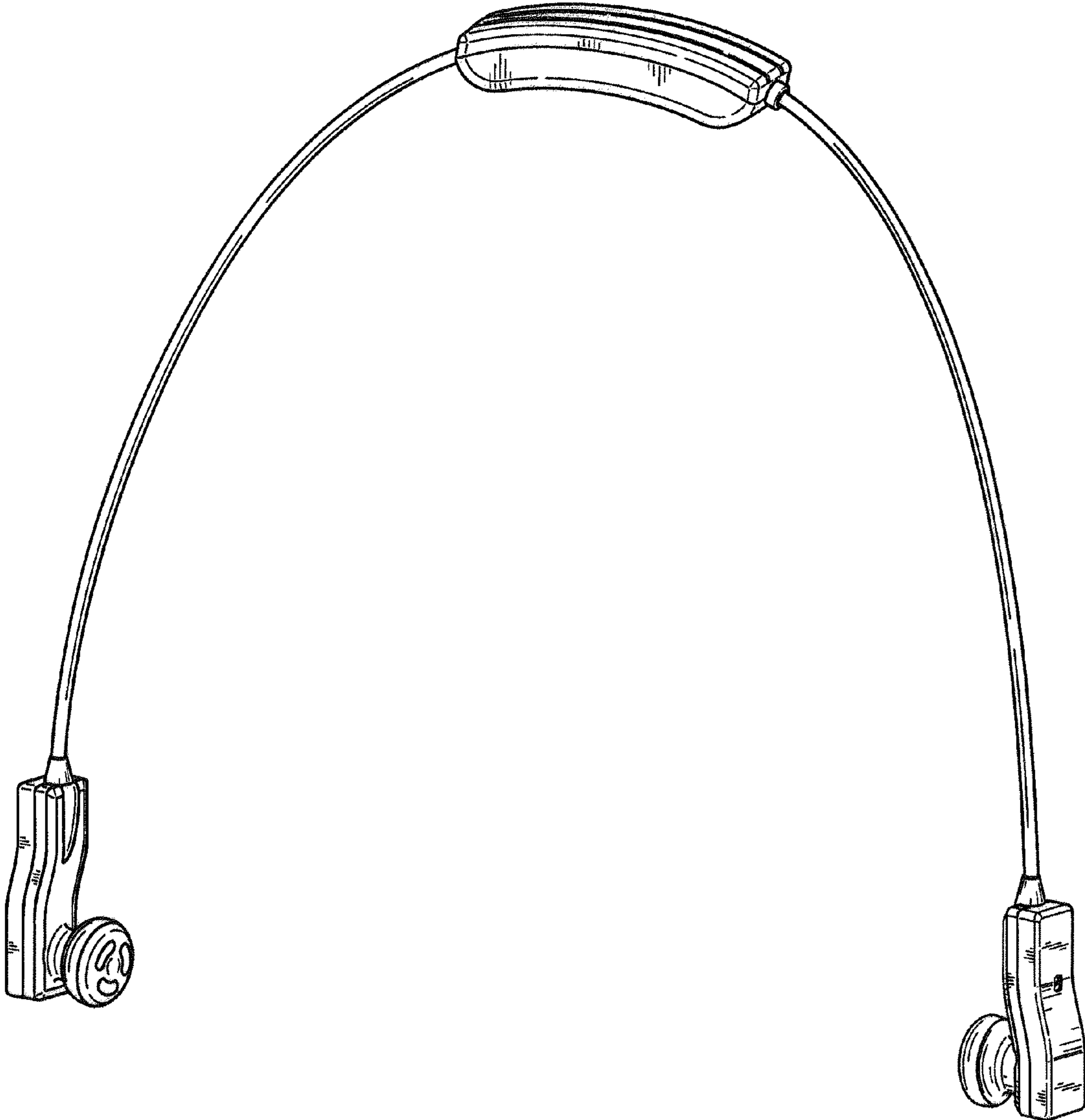


FIG. 1

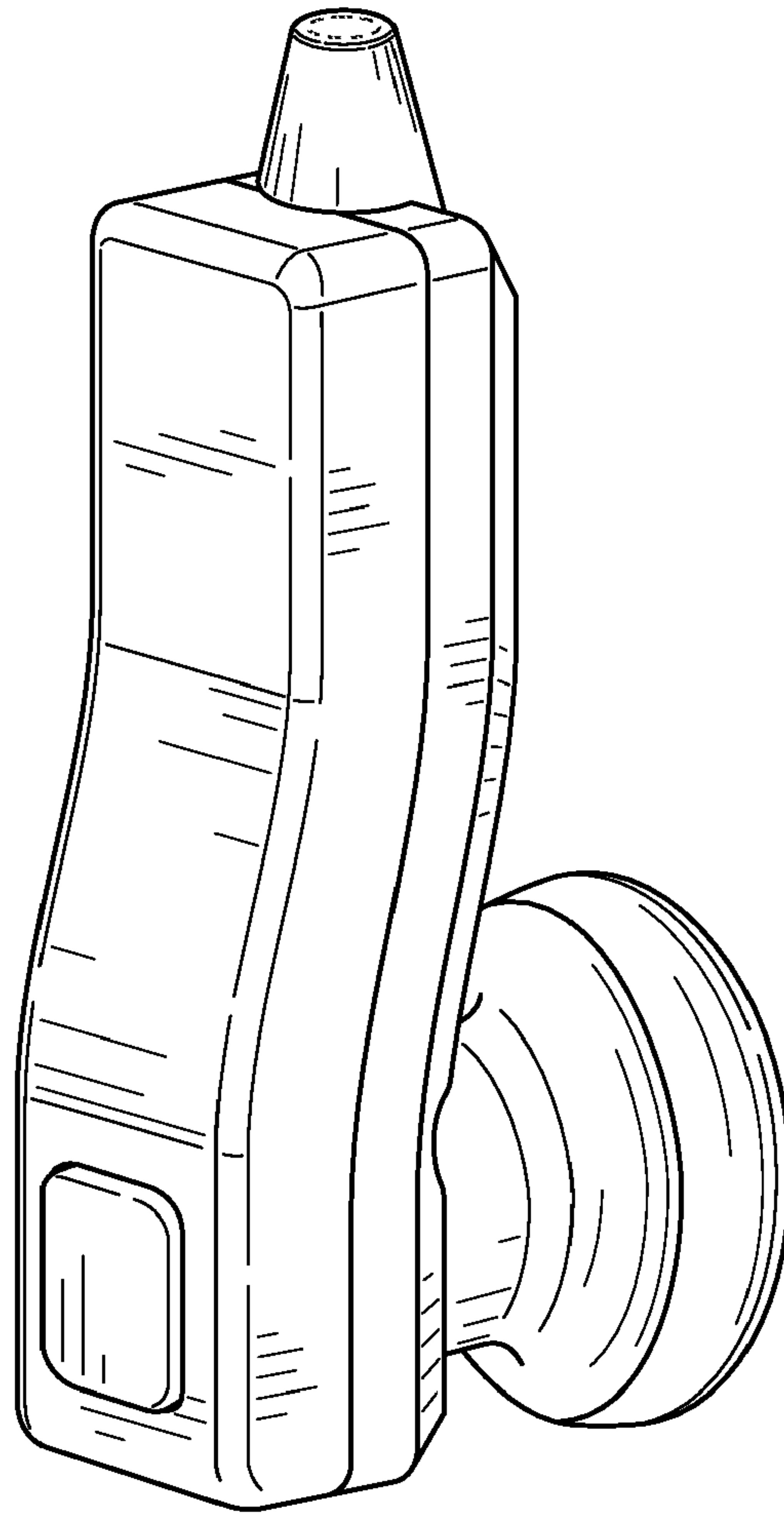


FIG. 2

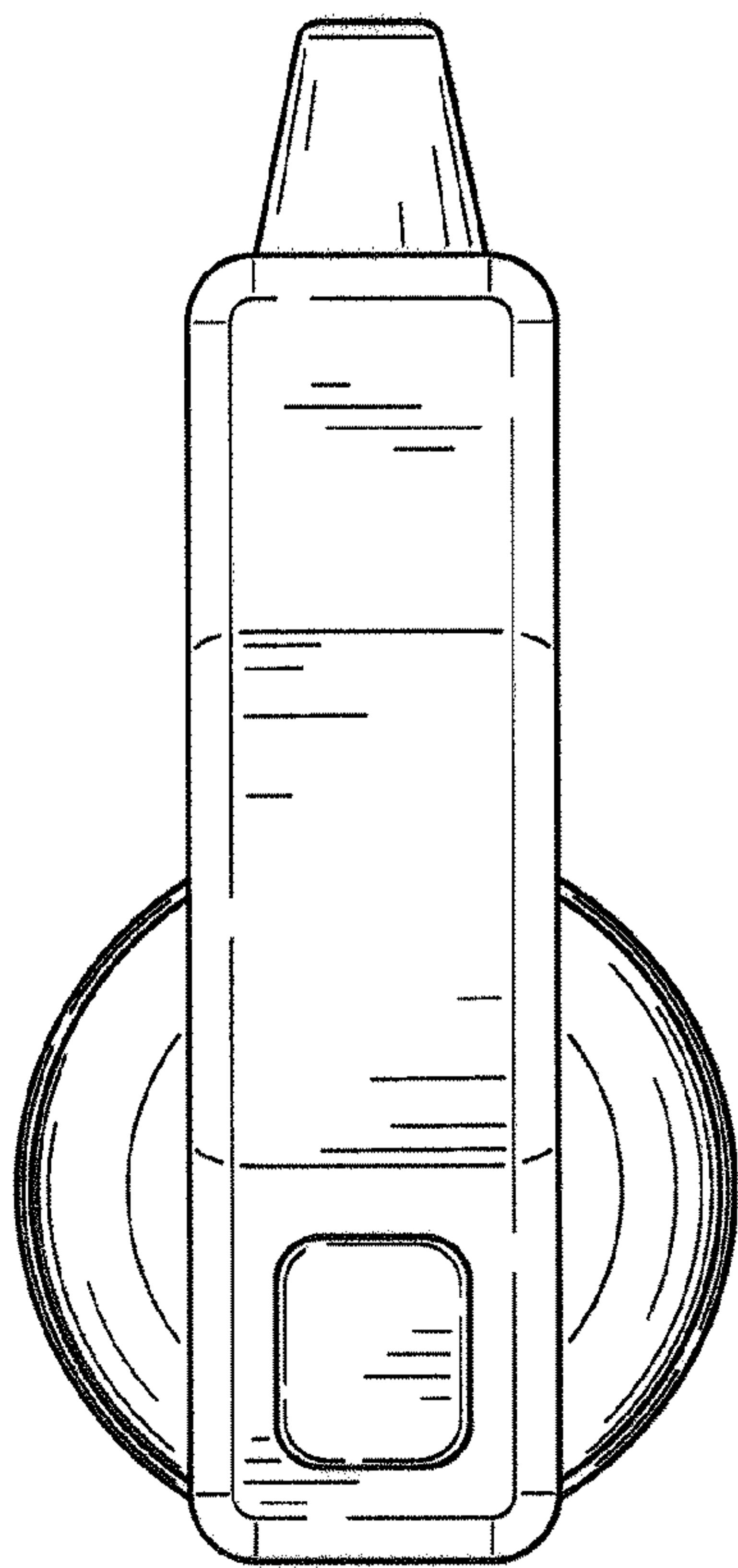


FIG. 3

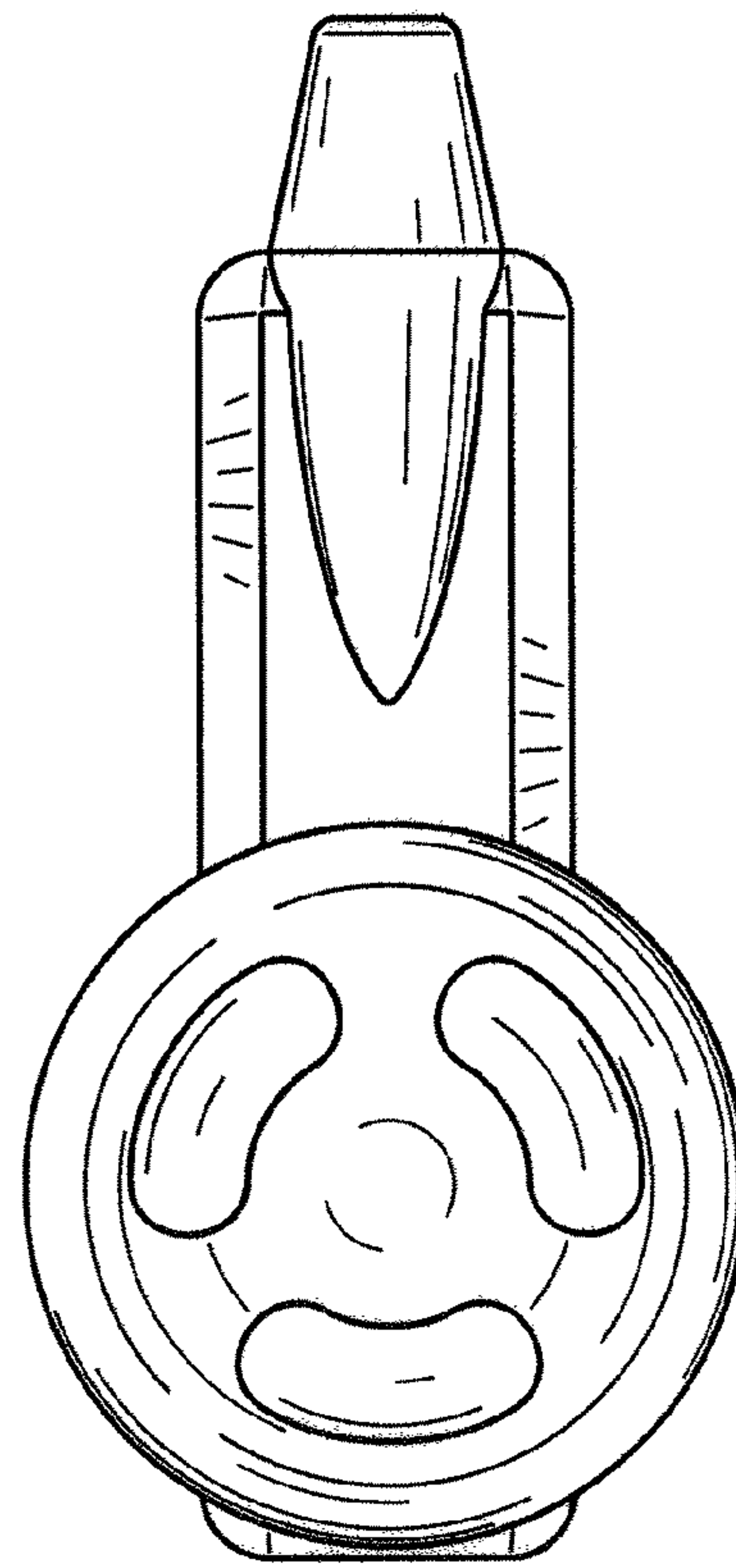


FIG. 4

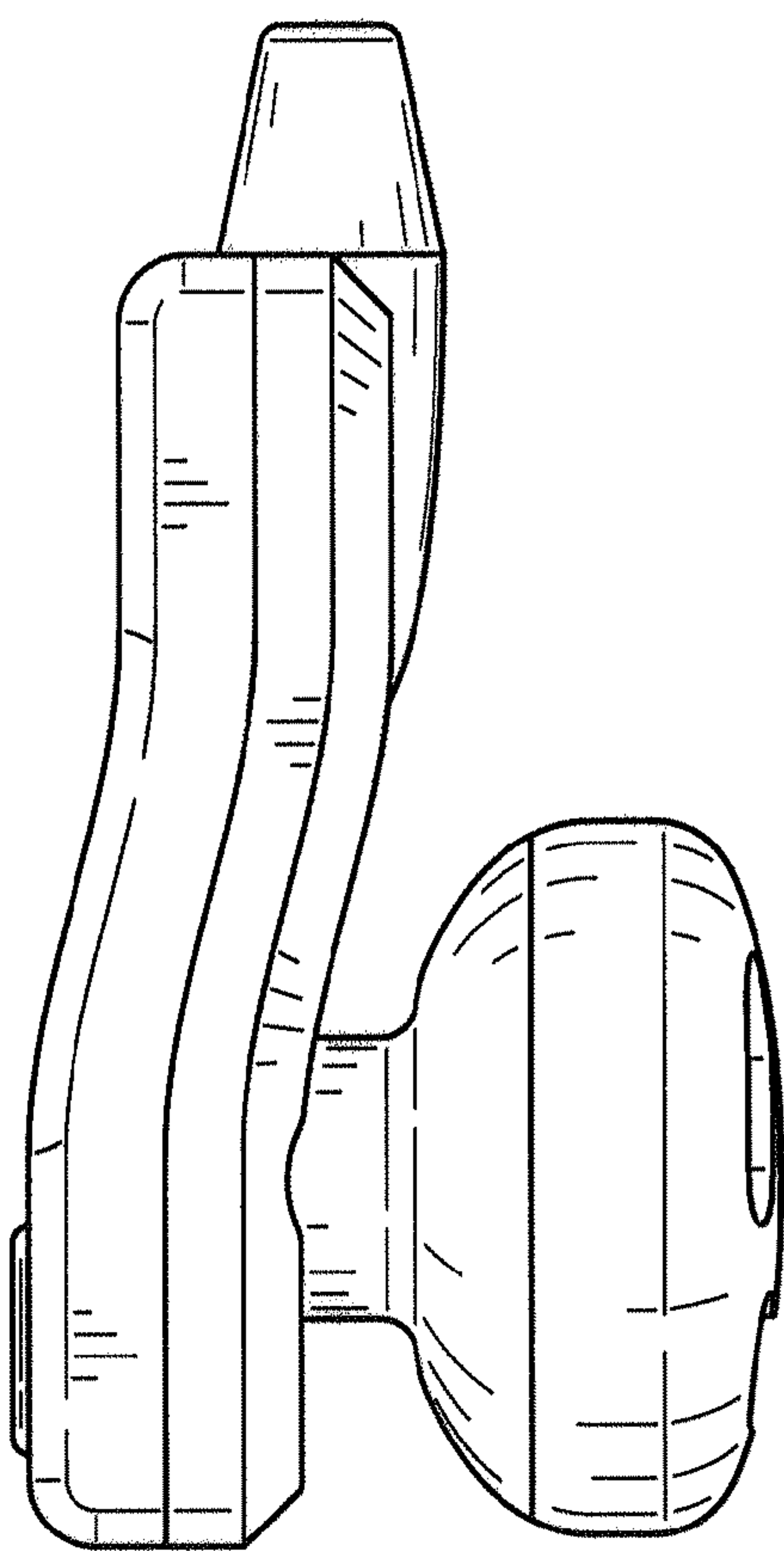


FIG. 5

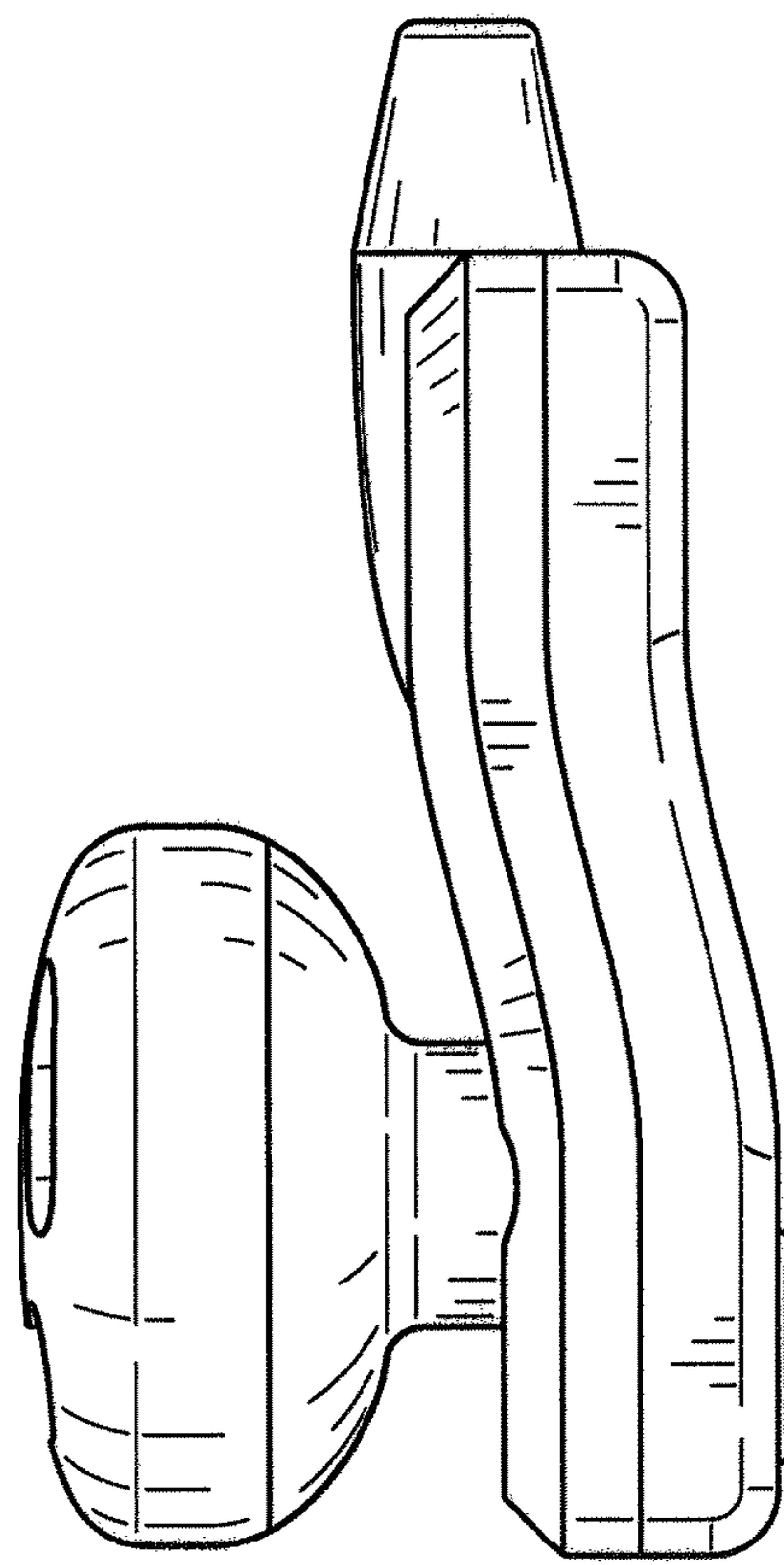
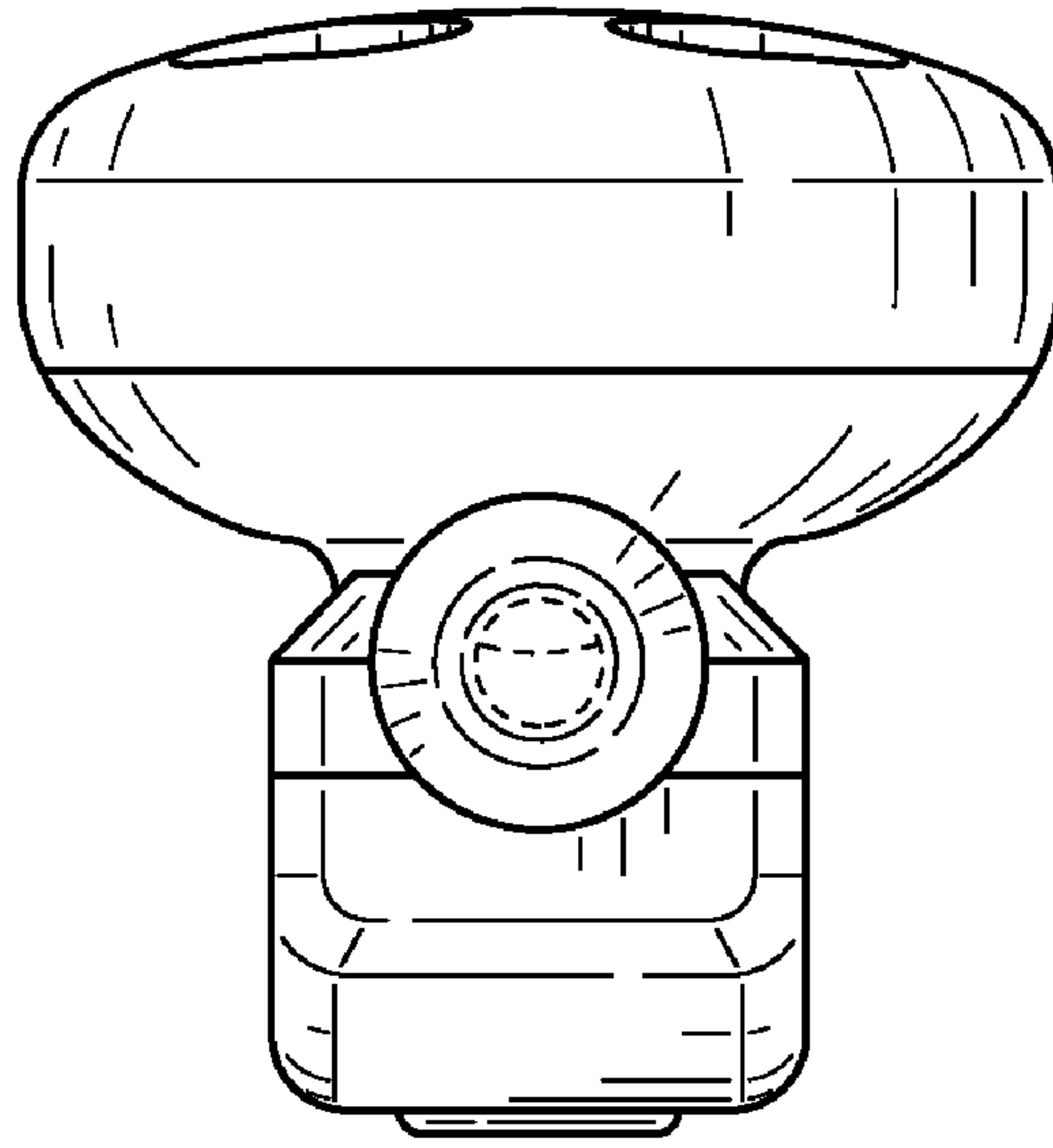
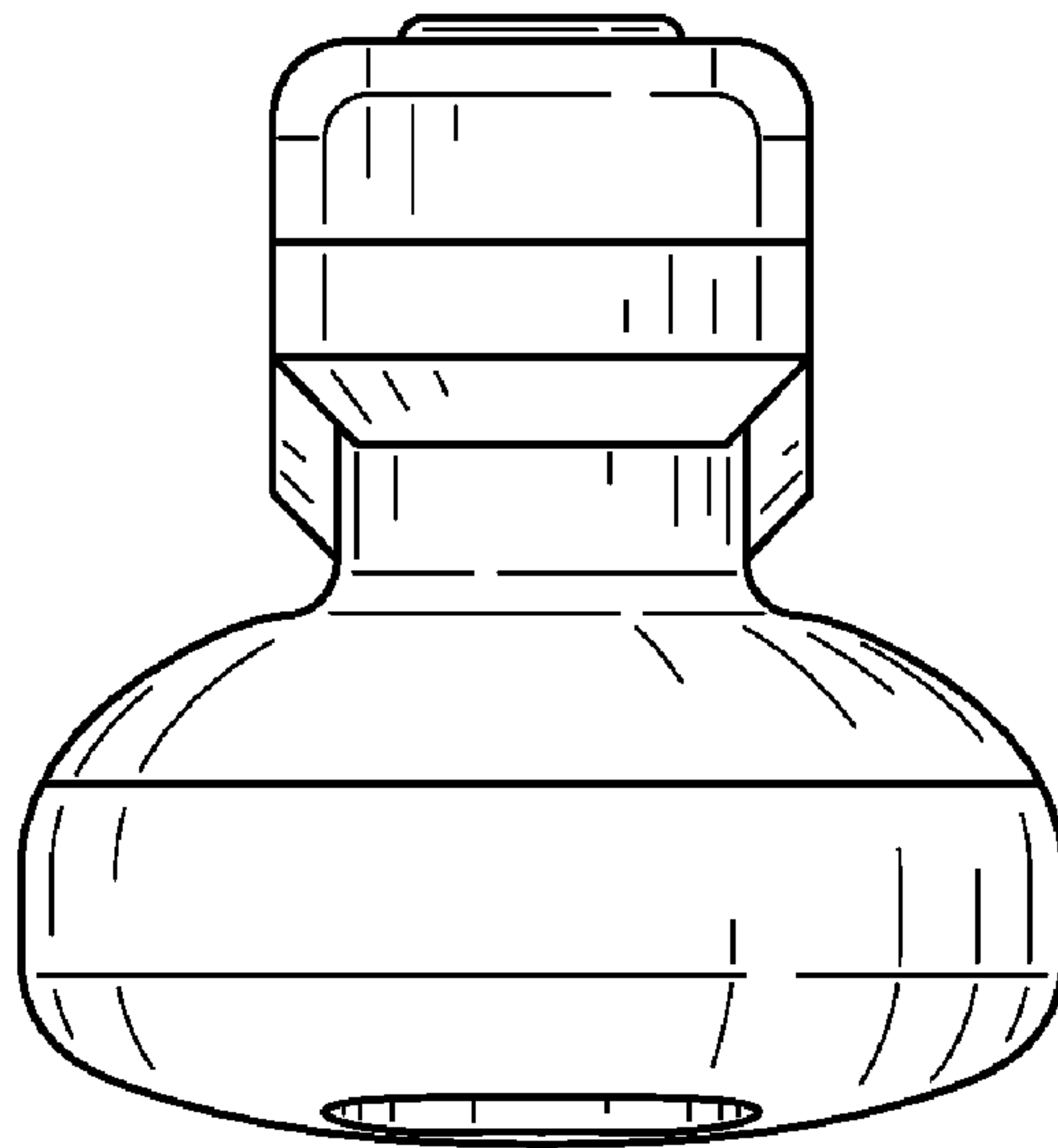


FIG. 6





**FIG. 7**



**FIG. 8**

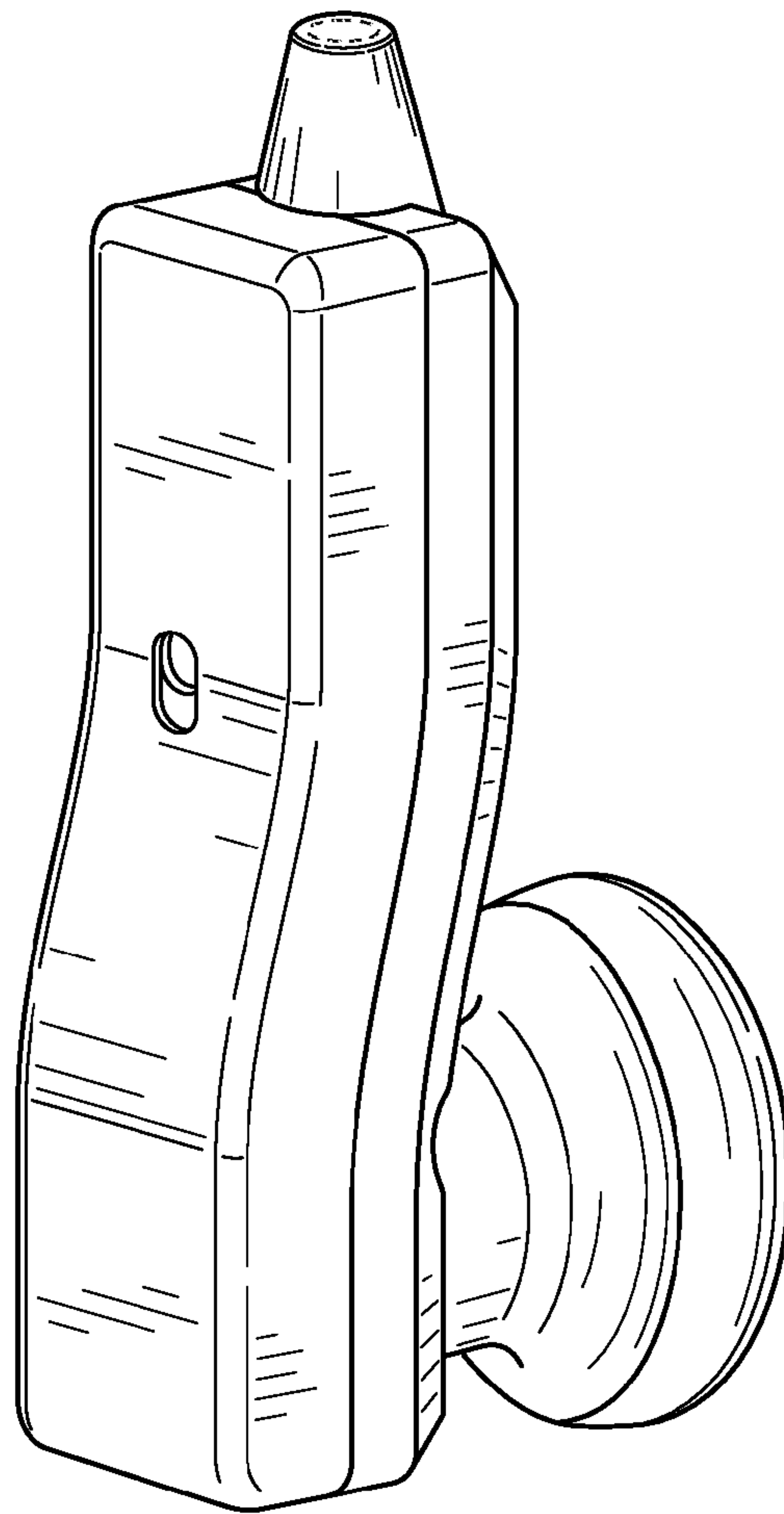


FIG. 9

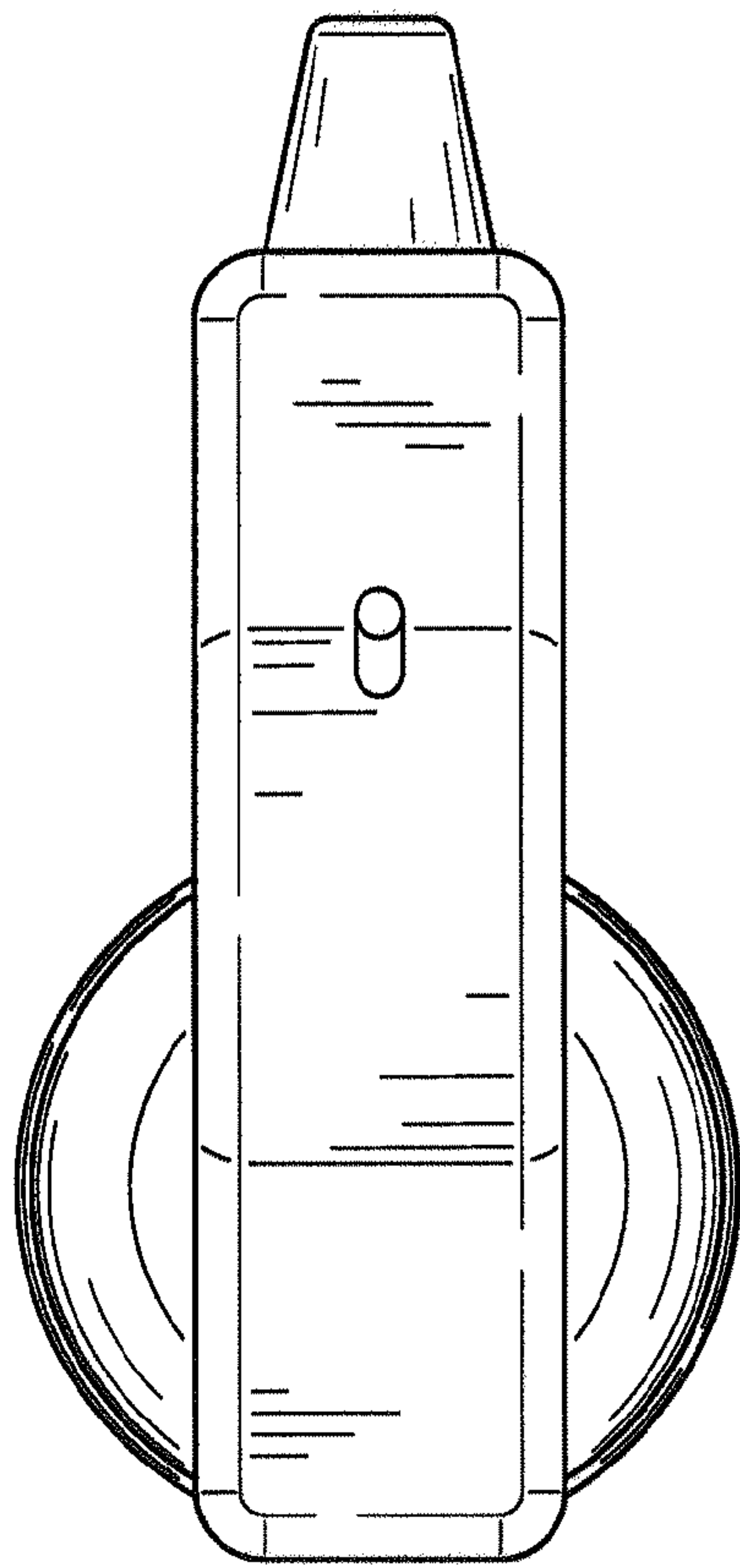


FIG. 10

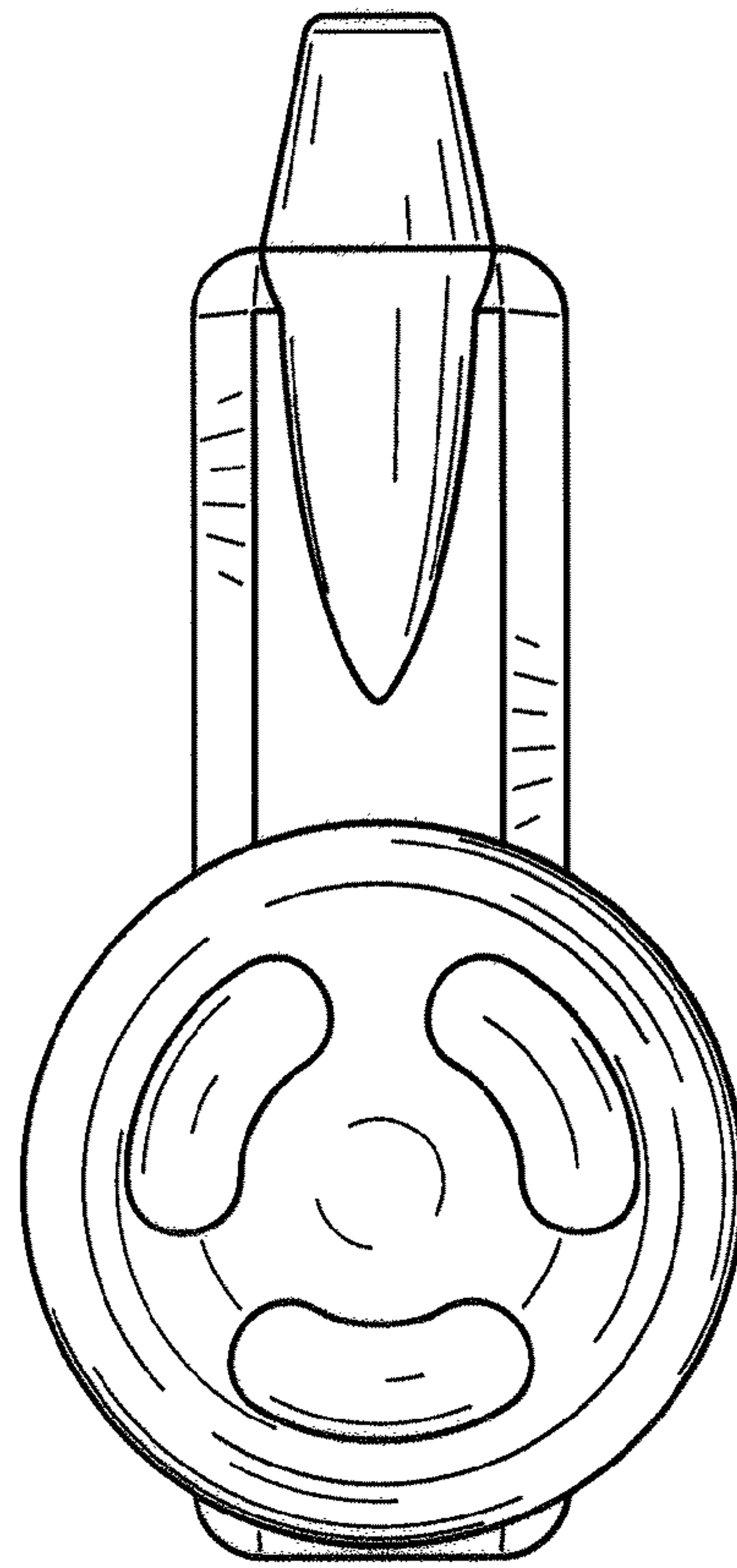


FIG. 11



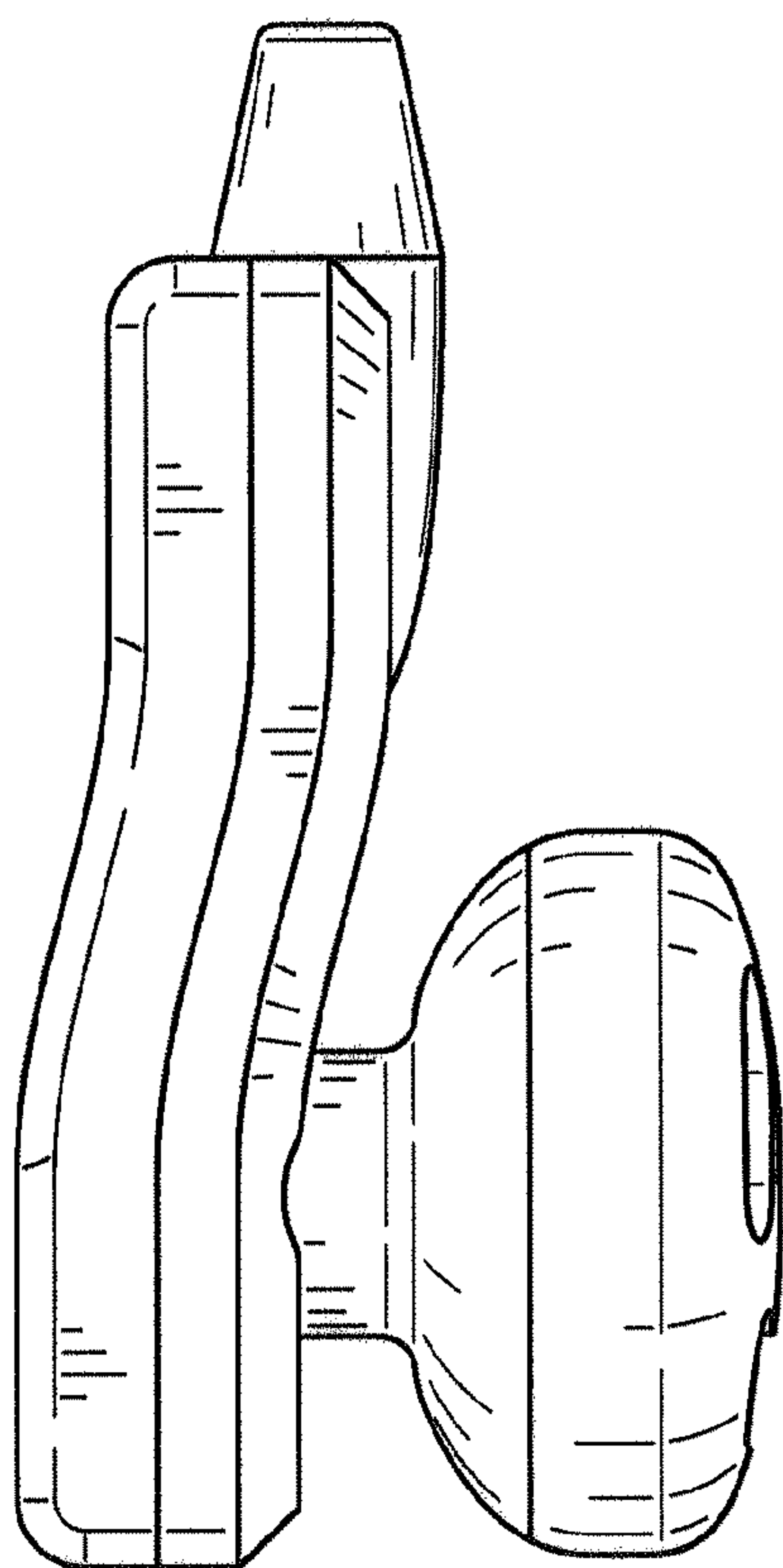


FIG. 12

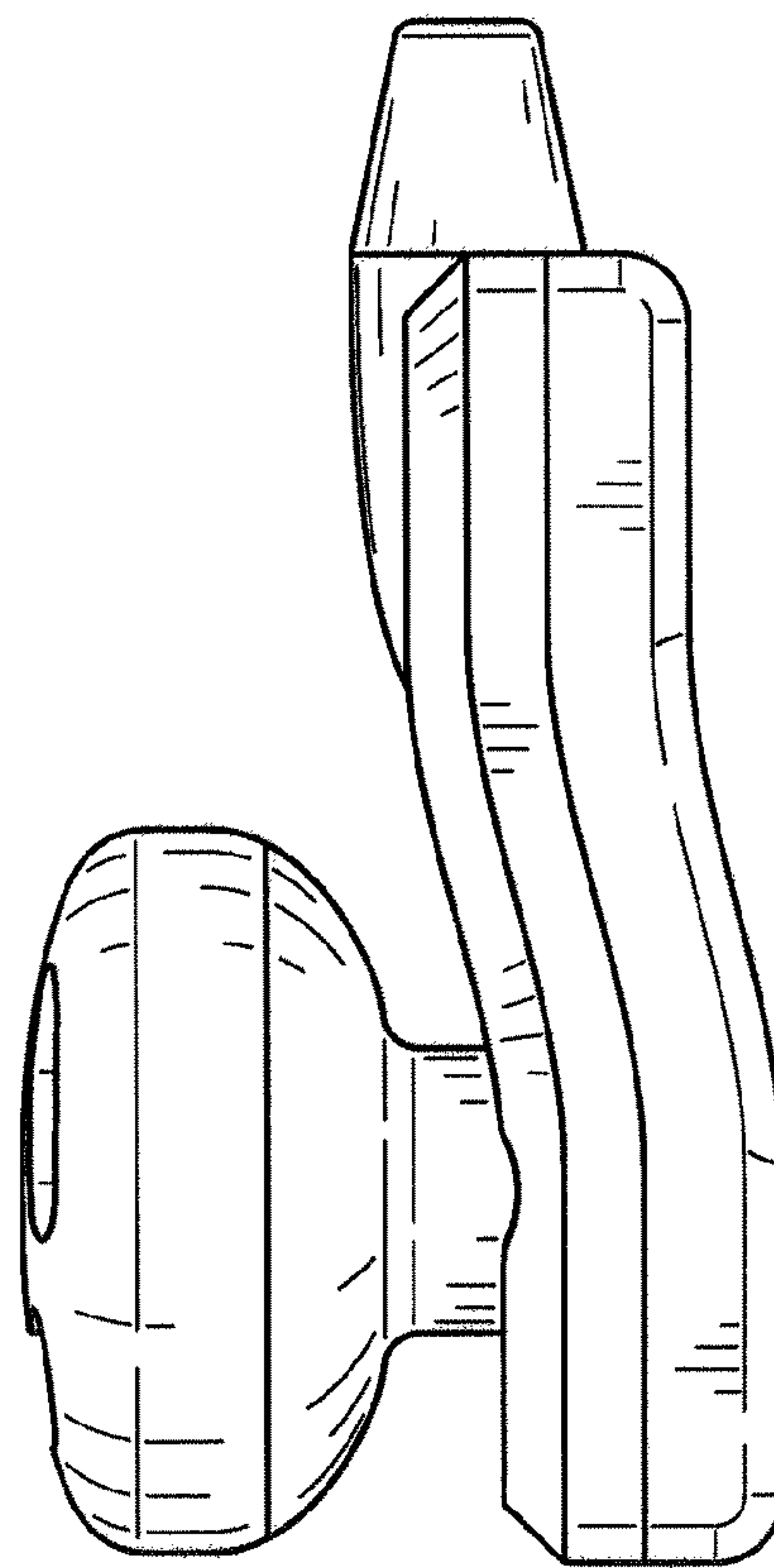
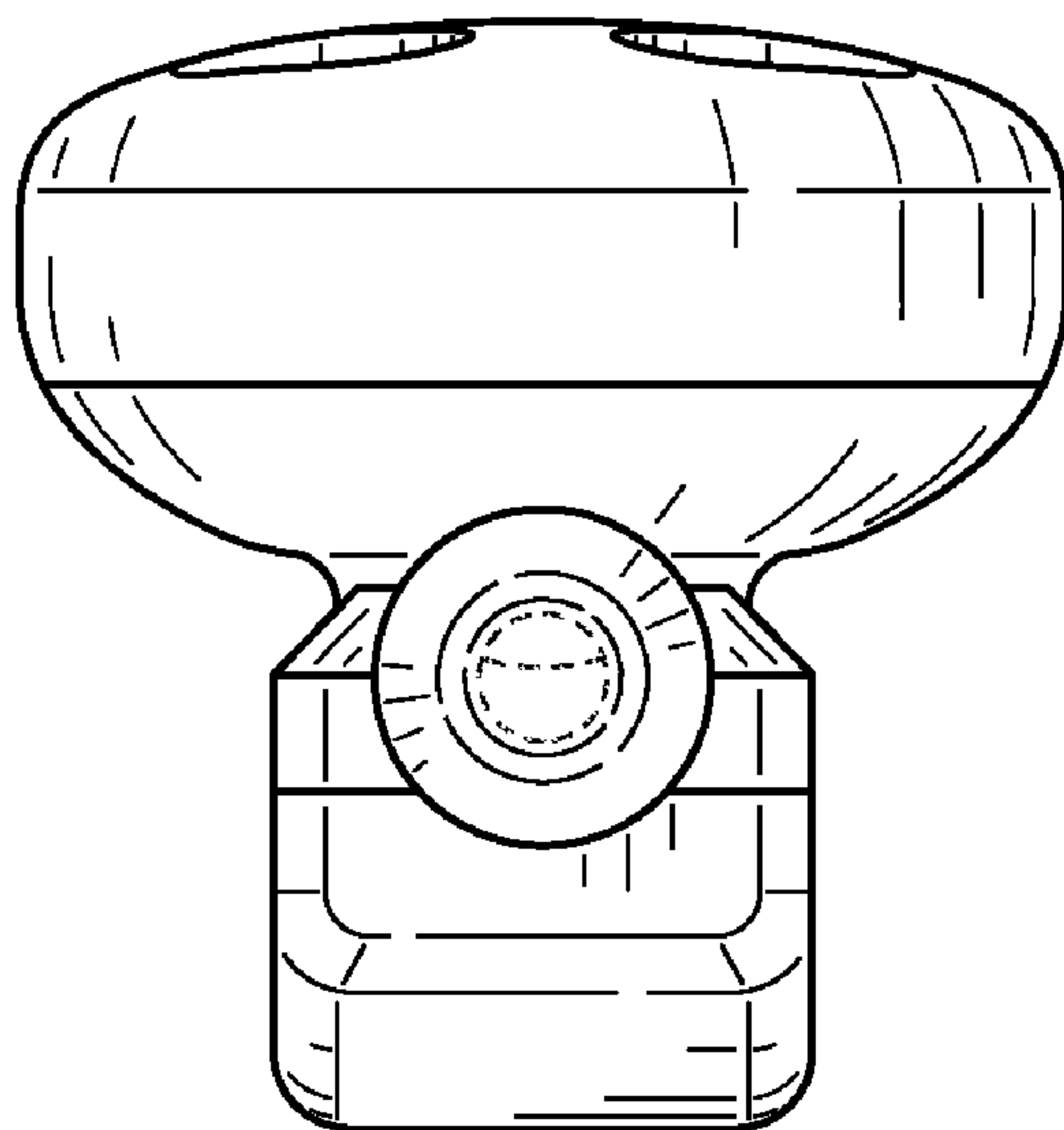
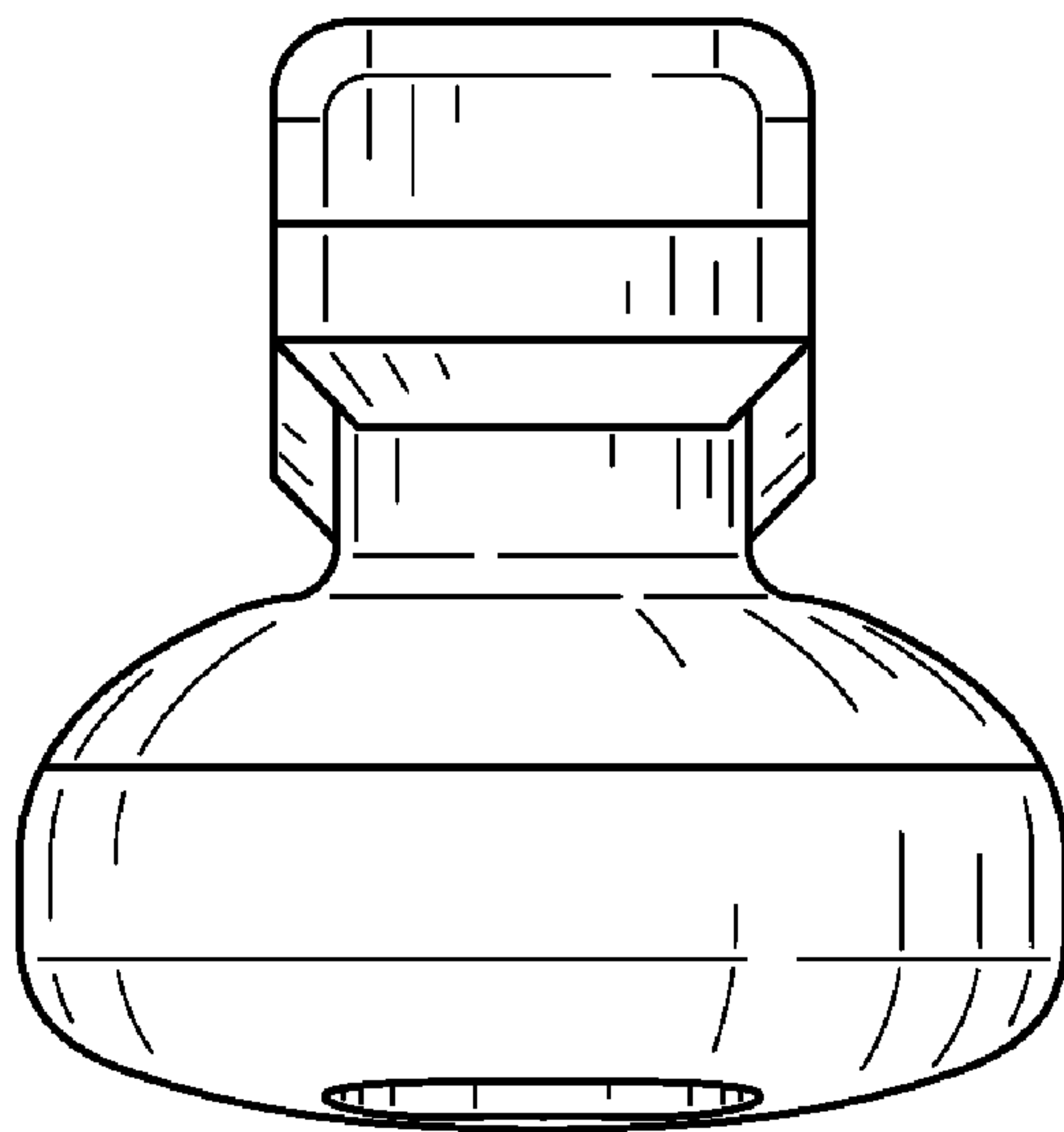


FIG. 13



**FIG. 14**



**FIG. 15**

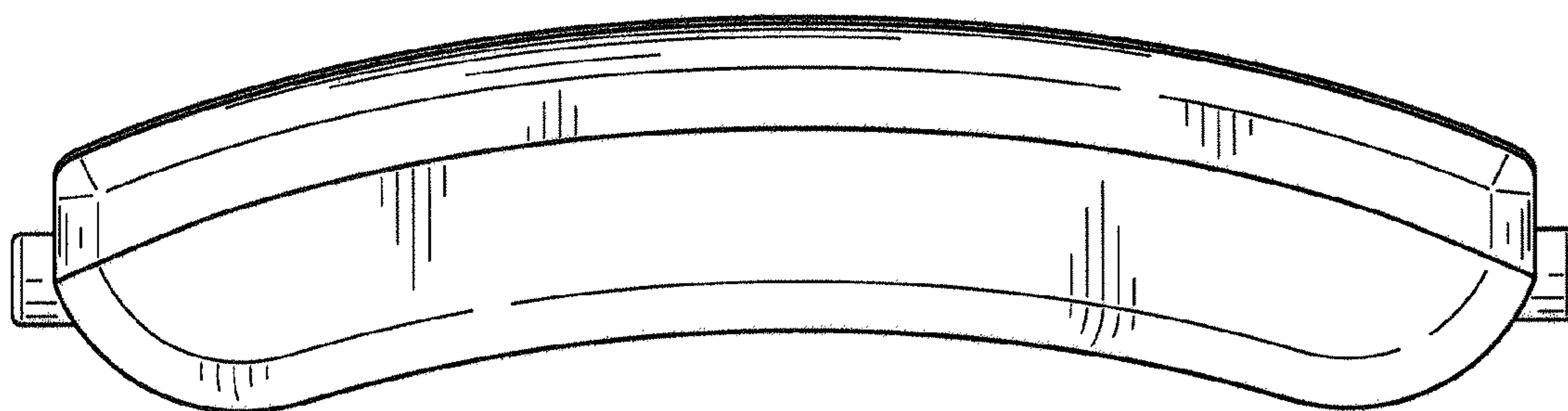


FIG. 16

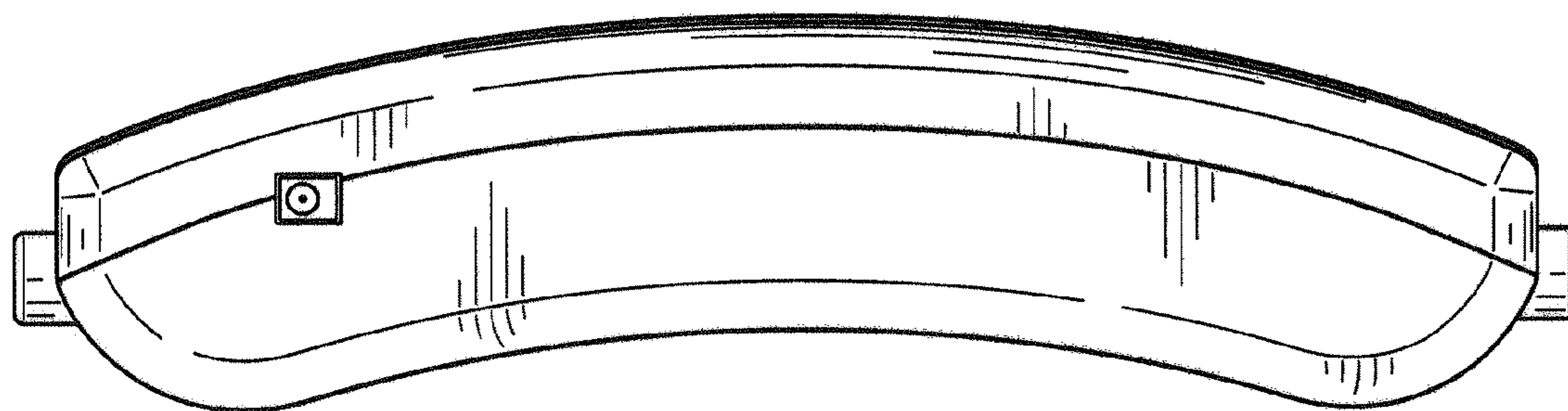


FIG. 17

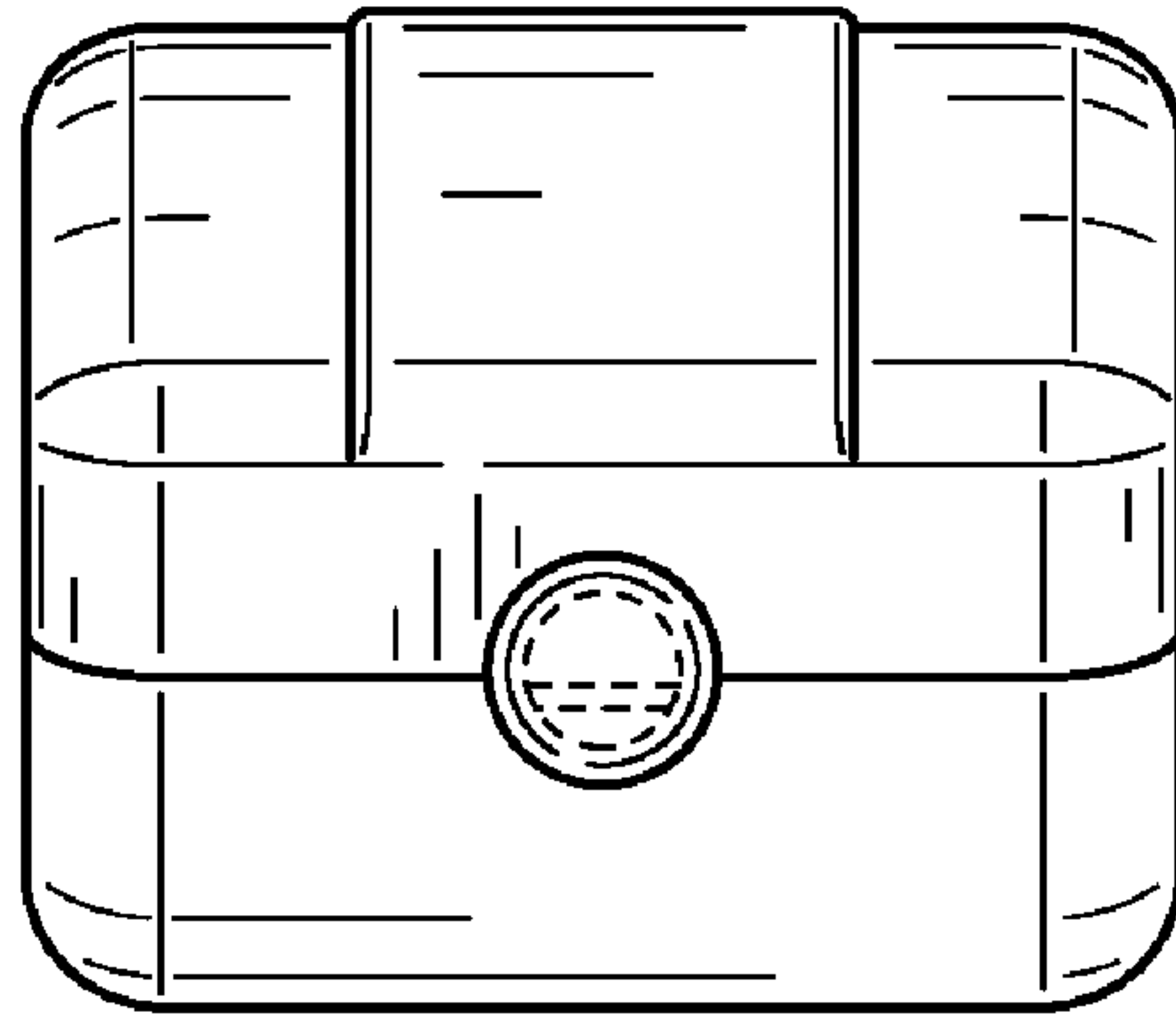


FIG. 18

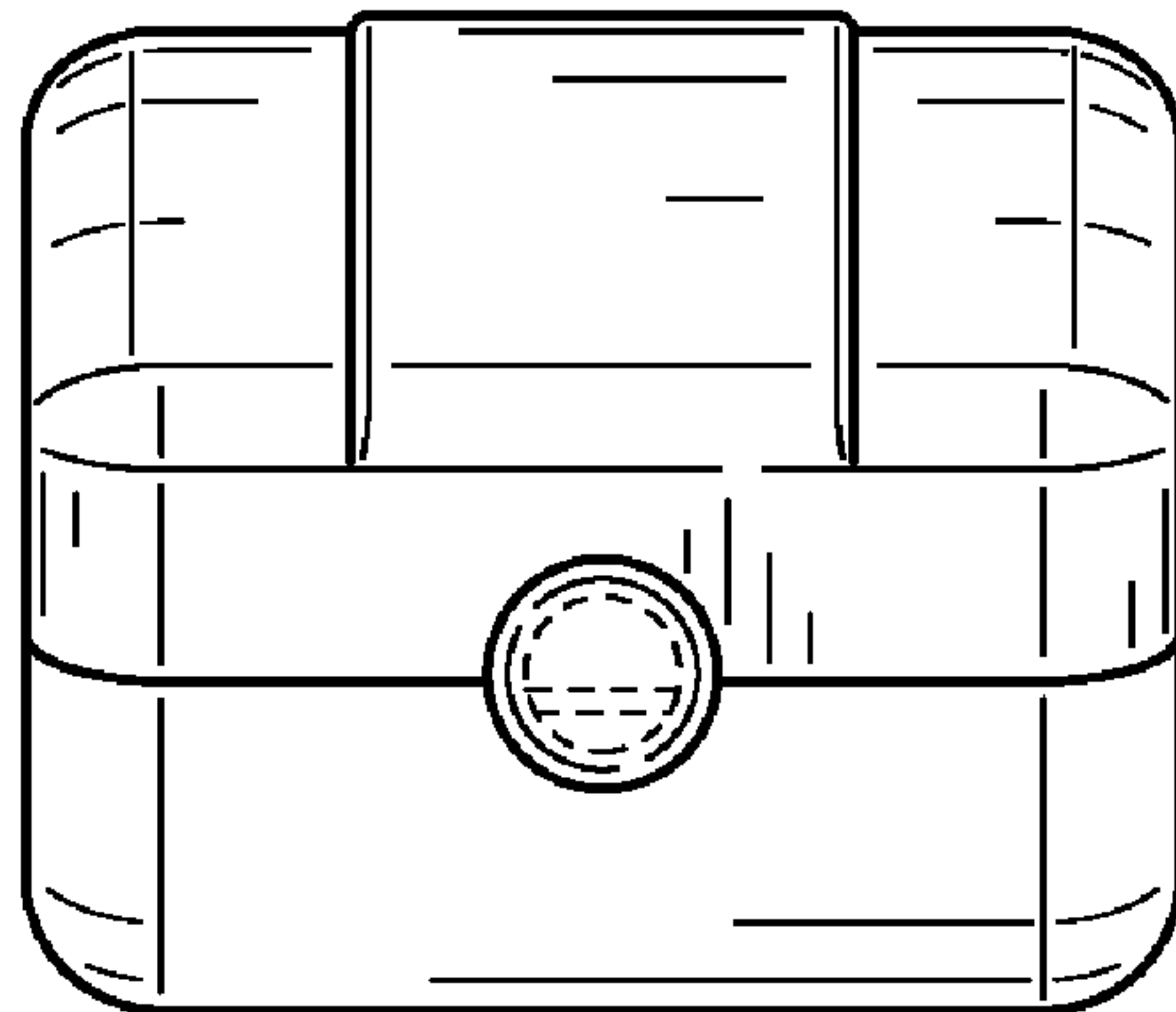


FIG. 19

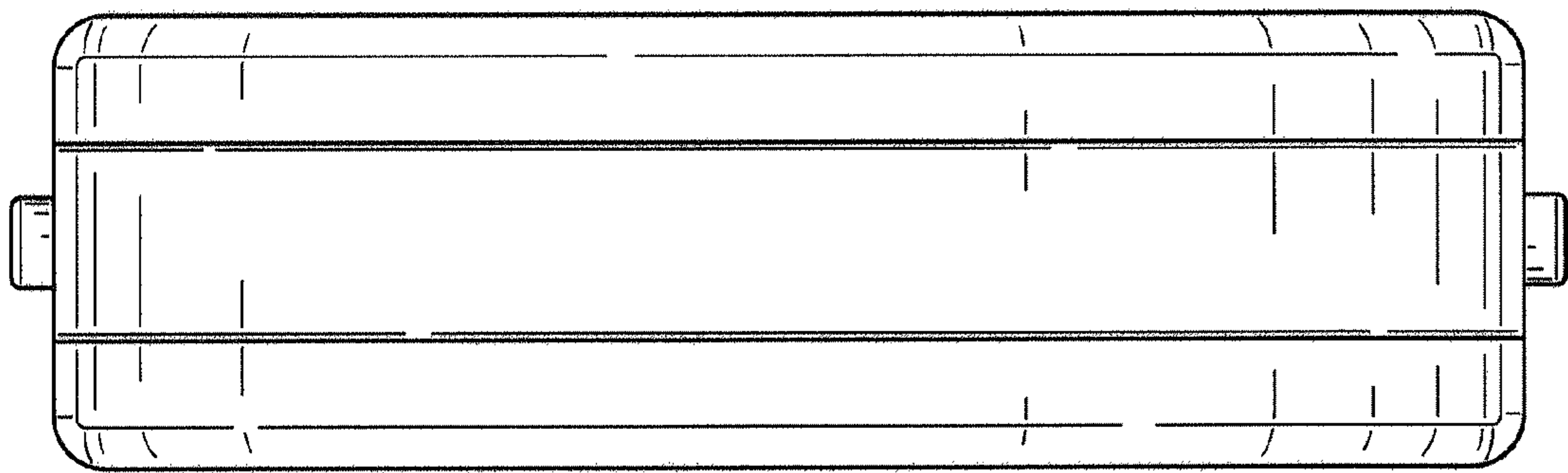


FIG. 20

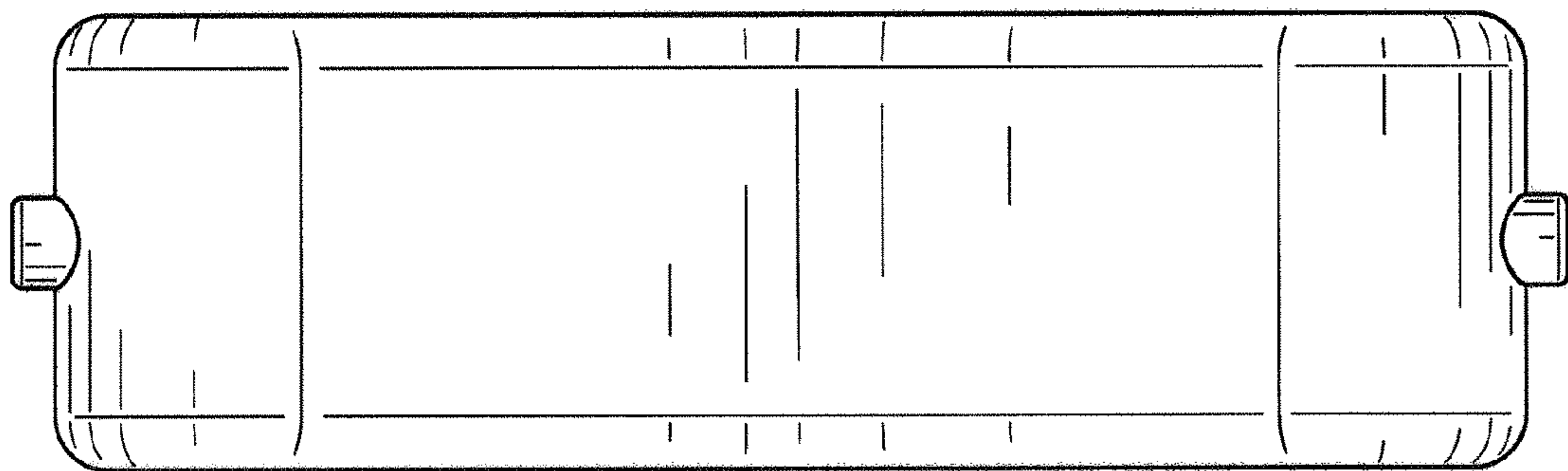


FIG. 21