



US00D643825S

(12) **United States Design Patent**
Hwang

(10) **Patent No.:** **US D643,825 S**
(45) **Date of Patent:** **** Aug. 23, 2011**

(54) **MULTI-MEDIA PHONE**

(75) Inventor: **Steve Hwang**, San Francisco, CA (US)

(73) Assignee: **OpenPeak Inc.**, Boca Raton, FL (US)

(**) Term: **14 Years**

(21) Appl. No.: **29/361,417**

(22) Filed: **May 11, 2010**

Related U.S. Application Data

(62) Division of application No. 29/305,940, filed on Mar. 31, 2008, now Pat. No. Des. 615,515.

(51) **LOC (9) Cl.** **14-03**

(52) **U.S. Cl.** **D14/130**

(58) **Field of Classification Search** D14/125-130,
D14/140-142, 144, 146-151, 158-159, 171,
D14/188, 225-226, 240, 243, 250-253, 329-330,
D14/357, 434, 471, 496, 341, 375; 379/88.17,
379/90.01, 93.17, 387.01, 388.02, 419-420.04,
379/428.01-428.04, 434-436, 440, 446-447,
379/454-455; 381/16, 71.1; D13/107-108;
191/12.2 R; 320/108, 110, 113-115; 455/411,
455/550.1-90.3; 348/14.01-14.06; D6/308;
D10/65

See application file for complete search history.

(56) **References Cited**

U.S. PATENT DOCUMENTS

D270,061 S	8/1983	Ackeret	
D293,579 S *	1/1988	Davis	D14/375
D304,726 S	11/1989	Brooks et al.	
4,930,157 A *	5/1990	Citron et al.	379/433.07
D317,446 S	6/1991	Vossoughi et al.	
D317,757 S *	6/1991	Yokoi et al.	D14/329
D323,324 S	1/1992	Suda	

(Continued)

FOREIGN PATENT DOCUMENTS

WO DM/055768 4/2001

OTHER PUBLICATIONS

Vialta Beamer BM80: Single Pack Video Phone, <URL:http://www.101phones.com/details/0-880/Beamer-BM80%2bSingle-Pack-Video-Phone.html>, retrieved from Internet Sep. 20, 2008.

(Continued)

Primary Examiner — Rob Spear

Assistant Examiner — Carla Jobe Wright

(74) *Attorney, Agent, or Firm* — Sterne, Kessler, Goldstein & Fox PLLC

(57) **CLAIM**

The ornamental design for a multi-media phone, as shown and described.

DESCRIPTION

FIG. 1 is a perspective view of a multi-media phone showing our new design;

FIG. 2 is a front view thereof;

FIG. 3 is a rear view thereof;

FIG. 4 is a right side view thereof;

FIG. 5 is a left side view thereof;

FIG. 6 is a top plan view thereof;

FIG. 7 is a bottom plan view thereof;

FIG. 8 is a perspective view of another embodiment of a multi-media phone showing our new design;

FIG. 9 is a front view thereof;

FIG. 10 is a rear view thereof;

FIG. 11 is a right side view thereof;

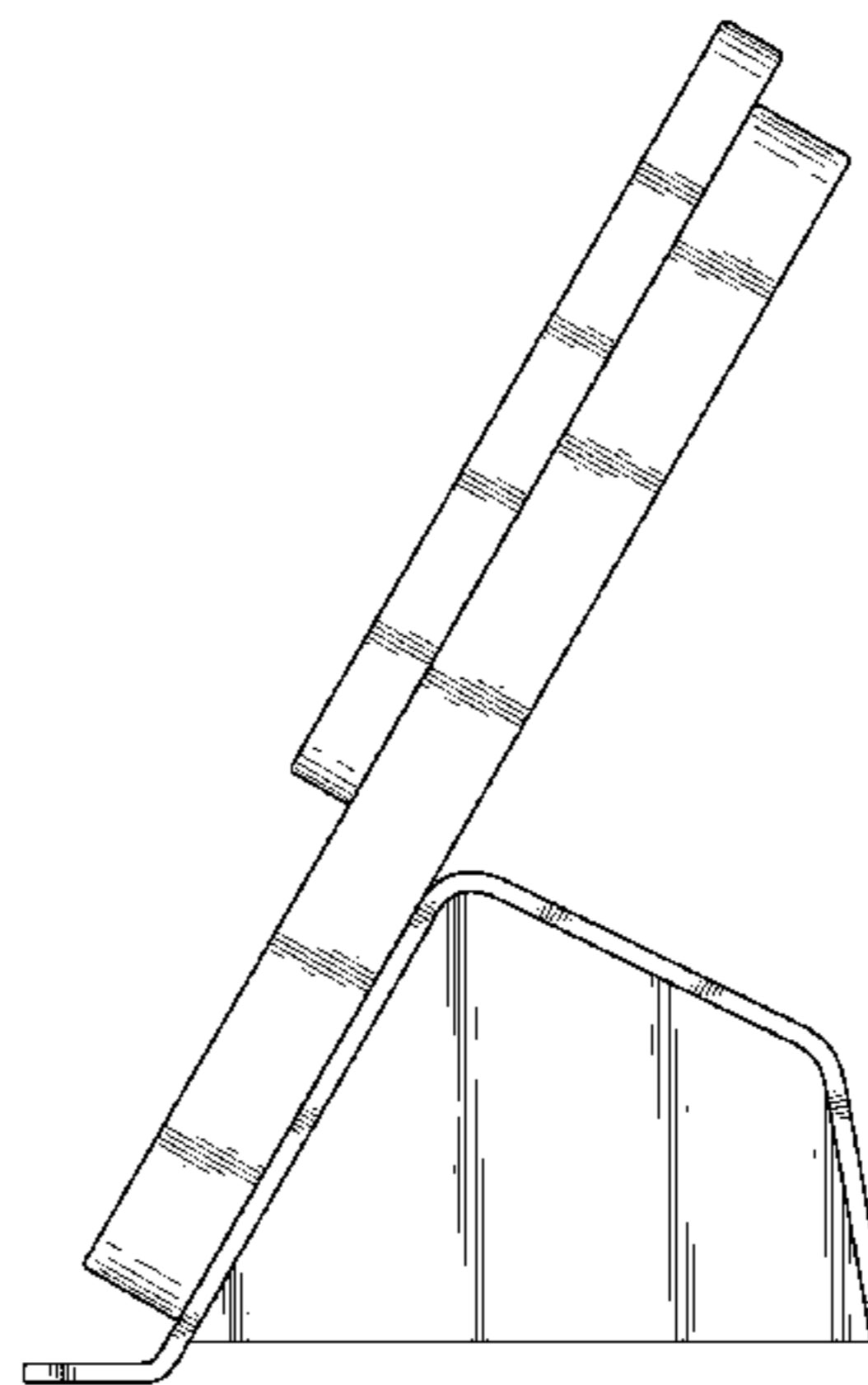
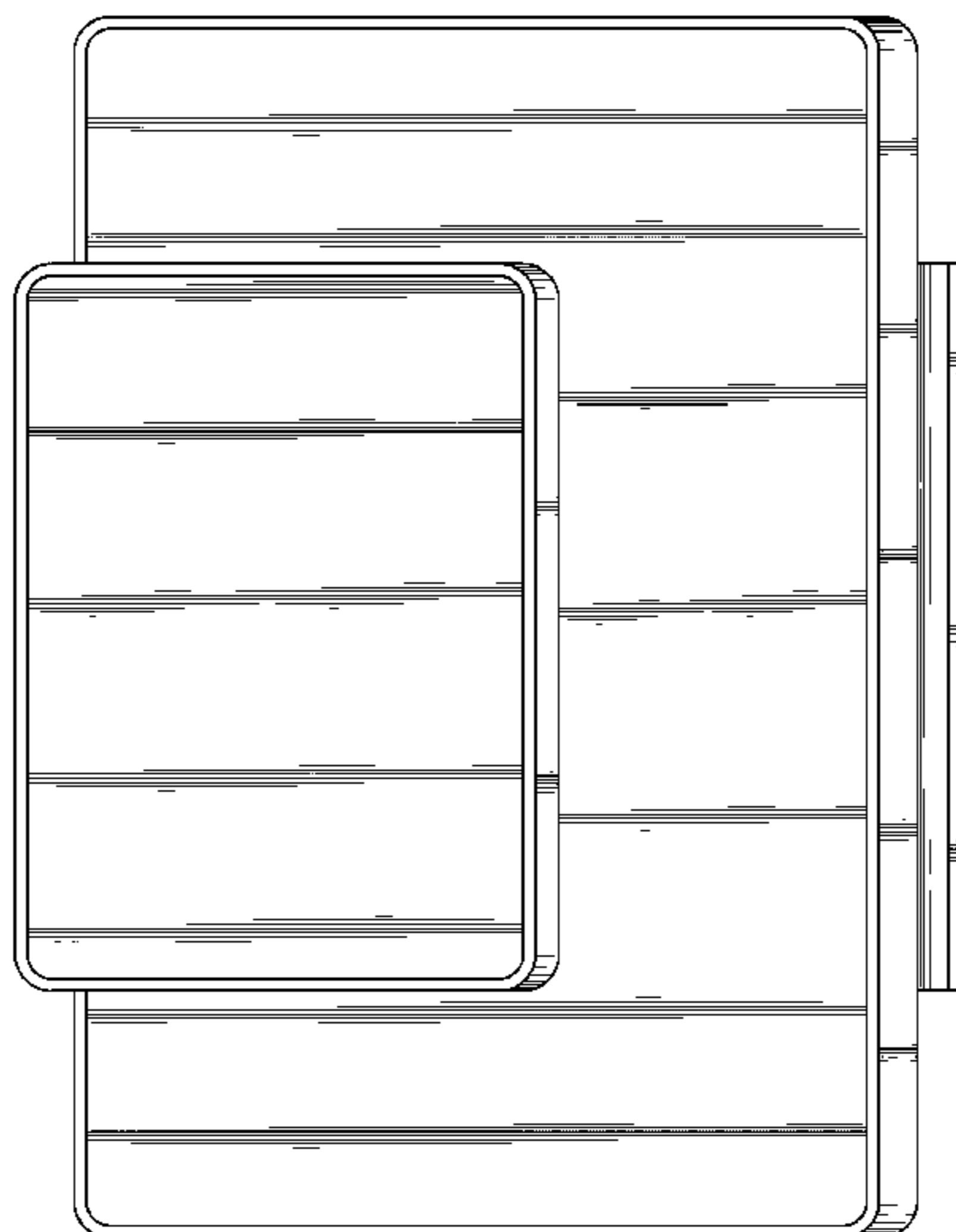
FIG. 12 is a left side view thereof;

FIG. 13 is a top plan view thereof; and,

FIG. 14 is a bottom plan view thereof.

In FIGS. 7 and 14, the broken lines represent unclaimed boundaries of the claimed design. The broken lines and the unshaded region that is bounded on two sides by broken lines and on two sides by solid lines forms no part of the claimed design.

1 Claim, 14 Drawing Sheets



US D643,825 S

Page 2

U.S. PATENT DOCUMENTS

D323,657 S 2/1992 Danielson et al.
5,100,098 A * 3/1992 Hawkins 248/291.1
D341,586 S 11/1993 Alvarez-Ryan et al.
D346,594 S 5/1994 Skaggs et al.
D350,743 S 9/1994 Hicks et al.
D354,485 S * 1/1995 Maeno et al. D14/129
D354,954 S 1/1995 Naito et al.
D373,576 S 9/1996 Liggett
5,619,397 A 4/1997 Honda et al.
D408,375 S 4/1999 Oba
D408,383 S 4/1999 Carter et al.
D411,987 S * 7/1999 Mizusugi et al. D14/329
D415,148 S 10/1999 Ma et al.
D420,009 S * 2/2000 Dunn et al. D14/141.3
D425,875 S * 5/2000 Wilson D14/307
D435,525 S 12/2000 Eddington et al.
D440,542 S * 4/2001 Hawkins et al. D14/346
D457,870 S 5/2002 Toyoshima et al.
D464,050 S 10/2002 Mori
D475,985 S 6/2003 Huang et al.
D477,601 S 7/2003 Liao
D478,881 S 8/2003 O'Leary et al.
D479,517 S 9/2003 Weidinger
D480,083 S 9/2003 Borsboom et al.
D485,265 S 1/2004 Sato et al.
D496,045 S 9/2004 Yang
D497,910 S 11/2004 Huang et al.
D500,252 S 12/2004 Hsu
D513,501 S 1/2006 Asanuma et al.
D514,558 S 2/2006 Nagel et al.
D523,828 S * 6/2006 Hoehn et al. D14/126
D545,692 S 7/2007 Bhavnani

D545,782 S * 7/2007 Schiller et al. D14/126
D551,224 S * 9/2007 Hatling et al. D14/331
D558,460 S 1/2008 Yu et al.
D561,734 S * 2/2008 Yamada et al. D14/159
D569,815 S 5/2008 Otani
D570,610 S 6/2008 Chuang
D572,025 S 7/2008 Kwon
D573,593 S 7/2008 Sasaki et al.
D573,960 S * 7/2008 Lee D14/126
D575,760 S 8/2008 Kim et al.
D581,897 S * 12/2008 Katori D14/151
D585,397 S 1/2009 Hwang
D585,399 S * 1/2009 Hwang D14/130
D587,261 S 2/2009 Skaf et al.
D592,625 S 5/2009 Hwang
D596,598 S 7/2009 Huang et al.
D600,455 S 9/2009 Nell
D609,662 S * 2/2010 Noreng et al. D14/130
D615,066 S * 5/2010 Huang et al. D14/142
D615,515 S * 5/2010 Hwang D14/130
D619,113 S * 7/2010 Sheppard et al. D14/130
2005/0126061 A1 6/2005 Lin

OTHER PUBLICATIONS

Tandberg 150 MXP, <URL:http://www.tandberg.com/personal-video-conferencing/personal-desktop-video-150mxp.jsp> retrieved from internet Jan. 14, 2010.

Hosted iPBX service with video, <URL:http://www.8x8.com/equipment/business/video_systems.aspx, retrieved from internet Jan. 14, 2010>.

* cited by examiner

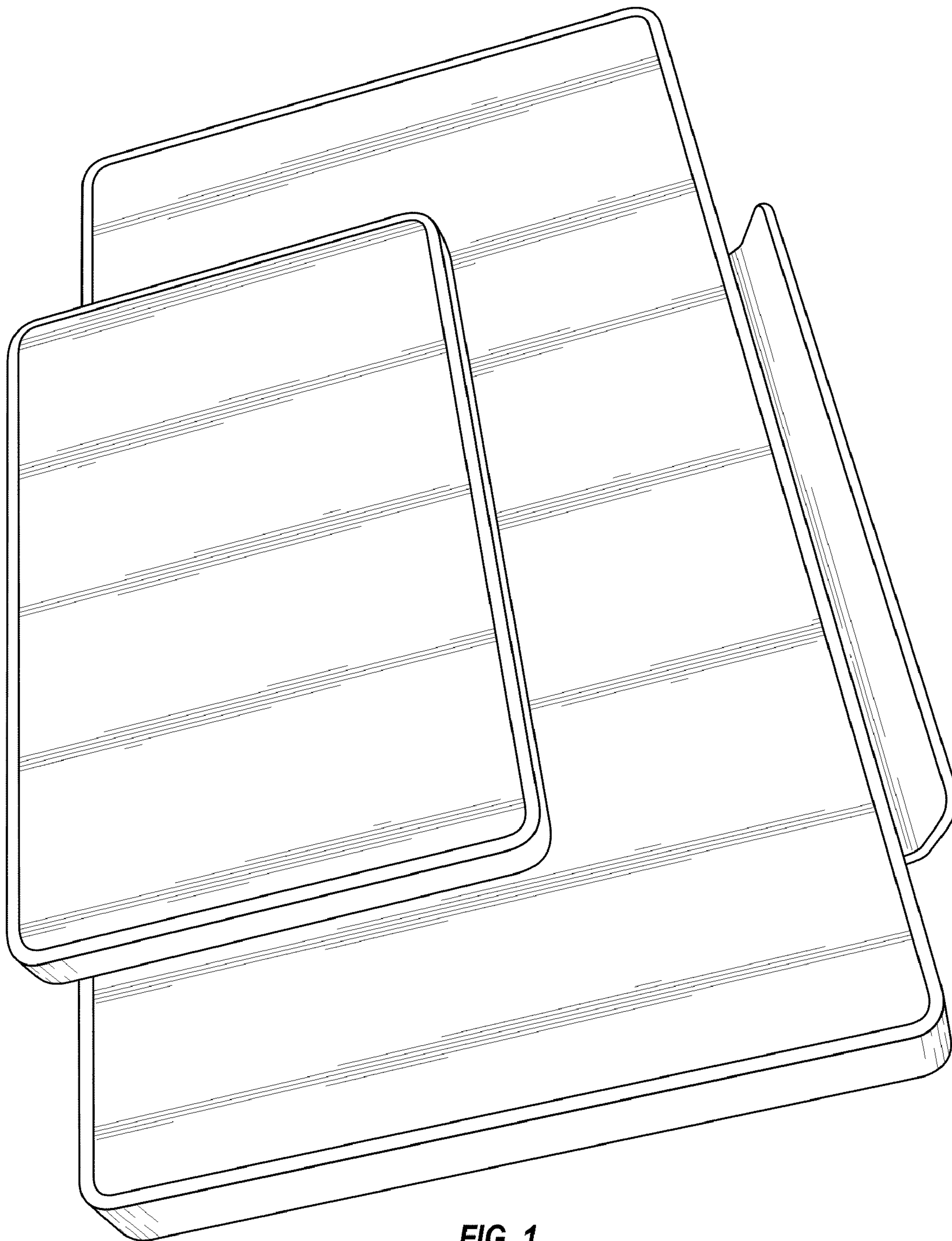


FIG. 1

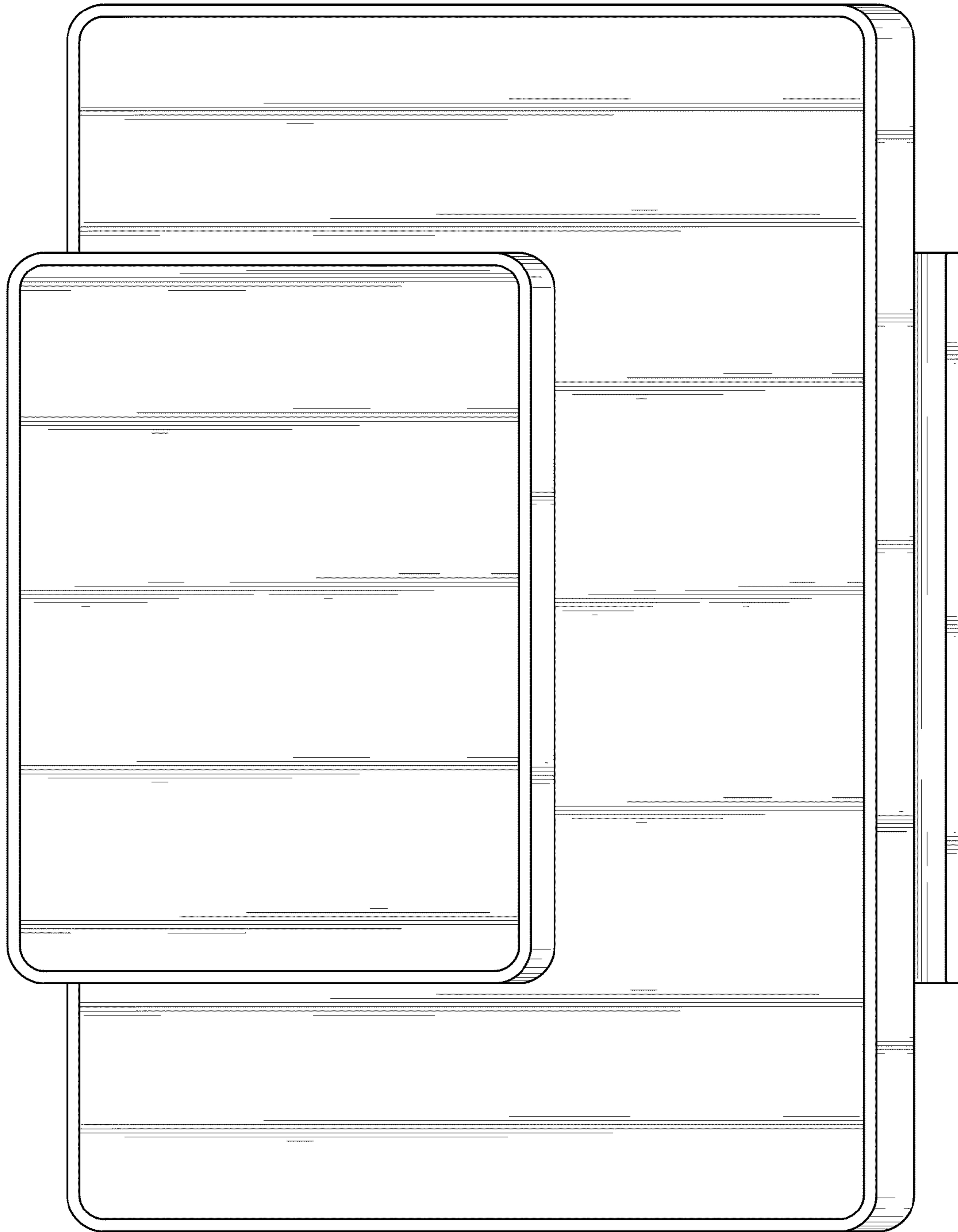


FIG. 2

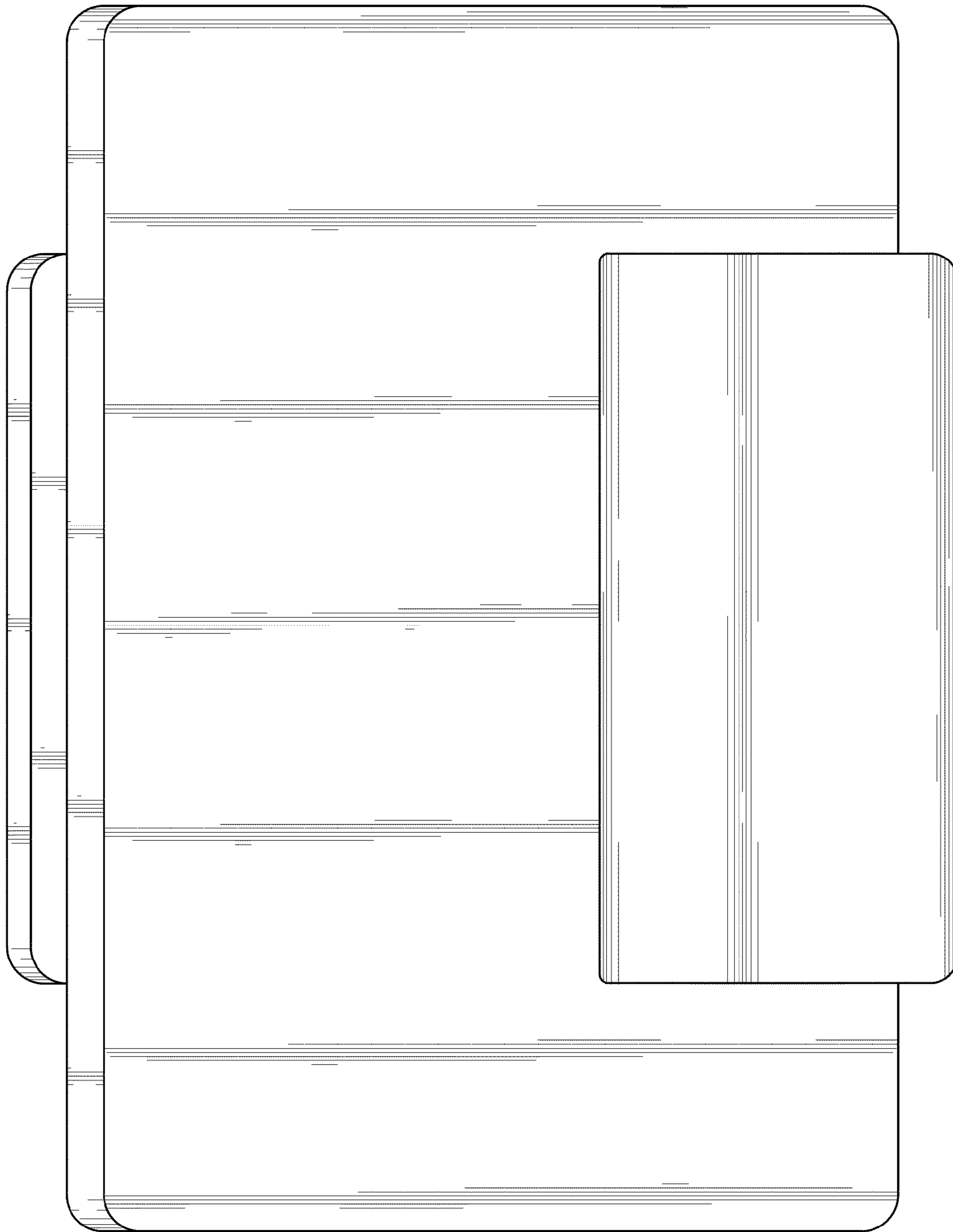


FIG. 3

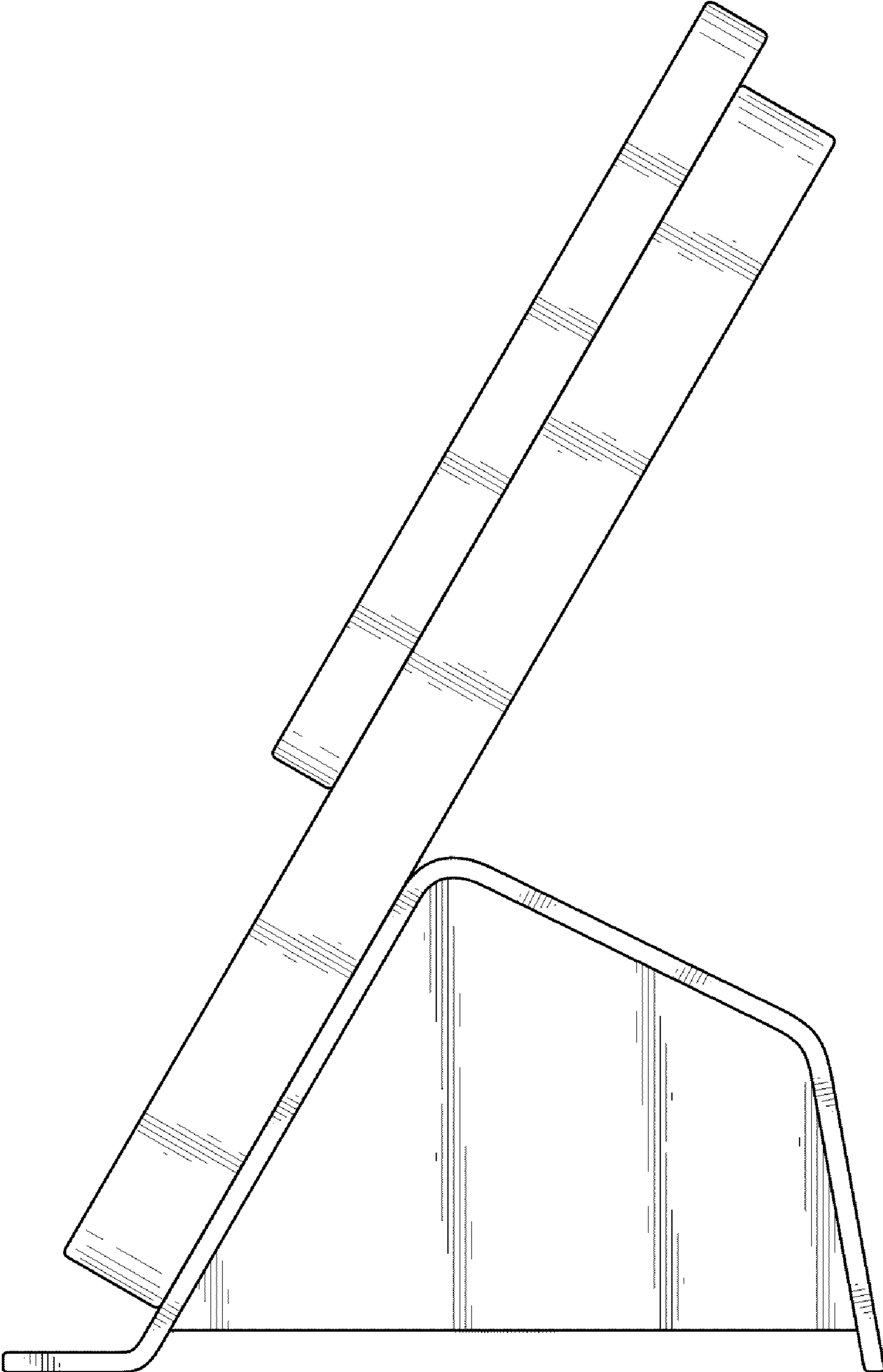


FIG. 4

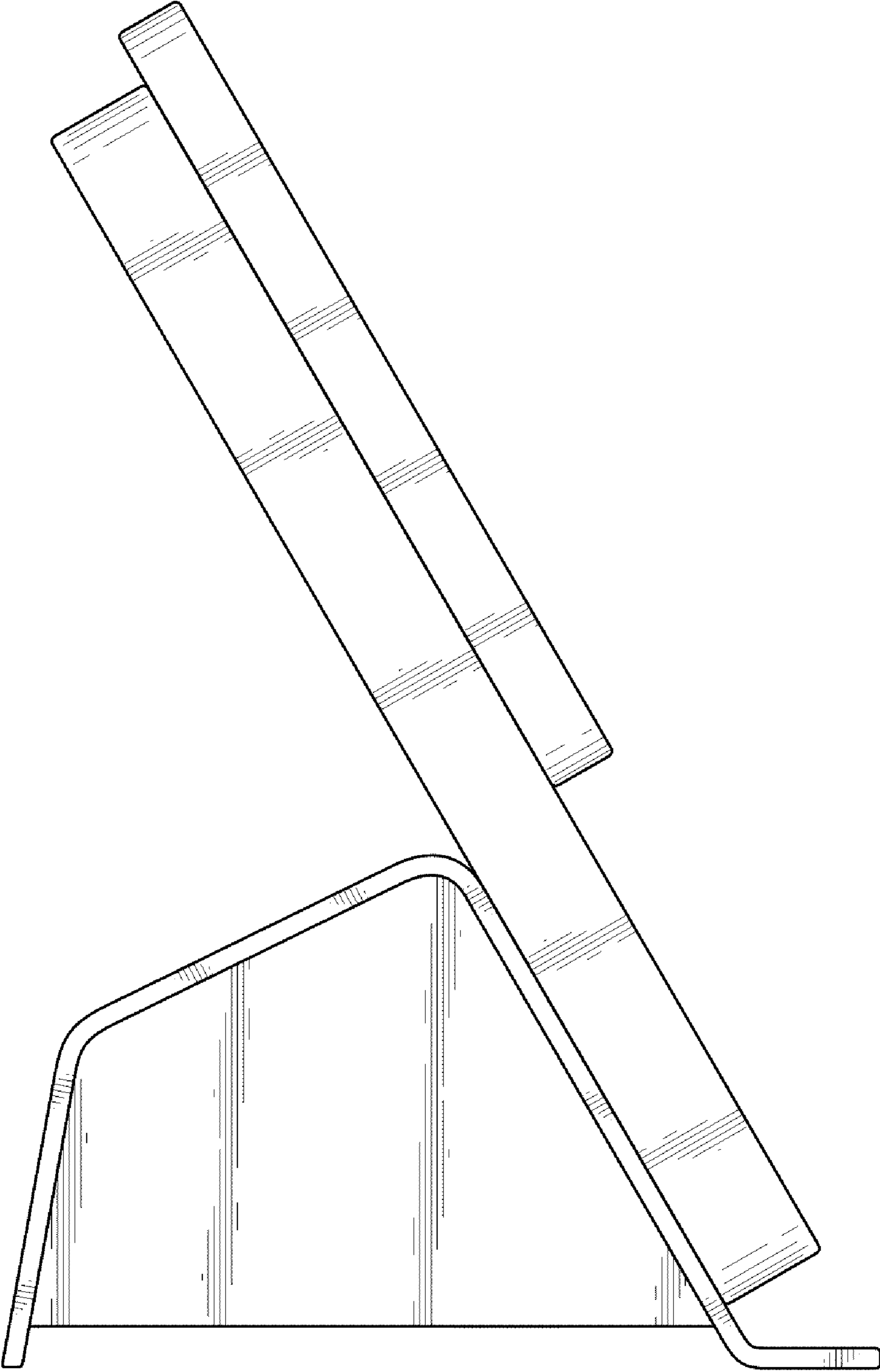


FIG. 5

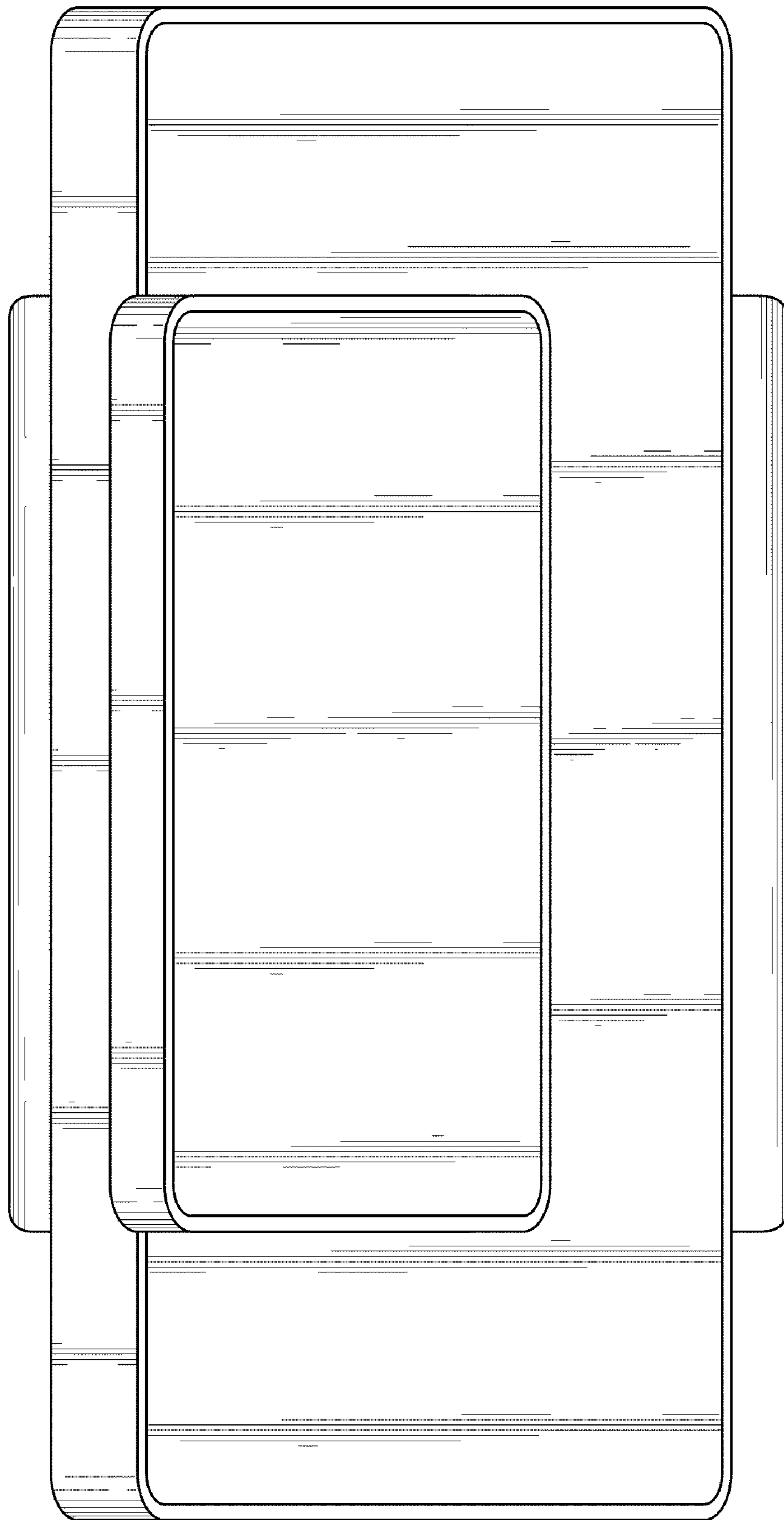


FIG. 6

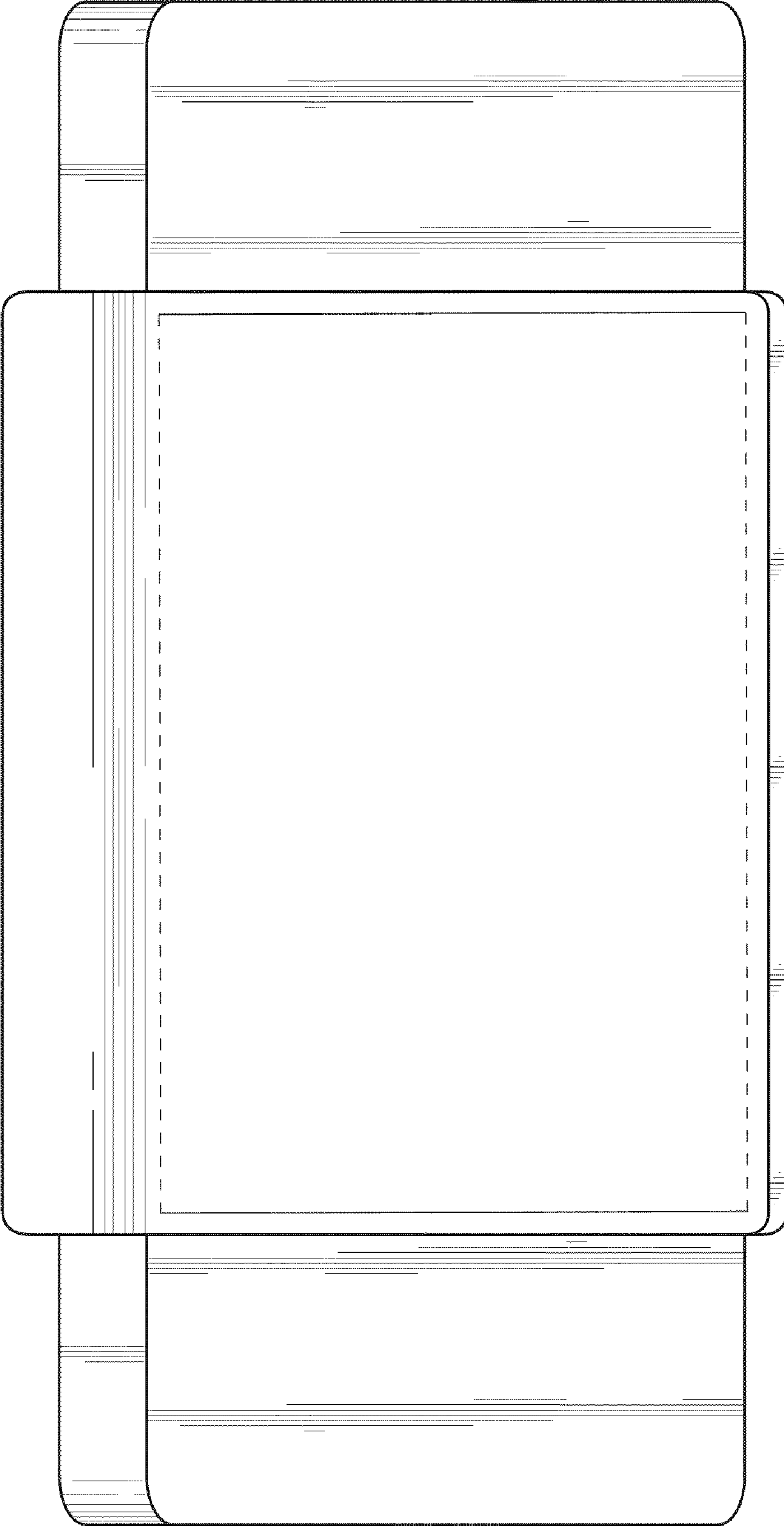


FIG. 7

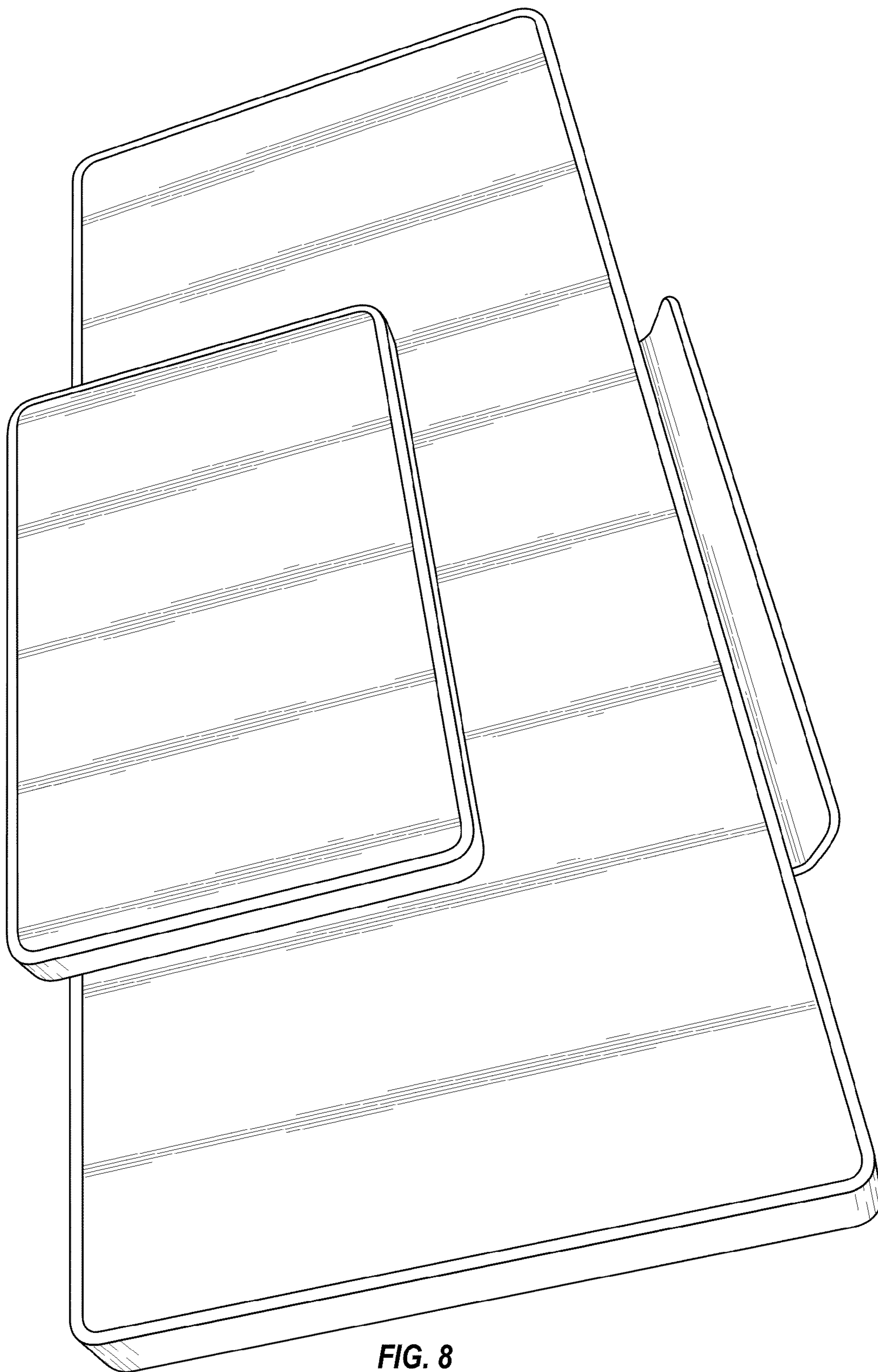


FIG. 8

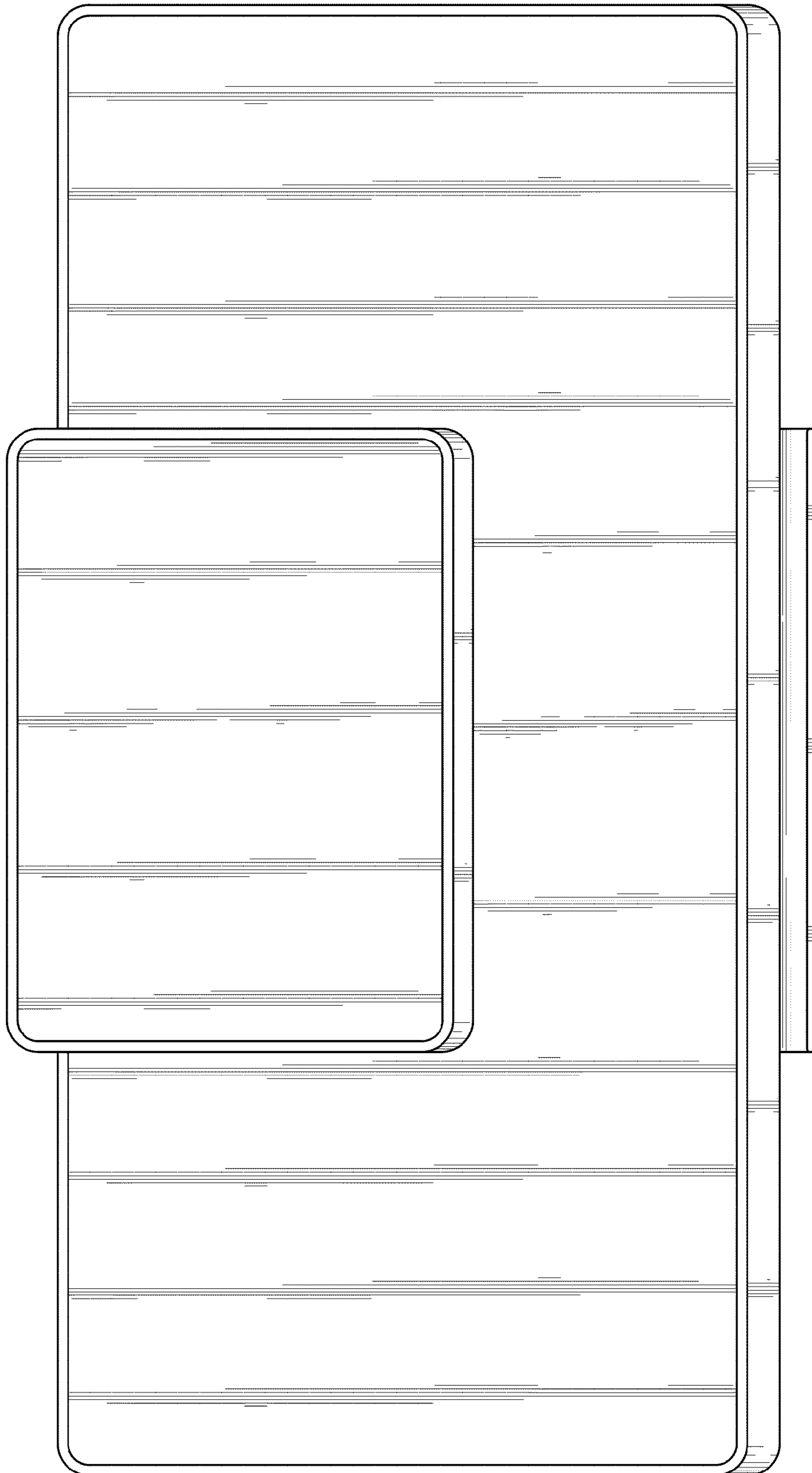


FIG. 9

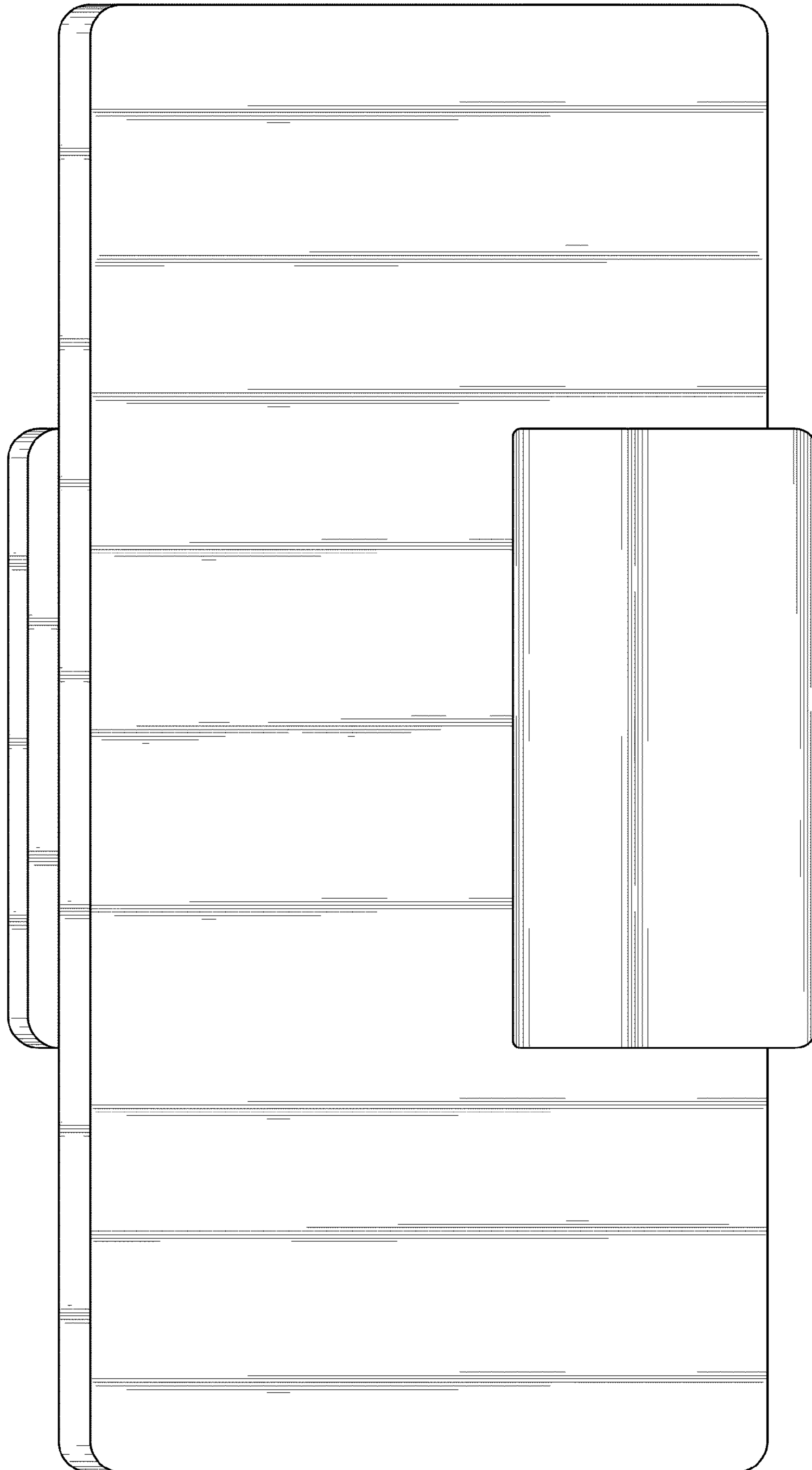


FIG. 10

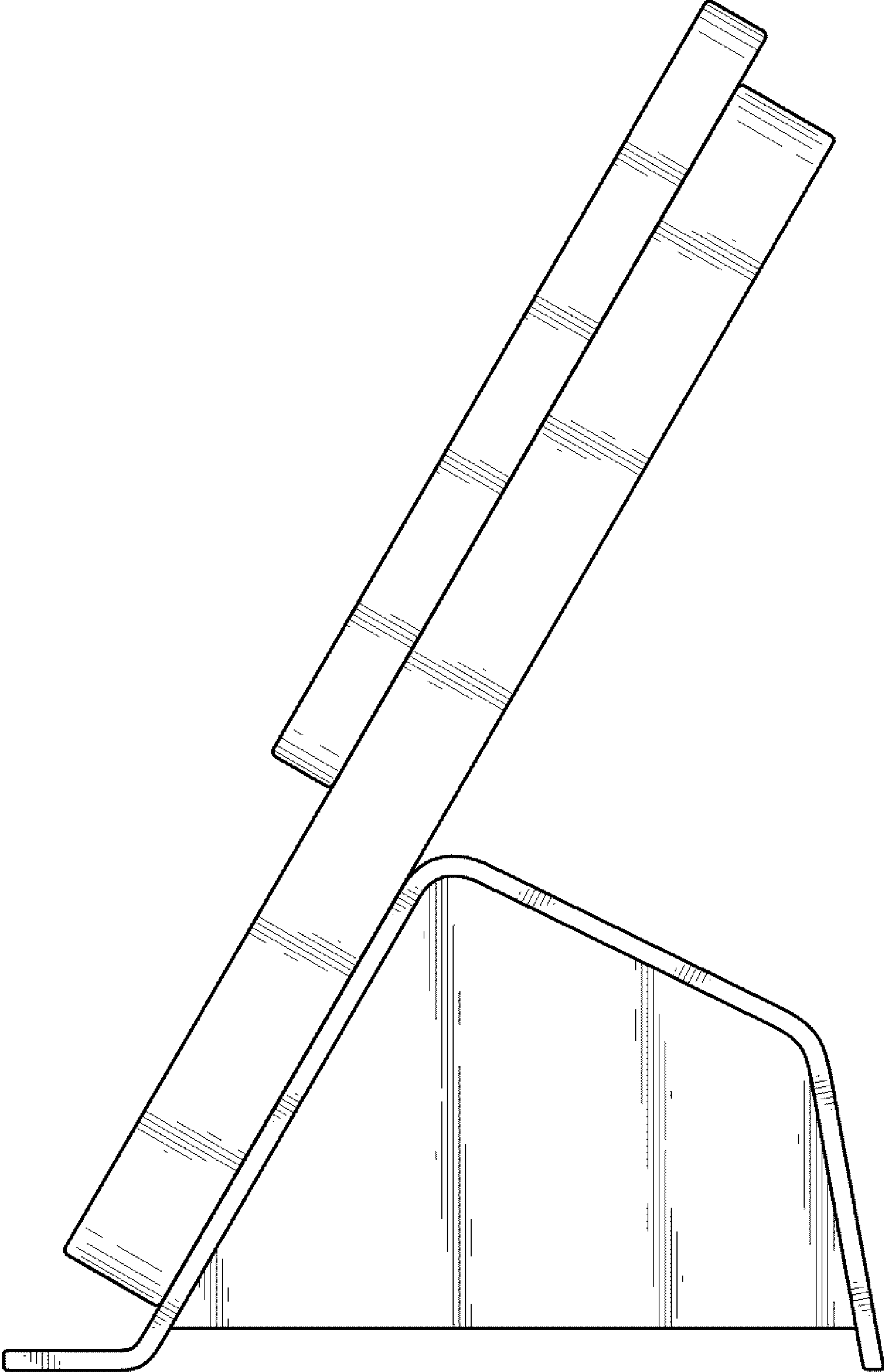


FIG. 11

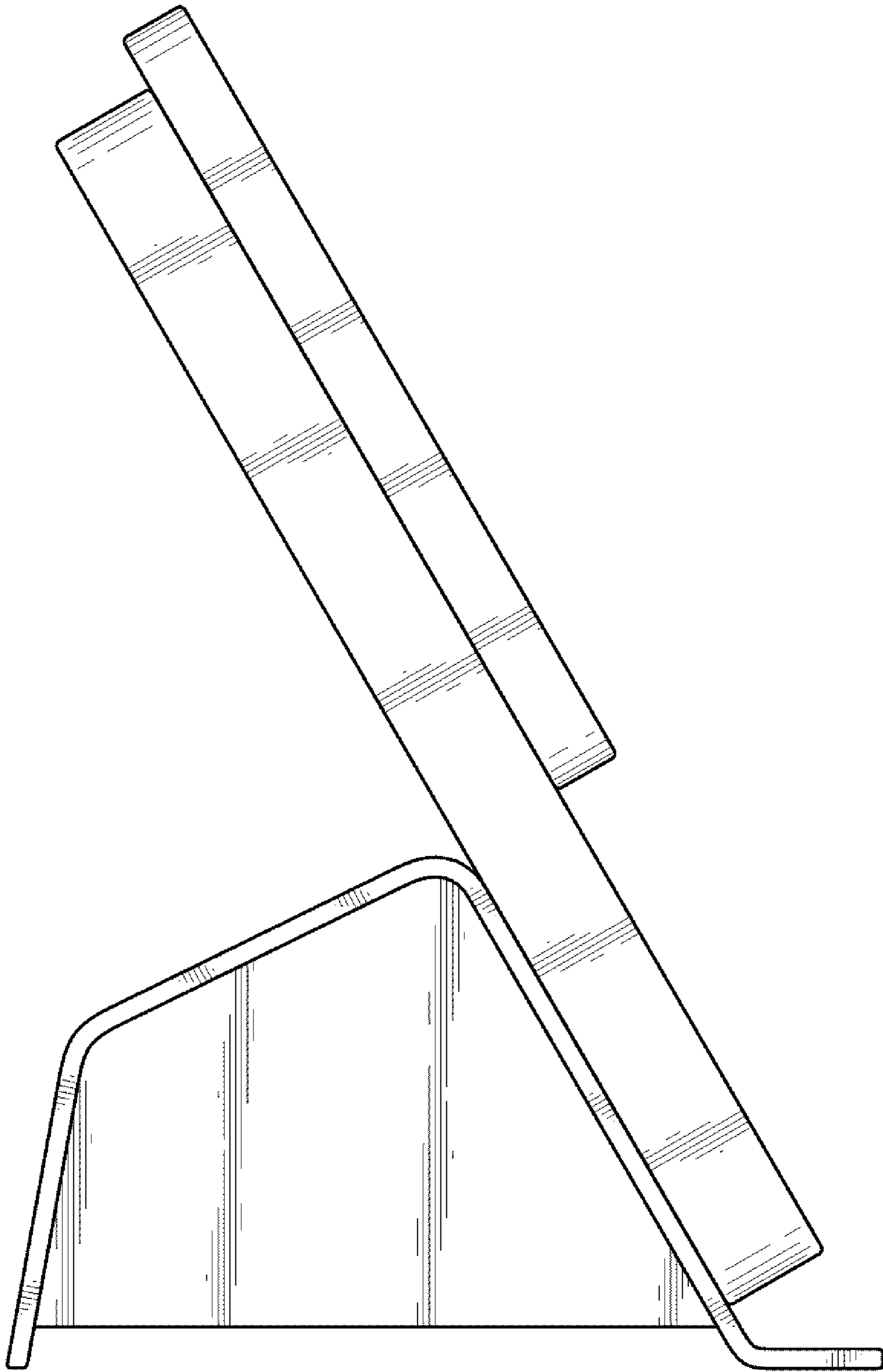


FIG. 12

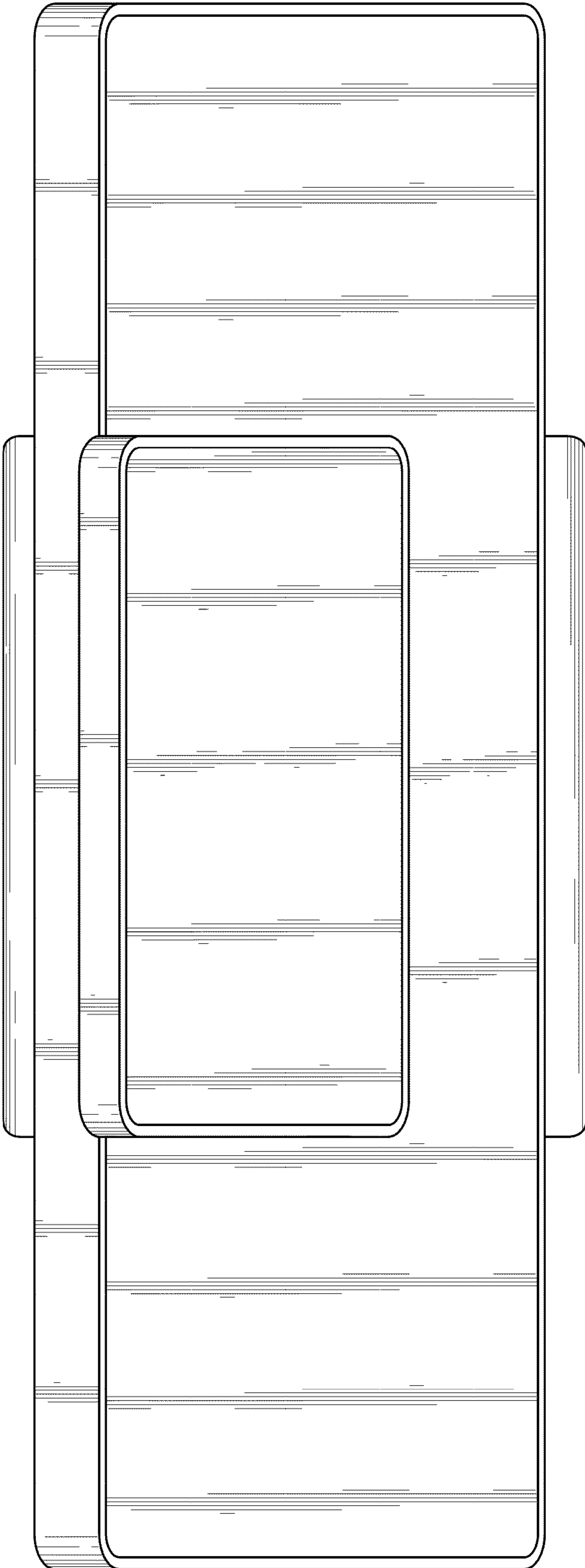


FIG. 13

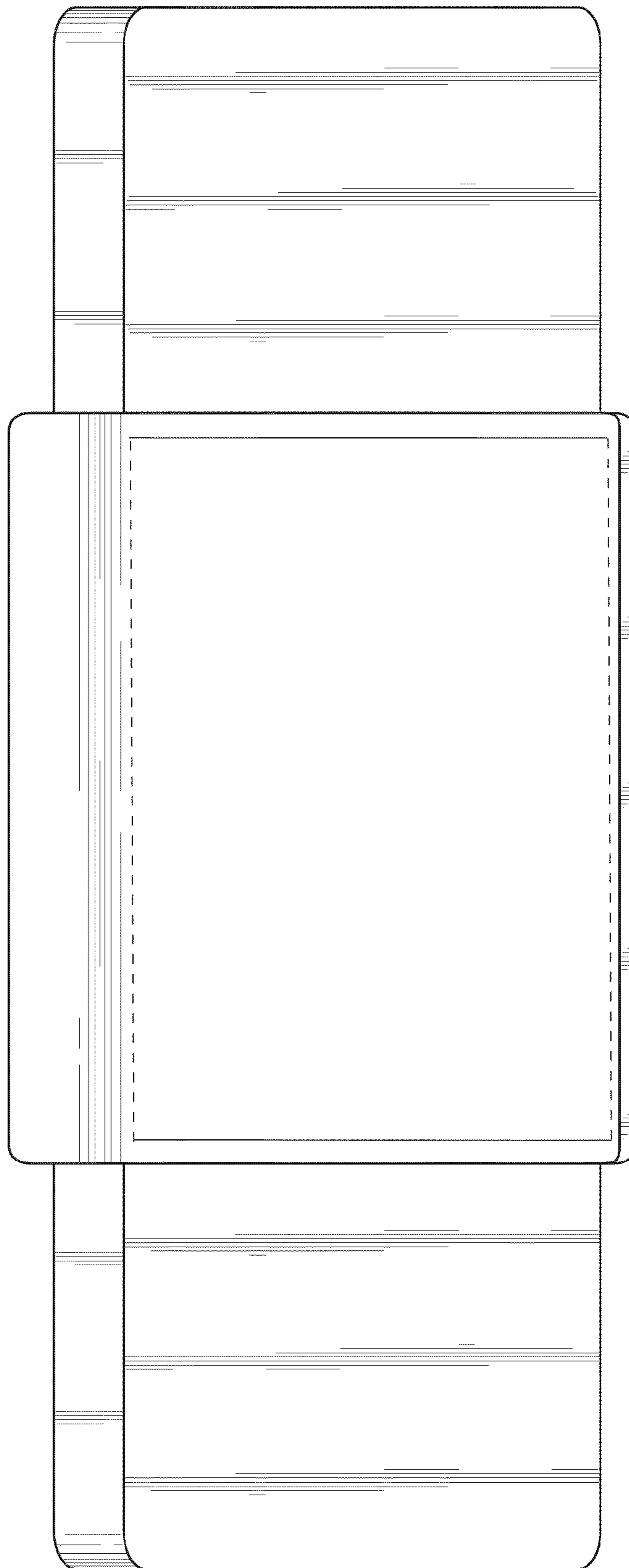


FIG. 14