



US00D643822S

(12) **United States Design Patent**
Crosby et al.

(10) **Patent No.:** **US D643,822 S**

(45) **Date of Patent:** **** Aug. 23, 2011**

(54) **SET TOP BOX**

(75) Inventors: **Ben Crosby**, Murphy, TX (US); **Andre de Salis**, Pasadena, CA (US)

(73) Assignee: **Thomson Licensing** (FR)

(**) Term: **14 Years**

(21) Appl. No.: **29/382,563**

(22) Filed: **Jan. 5, 2011**

(51) **LOC (9) Cl.** **14-03**

(52) **U.S. Cl.** **D14/125**

(58) **Field of Classification Search** D14/125-134,
D14/168, 188, 197, 198, 371, 374-377; 312/7.1,
312/7.2; 348/836, 838, 180, 184, 325, 739;
341/12; 349/58; 720/600, 619, 646, 647,
720/655; 455/347-351; 369/75.11, 75.21
See application file for complete search history.

(56) **References Cited**

U.S. PATENT DOCUMENTS

D448,950 S * 10/2001 McIveen D6/449
D475,032 S * 5/2003 Ota D14/502
D524,319 S * 7/2006 Zamanian D14/447

D549,190 S * 8/2007 Paradise et al. D14/125
D572,674 S * 7/2008 Paradise D14/125
D574,823 S * 8/2008 Wung D14/357
D580,920 S * 11/2008 Wikel et al. D14/240
D584,254 S * 1/2009 Jeon et al. D14/125

* cited by examiner

Primary Examiner — Raphael Barkai

Assistant Examiner — Randall Gholson

(74) *Attorney, Agent, or Firm* — Tutunjian & Bitetto, P.C.;
John G. Tutunjian

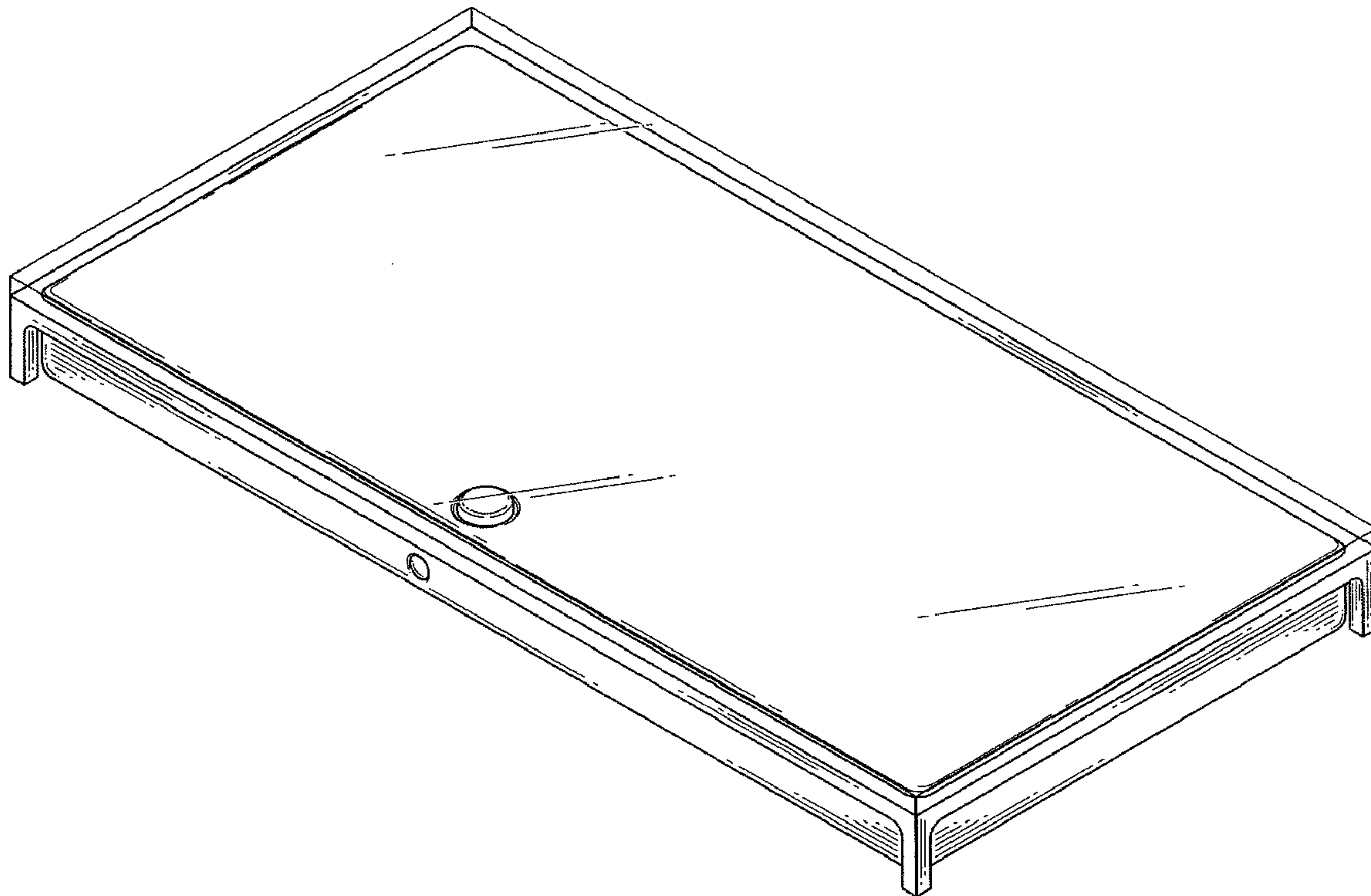
(57) **CLAIM**

The ornamental design for a set top box, as shown and described.

DESCRIPTION

FIG. 1 is a front right perspective view of the set top box showing our new design;
FIG. 2 is a front view thereof
FIG. 3 is a rear view thereof;
FIG. 4 is a top view thereof;
FIG. 5 is bottom view thereof;
FIG. 6 is a left side view thereof; and,
FIG. 7 is a right side view thereof.

1 Claim, 3 Drawing Sheets



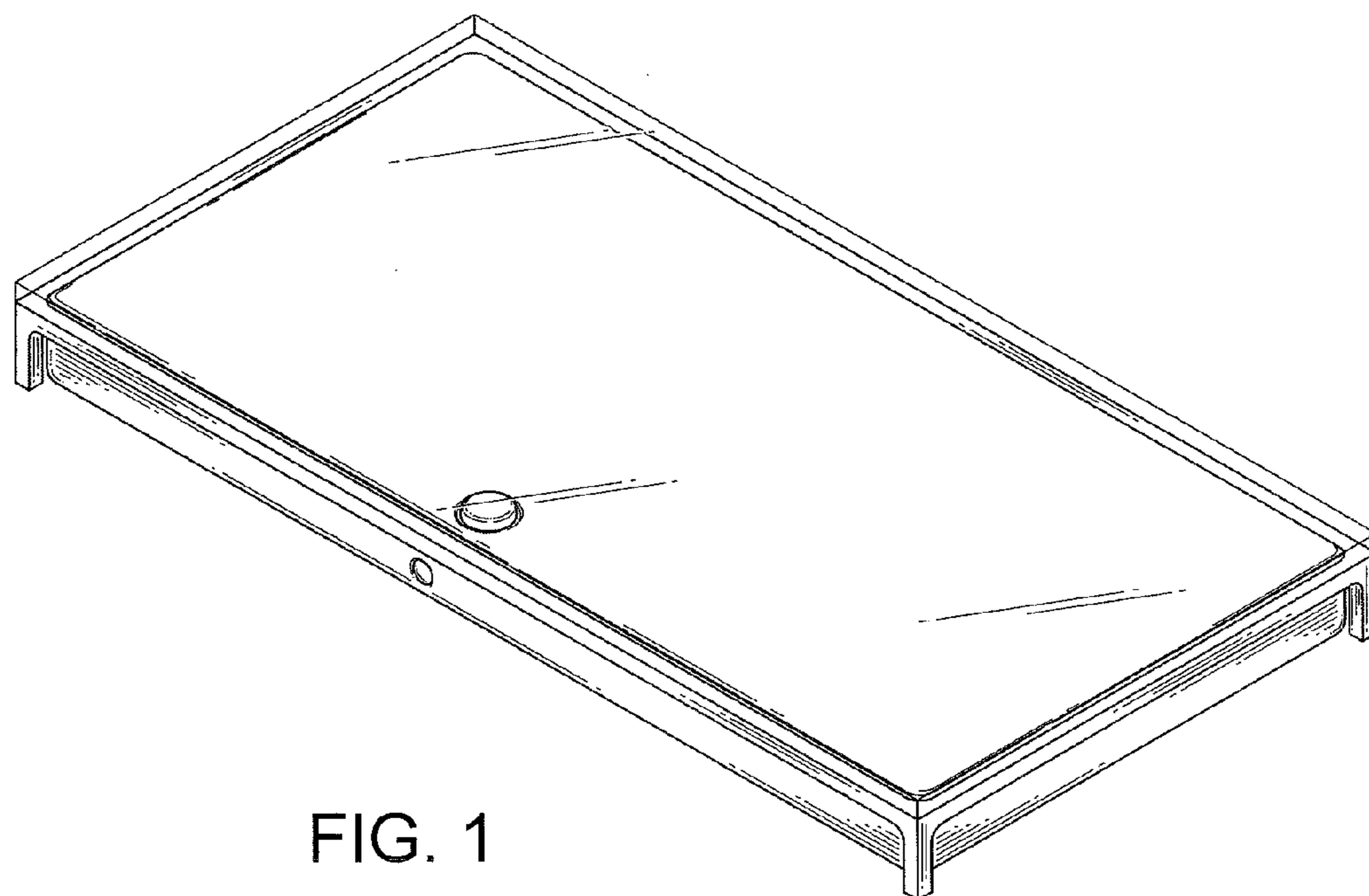


FIG. 1

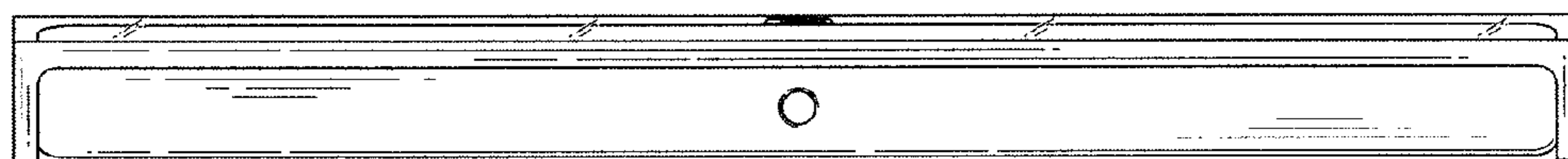


FIG. 2



FIG. 3

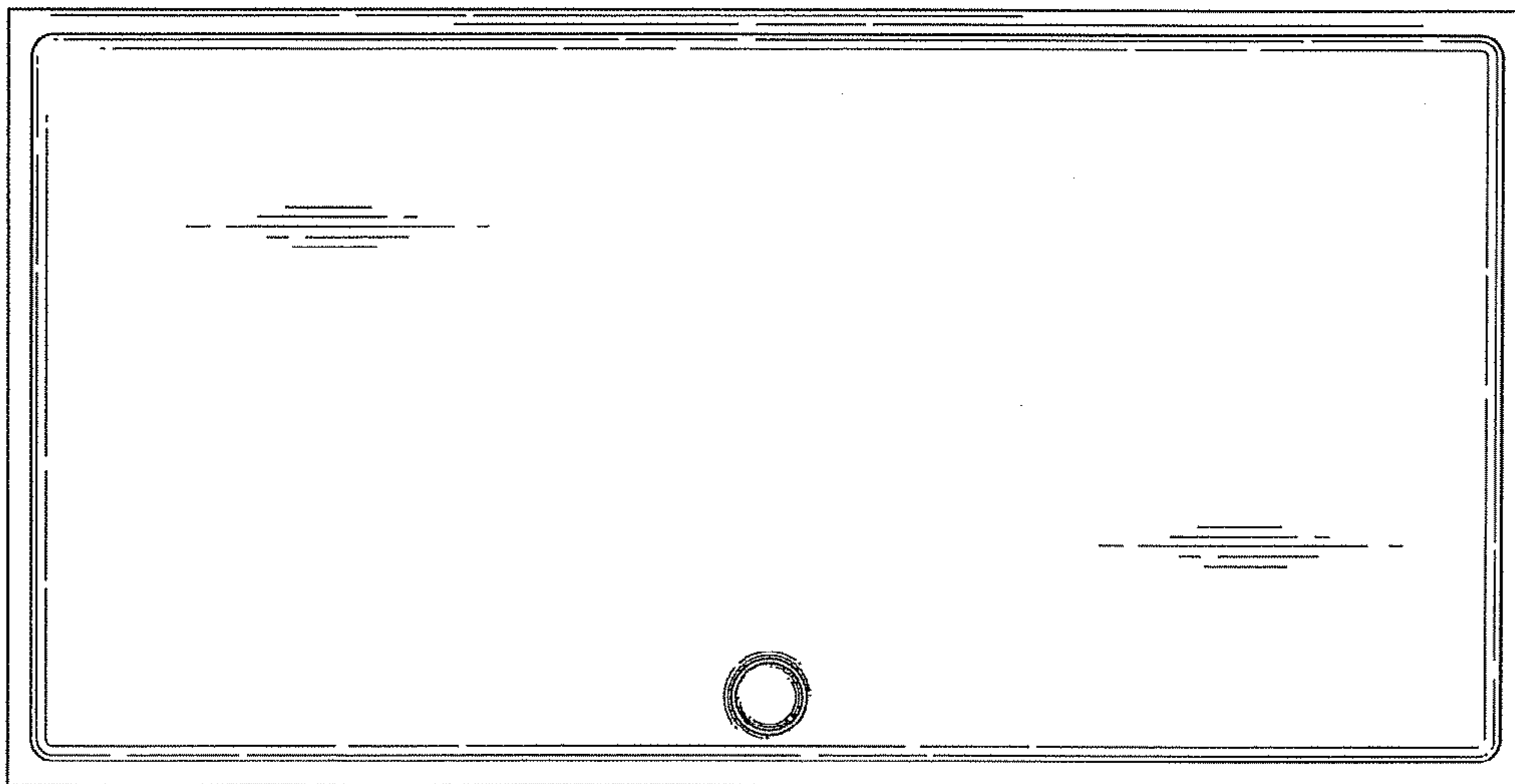


FIG. 4

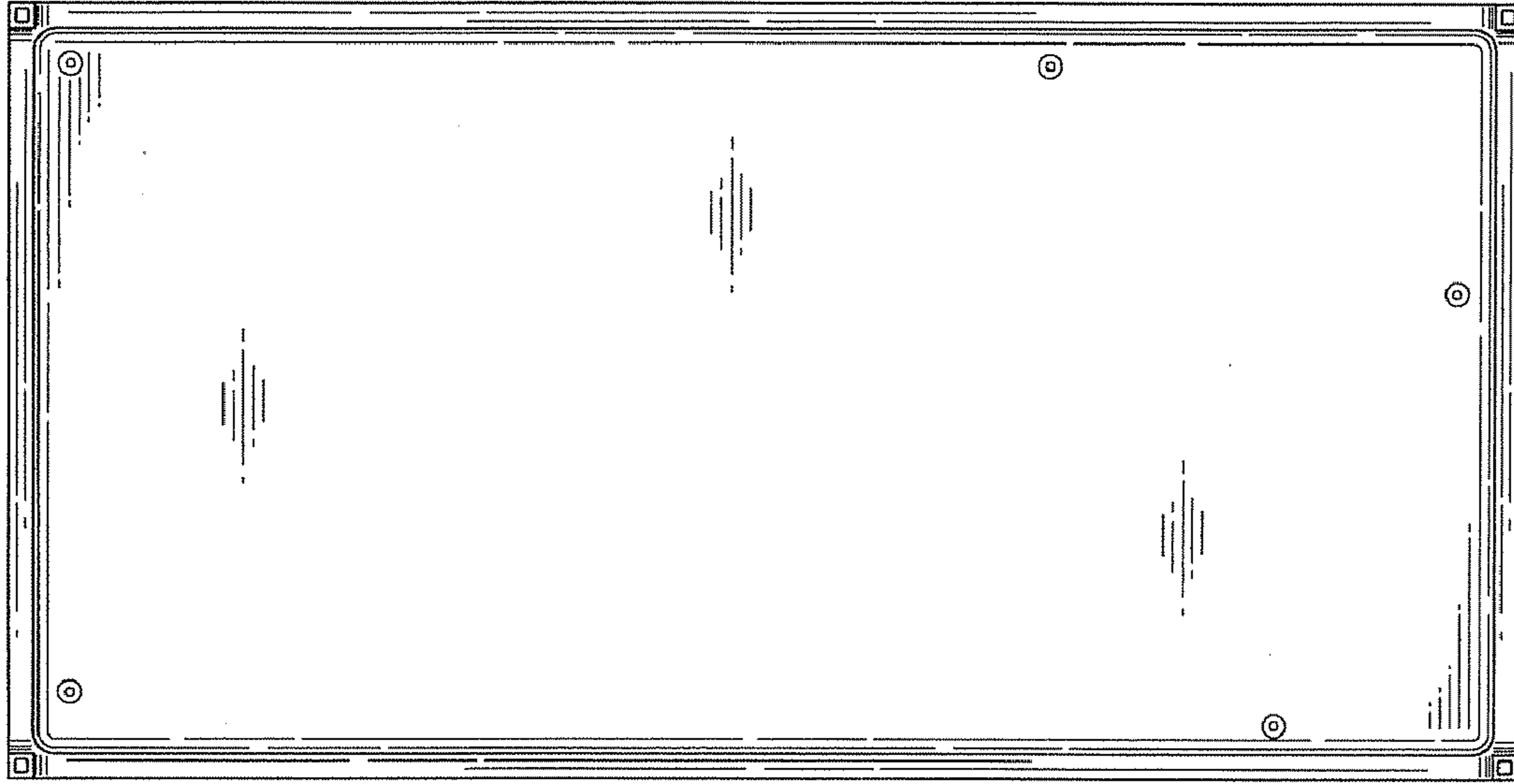


FIG. 5

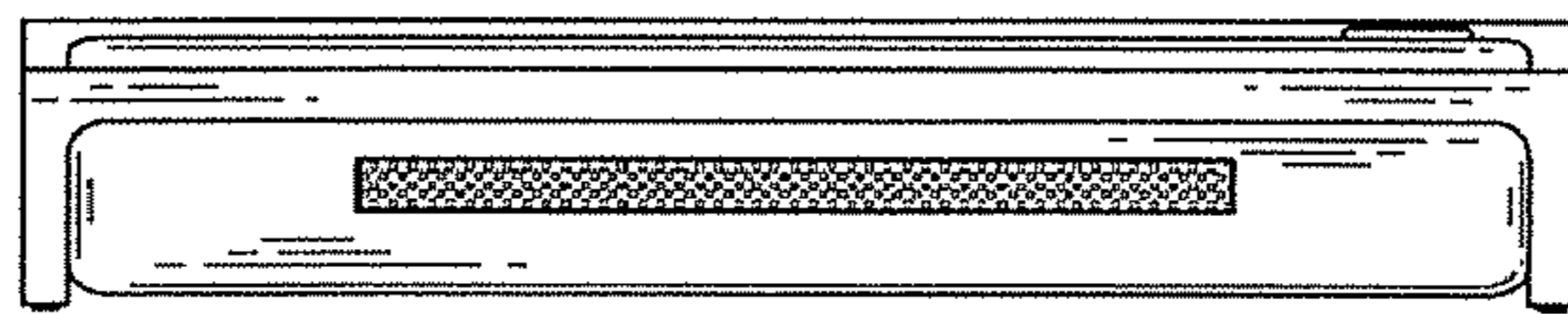


FIG. 6

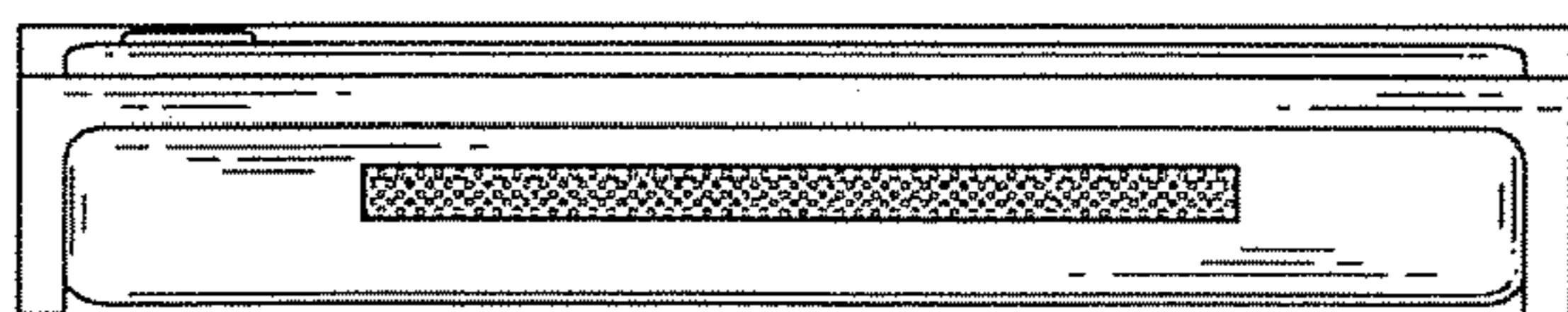


FIG. 7