



US00D643818S

(12) **United States Design Patent**
Bryan

(10) **Patent No.:** **US D643,818 S**

(45) **Date of Patent:** **** Aug. 23, 2011**

(54) **BUTTONS AND LIGHTS**

(75) Inventor: **Jon Bryan**, Buckinghamshire (GB)

(73) Assignee: **Retrieva Limited**, Buckinghamshire (GB)

(**) Term: **14 Years**

(21) Appl. No.: **29/324,282**

(22) Filed: **Sep. 10, 2008**

(30) **Foreign Application Priority Data**

Mar. 11, 2008 (EM) 000897442

(51) **LOC (9) Cl.** **13-03**

(52) **U.S. Cl.** **D13/171**

(58) **Field of Classification Search** D14/247,
D14/138 R, 138 AA, 138 AB, 138 AC, 138 AD,
D14/138 C, 138 D, 455, 456; D13/171
See application file for complete search history.

(56) **References Cited**

U.S. PATENT DOCUMENTS

D422,585 S * 4/2000 Ng et al. D14/137
D459,323 S * 6/2002 Jeong D14/138 AA
D529,449 S * 10/2006 Pratt D13/171

* cited by examiner

Primary Examiner — Caron D Veynar

Assistant Examiner — George D Kirschbaum

(74) *Attorney, Agent, or Firm* — Roylance, Abrams, Berdo & Goodman, L.L.P.

(57) **CLAIM**

The ornamental design for an buttons and lights, as shown and described.

DESCRIPTION

FIG. 1 is a perspective view of the arrangement for buttons and lights on an article according to the invention;

FIG. 2 is a top plan view of the arrangement for buttons and lights of FIG. 1;

FIG. 3 is a bottom view of the arrangement for buttons and lights of FIG. 1;

FIG. 4 is a front side view of the arrangement for buttons and lights of FIG. 1;

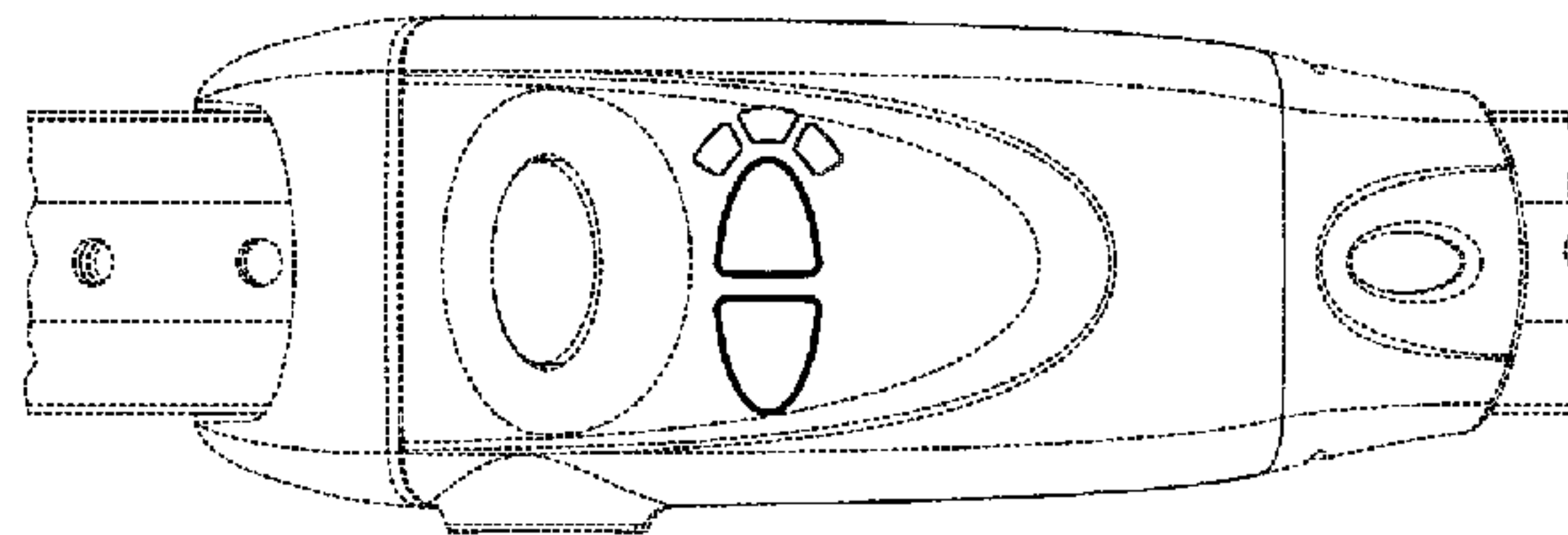
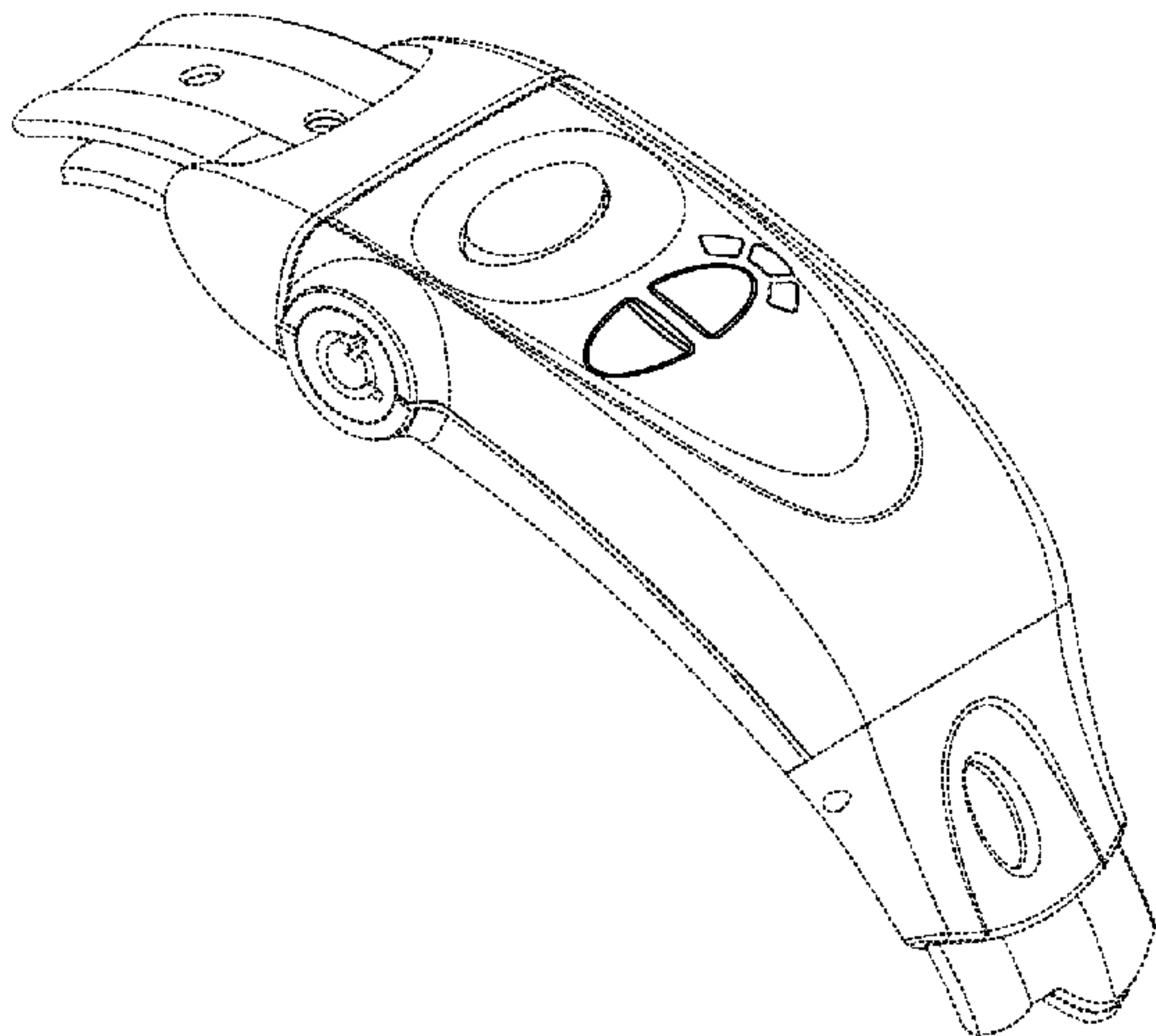
FIG. 5 is a rear side view of the arrangement for buttons and lights of FIG. 1;

FIG. 6 is an end view of the arrangement for buttons and lights as seen from the left side of FIG. 1; and,

FIG. 7 is an end view of the arrangement for buttons and lights as seen from the right side of FIG. 1.

In the drawings, the broken line showing of a buckle with strap depicts environmental subject matter and forms no part of the claim.

1 Claim, 3 Drawing Sheets



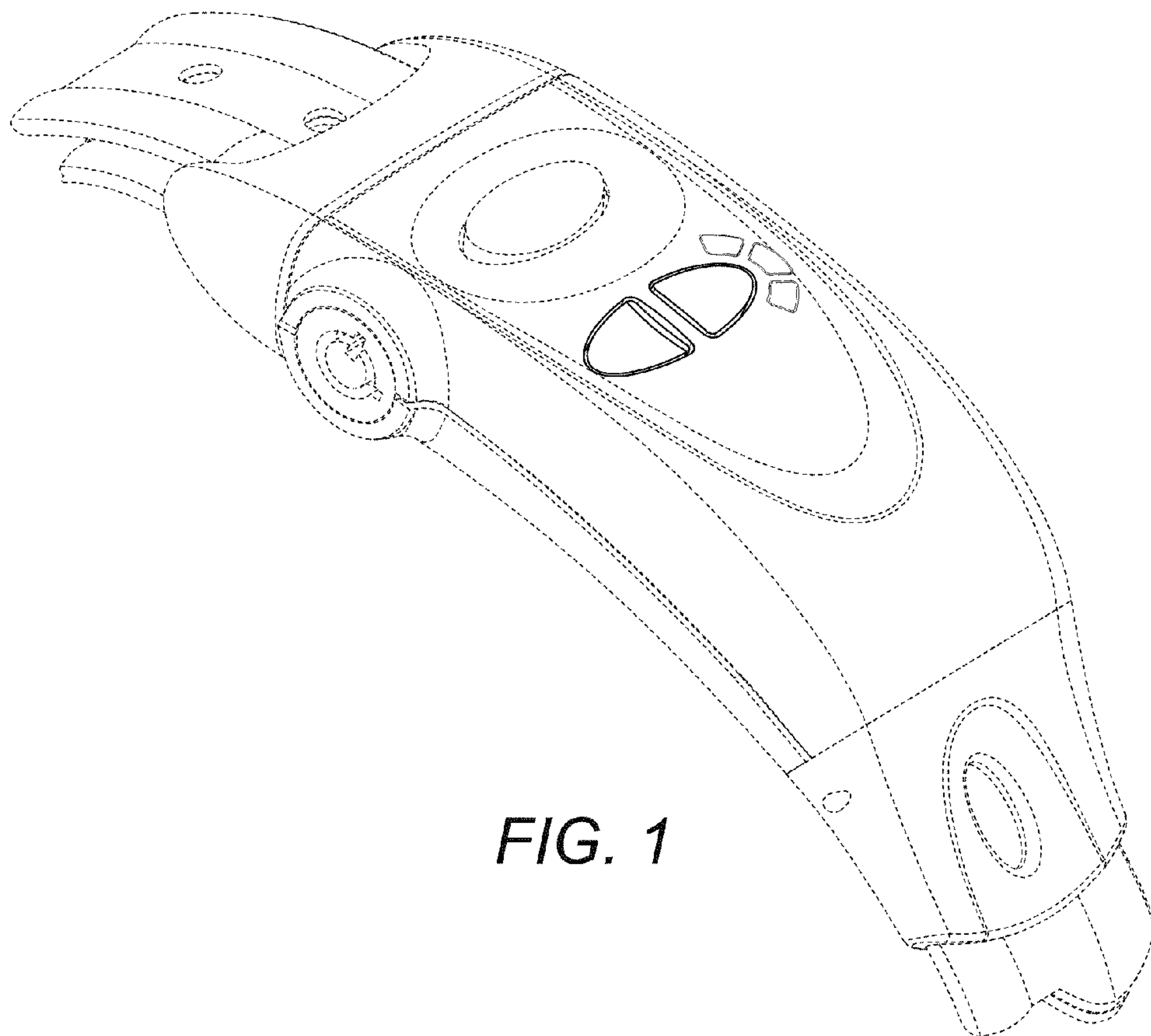


FIG. 1

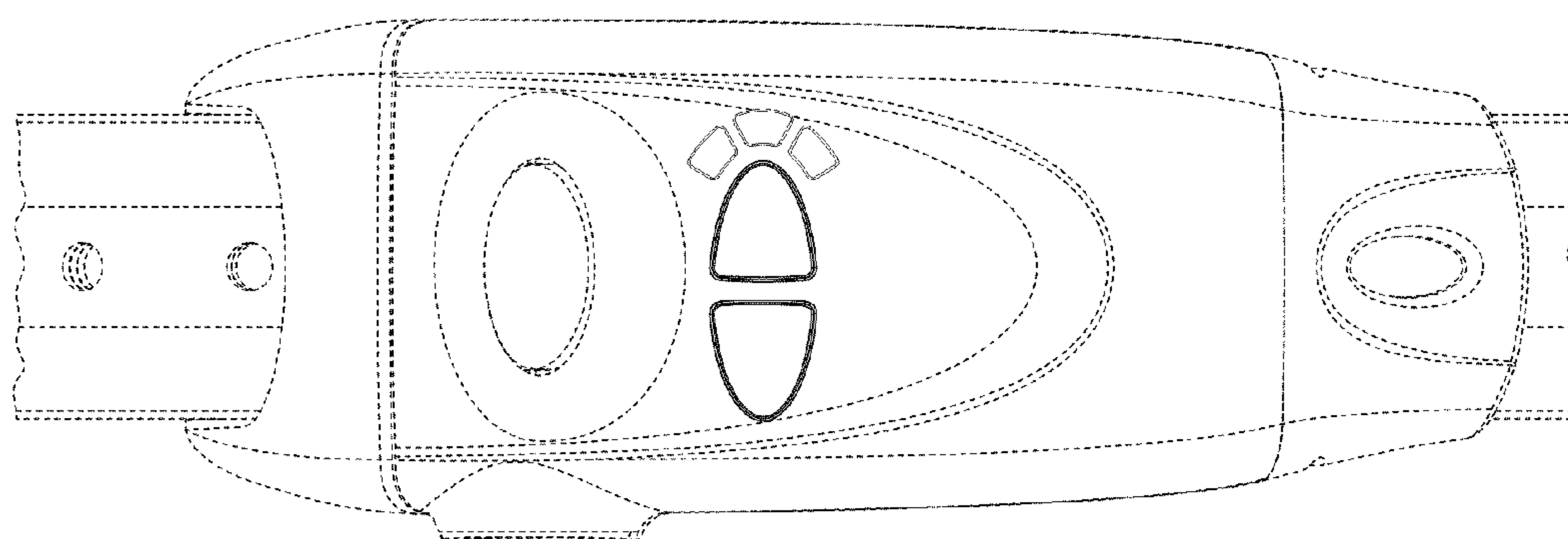


FIG. 2

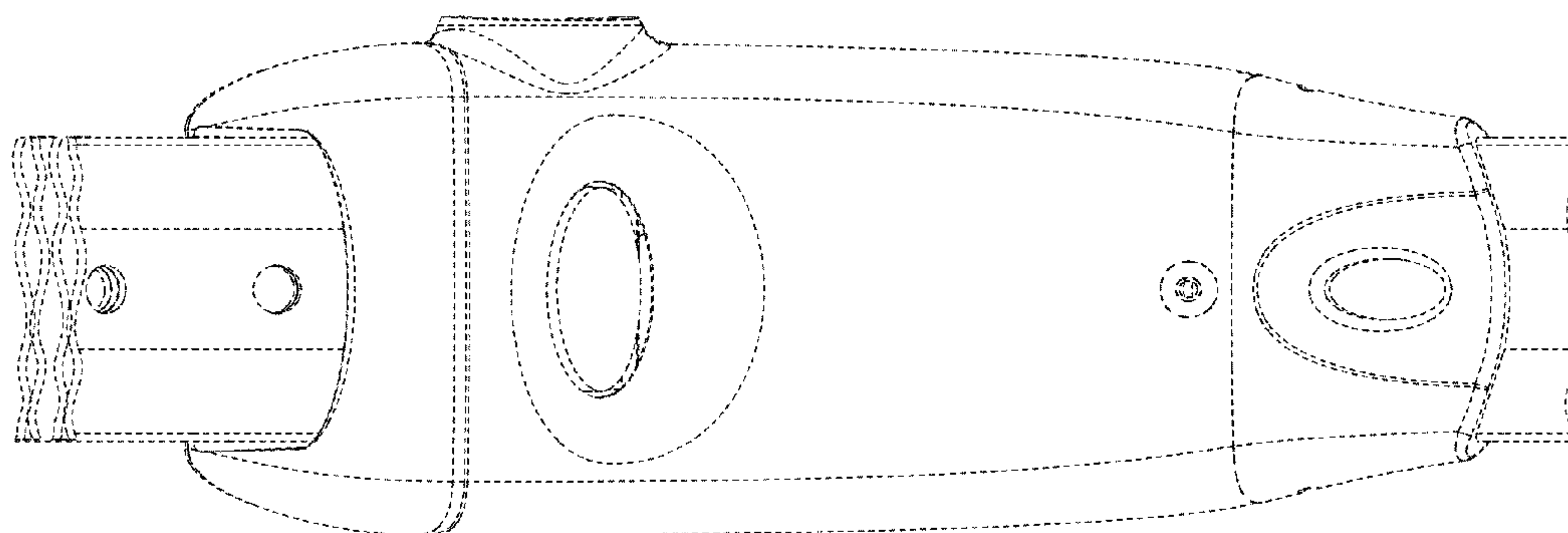


FIG. 3

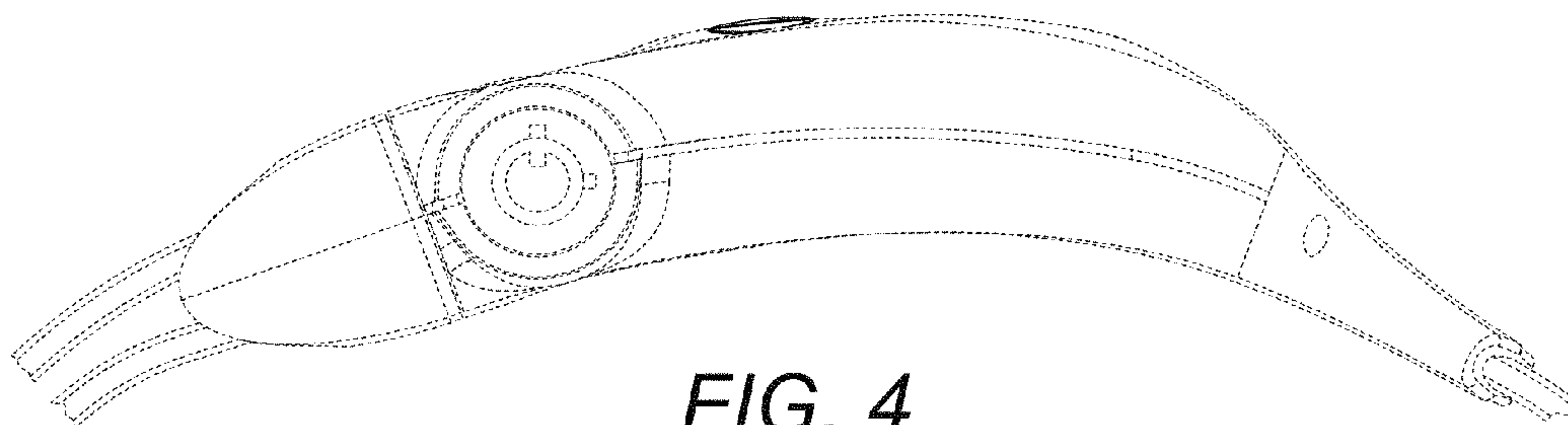


FIG. 4

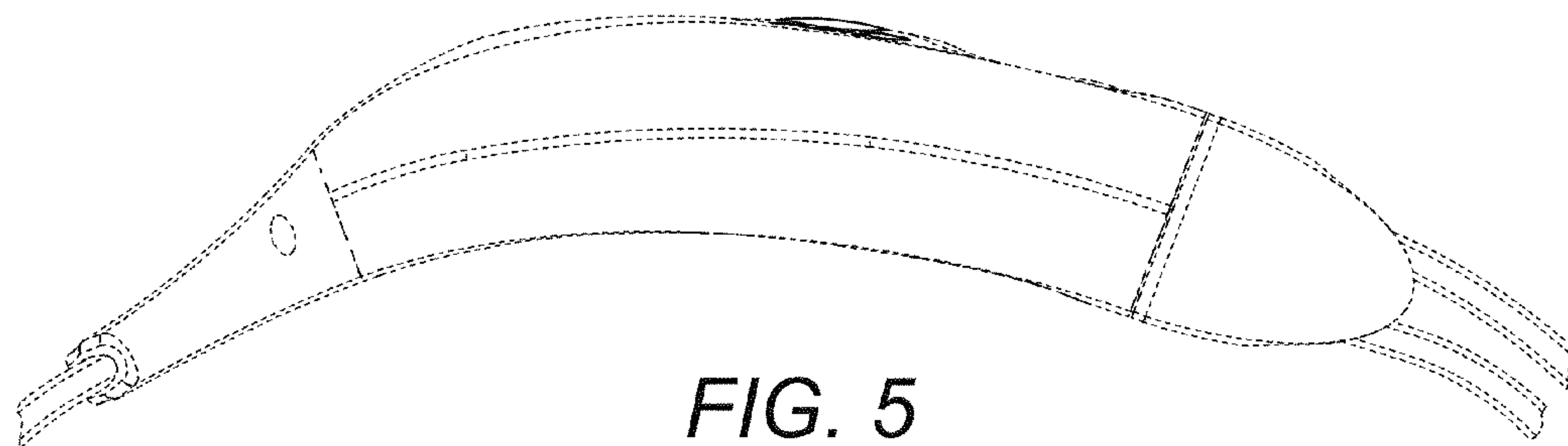


FIG. 5

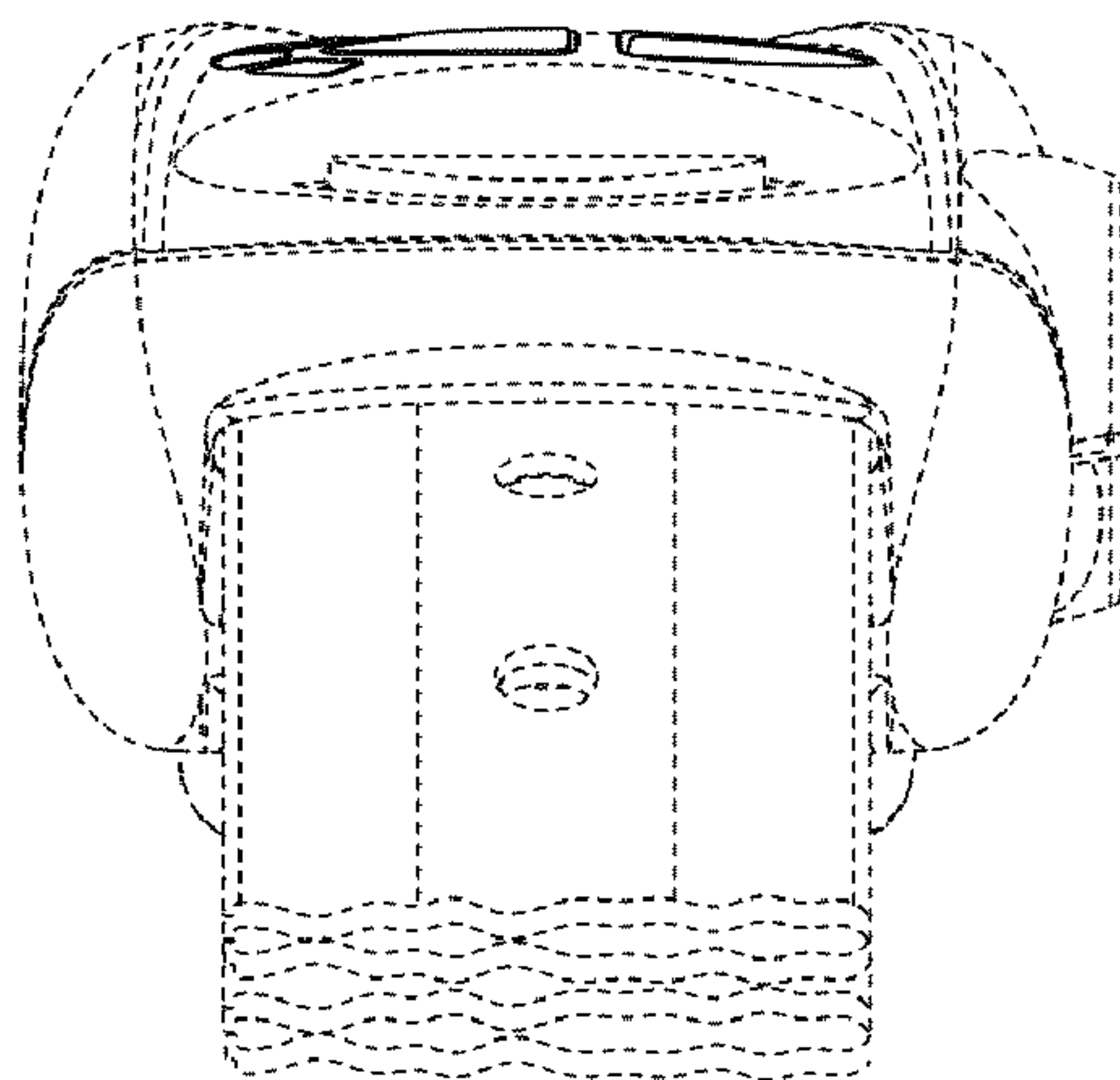


FIG. 6

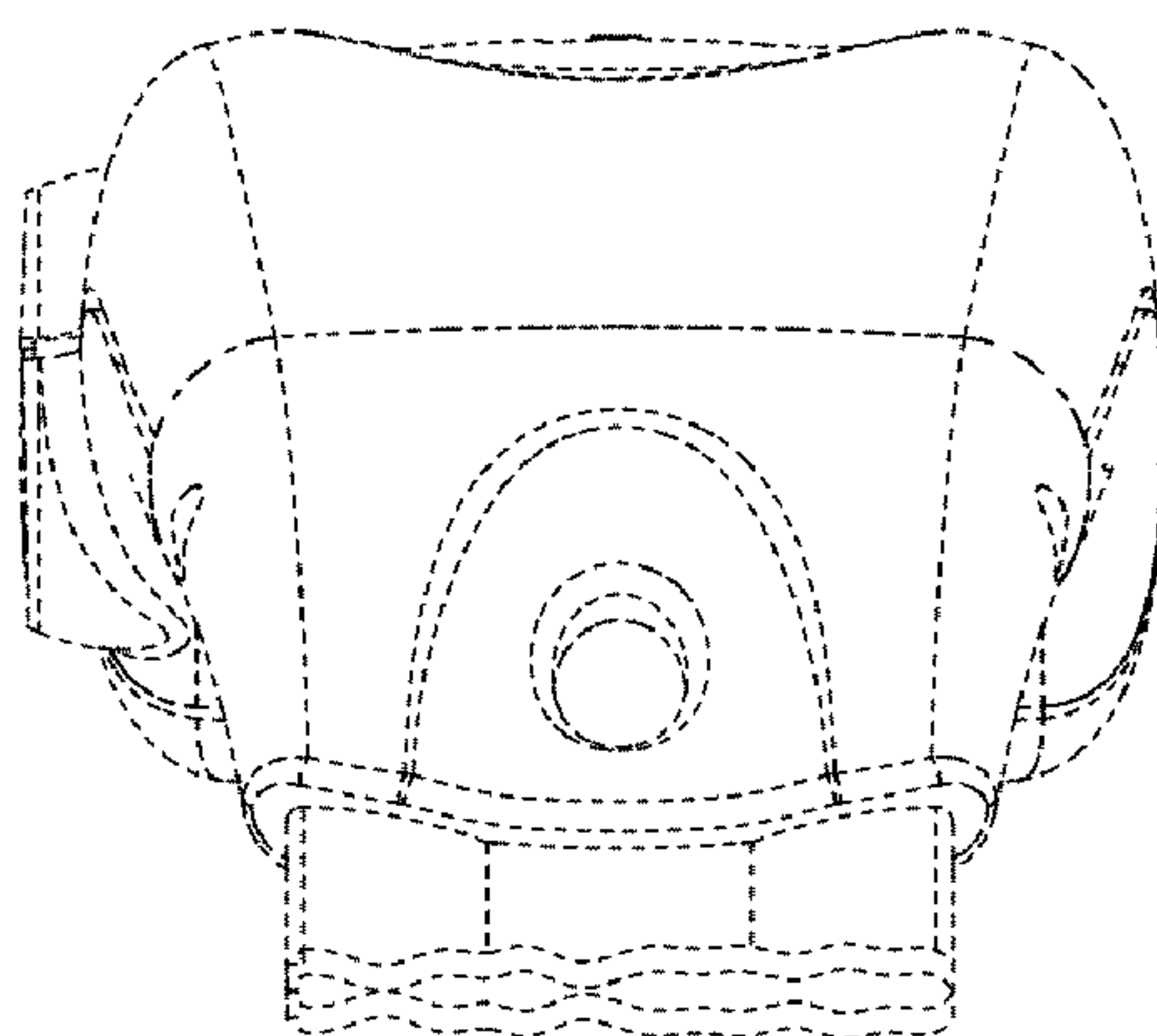


FIG. 7