



US00D643817S

(12) **United States Design Patent**  
**Ando et al.**

(10) **Patent No.:** **US D643,817 S**  
(45) **Date of Patent:** **\*\* Aug. 23, 2011**

(54) **ELECTRICAL CONNECTOR HOUSING**

(75) Inventors: **Motohiro Ando**, Yokkaichi (JP);  
**Takafumi Sakamoto**, Yokkaichi (JP);  
**Kouji Maruyama**, Aichi-ken (JP);  
**Kenzo Kiyose**, Takahama (JP); **Hideki Koyama**, Okazaki (JP)

(73) Assignees: **Sumitomo Wiring Systems, Ltd.**,  
Mie-ken (JP); **Denso Corporation**,  
Aichi-ken (JP)

(\*\*) Term: **14 Years**

(21) Appl. No.: **29/365,292**

(22) Filed: **Jul. 7, 2010**

(30) **Foreign Application Priority Data**

Jan. 8, 2010 (JP) ..... 2010-000385  
(51) **LOC (9) Cl.** ..... **13-03**  
(52) **U.S. Cl.** ..... **D13/133**  
(58) **Field of Classification Search** ..... D13/133,  
D13/146-147, 154, 156, 184; 439/180, 252,  
439/278, 280, 290-293, 328, 374, 375, 378,  
439/483, 488, 489, 491, 500, 525, 529, 533,  
439/592-593, 680, 892, 894  
See application file for complete search history.

(56) **References Cited**

**U.S. PATENT DOCUMENTS**

D321,860 S \* 11/1991 Nagasaka et al. .... D13/147  
D323,143 S \* 1/1992 Ohkura et al. .... D13/133

D323,486 S \* 1/1992 Kasugai et al. .... D13/147  
D323,644 S \* 2/1992 Ichida et al. .... D13/146  
D574,773 S \* 8/2008 Sutter ..... D13/133  
D576,557 S \* 9/2008 Hariharesan et al. .... D13/154  
D608,285 S \* 1/2010 Sato et al. .... D13/146

**FOREIGN PATENT DOCUMENTS**

JP 1305762 7/2007  
JP 1306011 7/2007

\* cited by examiner

*Primary Examiner* — Daniel Bui

(74) *Attorney, Agent, or Firm* — Sheridan Ross P.C.

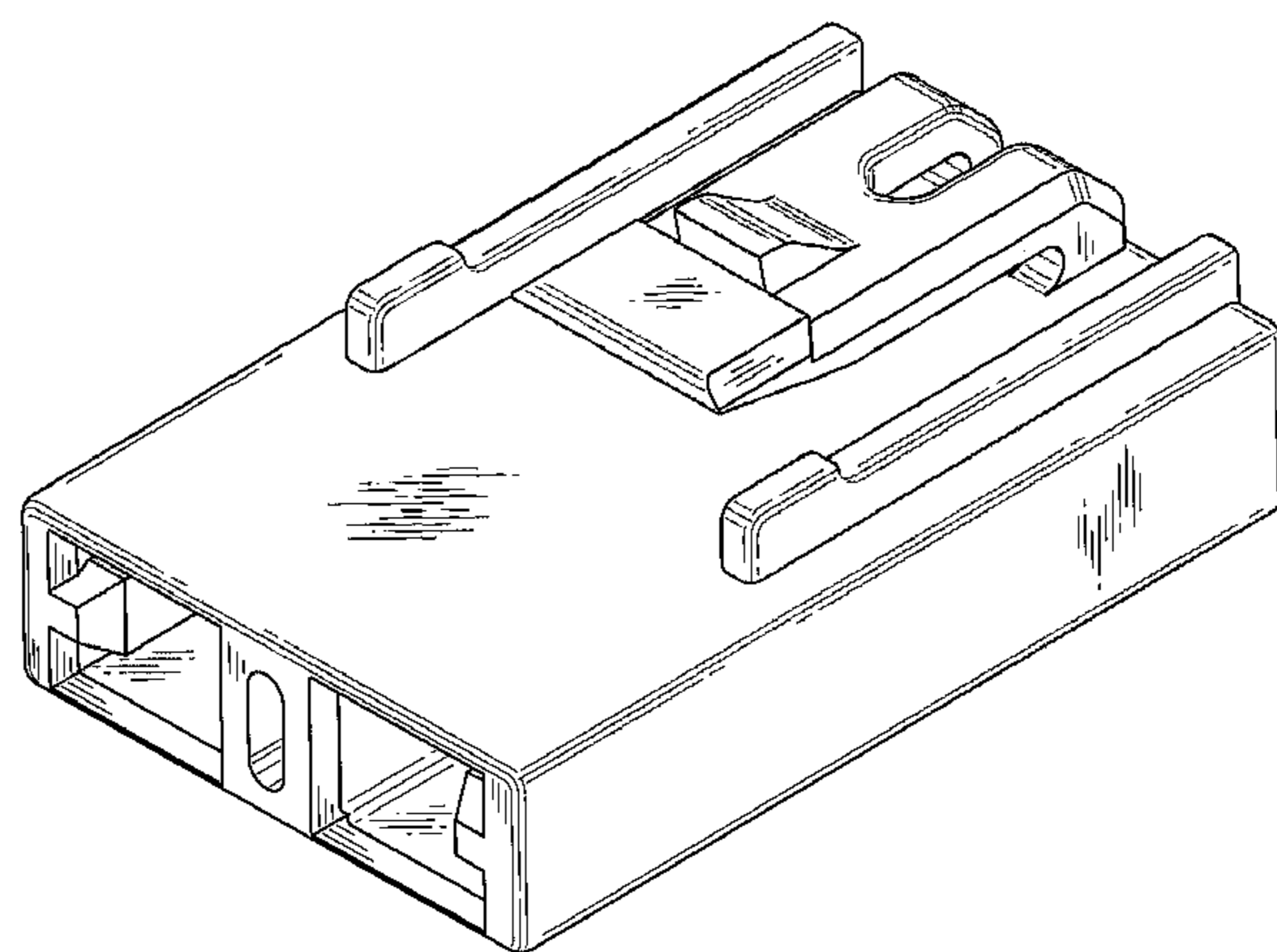
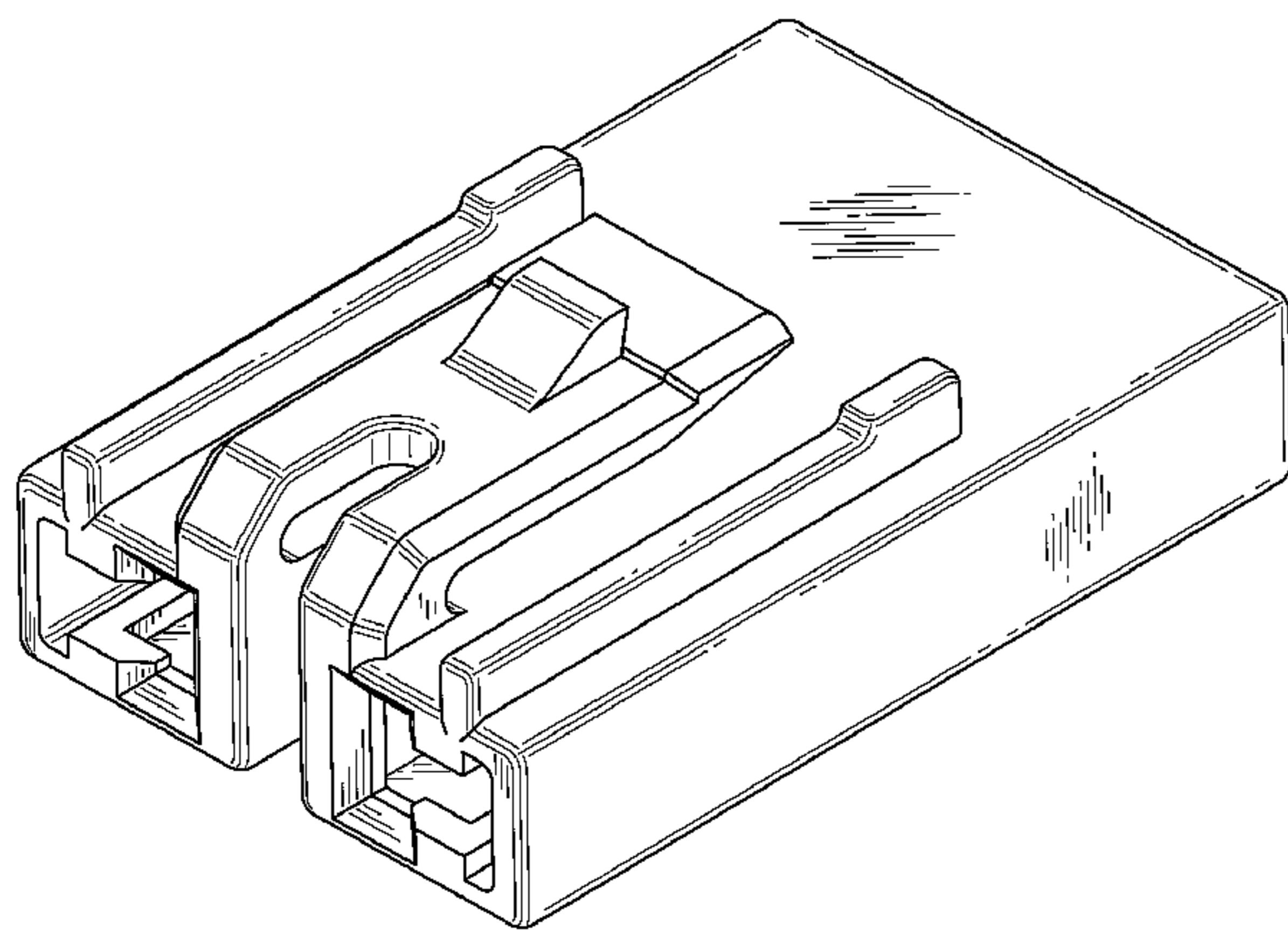
(57) **CLAIM**

The ornamental design for an electrical connector housing, as shown and described.

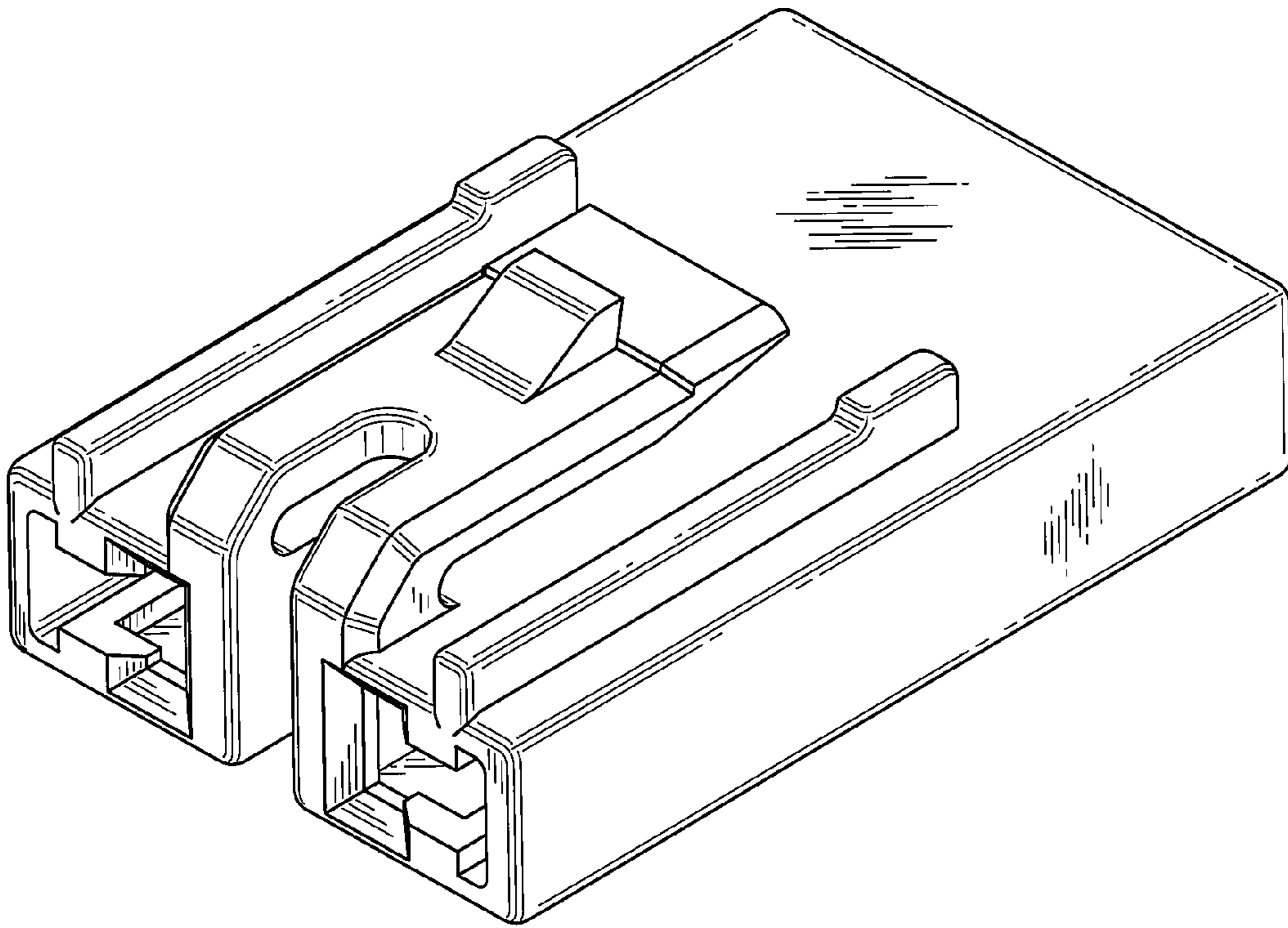
**DESCRIPTION**

FIG. 1 is a front perspective view of an electrical connector housing showing our new design; FIG. 2 is a rear perspective view thereof; FIG. 3 is a front elevational view thereof; FIG. 4 is a rear elevational view thereof; FIG. 5 is a top plan view thereof; FIG. 6 is a bottom plan view thereof; FIG. 7 is a right side elevational view thereof, the left side elevational view being a mirror image of FIG. 7; FIG. 8 is a cross-sectional view taken along line 8—8 in FIG. 3; and, FIG. 9 is a cross-sectional view taken along line 9—9 in FIG. 3.

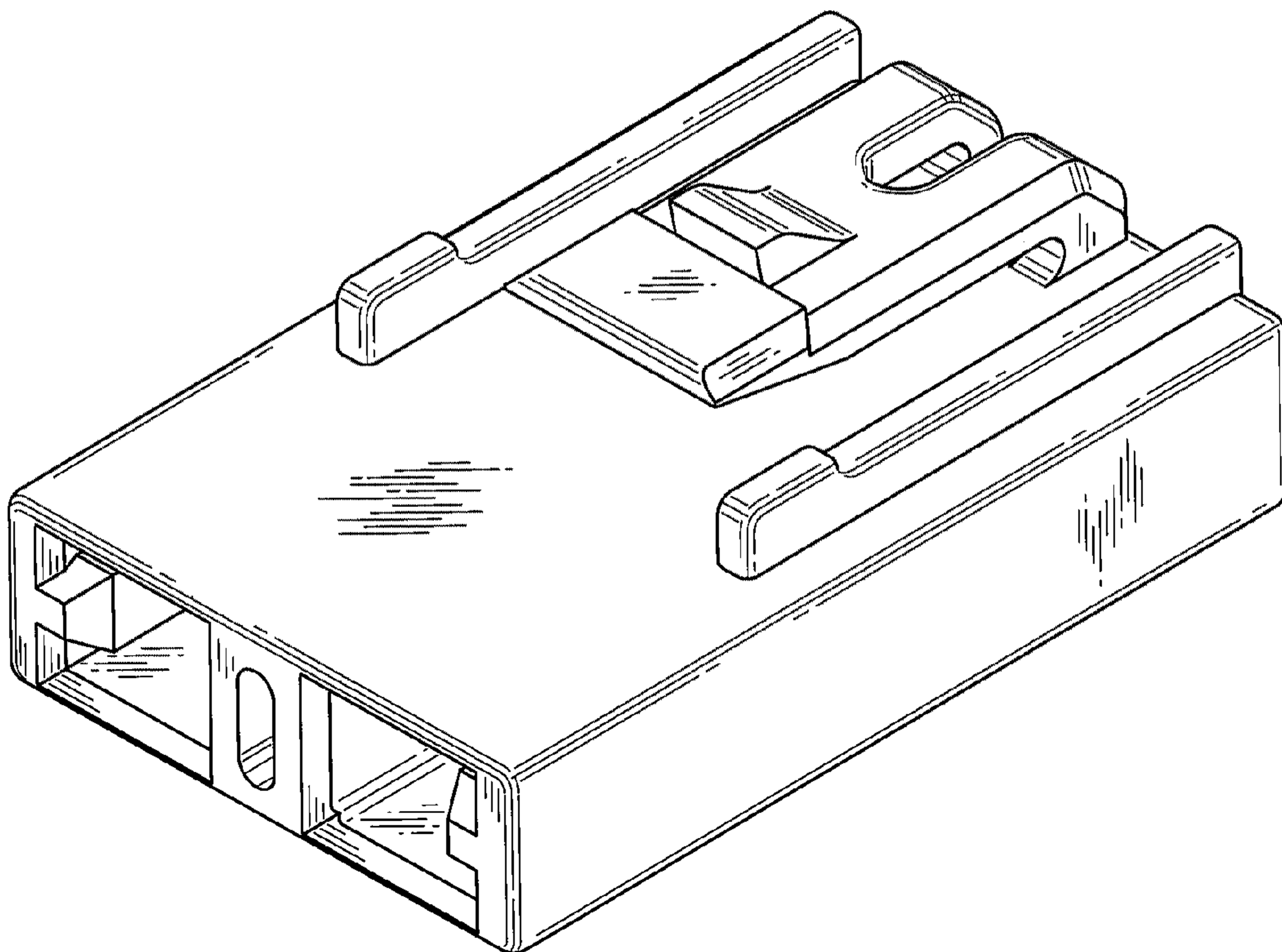
**1 Claim, 5 Drawing Sheets**



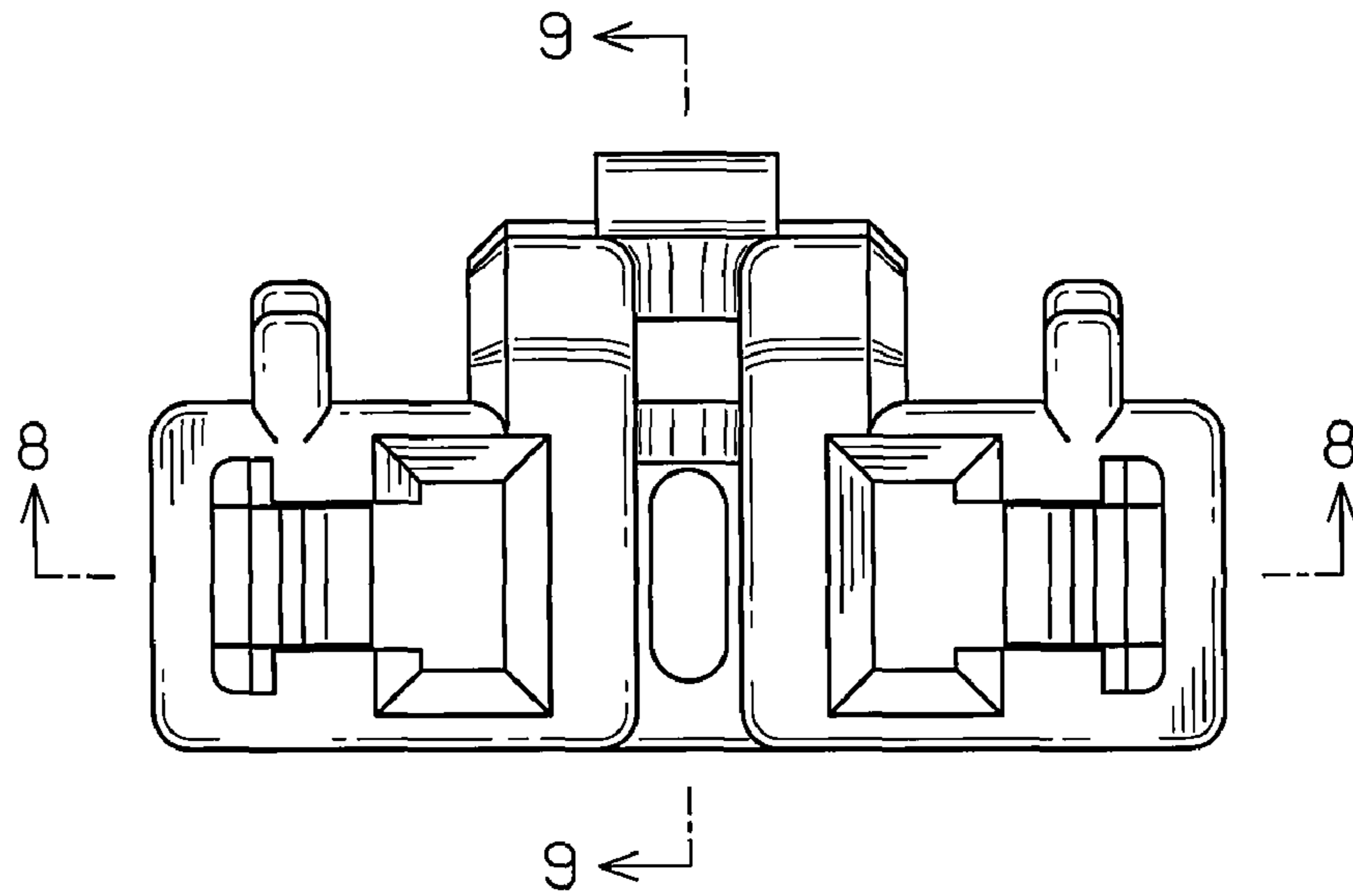
**Fig. 1**



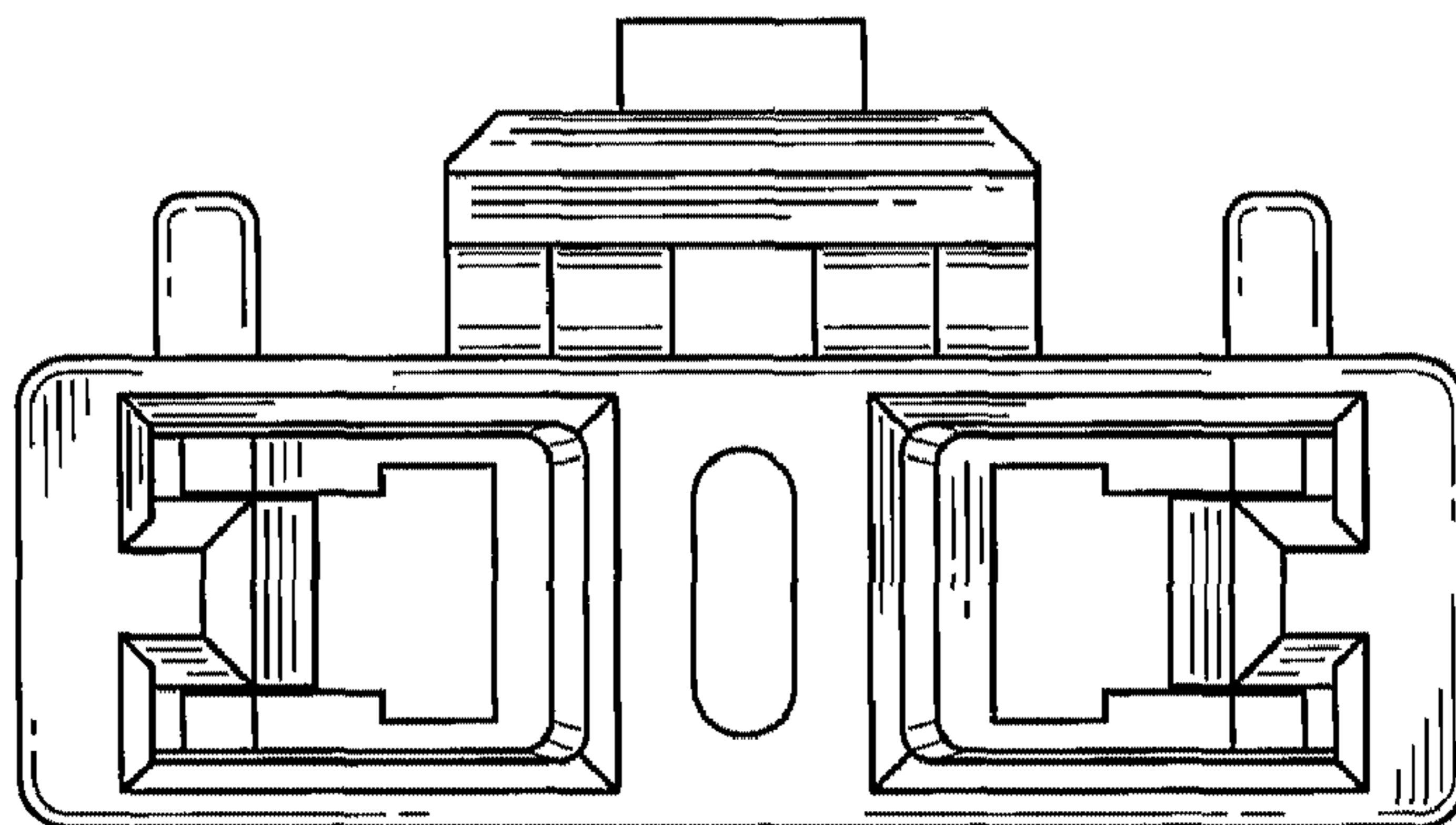
**Fig. 2**



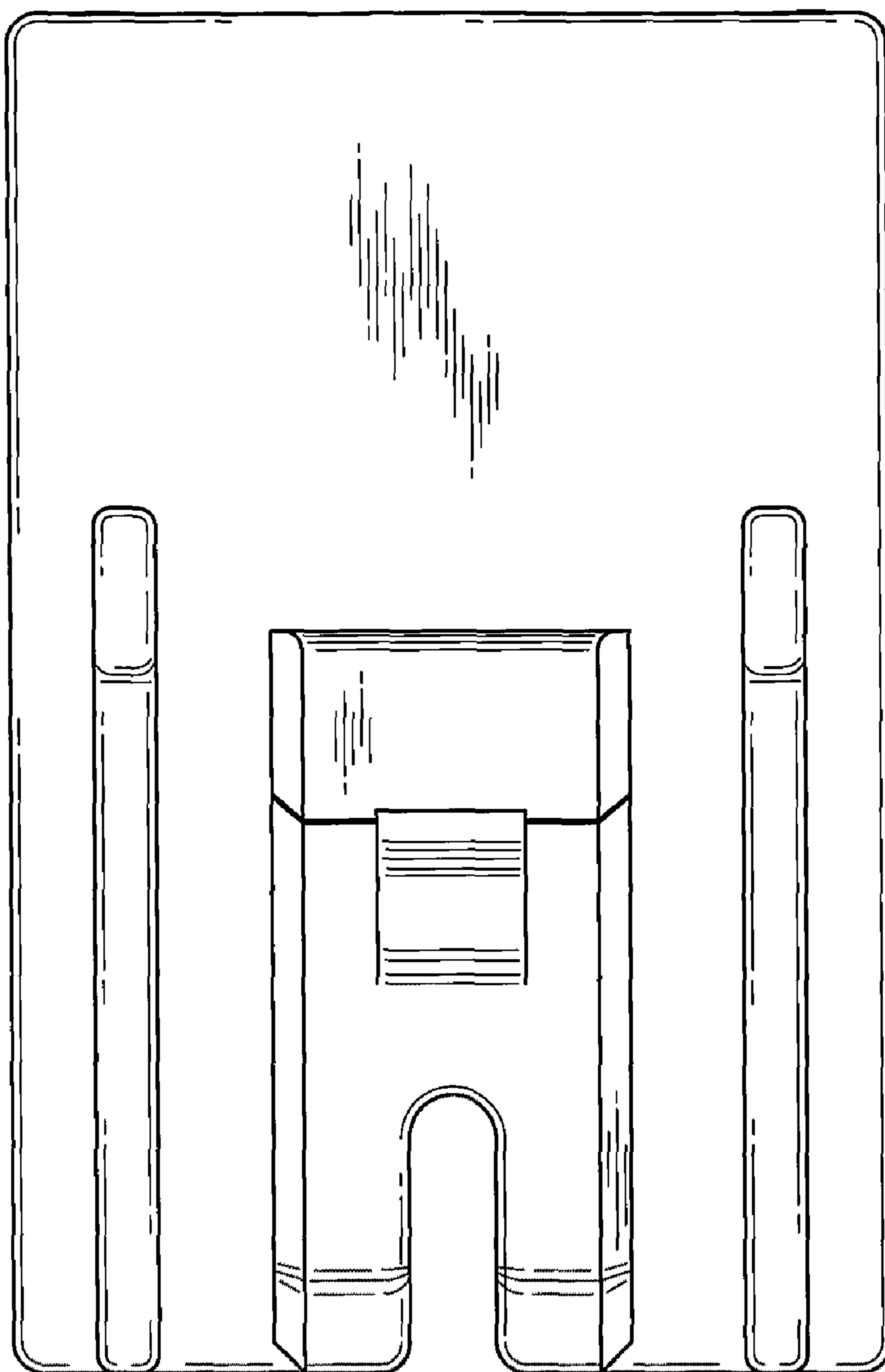
**Fig. 3**



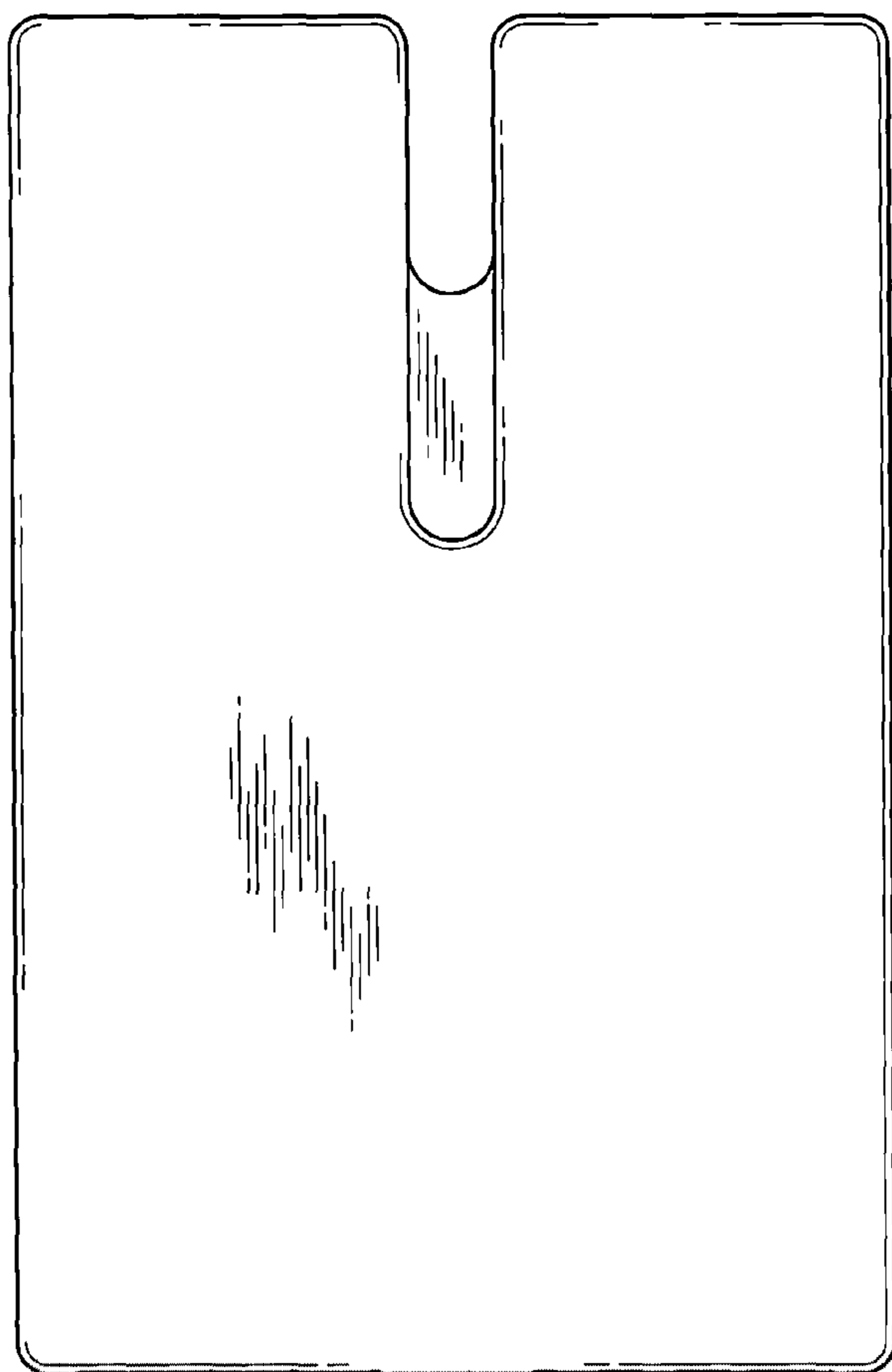
**Fig. 4**



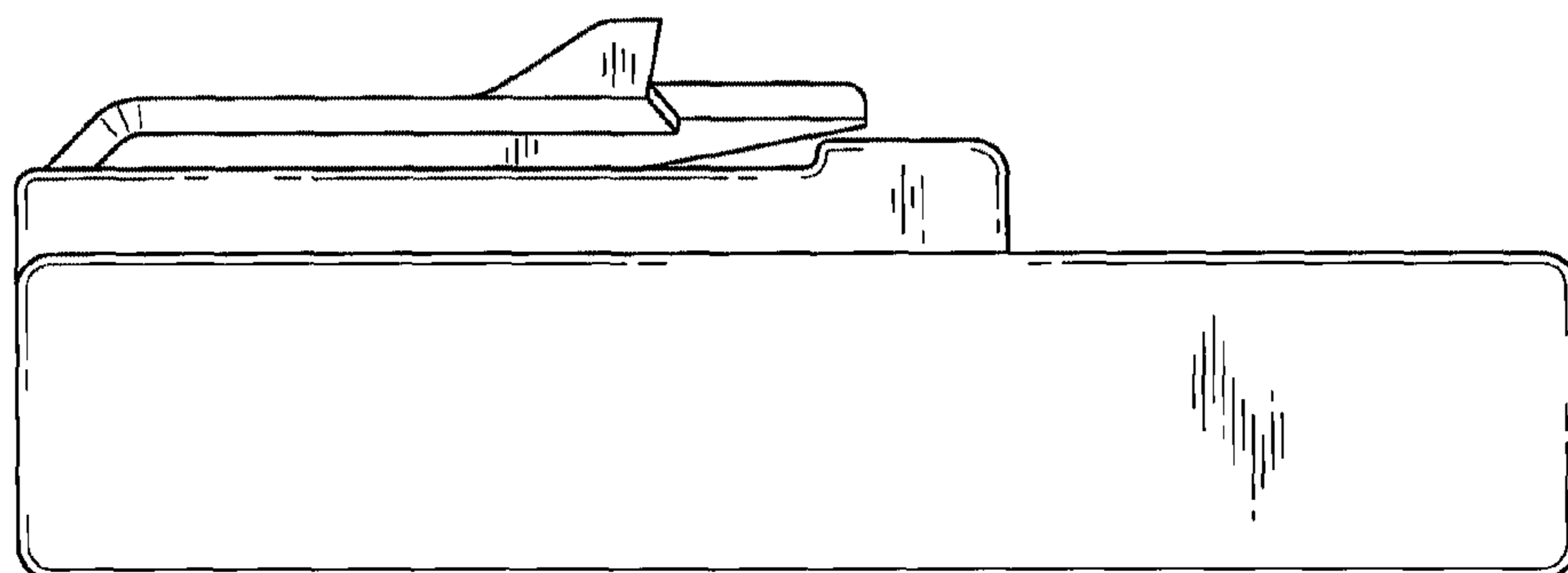
**Fig. 5**



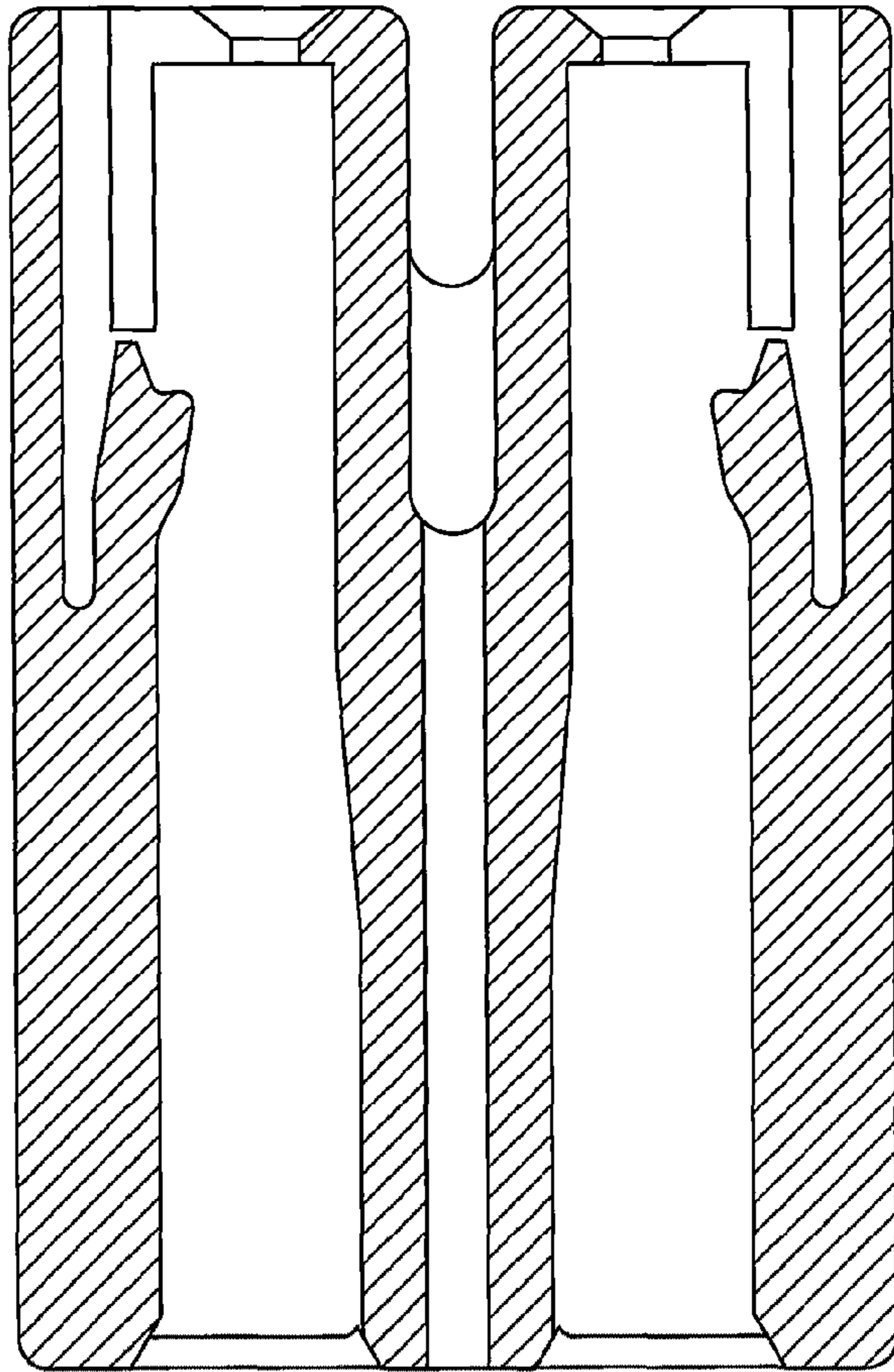
**Fig. 6**



**Fig. 7**



**Fig. 8**



**Fig. 9**

