



US00D643815S

(12) **United States Design Patent**
Mark et al.

(10) **Patent No.:** **US D643,815 S**

(45) **Date of Patent:** **** Aug. 23, 2011**

(54) **CONNECTOR**

(75) Inventors: **Klaus Mark, Weer (AT); Thomas Eisner, Kolsass (AT)**

(73) Assignee: **Mk Illumination Hong Kong Ltd., Hong Kong (CN)**

(**) **Term: 14 Years**

(21) Appl. No.: **29/345,340**

(22) Filed: **Oct. 14, 2009**

(51) **LOC (9) Cl.** **13-03**

(52) **U.S. Cl.** **D13/133**

(58) **Field of Classification Search** D13/101,
D13/107, 108, 110, 114, 118, 133, 146, 147,
D13/153, 154, 199; 320/110-115; 362/427,
362/404, 406, 804, 287; 363/146; 336/92;
439/489, 502, 505, 578, 607-610, 623, 680,
439/686

See application file for complete search history.

(56) **References Cited**

U.S. PATENT DOCUMENTS

D321,503 S *	11/1991	Ditzig	D13/133
D456,358 S *	4/2002	Niklander et al.	D13/146
D556,147 S *	11/2007	Kudo et al.	D13/154
D556,688 S *	12/2007	Shogaki et al.	D13/133
D560,613 S *	1/2008	McEvoy et al.	D13/147

D584,689 S *	1/2009	Slawson et al.	D13/133
D585,025 S *	1/2009	Kudo	D13/133
D586,750 S *	2/2009	Li	D13/133
D589,881 S *	4/2009	Kok et al.	D13/133
D589,884 S *	4/2009	Arai et al.	D13/133
D596,125 S *	7/2009	Norin et al.	D13/133
D596,126 S *	7/2009	Norin et al.	D13/133
D597,946 S *	8/2009	Li	D13/133
D611,903 S *	3/2010	Karabcievschy et al.	D13/133
D617,272 S *	6/2010	The	D13/133
D627,730 S *	11/2010	Huang et al.	D13/146

* cited by examiner

Primary Examiner — Thomas Johannes

(74) *Attorney, Agent, or Firm* — Wenderoth, Lind & Ponack L.L.P.

(57) **CLAIM**

The ornamental design for a connector, as shown and described.

DESCRIPTION

FIG. 1 is a top plan view of a connector showing our new design

FIG. 2 is a right elevation view thereof;

FIG. 3 is a bottom plan view thereof;

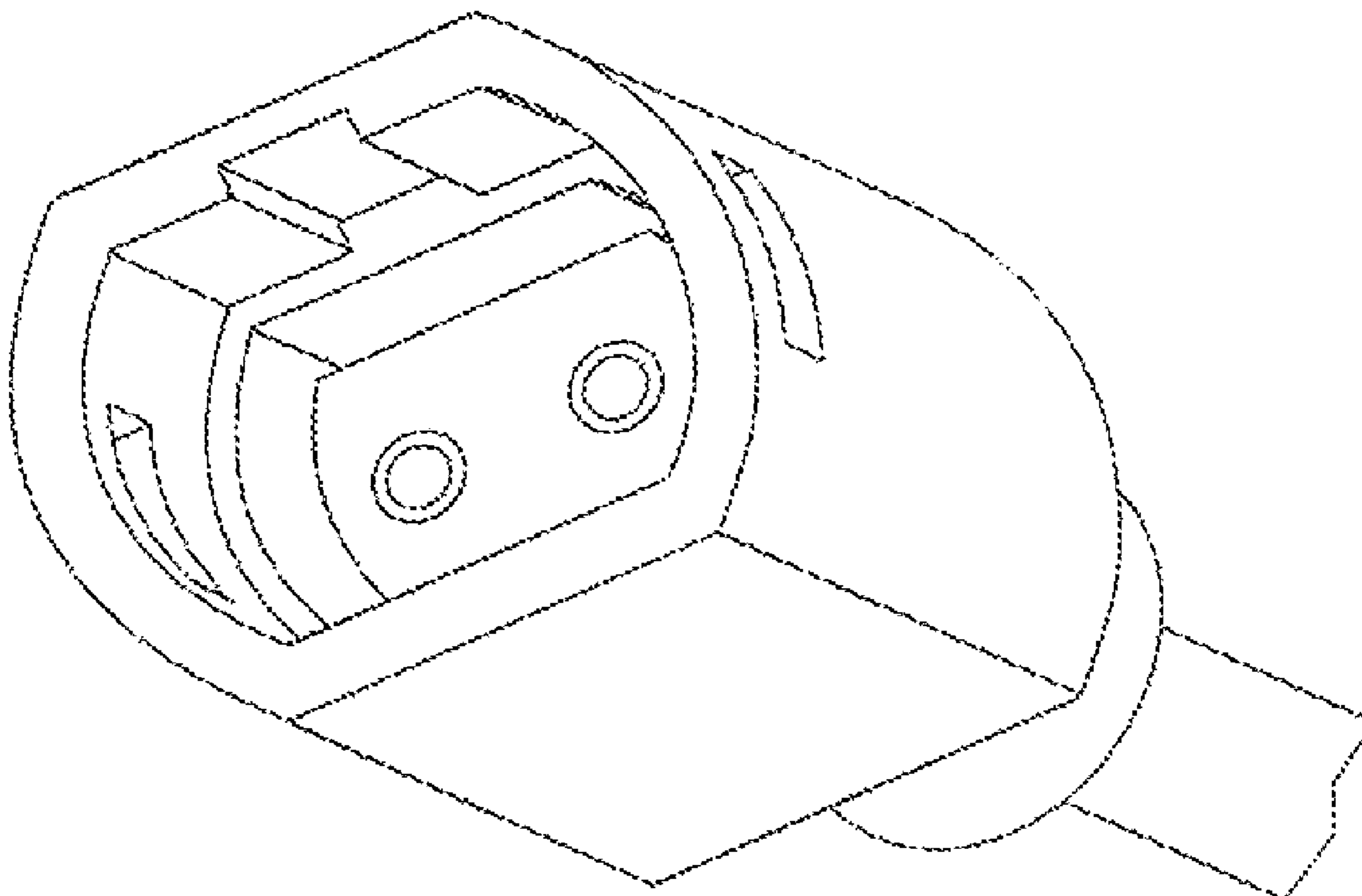
FIG. 4 is a left elevation view thereof;

FIG. 5 is a front elevation view thereof;

FIG. 6 is a rear elevation view thereof; and,

FIG. 7 is a perspective thereof.

1 Claim, 2 Drawing Sheets



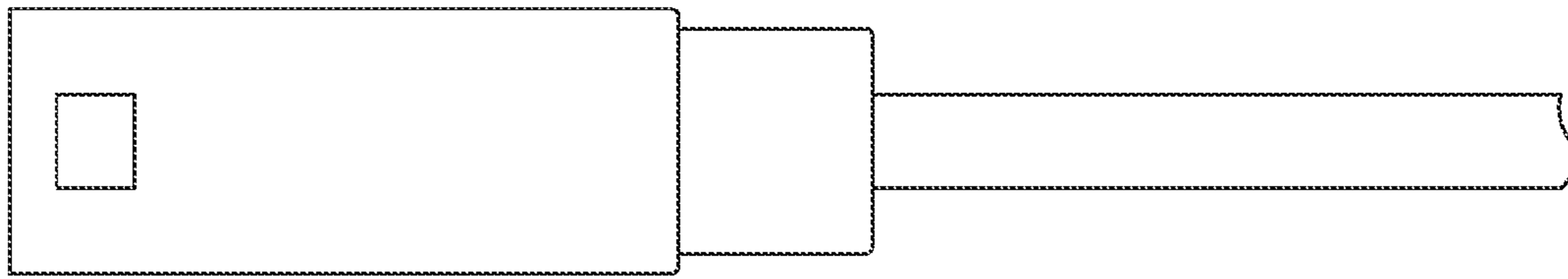


Fig. 1

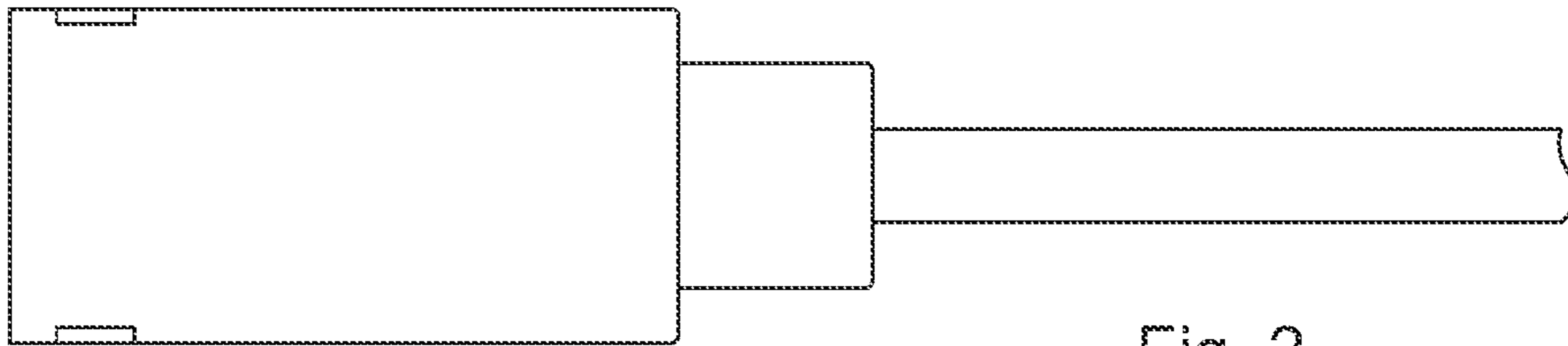


Fig. 2

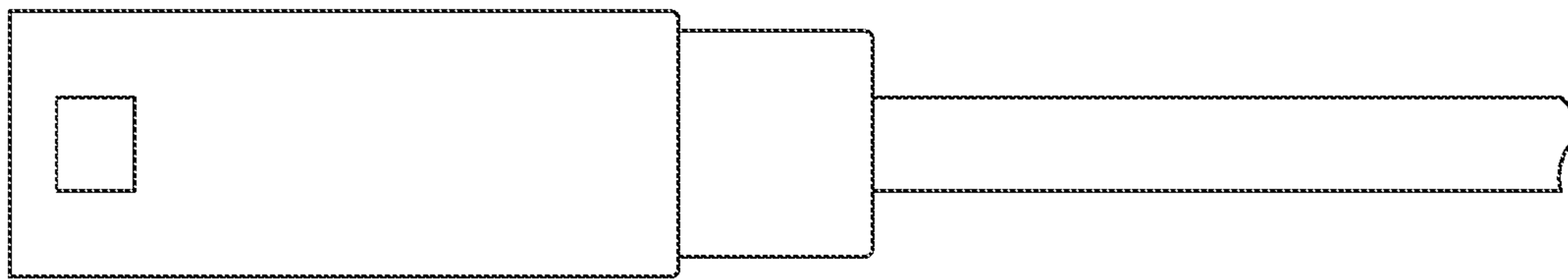


Fig. 3

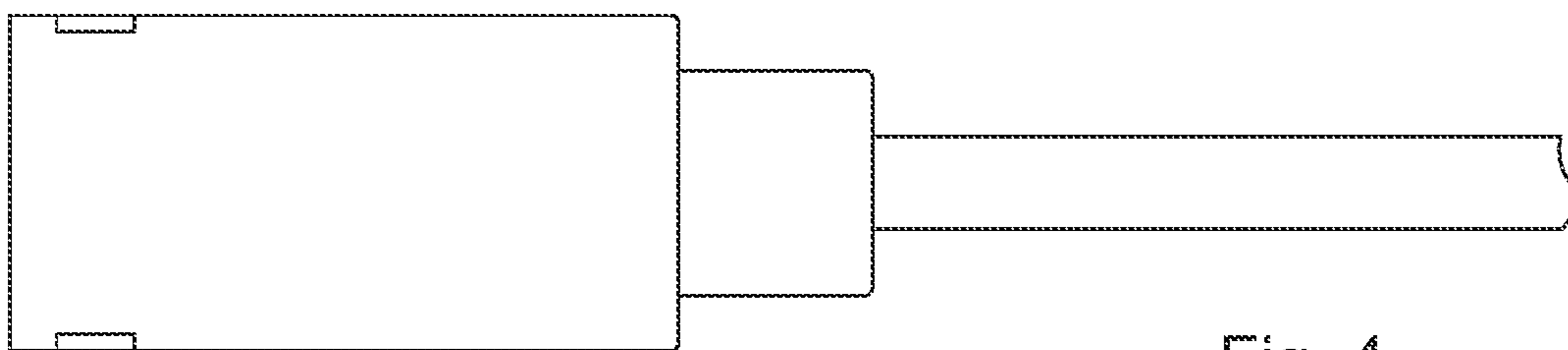


Fig. 4

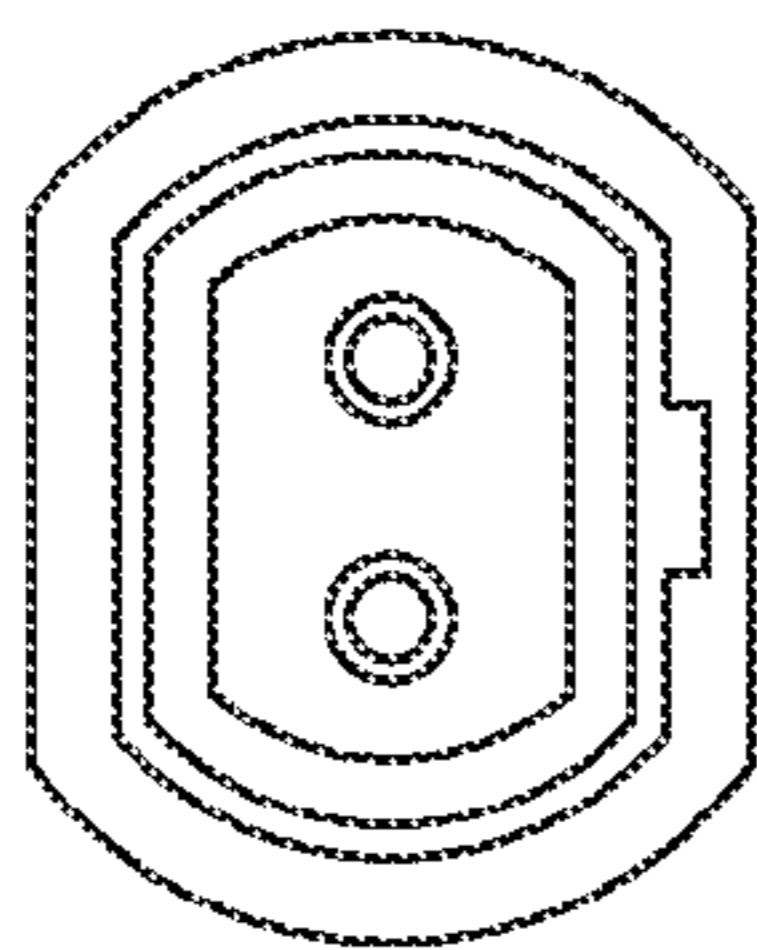


Fig. 5

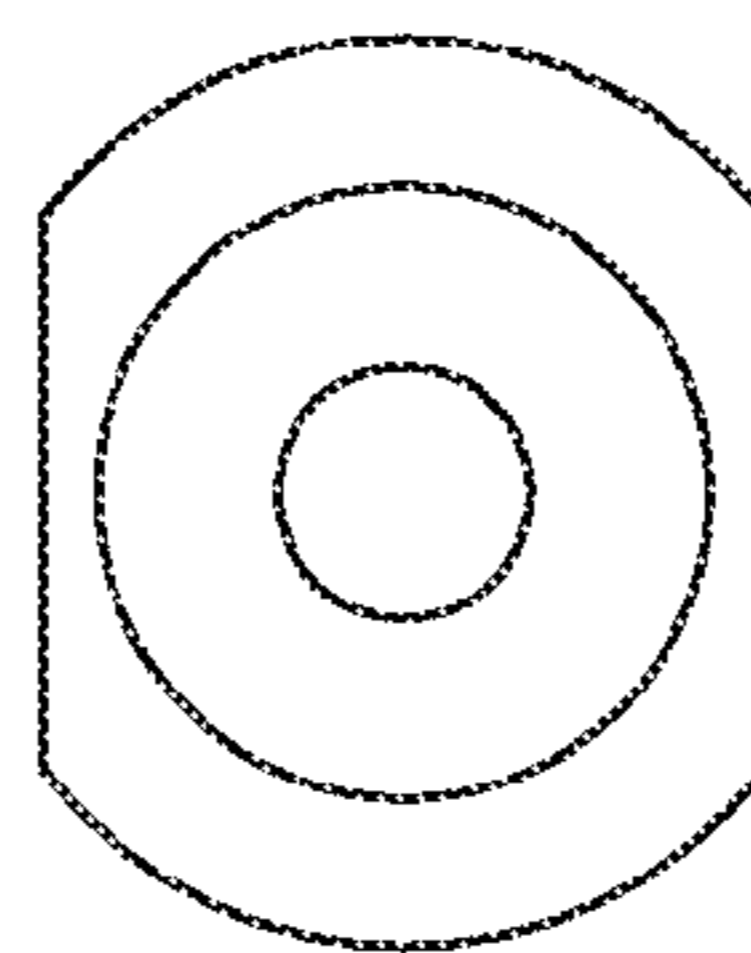


Fig. 6

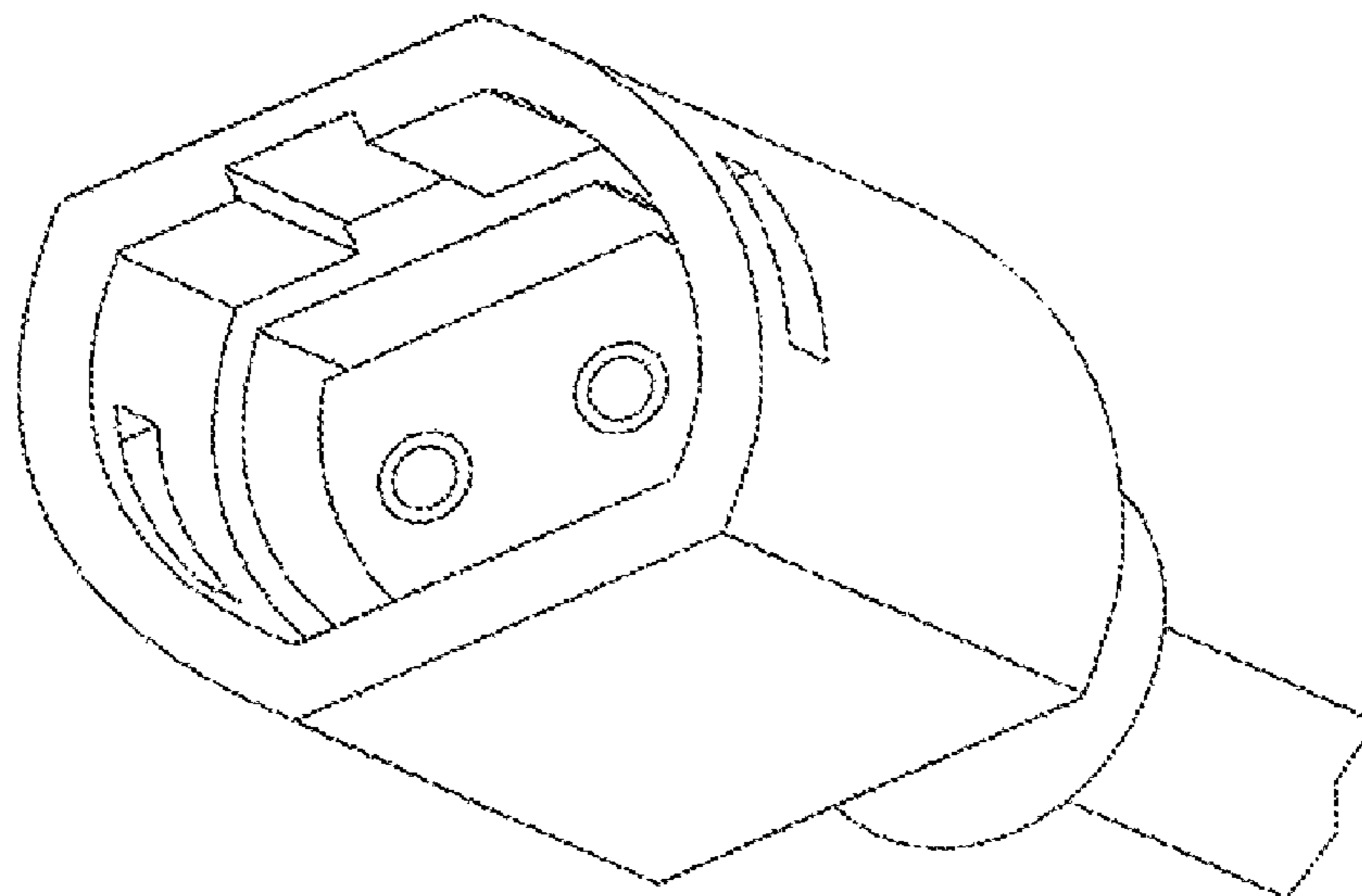


Fig. 7