



US00D643813S

(12) **United States Design Patent**
Portman et al.

(10) **Patent No.:** **US D643,813 S**

(45) **Date of Patent:** **** Aug. 23, 2011**

(54) **PHOTO FLASH GENERATOR**

(76) Inventors: **Francois Portman**, Huningue (FR);
Daniel Ferro, Gipf-Oberfrick (CH)

(**) Term: **14 Years**

(21) Appl. No.: **29/366,848**

(22) Filed: **Jul. 30, 2010**

(51) **LOC (9) Cl.** **13-01**

(52) **U.S. Cl.** **D13/116**

(58) **Field of Classification Search** D13/116,
D13/101, 106, 107, 112, 118, 119, 122, 184,
D13/199; D16/239, 250; 290/1 A, 1 B; 307/64,
307/150, 151, 153; 320/103, 104, 105, 107,
320/111

See application file for complete search history.

(56) **References Cited**

U.S. PATENT DOCUMENTS

D282,252 S *	1/1986	Yamaguchi et al.	D13/116
D309,597 S *	7/1990	Higuchi et al.	D13/116
D414,461 S *	9/1999	Wang	D13/116
6,091,160 A *	7/2000	Kouchi et al.	290/1 A
6,100,599 A *	8/2000	Kouchi et al.	290/1 A
D477,569 S *	7/2003	Iwatate et al.	D13/116
D506,723 S *	6/2005	Krieger et al.	D13/107

* cited by examiner

Primary Examiner — Stella Reid

Assistant Examiner — Derrick Holland

(74) *Attorney, Agent, or Firm* — David I. Roche; Baker & McKenzie, LLP

(57) **CLAIM**

The ornamental design for a photo flash generator, as shown and described above.

DESCRIPTION

FIG. 1 is a front perspective view of a photo flash generator showing our new design;

FIG. 2 is a back perspective view thereof;

FIG. 3 is a first side elevational view thereof;

FIG. 4 is a second side elevational view thereof;

FIG. 5 is a third side elevational view thereof;

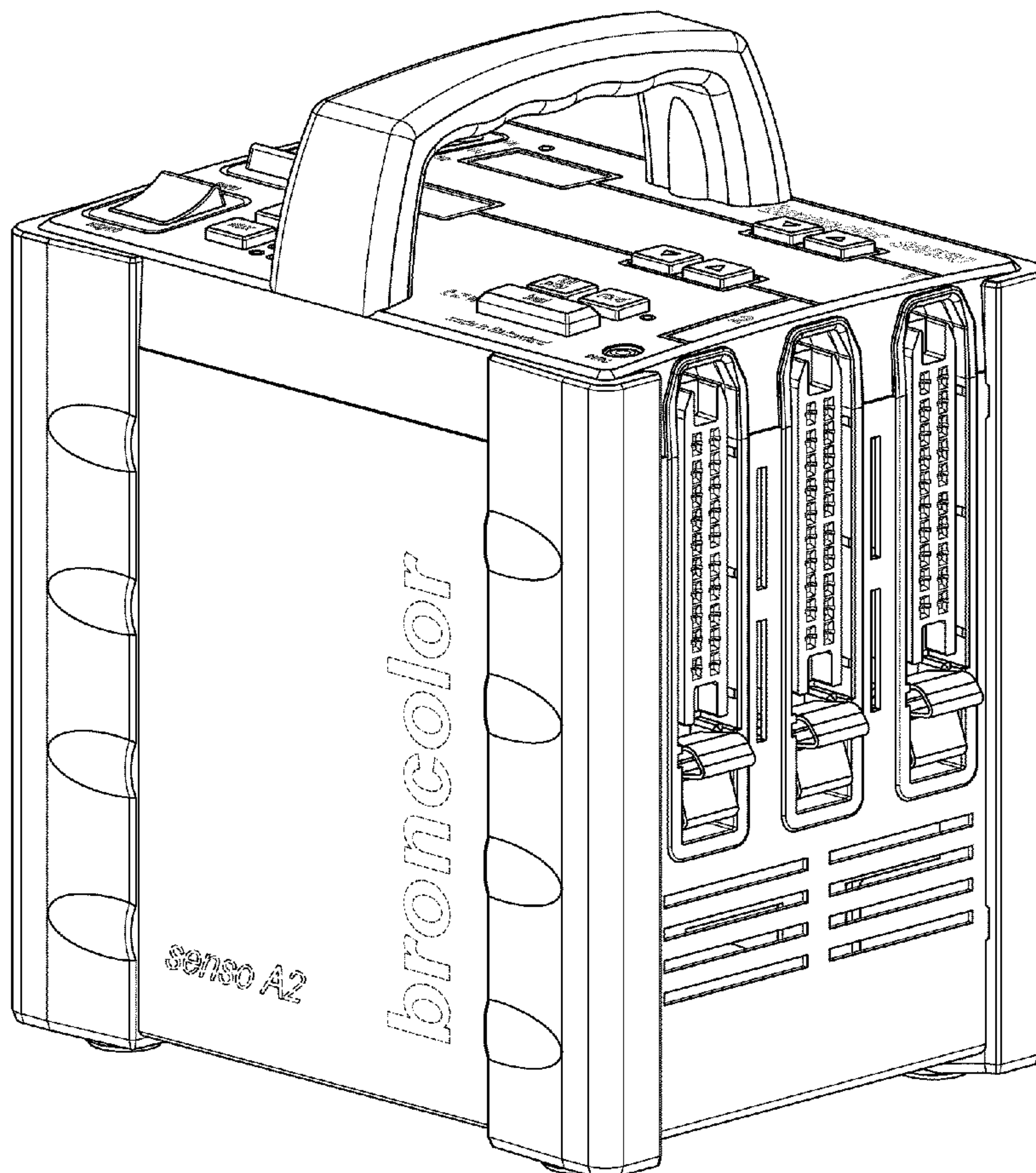
FIG. 6 is a fourth side elevational view thereof;

FIG. 7 is a top view thereof; and,

FIG. 8 is a bottom view thereof.

The broken lines shown represent unclaimed subject matter and form no part of the claimed design.

1 Claim, 8 Drawing Sheets



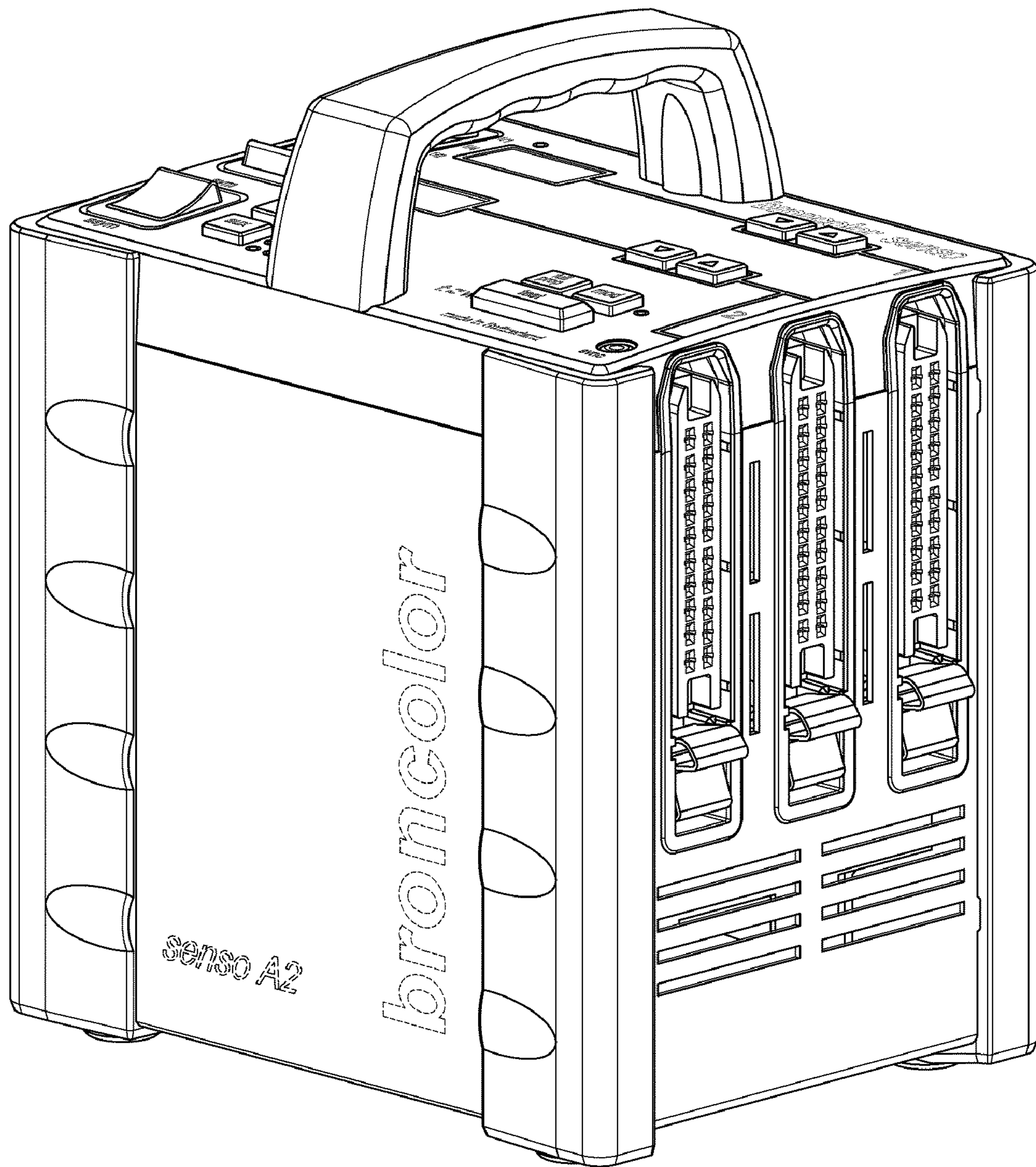


FIG. 1

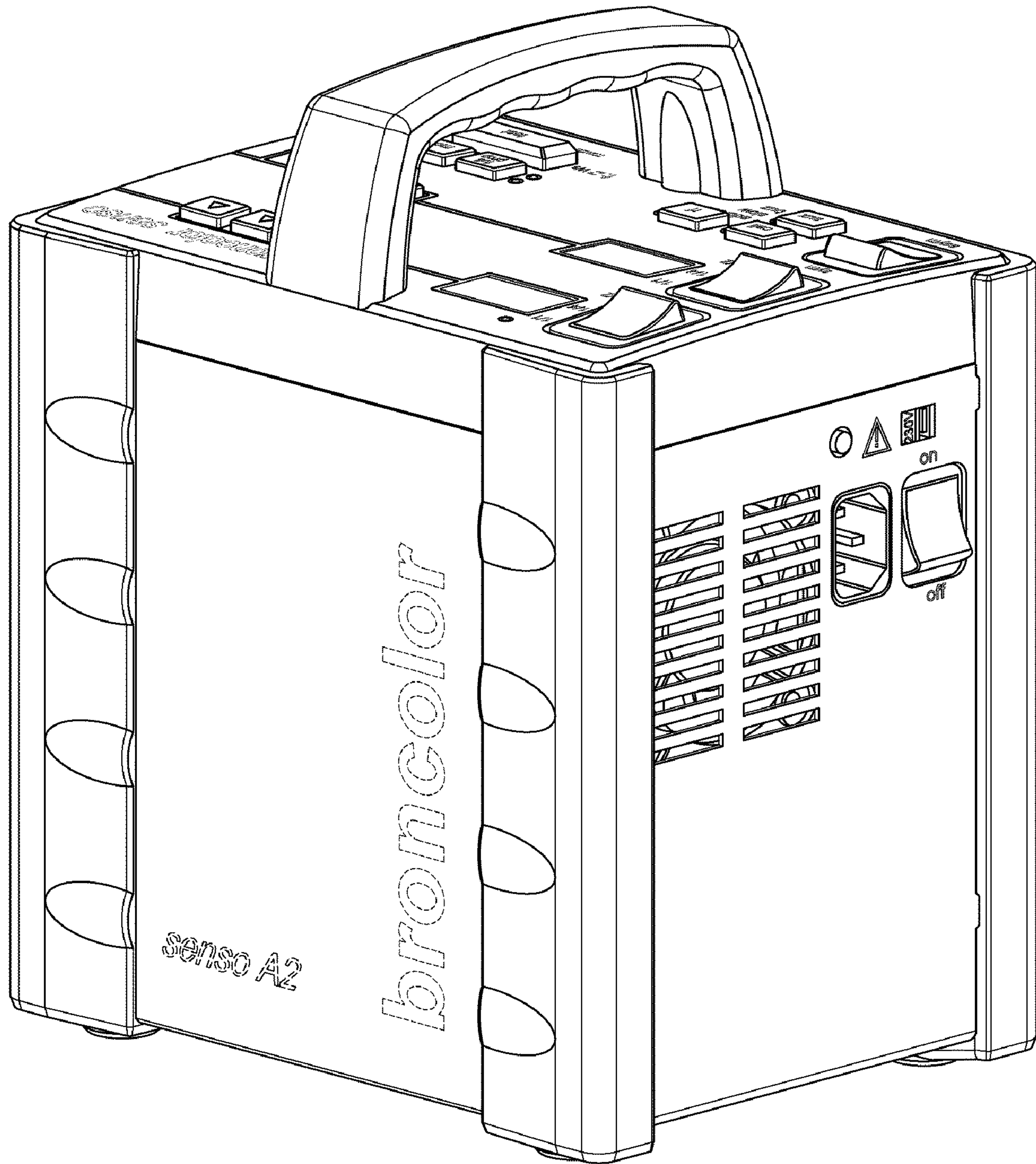


FIG. 2

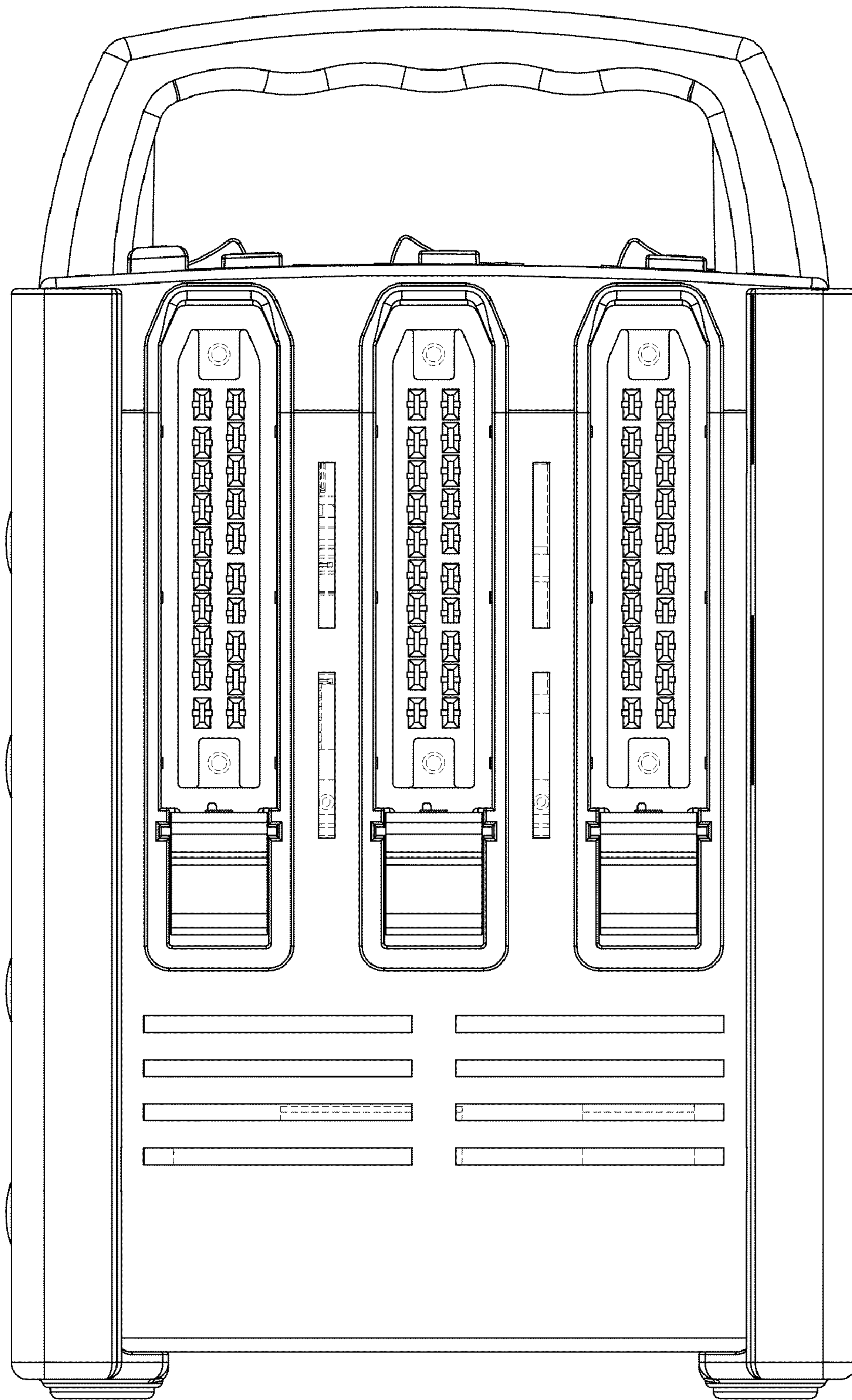


FIG. 3

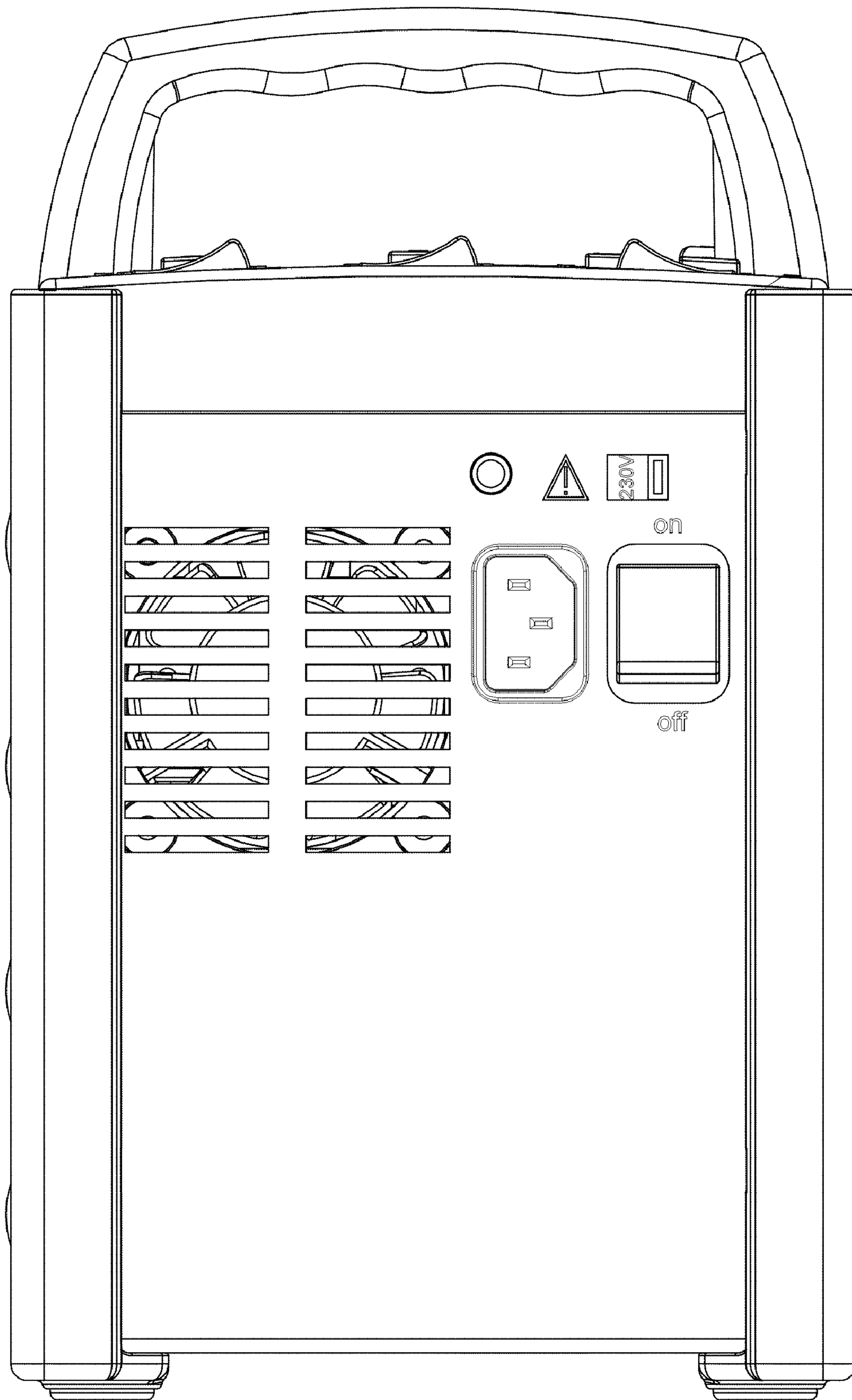


FIG.4

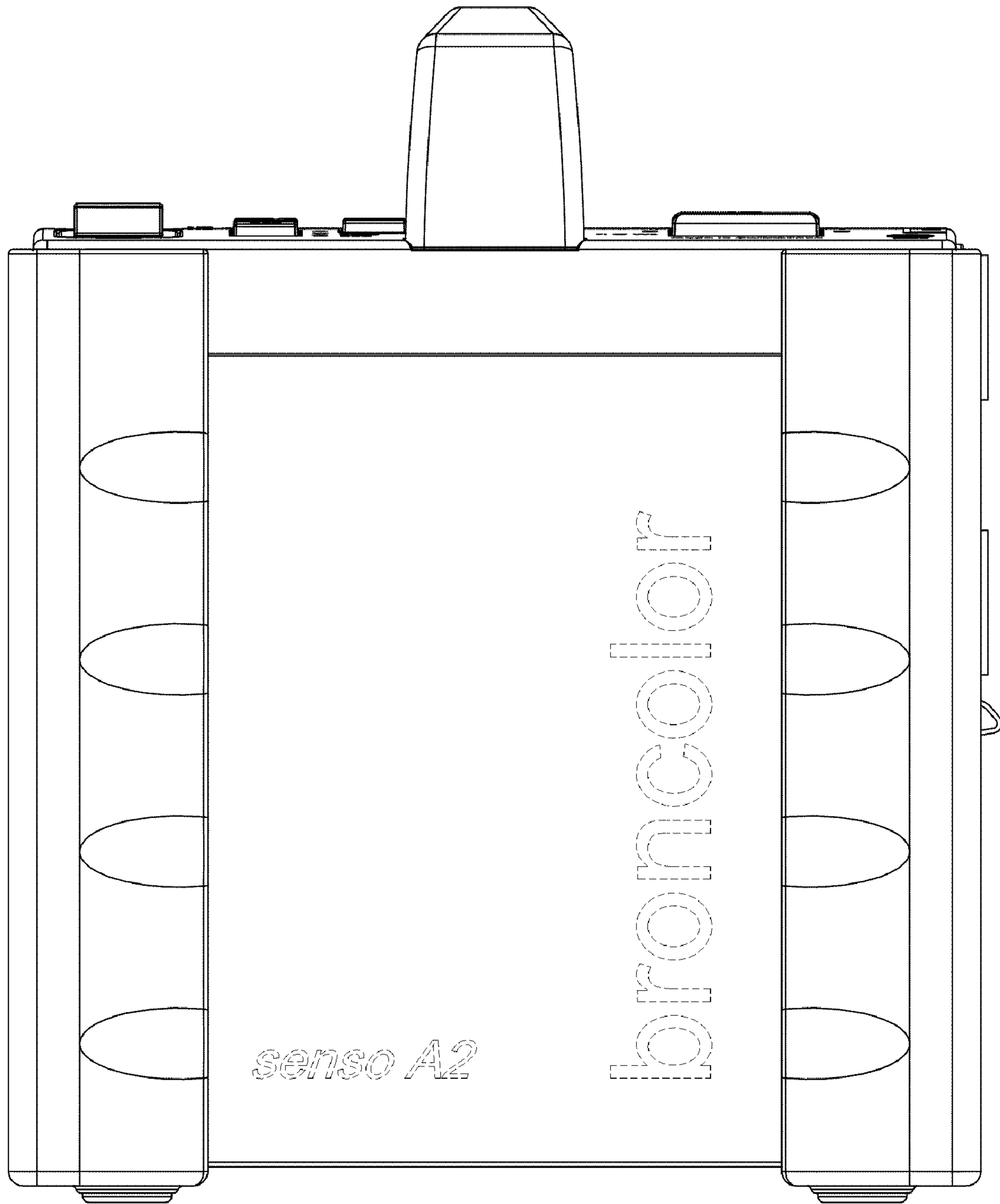


FIG. 5

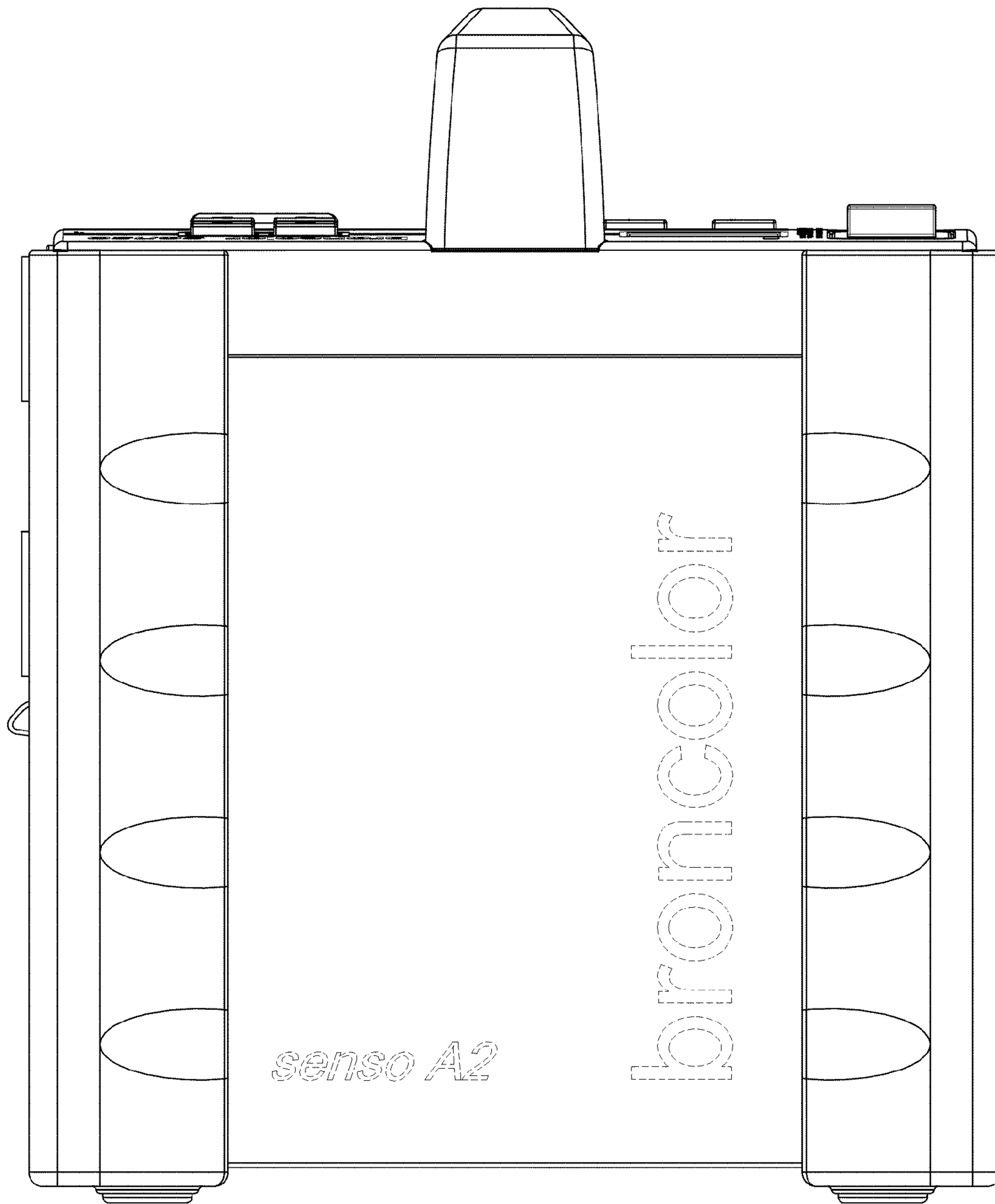


FIG. 6

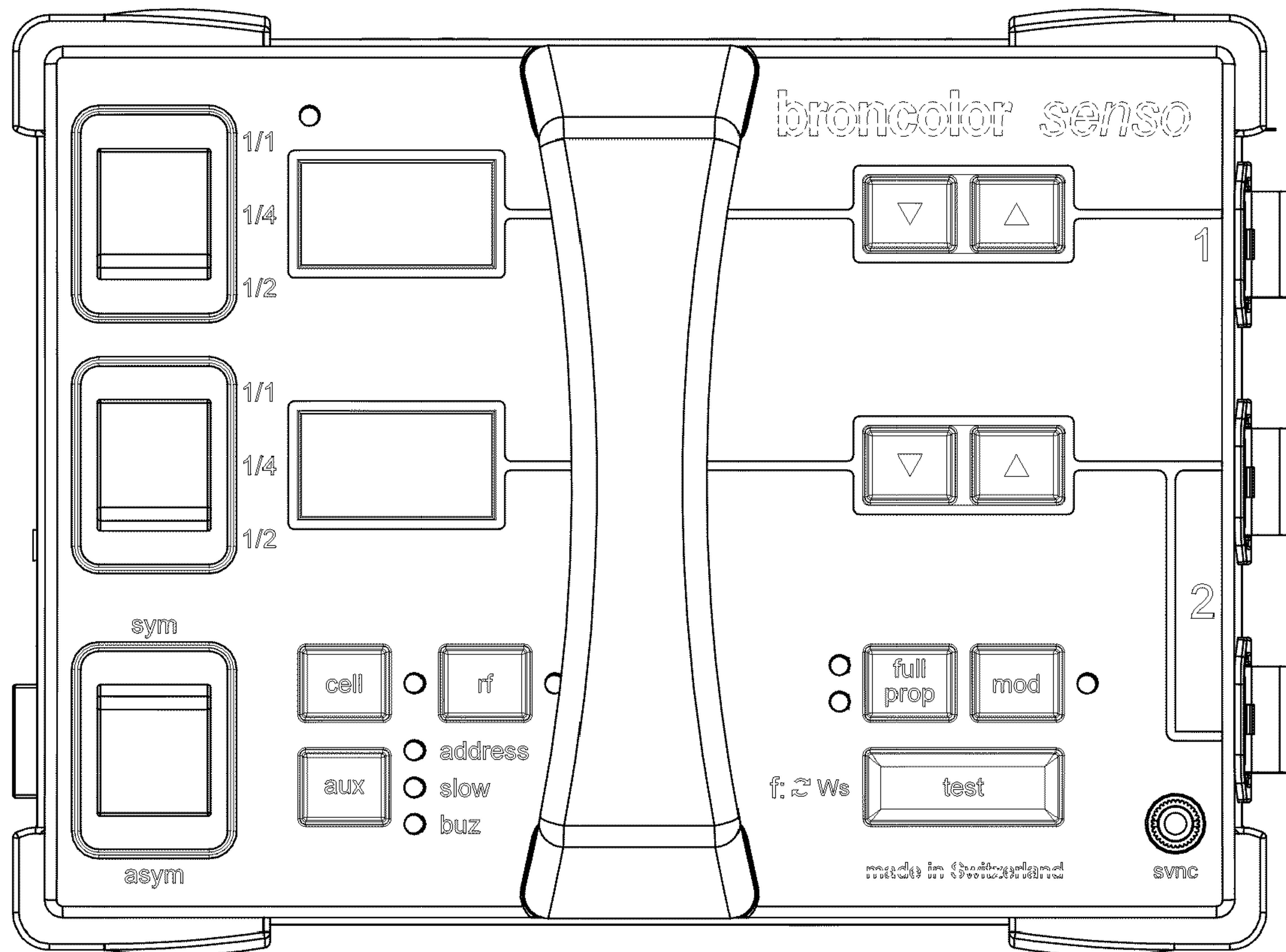


FIG. 7

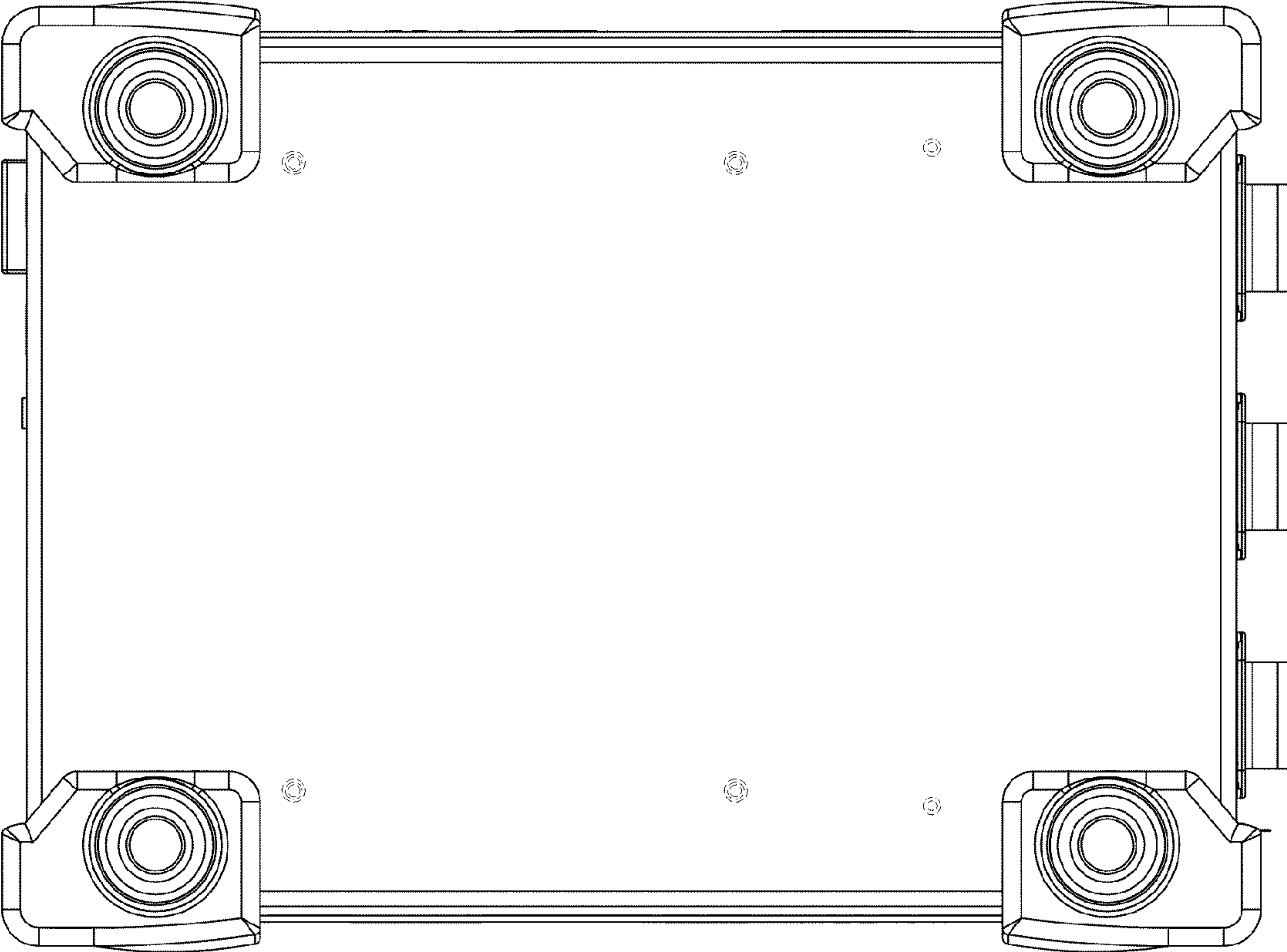


FIG.8