



US00D643809S

(12) **United States Design Patent**  
**Okuda et al.**

(10) **Patent No.:** **US D643,809 S**

(45) **Date of Patent:** **\*\* Aug. 23, 2011**

(54) **BATTERY PACK**

(75) Inventors: **Shinsuke Okuda**, Anjo (JP); **Hironori Ogura**, Anjo (JP)

(73) Assignee: **Makita Corporation**, Anjo-shi (JP)

(\*\*) Term: **14 Years**

(21) Appl. No.: **29/388,566**

(22) Filed: **Mar. 30, 2011**

D562,227 S *	2/2008	Yamada et al.	.....	D13/103
D589,439 S *	3/2009	Van Wambeke	.....	D13/103
D589,440 S *	3/2009	Van Wambeke	.....	D13/103
D589,441 S *	3/2009	Van Wambeke	.....	D13/103
D597,932 S *	8/2009	Aglassinger	.....	D13/103
D597,933 S *	8/2009	Aglassinger	.....	D13/103
D597,934 S *	8/2009	Aglassinger	.....	D13/103
D604,695 S *	11/2009	Aglassinger	.....	D13/103
D606,935 S *	12/2009	Murayama et al.	.....	D13/103
D610,082 S *	2/2010	Sweeney	.....	D13/103
D610,537 S *	2/2010	Sweeney	.....	D13/103
D633,036 S *	2/2011	Murray	.....	D13/103

\* cited by examiner

**Related U.S. Application Data**

(62) Division of application No. 29/378,997, filed on Nov. 12, 2010.

**Foreign Application Priority Data**

May 12, 2010 (JP) ..... 2010-11571  
May 12, 2010 (JP) ..... 2010-11572

(51) **LOC (9) Cl.** ..... **13-02**

(52) **U.S. Cl.** ..... **D13/103**

(58) **Field of Classification Search** ..... D13/102-106,  
D13/110, 118-121, 184, 199; 429/96-100,  
429/163, 176

See application file for complete search history.

**References Cited**

**U.S. PATENT DOCUMENTS**

D523,807 S	6/2006	Murayama et al.	
D550,152 S	9/2007	Okuda et al.	
D555,086 S *	11/2007	Zhang	..... D13/103

*Primary Examiner* — Rosemary K Tarcza

(74) *Attorney, Agent, or Firm* — Oliff & Berridge, PLC

(57) **CLAIM**

The ornamental design for a battery pack, as shown and described.

**DESCRIPTION**

FIG. 1 is a perspective view of a battery pack showing our new design;

FIG. 2 is a front elevation view thereof;

FIG. 3 is a rear elevation view thereof;

FIG. 4 is a left side elevation view thereof;

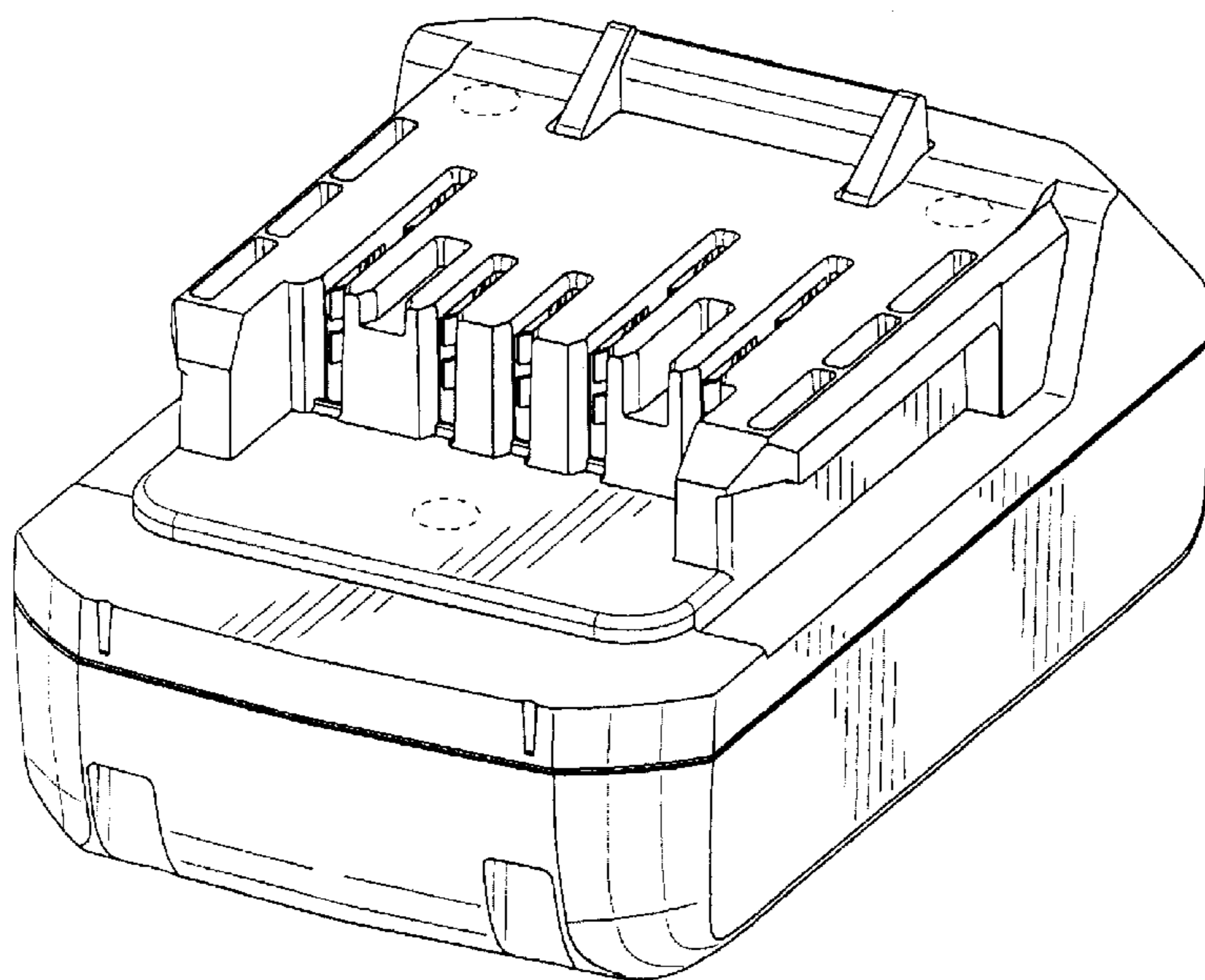
FIG. 5 is a right side elevation view thereof;

FIG. 6 is a top plan view thereof; and,

FIG. 7 is a bottom plan view thereof.

The broken lines shown in the drawings represent unclaimed portions of the battery pack and form no part of the claimed design.

**1 Claim, 4 Drawing Sheets**



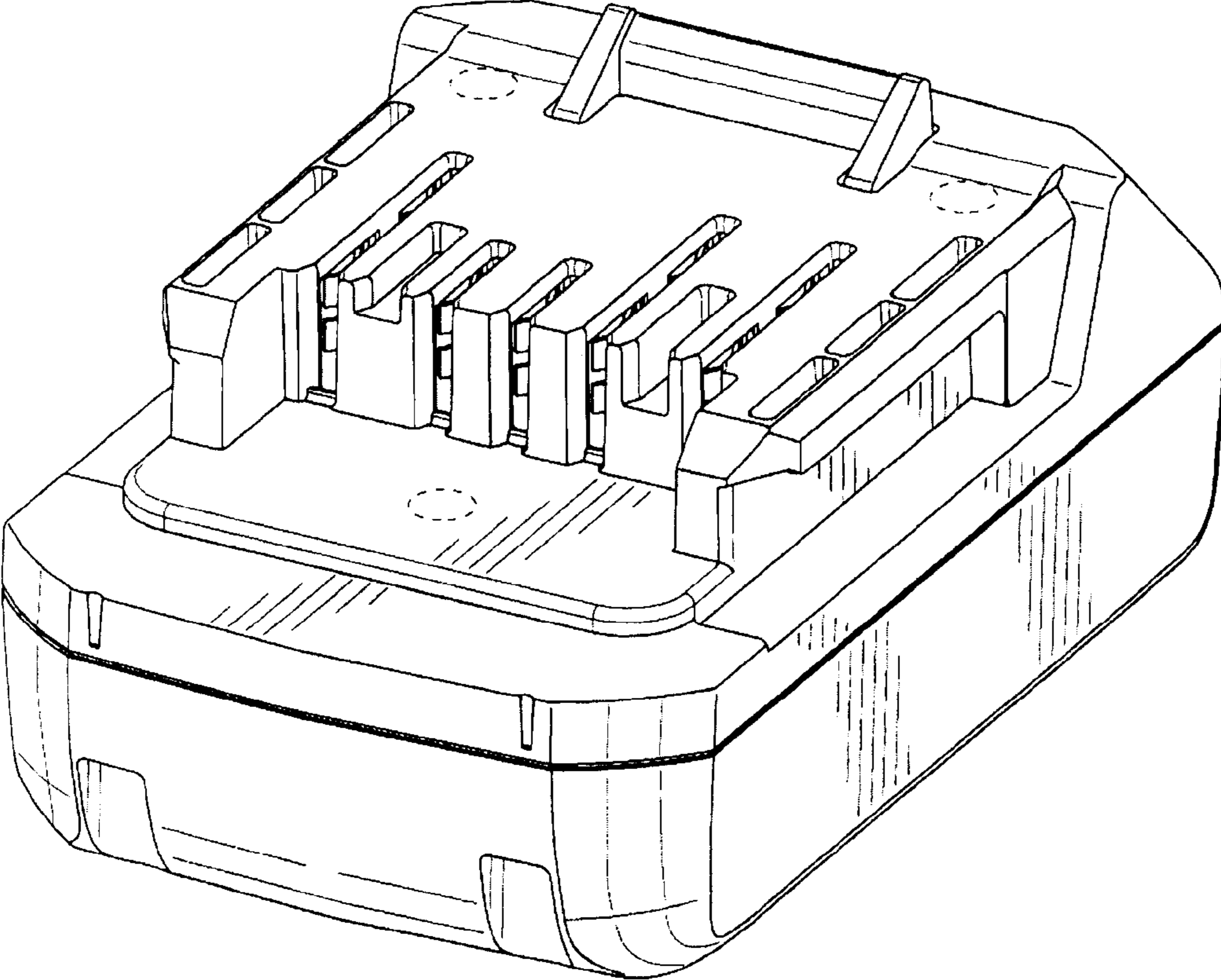


FIG. 1

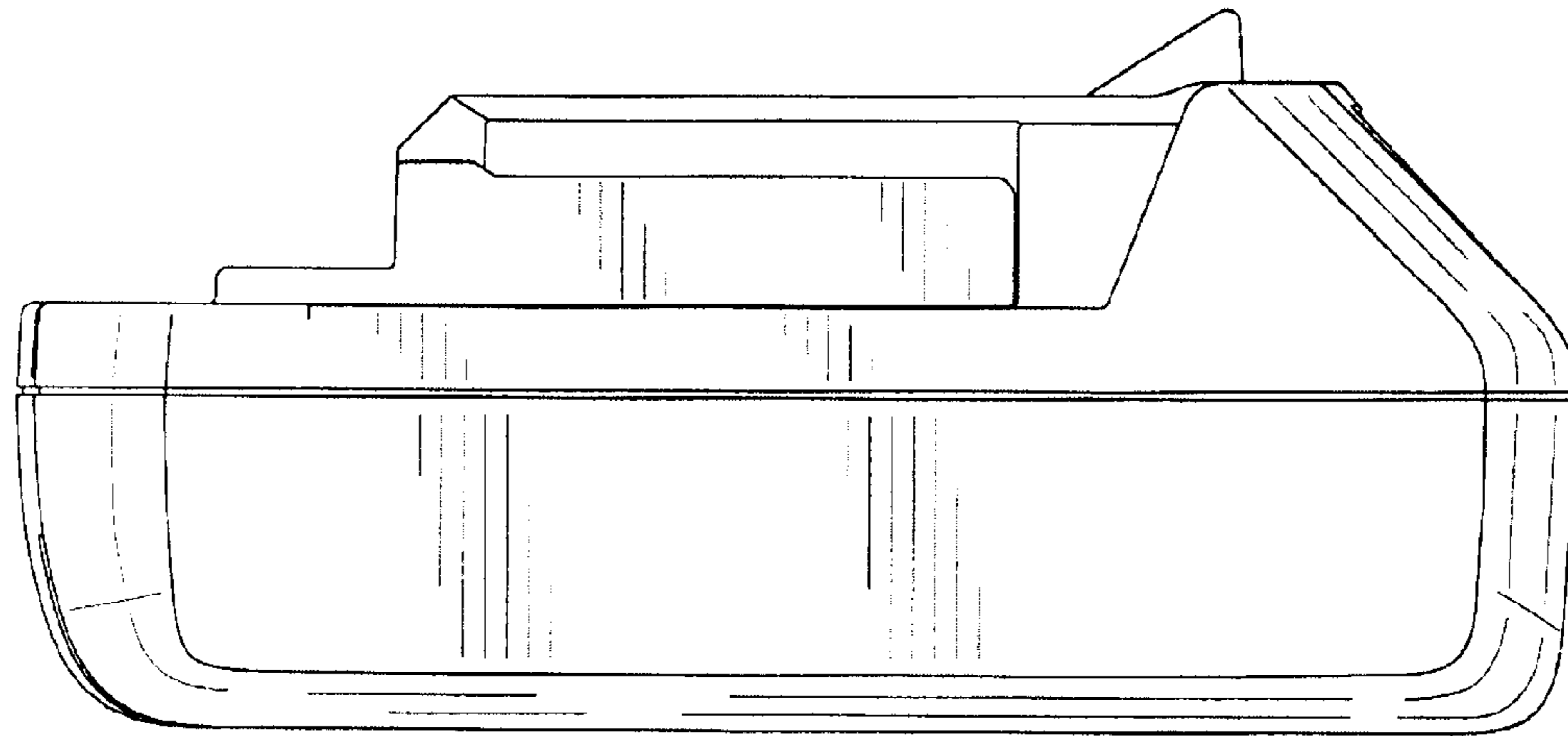


FIG. 2

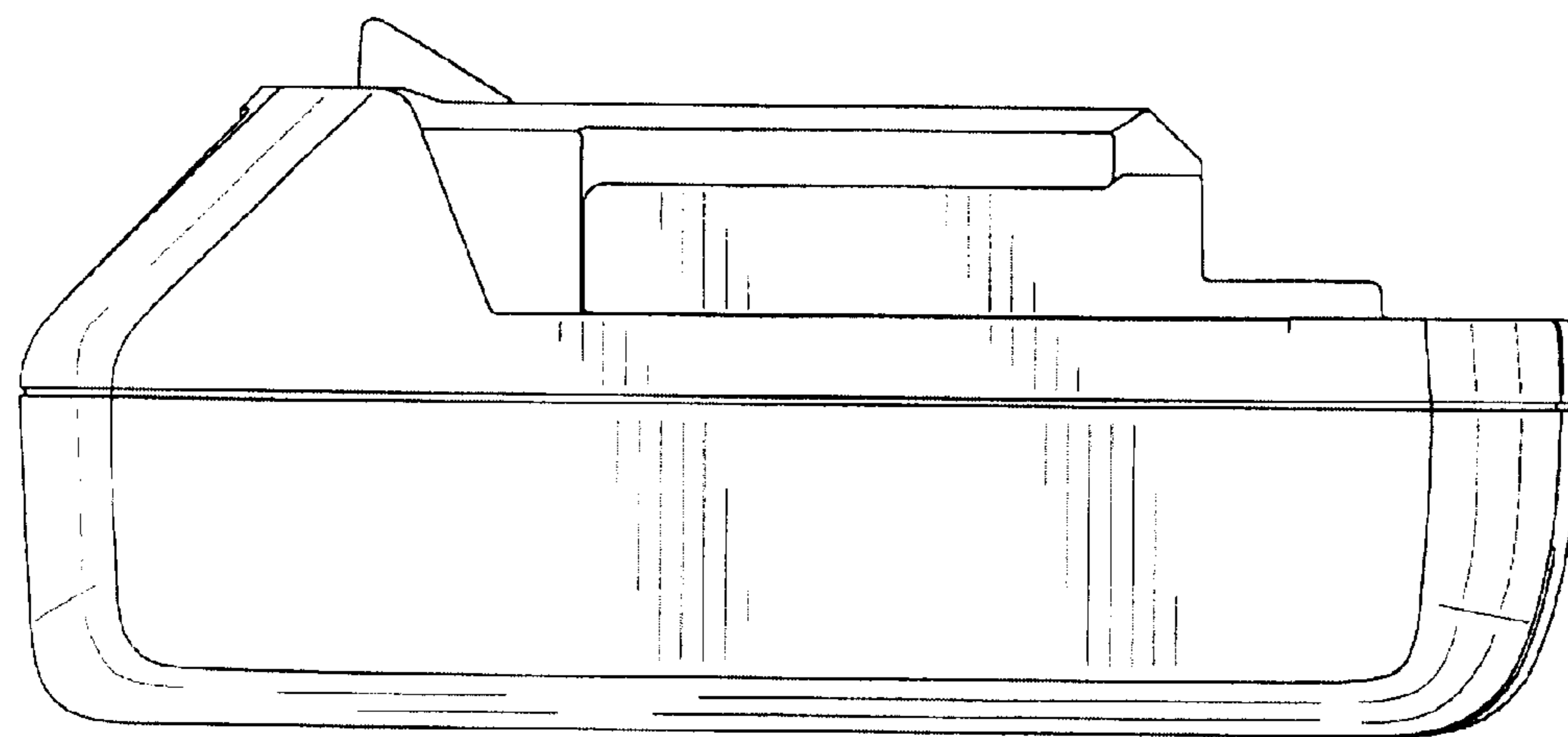


FIG. 3

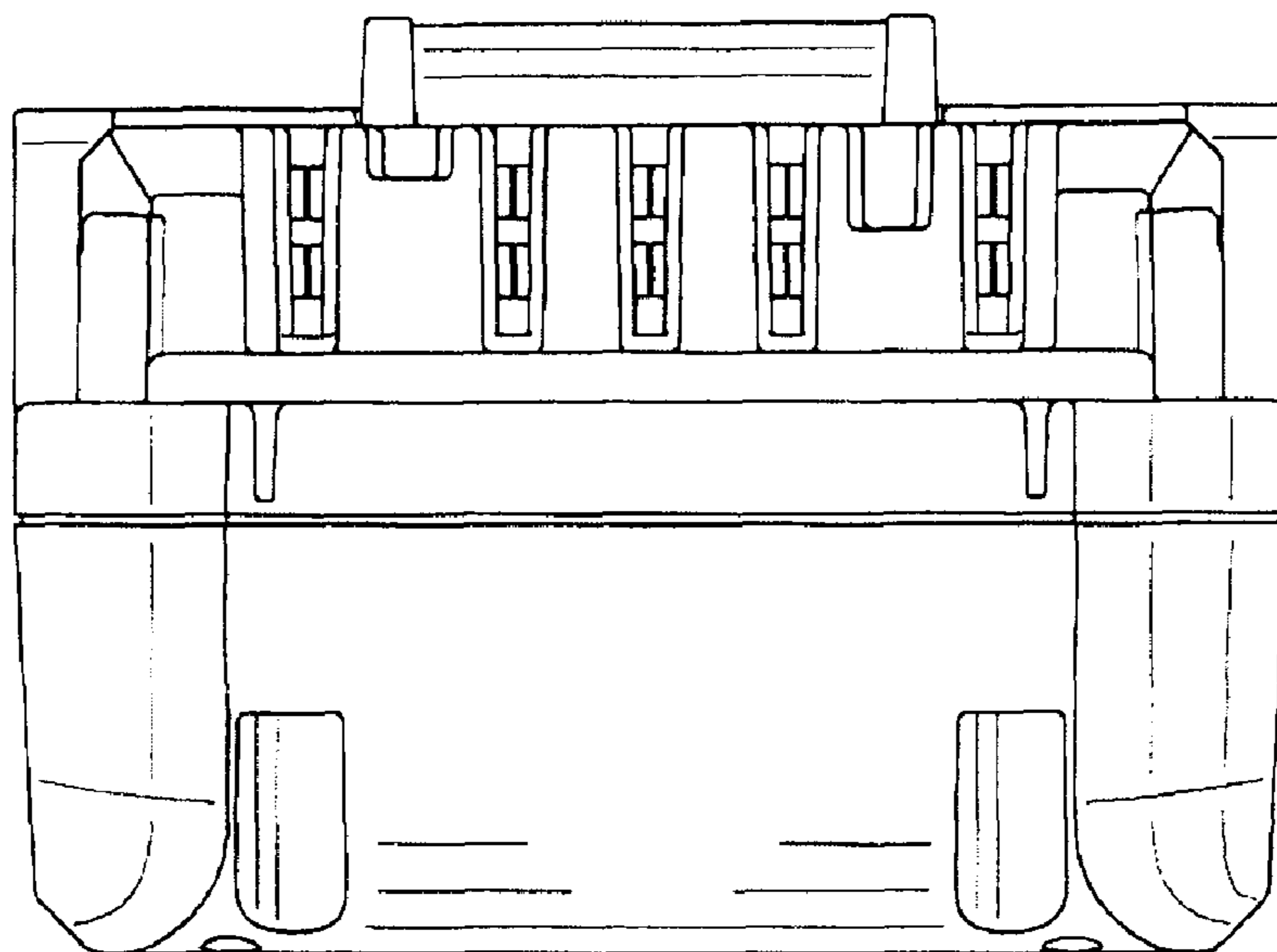


FIG. 4

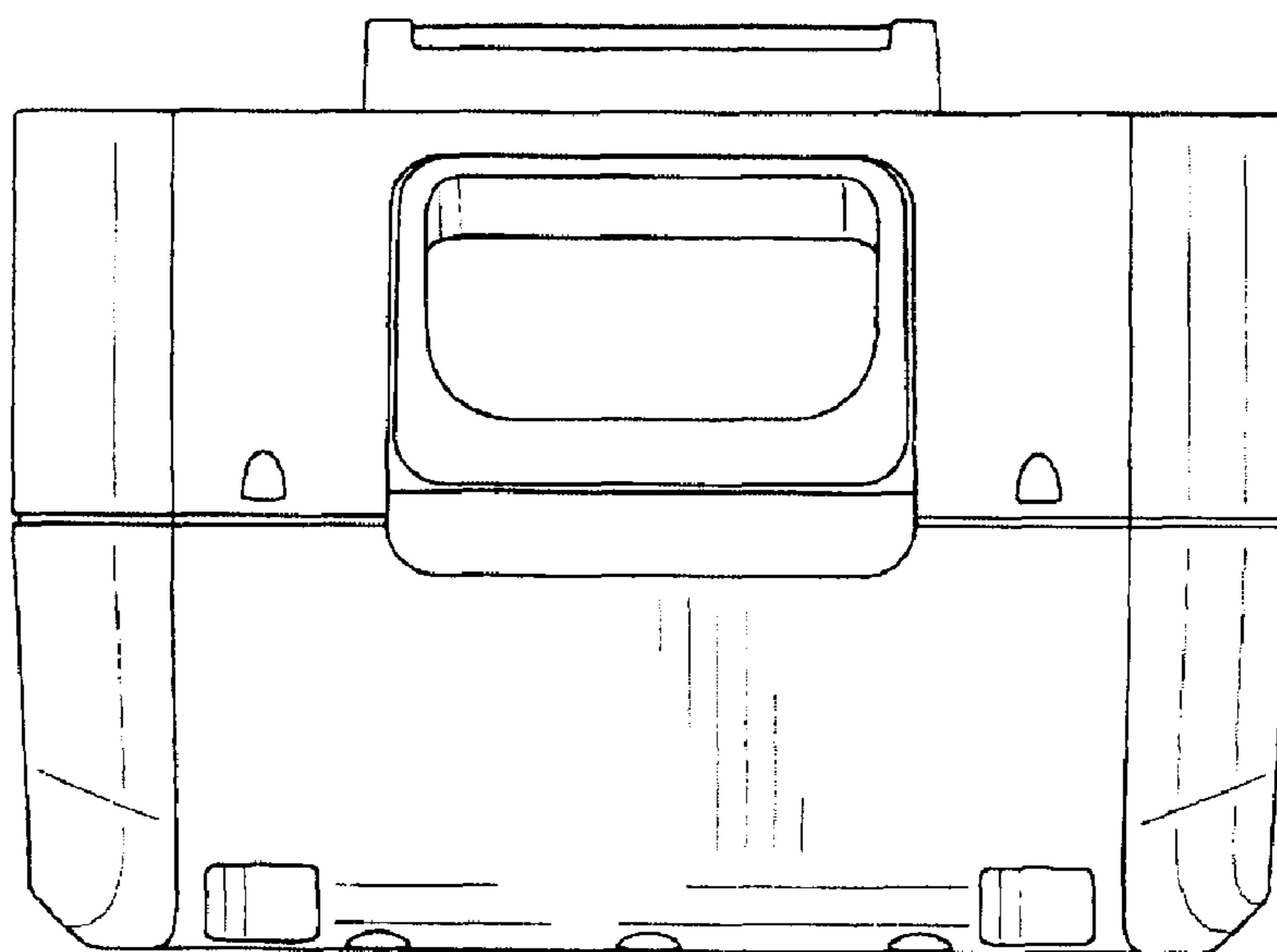


FIG. 5

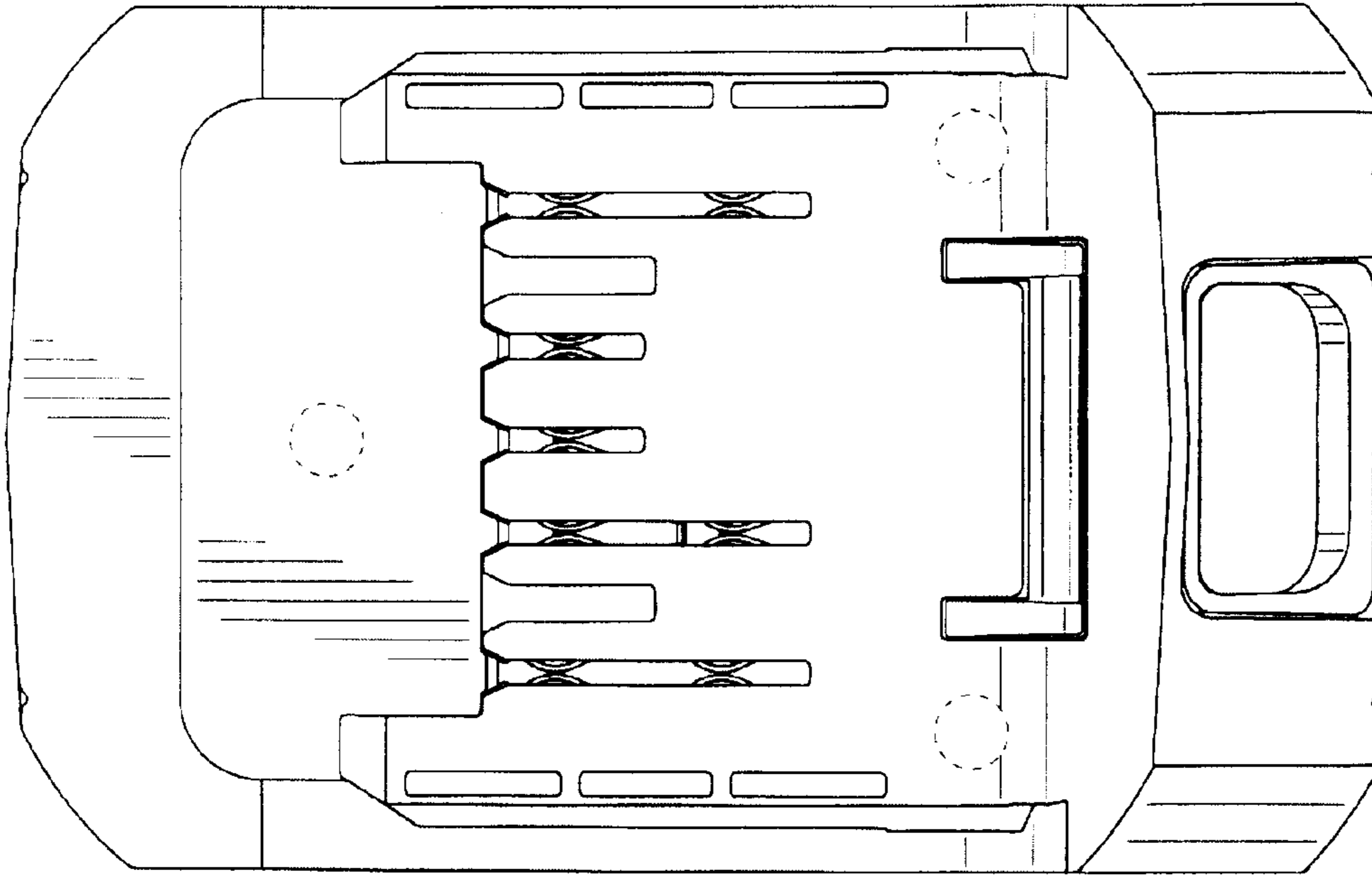


FIG. 6

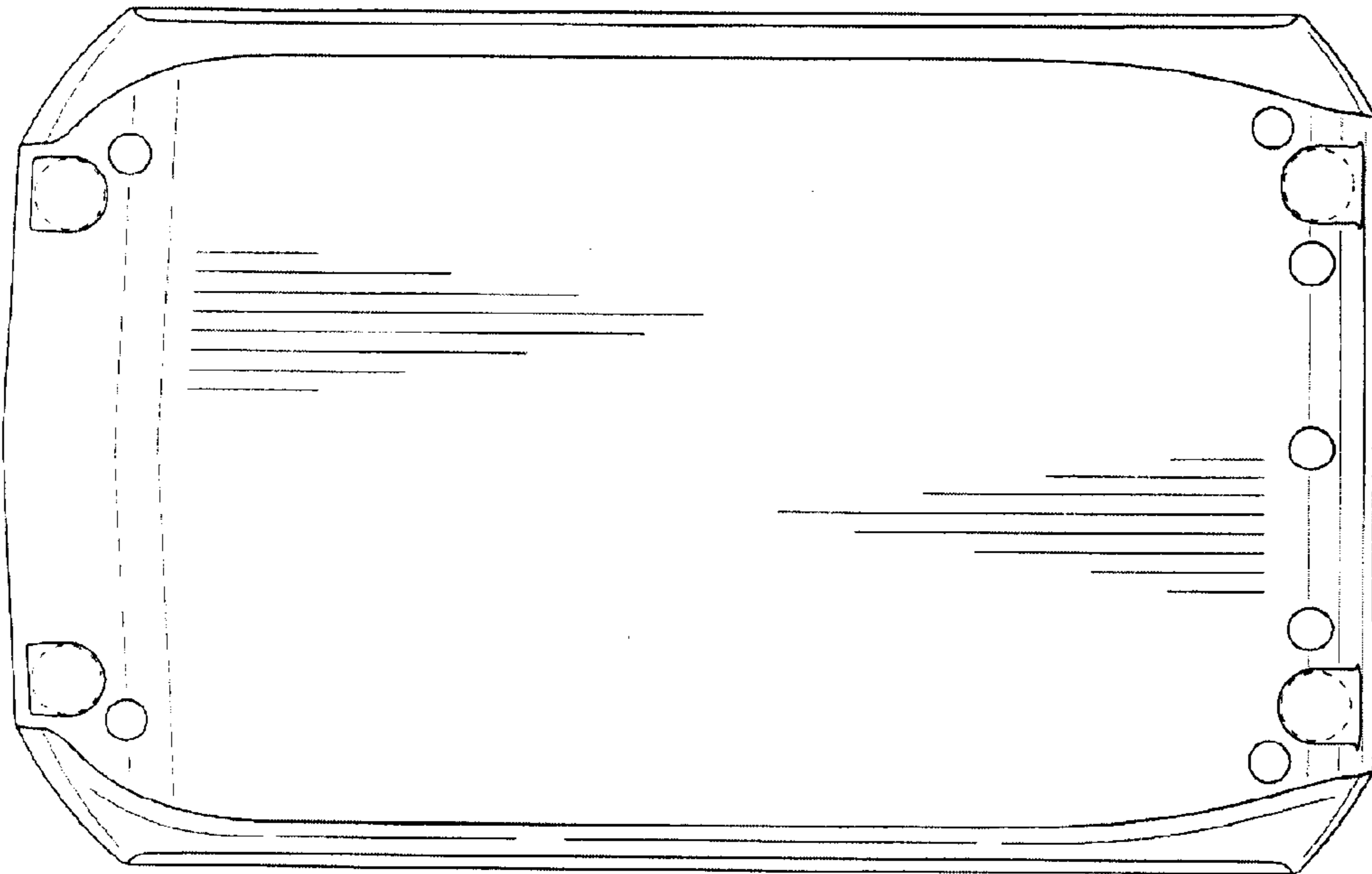


FIG. 7