



US00D643808S

(12) **United States Design Patent**
Shaper

(10) **Patent No.:** **US D643,808 S**

(45) **Date of Patent:** **** Aug. 23, 2011**

(54) **RECHARGEABLE BATTERY**

(75) Inventor: **Richard Shaper**, Hauppauge, NY (US)

(73) Assignee: **Rilin Group, Inc.**, Hauppauge, NY (US)

(**) Term: **14 Years**

(21) Appl. No.: **29/385,894**

(22) Filed: **Feb. 22, 2011**

(51) **LOC (9) Cl.** **13-02**

(52) **U.S. Cl.** **D13/103**

(58) **Field of Classification Search** D13/102-106,
D13/110, 118-119, 184, 199; 429/96-100,
429/163, 176

See application file for complete search history.

(56) **References Cited**

U.S. PATENT DOCUMENTS

3,864,172	A	*	2/1975	Marks	429/1
D327,051	S	*	6/1992	Schwartz	D13/118
D343,381	S	*	1/1994	Inukai et al.	D13/107
D384,032	S	*	9/1997	Lui	D13/103
D490,772	S	*	6/2004	Chu	D13/103
D503,674	S	*	4/2005	Huey	D13/103
D571,719	S	*	6/2008	Lee	D13/103

D602,857	S	*	10/2009	Melzner et al.	D13/103
D632,643	S	*	2/2011	Tanaka et al.	D13/103
D635,507	S	*	4/2011	Ueda et al.	D13/103

* cited by examiner

Primary Examiner — Rosemary K Tarcza

(74) *Attorney, Agent, or Firm* — Siegmur Silber, Esq

(57) **CLAIM**

The ornamental design for a rechargeable battery, as shown and described.

DESCRIPTION

FIG. 1 is a perspective view of a rechargeable battery of the present design;

FIG. 2 is a front elevational view of FIG. 1;

FIG. 3 is a rear elevational view of FIG. 1;

FIG. 4 is a left side elevational view of FIG. 2,

FIG. 5 is a right side elevational of FIG. 2;

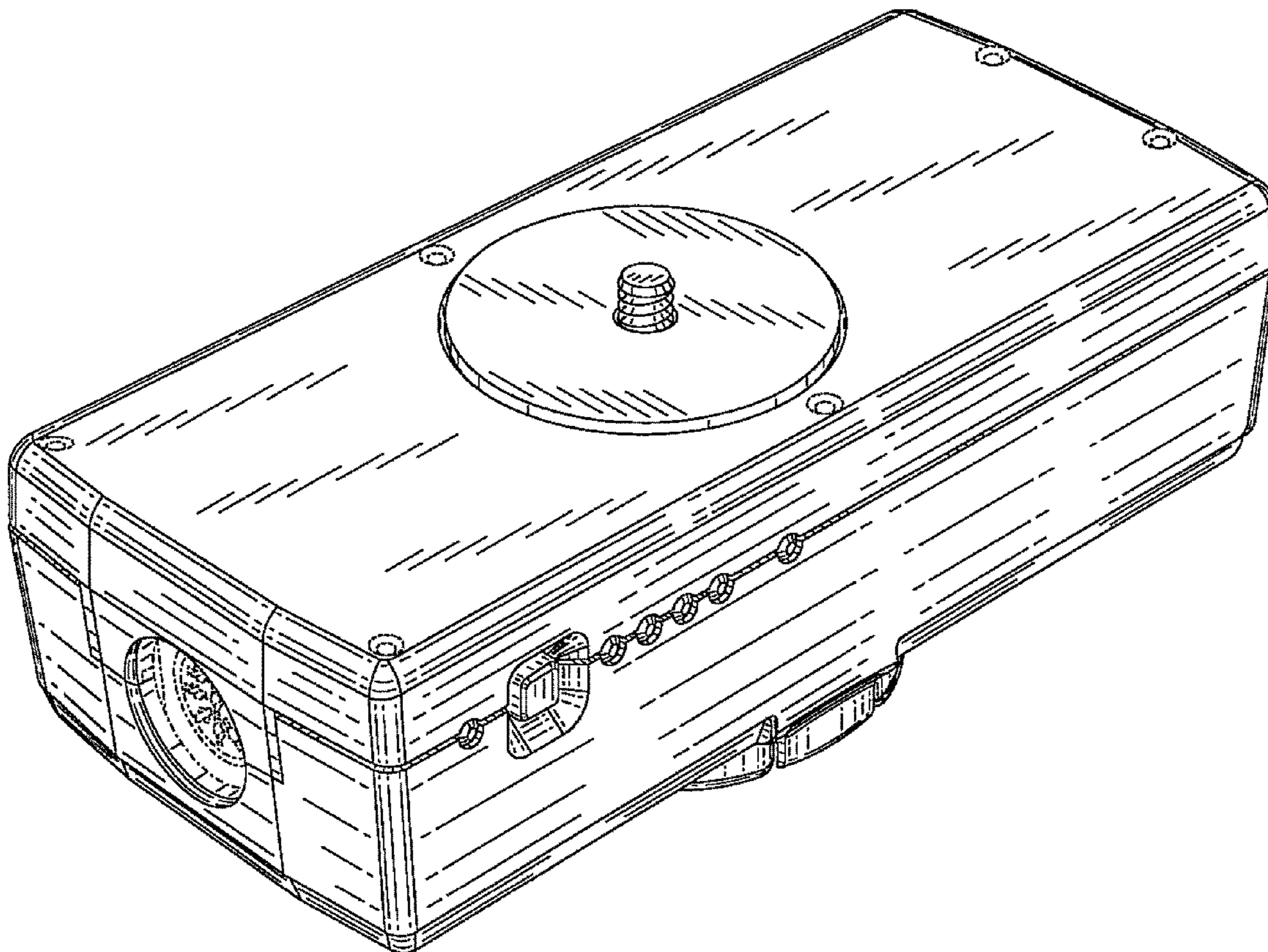
FIG. 6 is a top plan view of FIG. 2;

FIG. 7 is a bottom plan view of FIG. 2; and,

FIG. 8 is a perspective view of a rechargeable battery of the present design with the associated camera and flash unit shown in dashed lines.

The broken lines shown in the drawings are included for the purpose of illustrating unclaimed portions of the rechargeable battery and form no part of the claimed design.

1 Claim, 7 Drawing Sheets



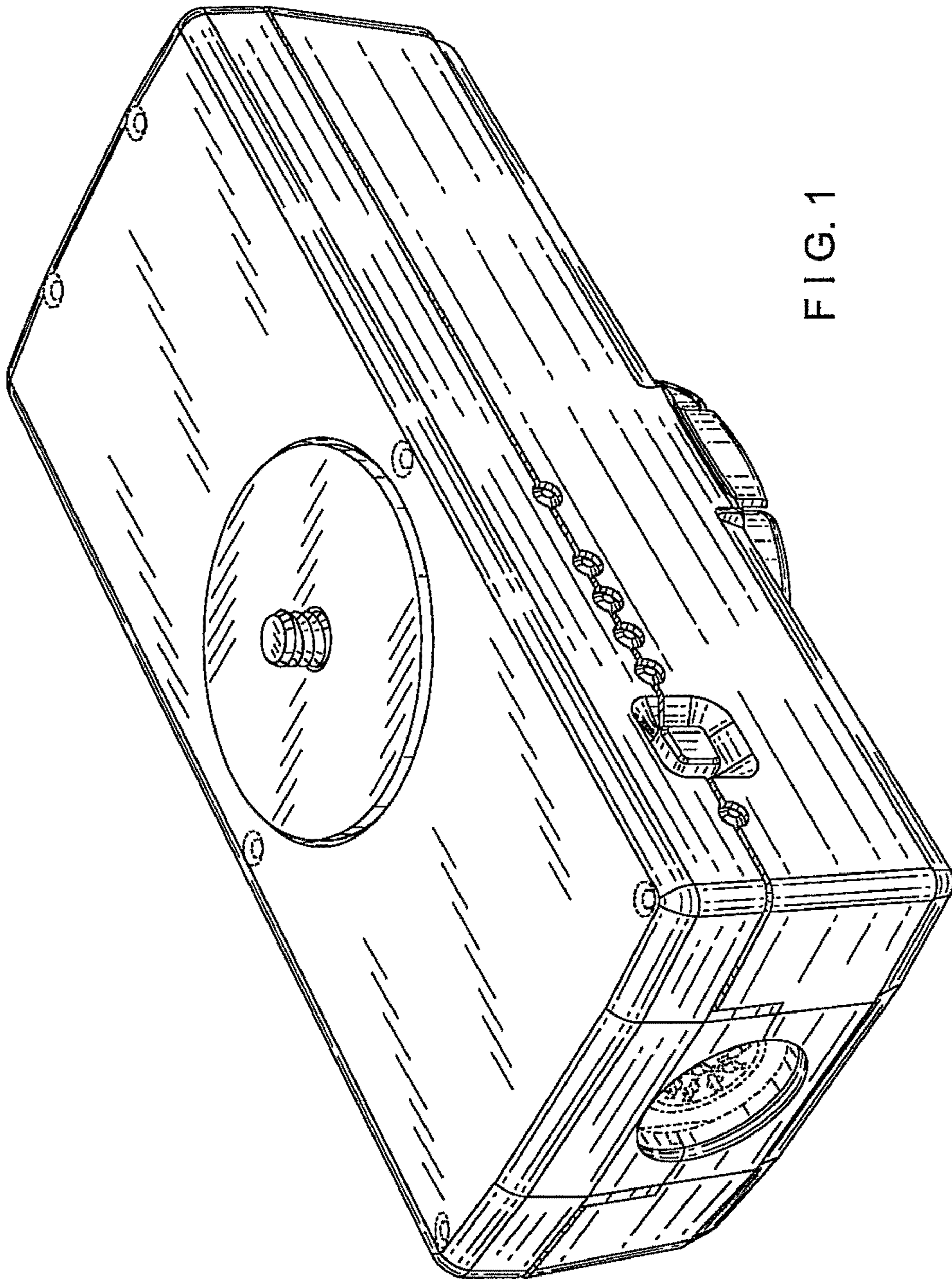


FIG. 1

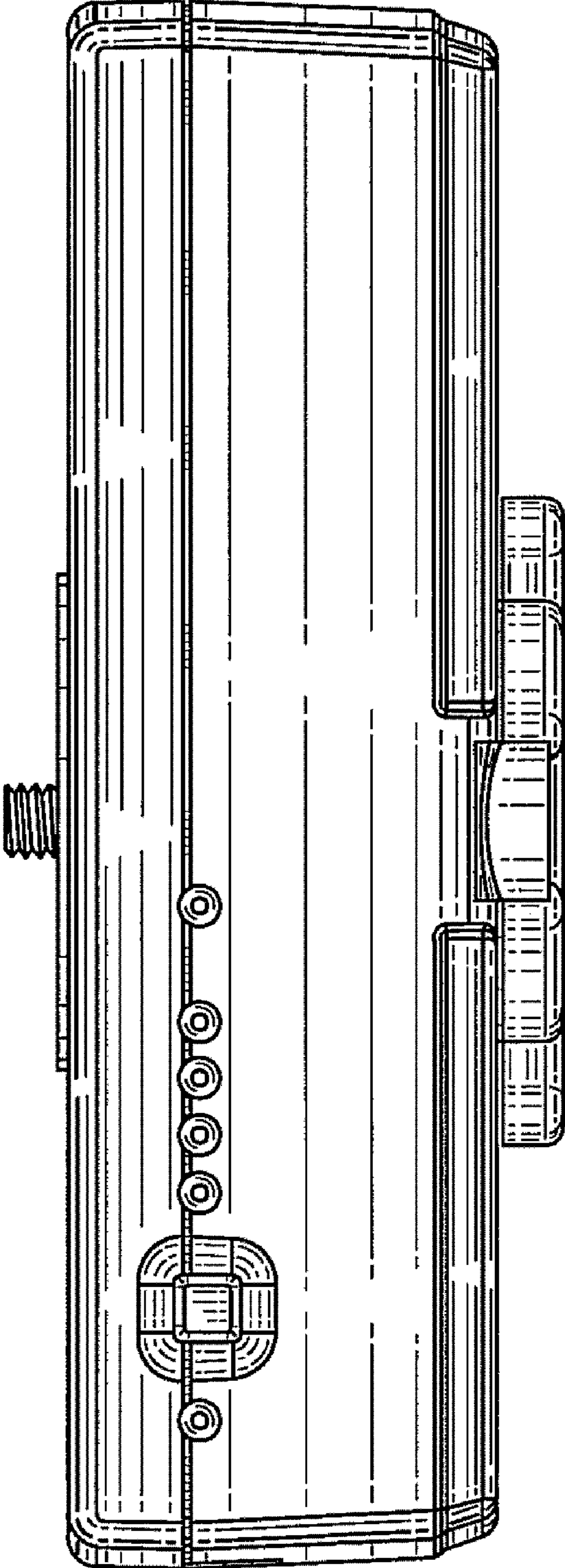


FIG. 2

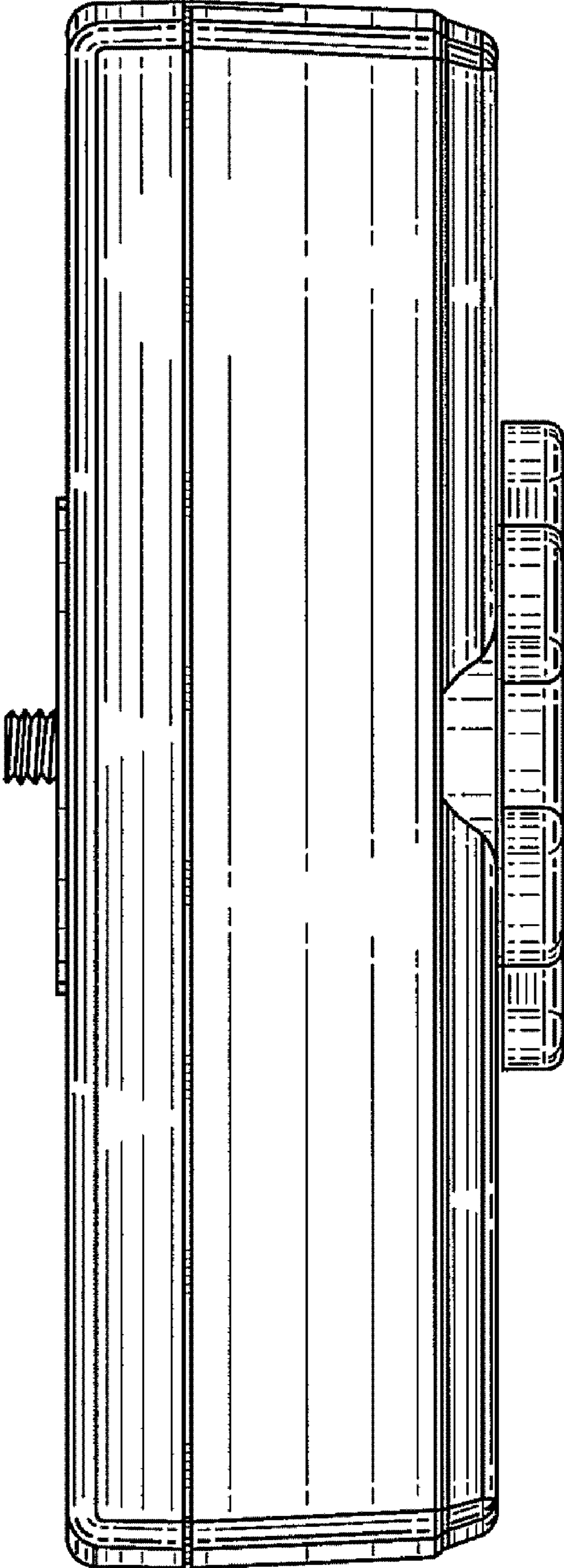


FIG. 3

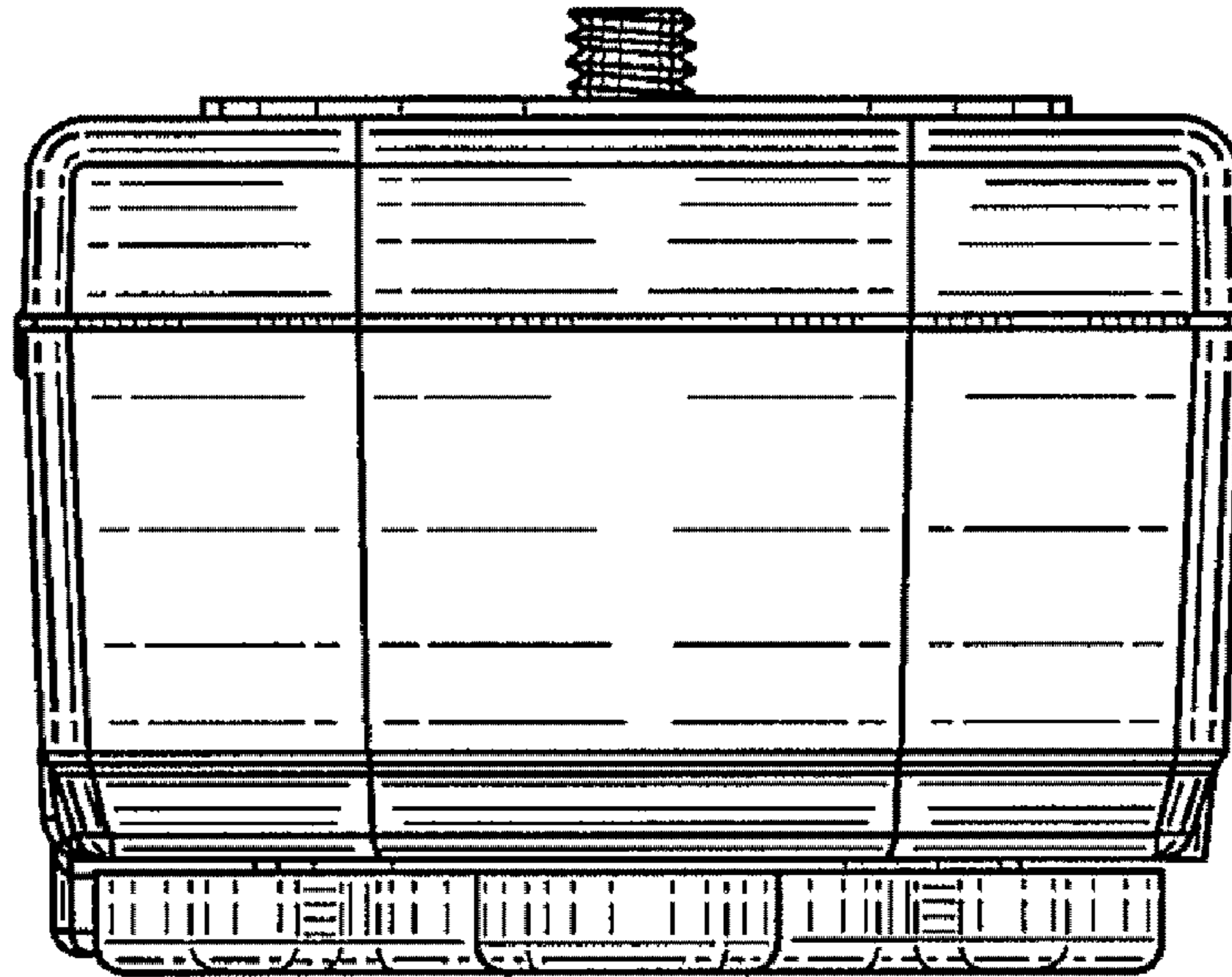


FIG. 4

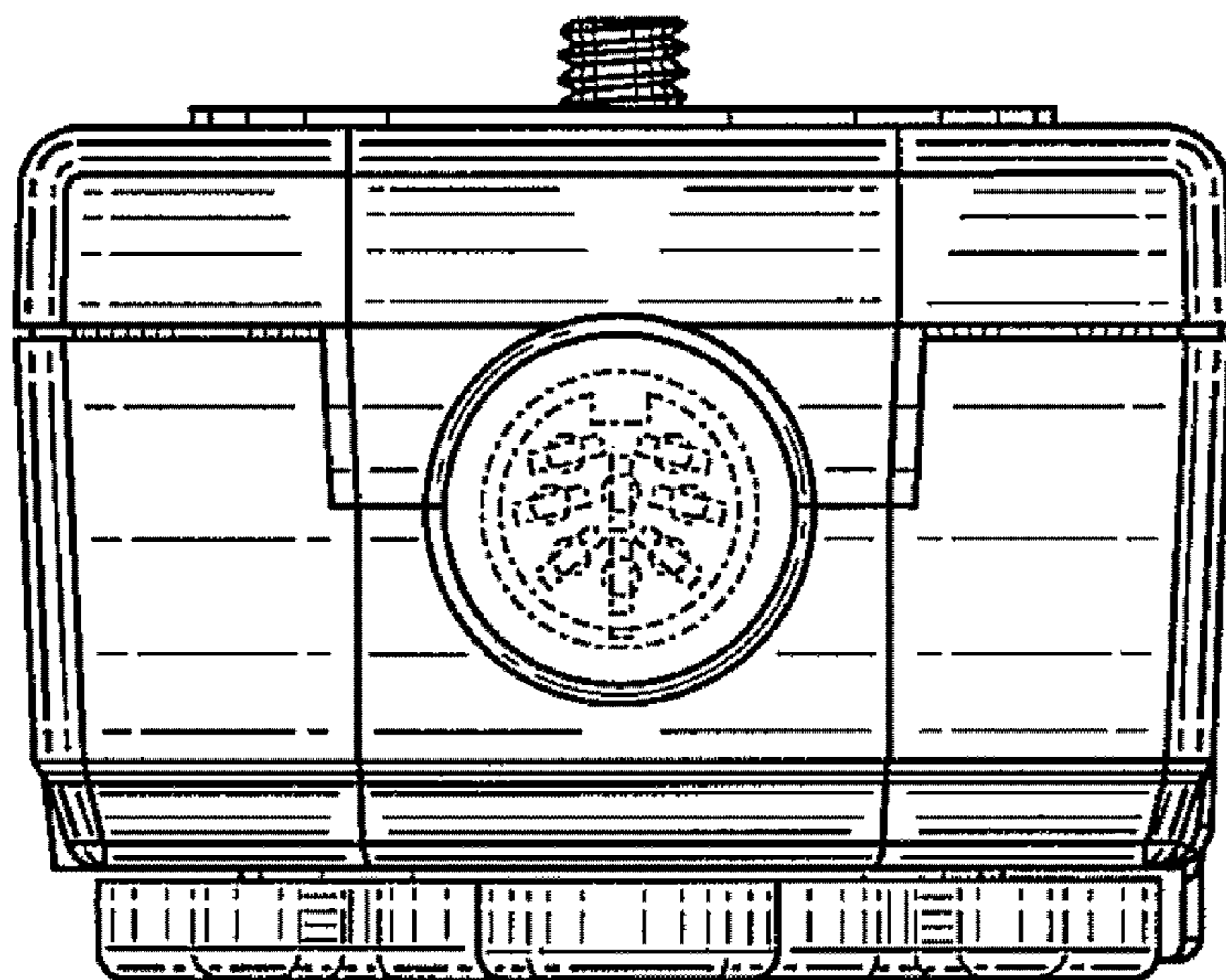


FIG. 5

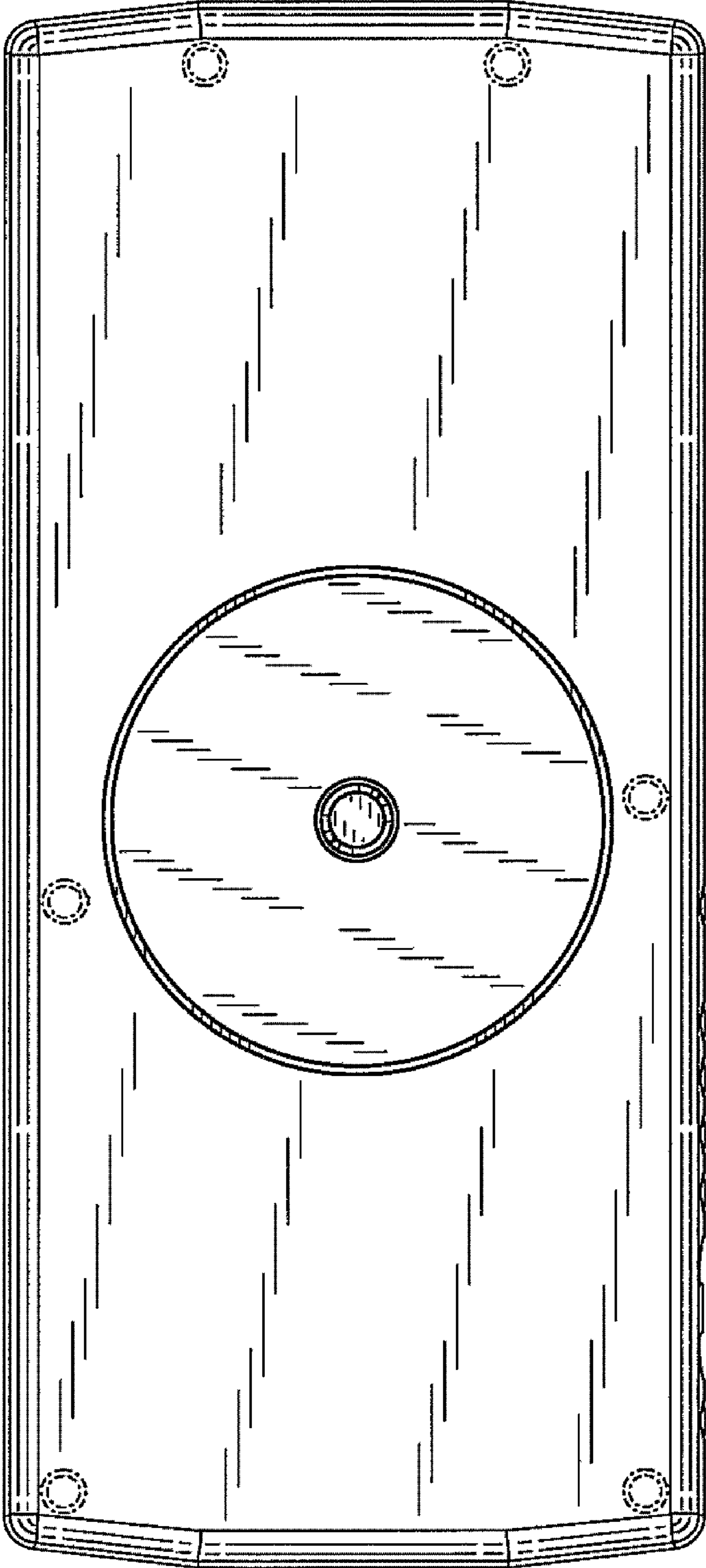


FIG. 6

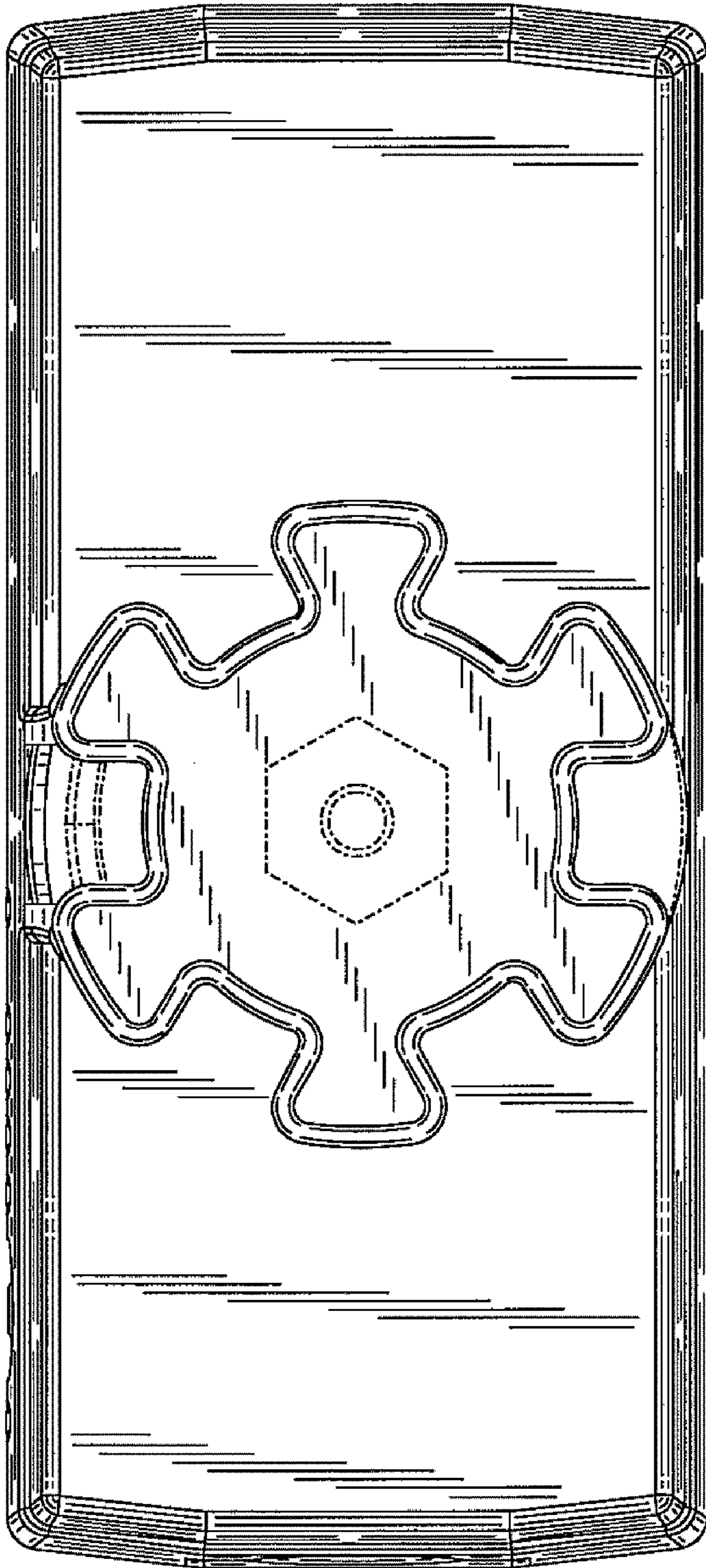


FIG. 7

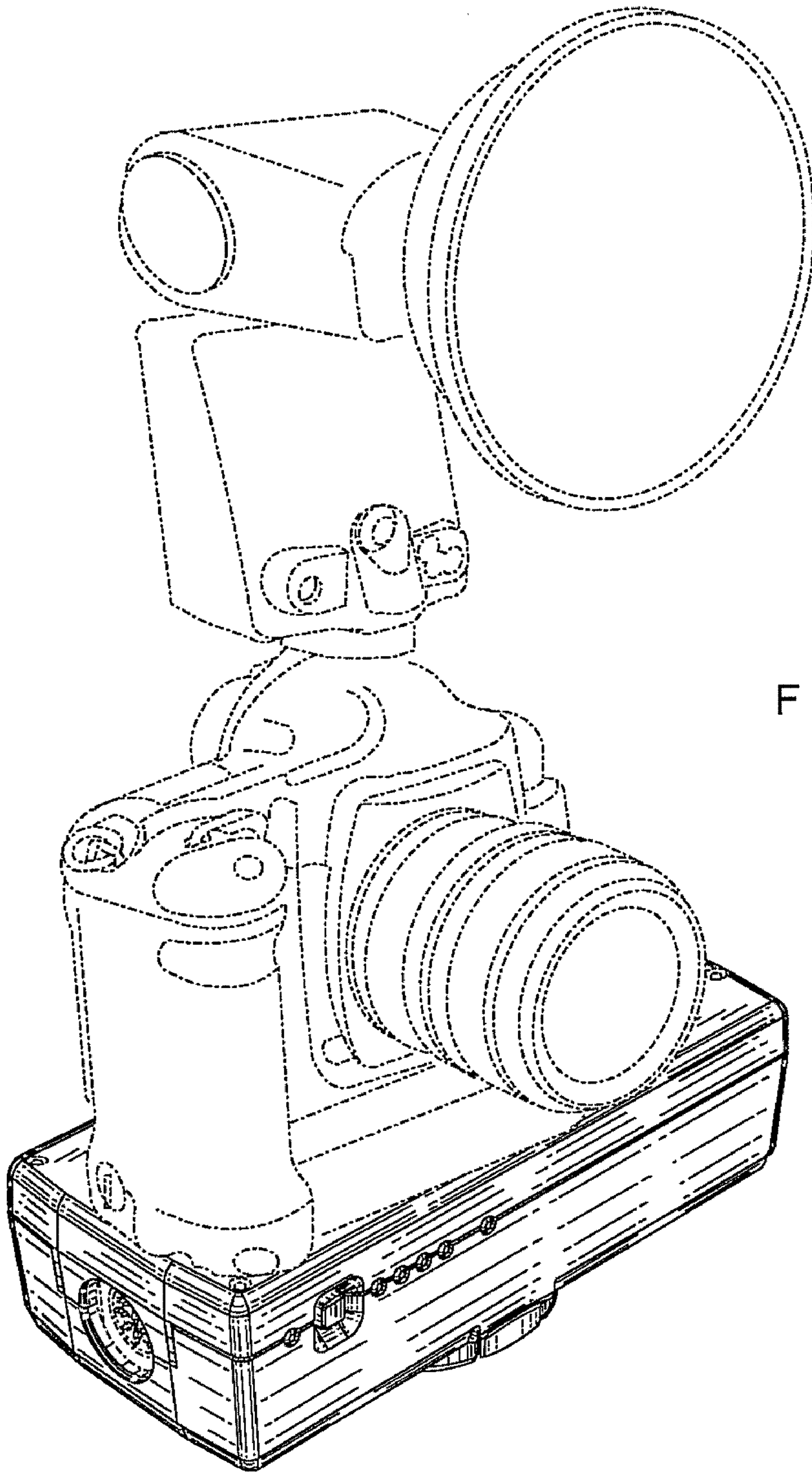


FIG. 8