



US00D643804S

(12) **United States Design Patent**
Dixon et al.

(10) **Patent No.:** **US D643,804 S**
(45) **Date of Patent:** **** Aug. 23, 2011**

(54) **TIRE**

(75) Inventors: **Max Harold Dixon**, Kent, OH (US);
Robert Edgar Boore, Uniontown, OH
(US); **Michael Howard Curtis**, Stow,
OH (US); **Karl Eric Sundkvist**, Akron,
OH (US)

(73) Assignee: **The Goodyear Tire & Rubber
Company**, Akron, OH (US)

(**) Term: **14 Years**

(21) Appl. No.: **29/353,863**

(22) Filed: **Jan. 15, 2010**

(51) **LOC (9) Cl.** **12-15**

(52) **U.S. Cl.** **D12/594**

(58) **Field of Classification Search** D12/568–603,
D12/558–565, 900–901; 152/209.1–209.28,
152/455

See application file for complete search history.

(56) **References Cited**

U.S. PATENT DOCUMENTS

D325,012 S	3/1992	Covert et al.	D12/147
D326,075 S	5/1992	Covert et al.	D12/147
D351,126 S *	10/1994	Manestar	D12/594
D365,065 S	12/1995	Galante et al.	D12/147
D379,786 S	6/1997	Brown et al.	D12/146
D388,372 S	12/1997	Brown et al.	D12/146
D391,205 S	2/1998	Schad et al.	D12/147
D399,461 S *	10/1998	Lurois et al.	D12/601
D402,240 S *	12/1998	Hubbell, Jr.	D12/594
D403,627 S *	1/1999	Graas	D12/594
D421,942 S *	3/2000	Fierro et al.	D12/594
D421,943 S	3/2000	Fierro et al.	D12/147
D422,246 S	4/2000	Fierro et al.	D12/146
D445,071 S	7/2001	Brightwell et al.	D12/147
D451,455 S *	12/2001	Helt	D12/600
D454,331 S *	3/2002	Fierro et al.	D12/594

D455,997 S	4/2002	Fierro et al.	D12/527
D481,005 S	10/2003	Umstot et al.	D12/600
D485,231 S *	1/2004	Nonaka	D12/594
D497,875 S *	11/2004	Le et al.	D12/594
D499,694 S *	12/2004	Osaki et al.	D12/594
D504,657 S	5/2005	Allen et al.	D12/579
D517,470 S *	3/2006	Welbes	D12/594
D566,040 S *	4/2008	Diensthuber et al.	D12/594
D637,150 S *	5/2011	Koshio	D12/600

* cited by examiner

Primary Examiner — Stacia Cadmus

(74) *Attorney, Agent, or Firm* — Richard B. O'Planick

(57) **CLAIM**

The ornamental design for a tire, as shown and described.

DESCRIPTION

FIG. 1 is a perspective view of a tire showing our new design, it being understood that the pattern repeats uniformly throughout the circumference of the tread;

FIG. 2 is a front elevational view thereof;

FIG. 3 is a right side elevational view thereof; the opposite side elevational view being identical thereto;

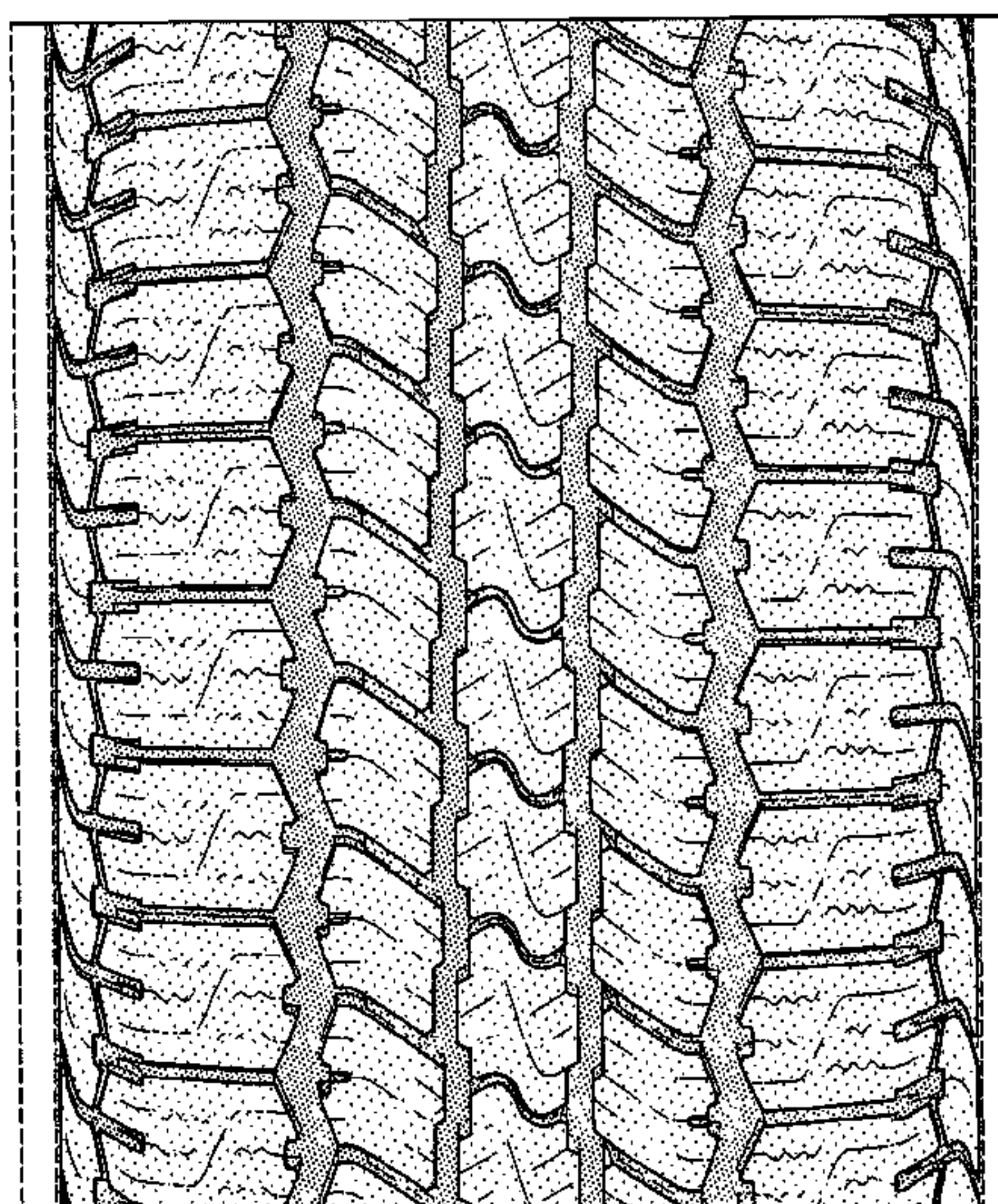
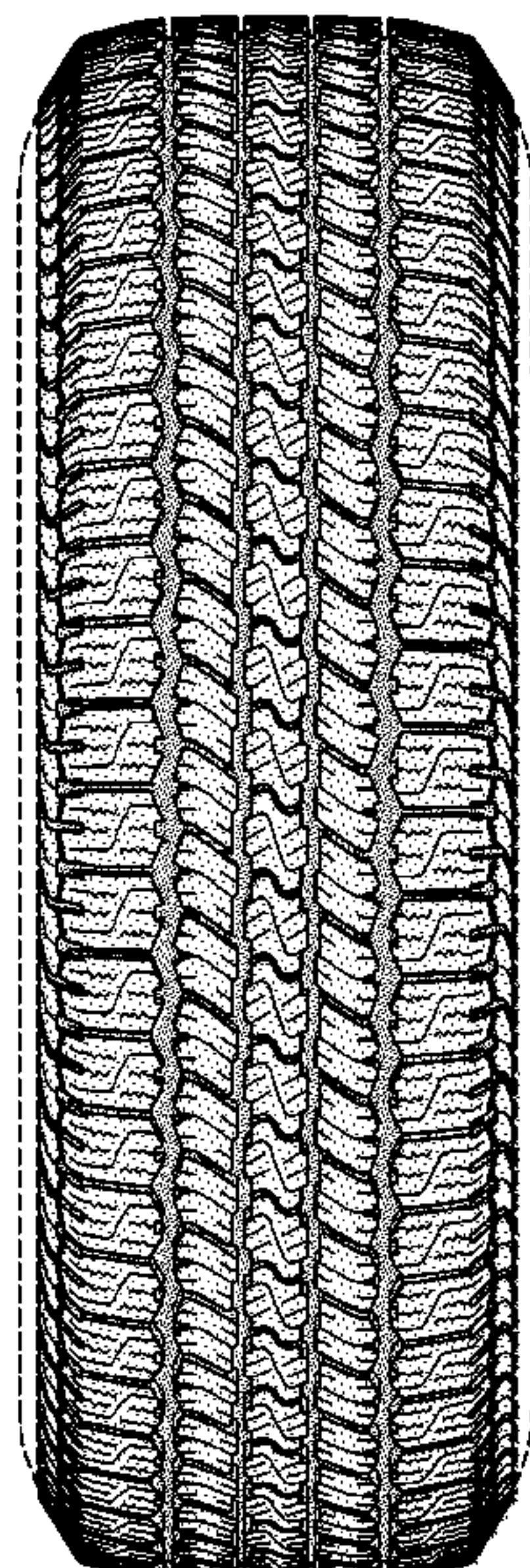
FIG. 4 is an enlarged fragmentary front elevational view thereof;

FIG. 5 is a perspective view of a second embodiment of a tire showing our new design, it being understood that the pattern repeats uniformly throughout the circumference of the tread and that the opposite side view is identical thereto; and,

FIG. 6 is a front elevational view of a second embodiment, it being understood that an enlarged fragmentary view thereof would be substantially identical to that shown in FIG. 4, with the exception of the inclusion of the sidewall in solid lines.

In the drawings, the broken lines showing of the sidewall, inner bead and the peripheral boundary between the tire tread and the sidewall in FIGS. 1 through 4 depict environmental subject matter and form no part of the claimed design.

1 Claim, 6 Drawing Sheets



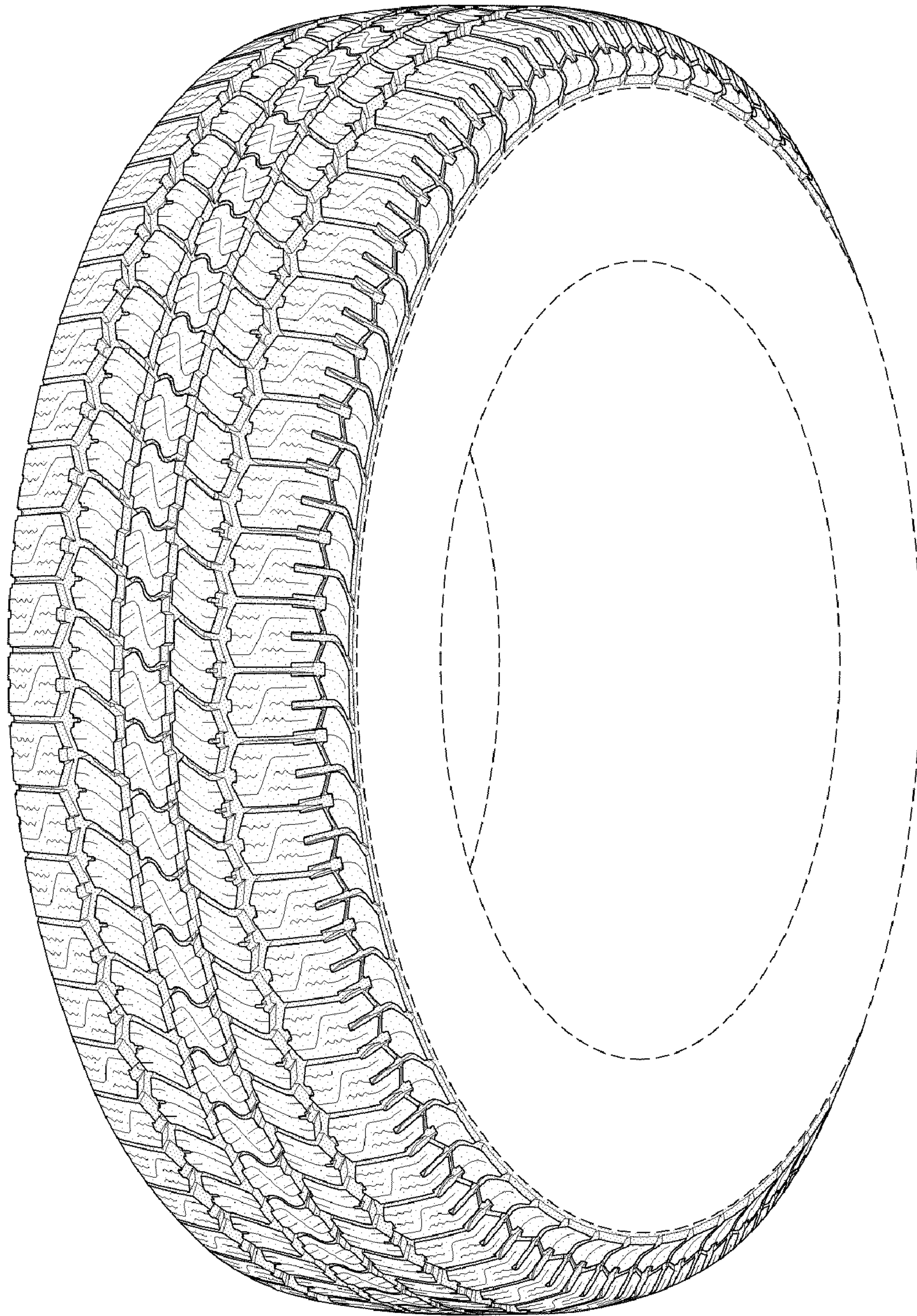


FIG-1

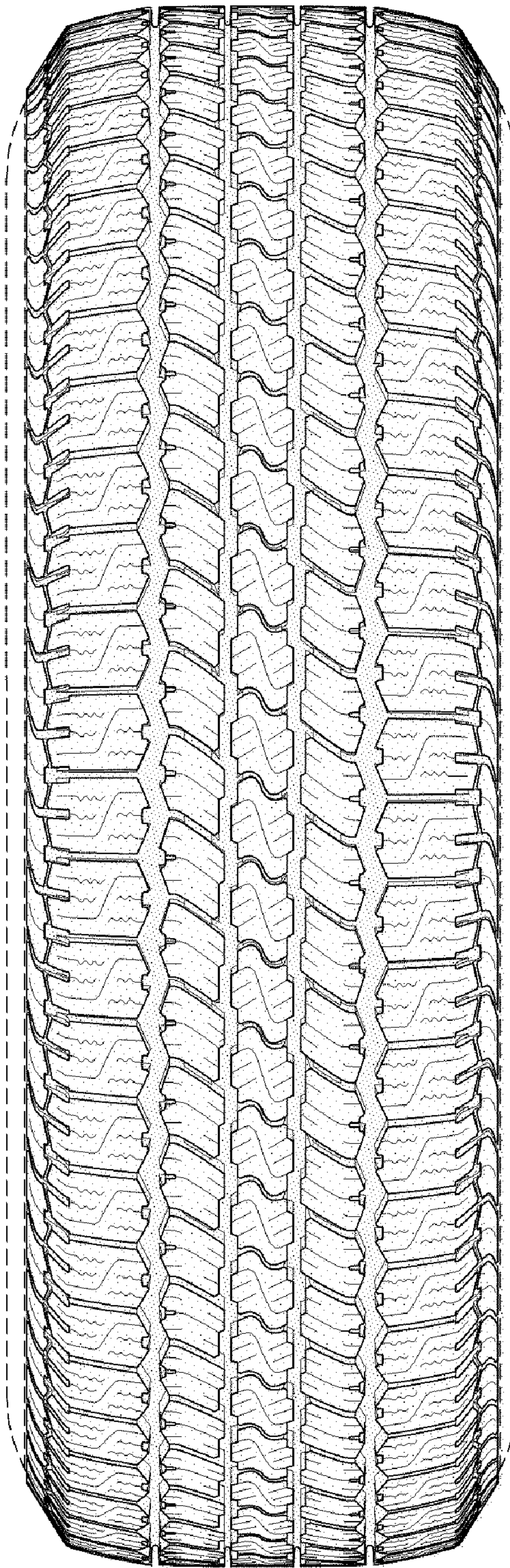


FIG-2

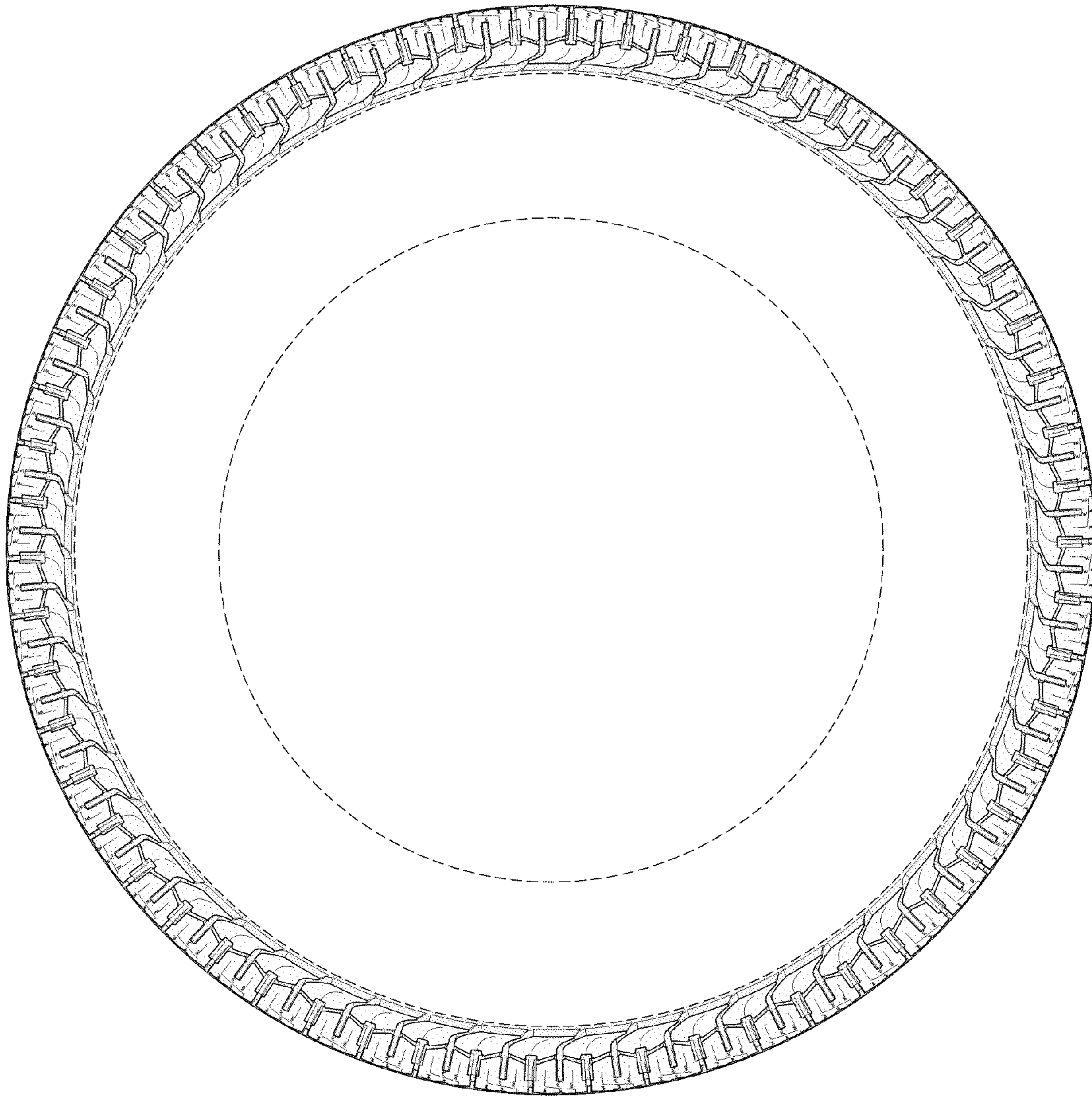


FIG-3

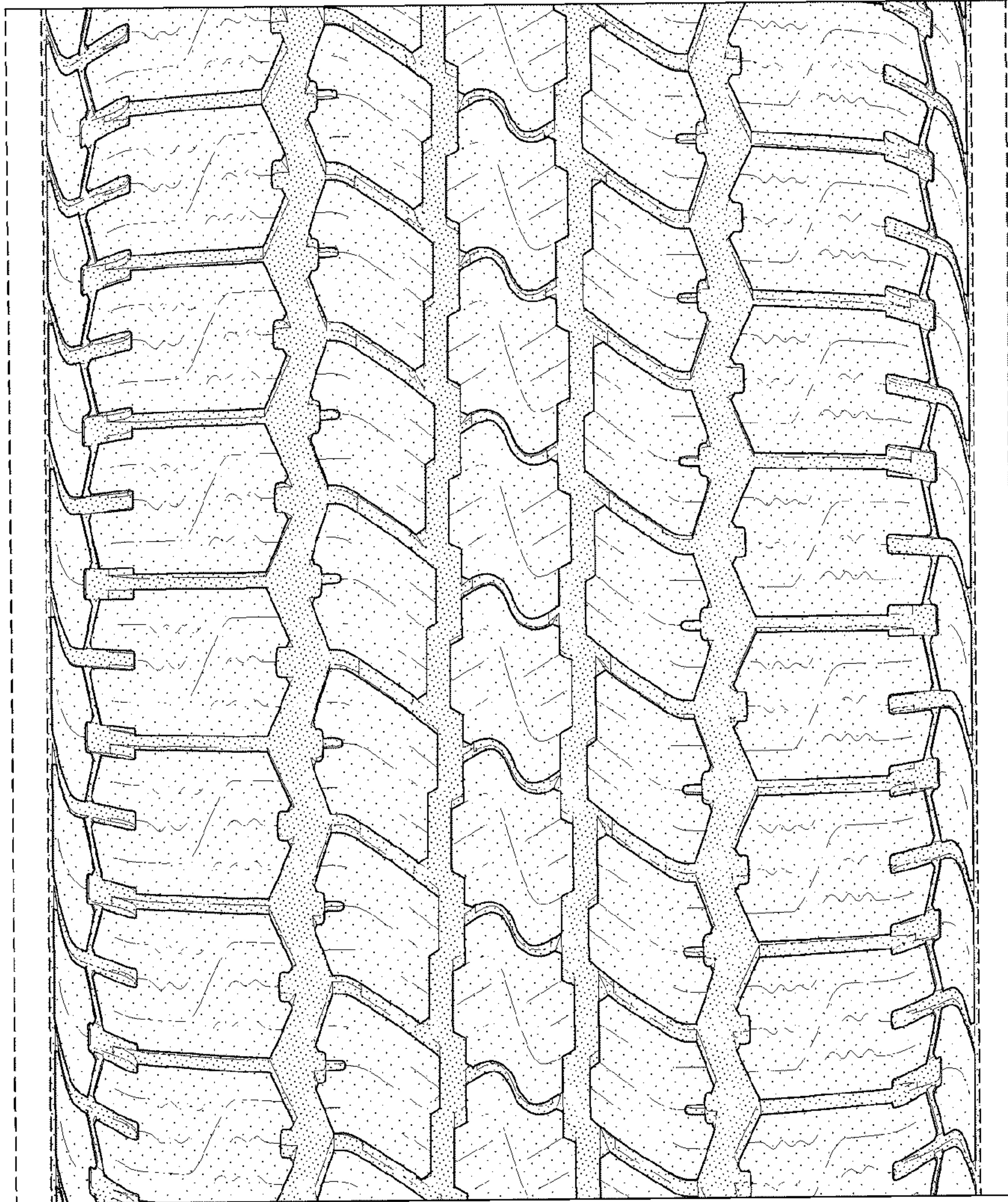


FIG-4

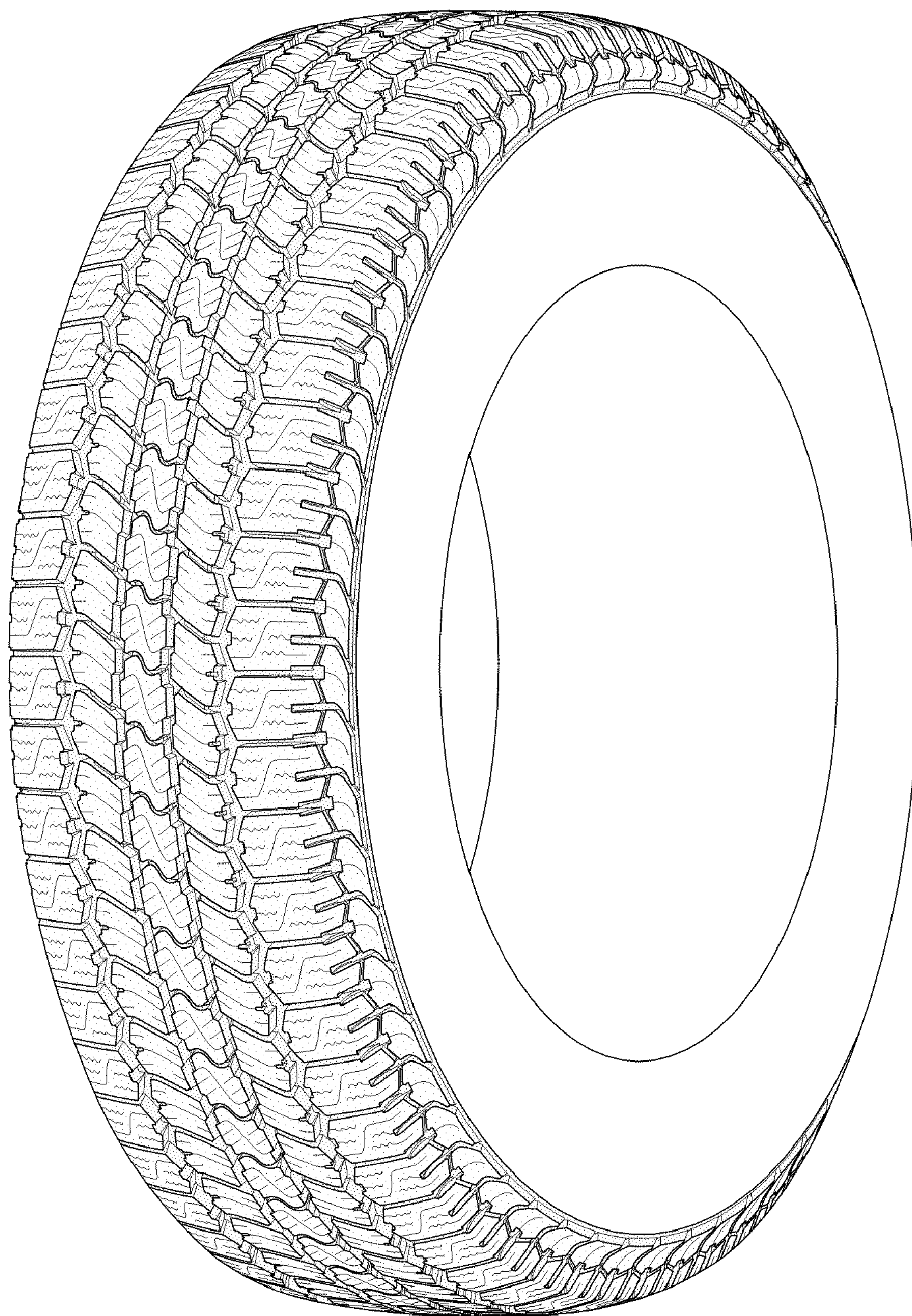


FIG-5

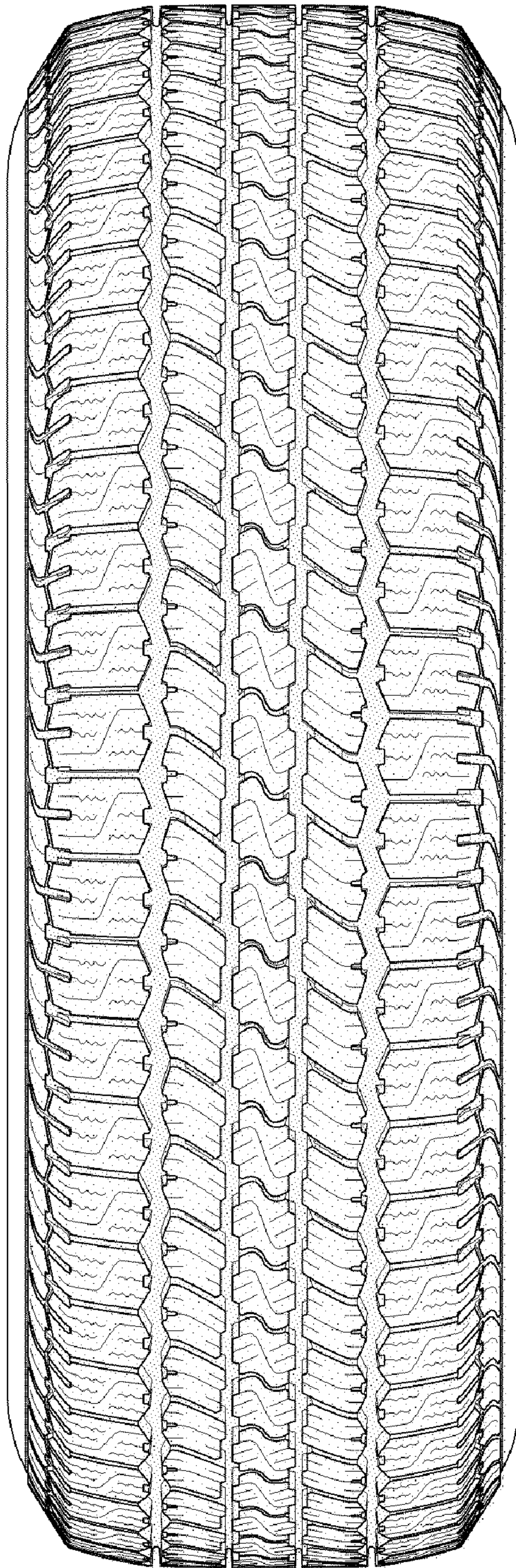


FIG-6