



US00D643799S

(12) **United States Design Patent**
Berryman et al.

(10) **Patent No.:** **US D643,799 S**

(45) **Date of Patent:** **** Aug. 23, 2011**

(54) **TIRE**

(75) Inventors: **Eric Jon Berryman**, Cuyahoga Falls, OH (US); **Jonathan James Shondel**, Massillon, OH (US)

(73) Assignee: **The Goodyear Tire & Rubber Company**, Akron, OH (US)

(**) Term: **14 Years**

(21) Appl. No.: **29/345,563**

(22) Filed: **Oct. 19, 2009**

(51) **LOC (9) Cl.** **12-15**

(52) **U.S. Cl.** **D12/523**

(58) **Field of Classification Search** D12/505-532, D12/900-901; 152/209.1-209.28, 455
See application file for complete search history.

(56) **References Cited**

U.S. PATENT DOCUMENTS

D328,729 S	8/1992	Maxwell et al.	D12/141
D340,685 S	10/1993	Maxwell et al.	D12/147
D347,817 S *	6/1994	Montag	D12/523
D432,956 S *	10/2000	Ricquet	D12/521
D542,217 S	5/2007	Heinen et al.	D12/555
D560,599 S	1/2008	Dixon et al.	D12/587
D560,600 S	1/2008	Dixon et al.	D12/588
D597,474 S *	8/2009	Yamakawa et al.	D12/523
D601,939 S *	10/2009	Fontaine et al.	D12/523
D606,002 S *	12/2009	Yamakawa et al.	D12/523
D609,627 S *	2/2010	Frappart et al.	D12/523
D612,321 S *	3/2010	Bott et al.	D12/523

D622,656 S *	8/2010	Ohashi	D12/519
D626,910 S *	11/2010	Bott et al.	D12/523
D634,261 S *	3/2011	Schmalix et al.	D12/519

* cited by examiner

Primary Examiner — Stacia Cadmus

(74) *Attorney, Agent, or Firm* — Richard B. O'Planick

(57) **CLAIM**

The ornamental design for a tire, as shown and described.

DESCRIPTION

FIG. 1 is a perspective view of a tire showing our new design, it being understood that the pattern repeats uniformly throughout the circumference of the tread;

FIG. 2 is a front elevational view thereof;

FIG. 3 is a right side elevational view thereof;

FIG. 4 is a left side elevational view thereof;

FIG. 5 is an enlarged fragmentary front elevational view thereof;

FIG. 6 is a perspective view of a second embodiment of a tire showing our new design, it being understood that the pattern repeats uniformly throughout the circumference of the tread; and,

FIG. 7 is a front elevational view of a second embodiment, it being understood that an enlarged fragmentary view thereof would be substantially identical to that shown in FIG. 5, with the exception of the inclusion of the sidewall in solid lines.

In the drawings, the broken lines showing of the sidewall, inner bead and the peripheral boundary between the tire tread and the sidewall in FIGS. 1 through 4 depict environmental subject matter and form no part of the claimed design.

1 Claim, 7 Drawing Sheets

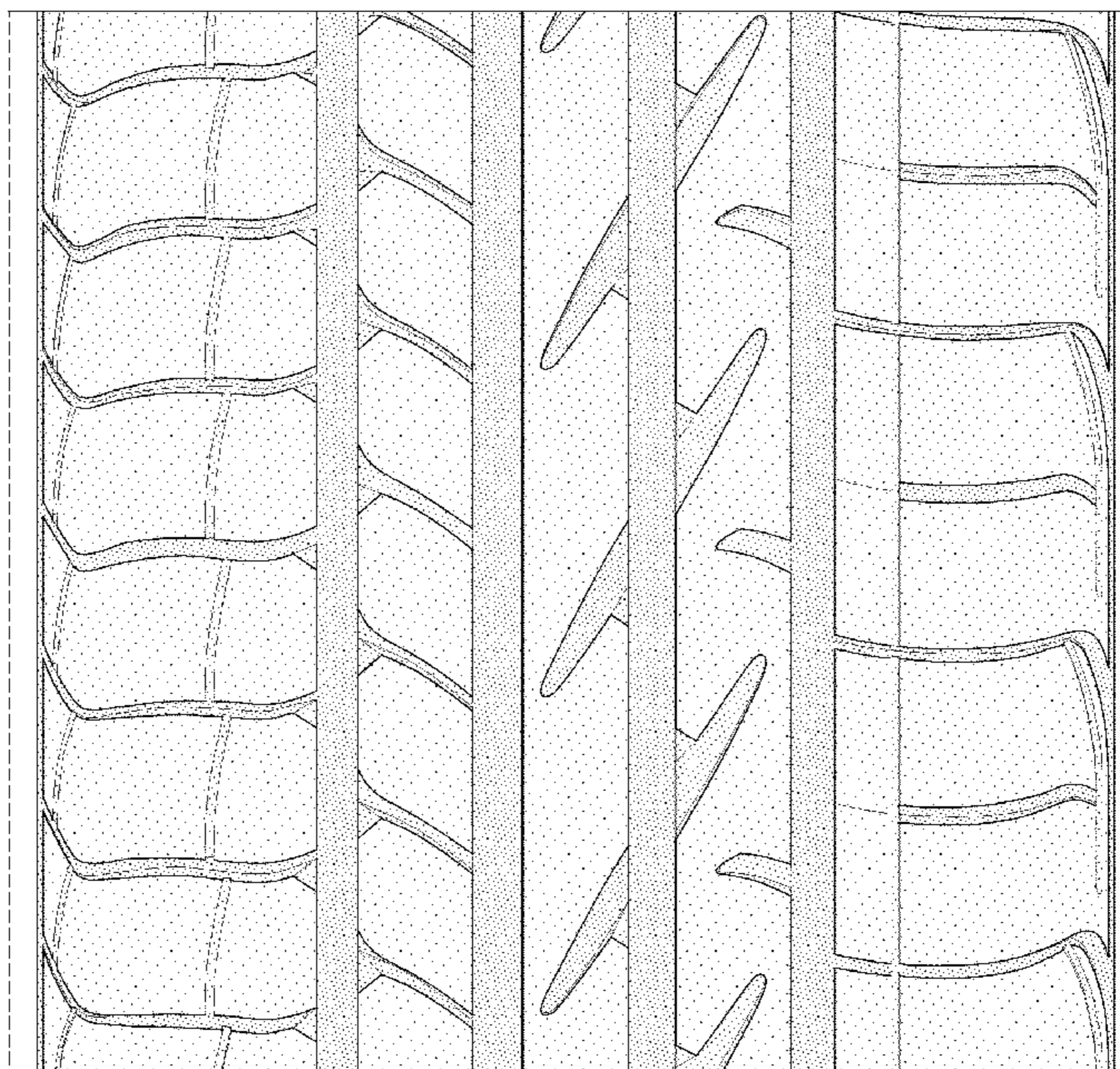
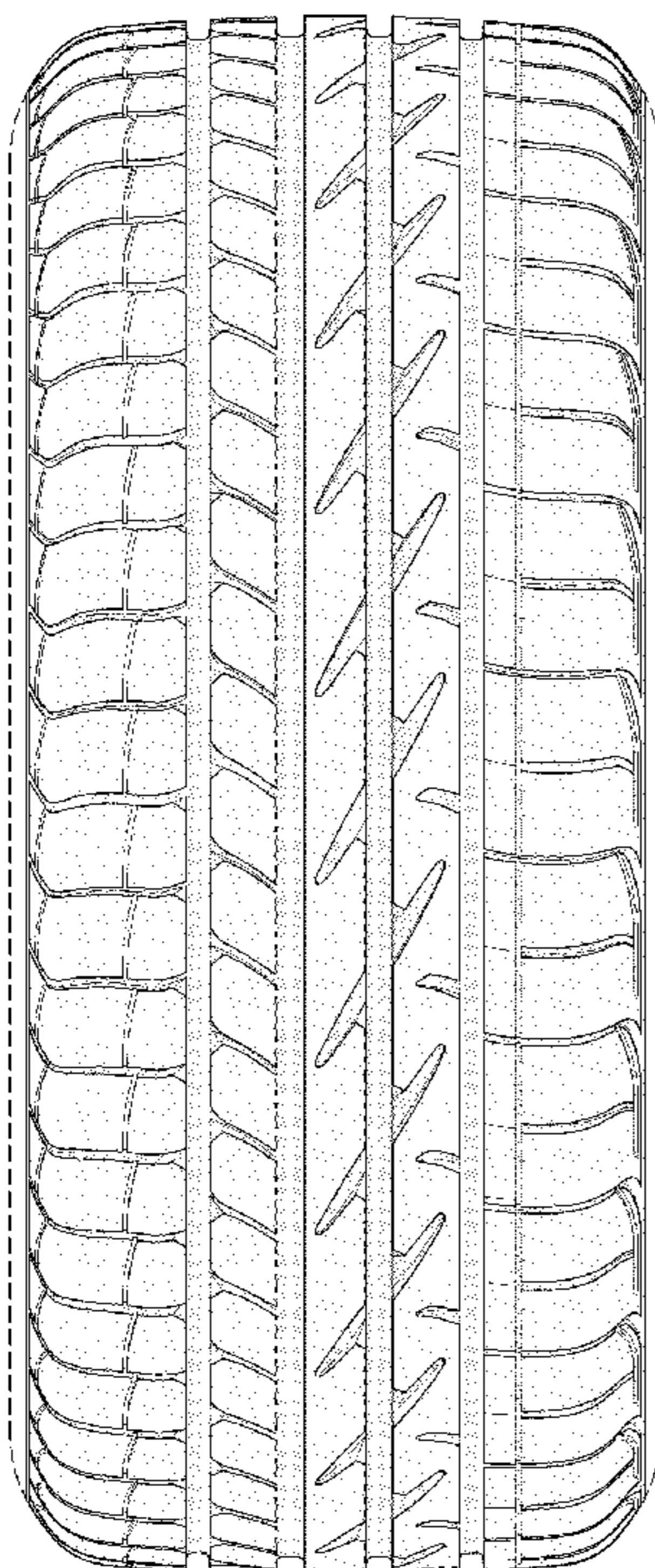




FIG-1

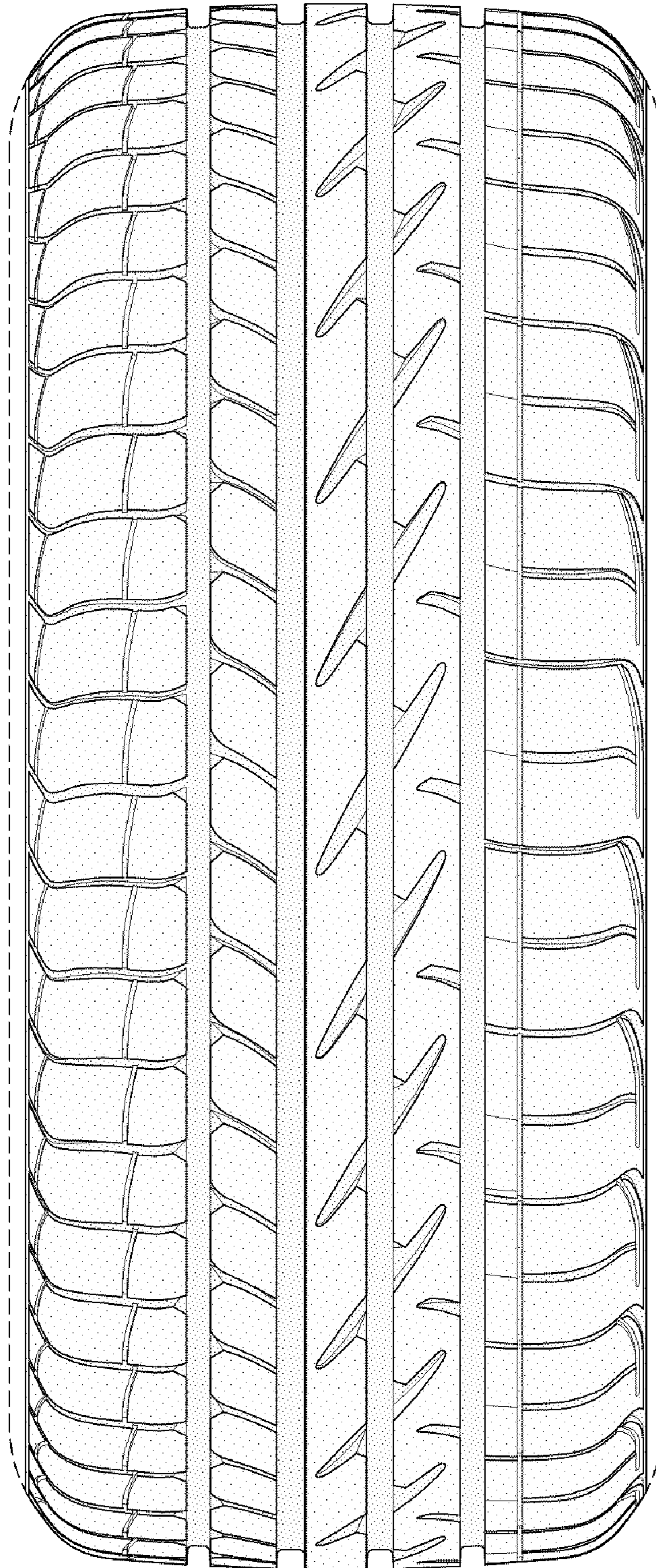


FIG-2

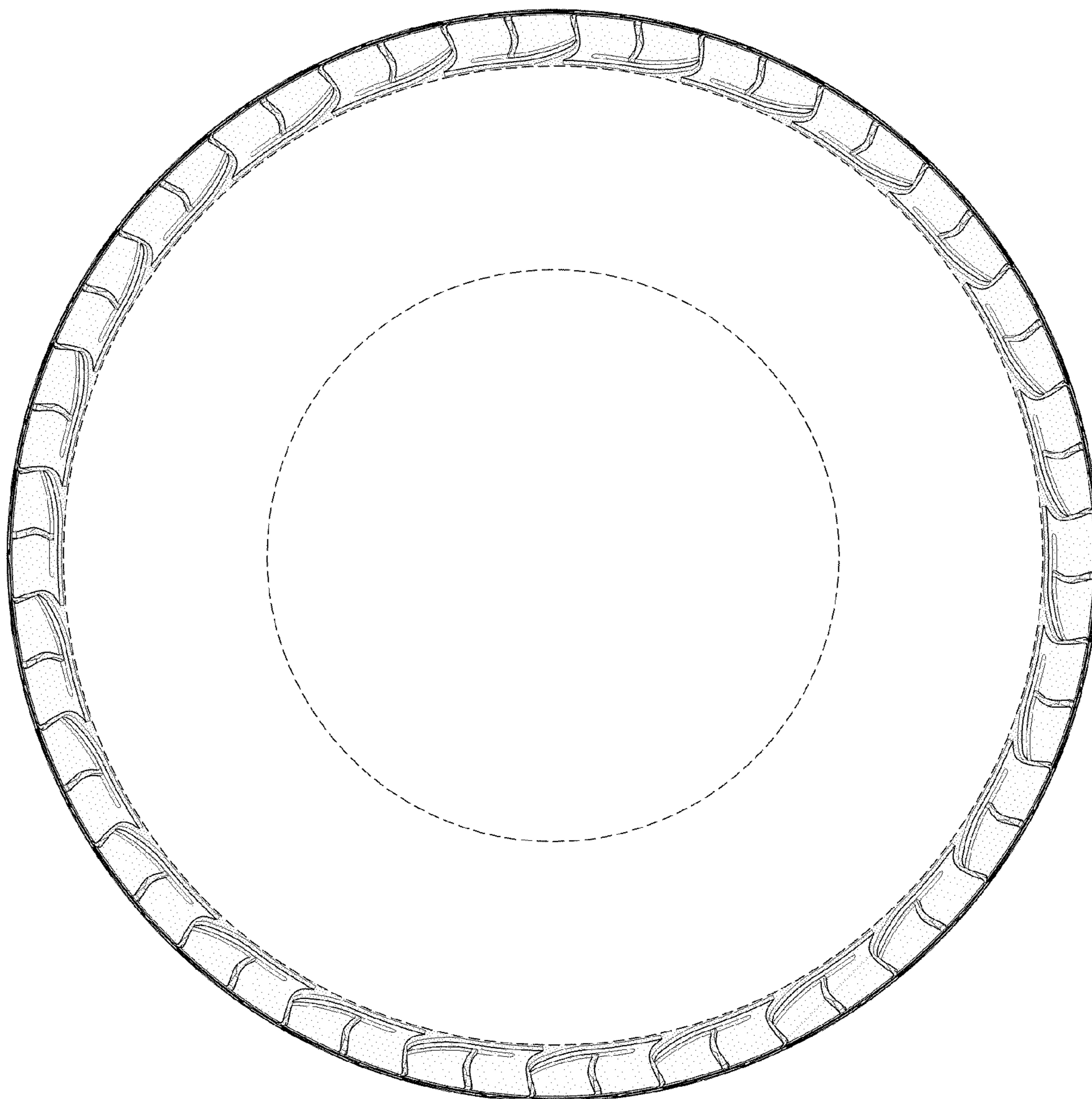


FIG-3

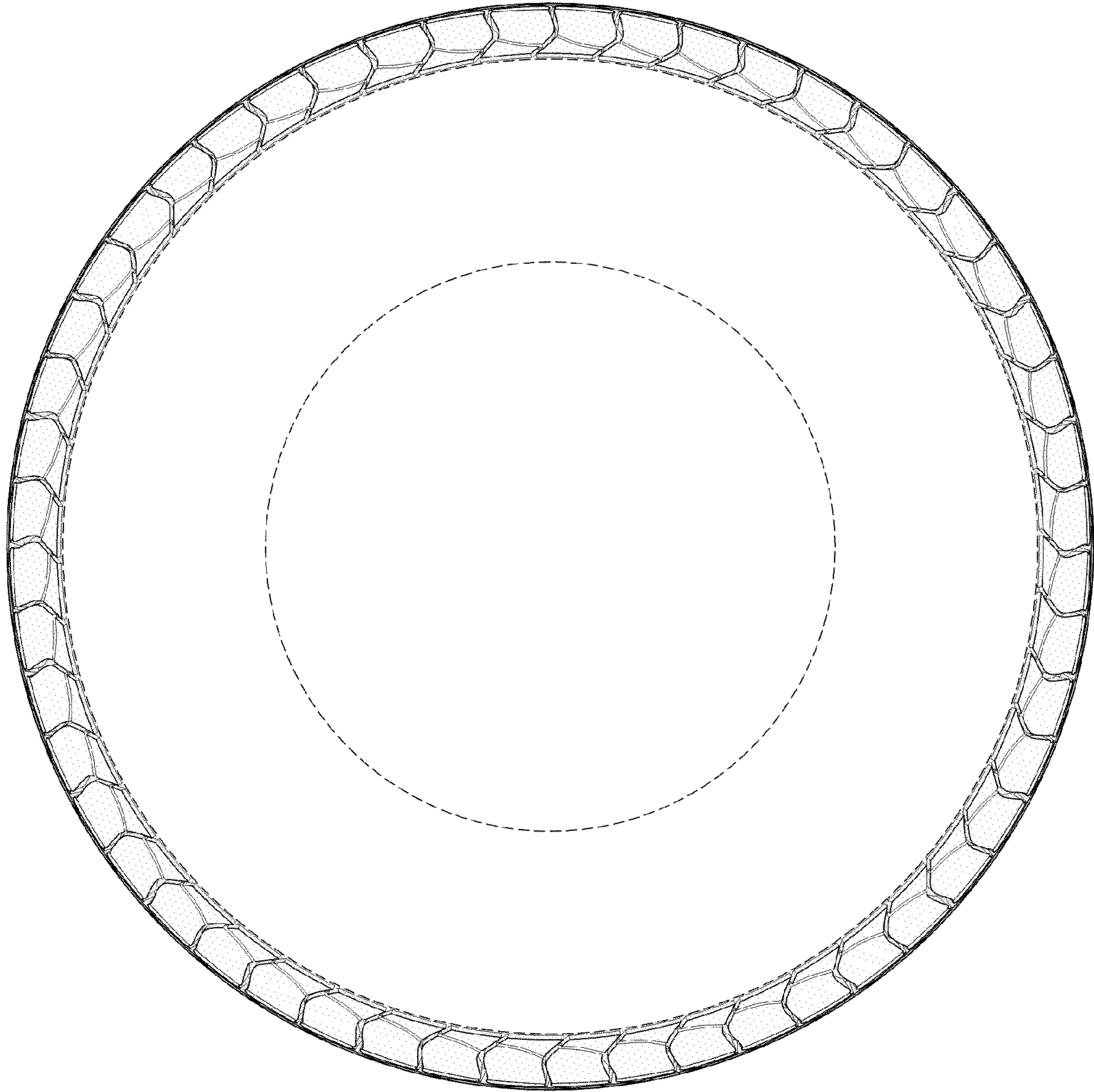


FIG-4

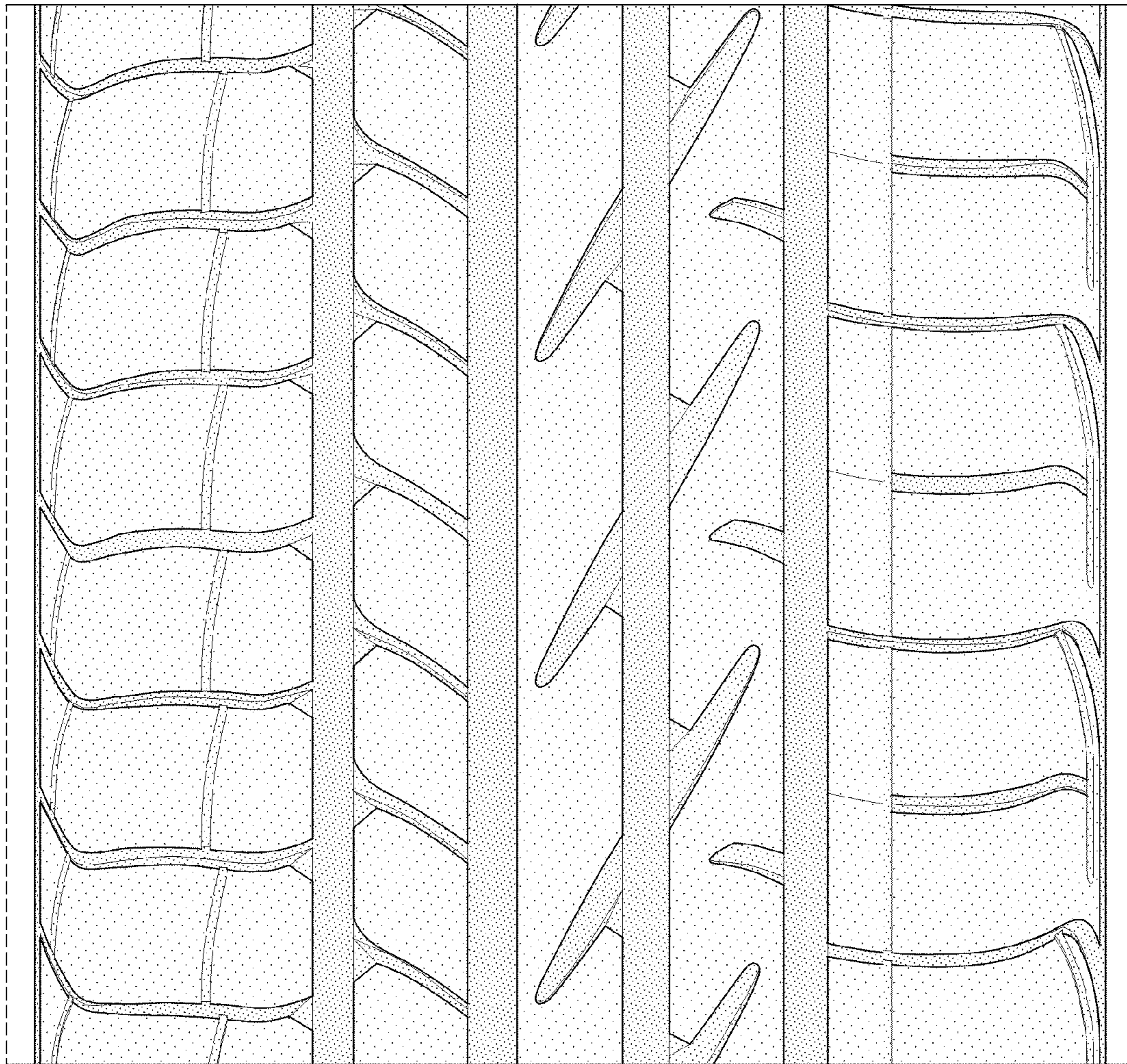


FIG-5



FIG-6

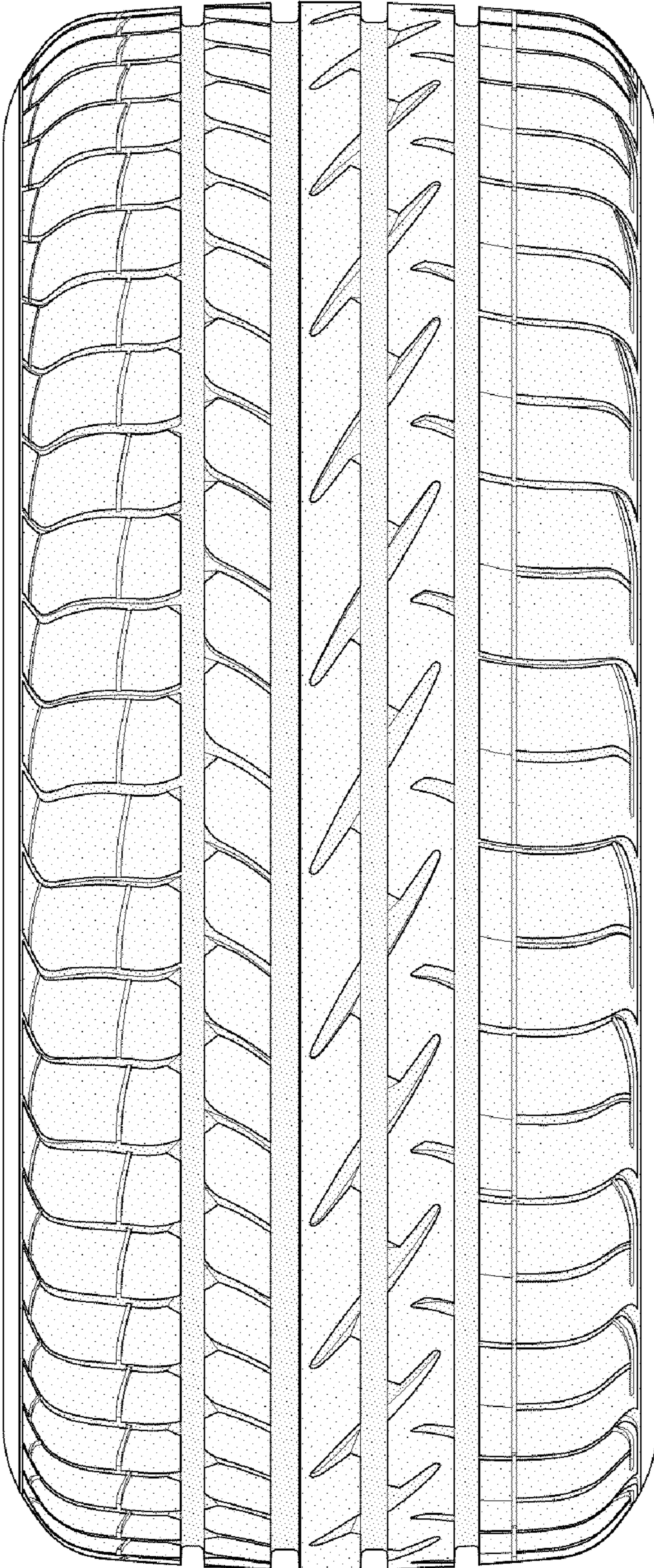


FIG-7