

US00D643797S

(12) **United States Design Patent**
Olliges

(10) **Patent No.:** **US D643,797 S**

(45) **Date of Patent:** **** *Aug. 23, 2011**

(54) **PASSENGER SLEEPER CABIN**

(75) Inventor: **Michael J. Olliges**, Edmonds, WA (US)

(73) Assignee: **The Boeing Company**, Chicago, IL (US)

(*) Notice: This patent is subject to a terminal disclaimer.

(**) Term: **14 Years**

(21) Appl. No.: **29/315,703**

(22) Filed: **Jul. 16, 2009**

(51) **LOC (9) Cl.** **12-07**

(52) **U.S. Cl.** **D12/345**

(58) **Field of Classification Search** D12/345;
244/118.5, 118.6, 120, 122 R; 5/8, 9.1, 10.1,
5/10.2, 118; 114/189, 192; 105/314-316,
105/344, 345

See application file for complete search history.

(56) **References Cited**

U.S. PATENT DOCUMENTS

6,073,883	A *	6/2000	Ohlmann et al.	244/118.5
6,464,169	B1 *	10/2002	Johnson et al.	244/118.5
7,077,360	B2 *	7/2006	Jacob	244/118.5
7,717,371	B2 *	5/2010	Schuld et al.	244/118.5

* cited by examiner

Primary Examiner — Cathron C. Brooks

Assistant Examiner — Maurice Stevens

(74) *Attorney, Agent, or Firm* — Peter D. McCowin

(57) **CLAIM**

The ornamental design for a passenger sleeper cabin, as shown and described.

DESCRIPTION

FIG. 1 is a front perspective view of a passenger sleeper cabin showing my new design, and showing the stairwells at the ends of the cabin in phantom;

FIG. 2 is a top plan view of the passenger sleeper cabin of FIG. 1;

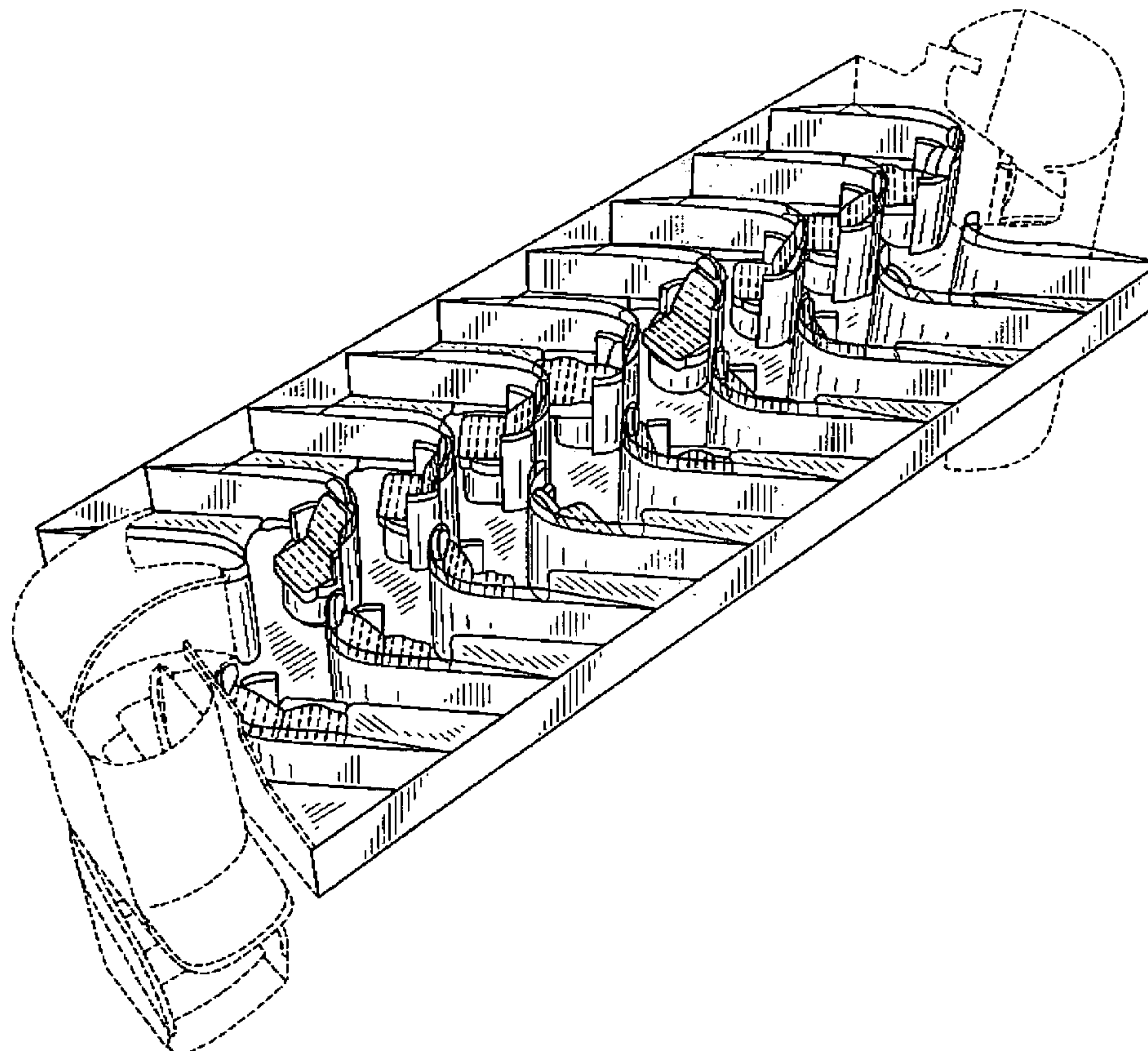
FIG. 3 is a front elevational view of the passenger sleeper cabin of FIG. 2;

FIG. 4 is a side elevational view of the passenger sleeper cabin of FIG. 3; and,

FIG. 5 is an enlarged perspective view of a portion of the passenger sleeper cabin of FIG. 1.

The broken lines represent unclaimed portions of the passenger sleeper cabin and form no part of the claimed design.

1 Claim, 5 Drawing Sheets



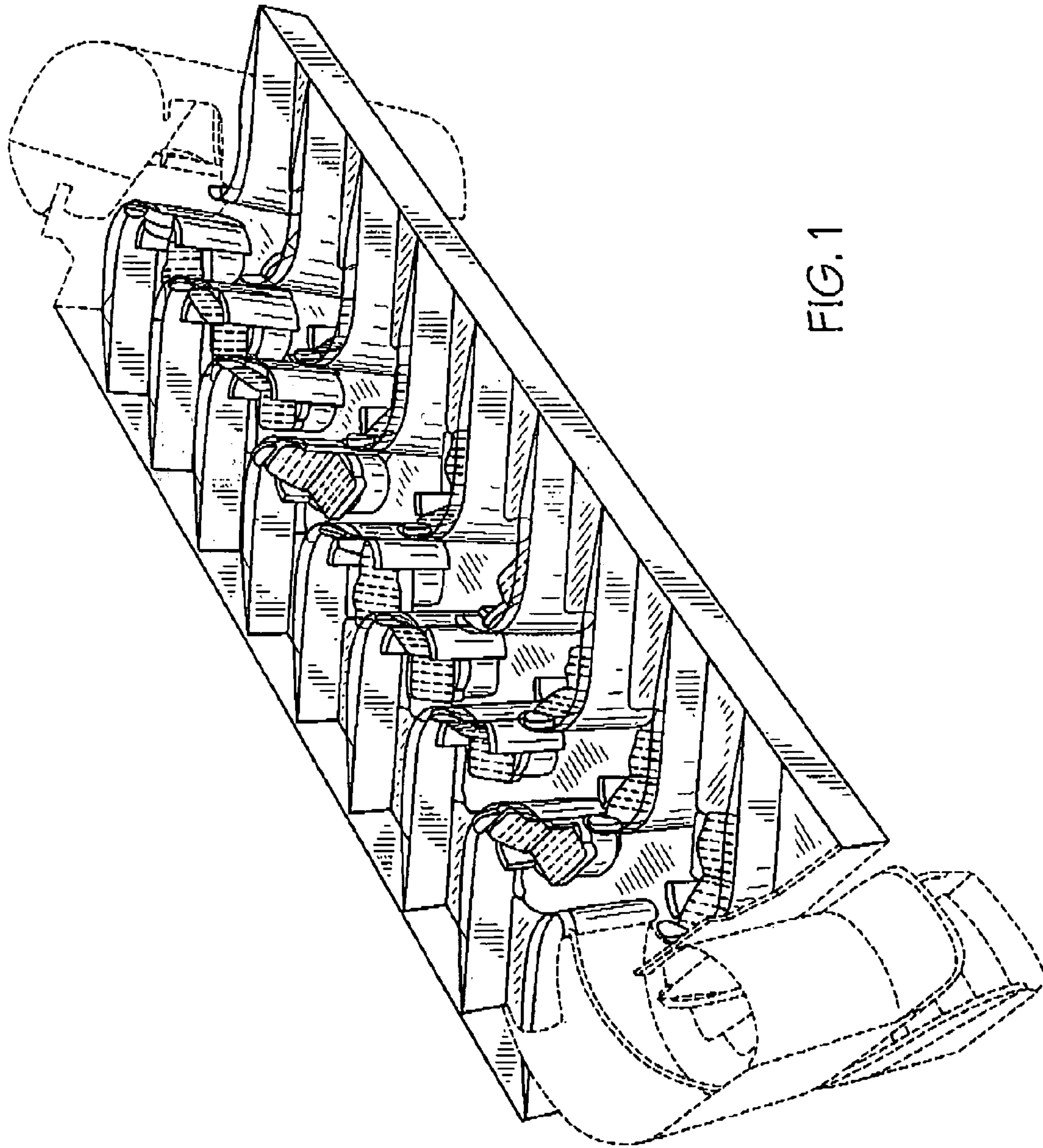


FIG. 1

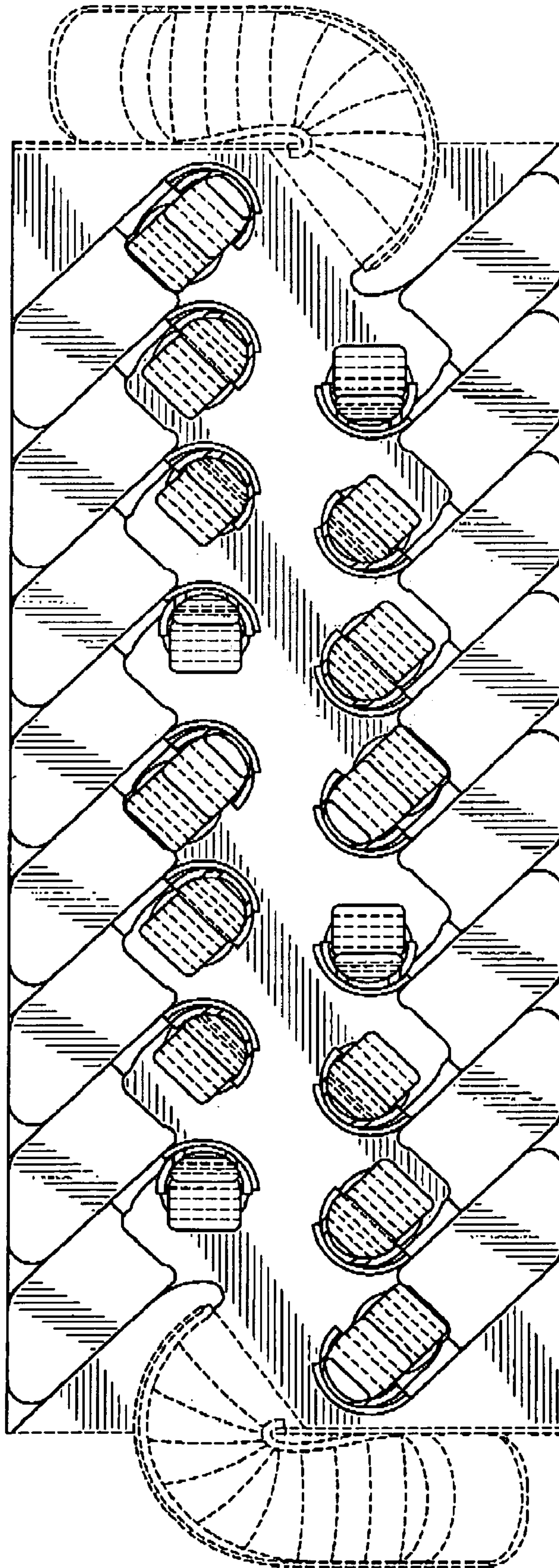


FIG. 2

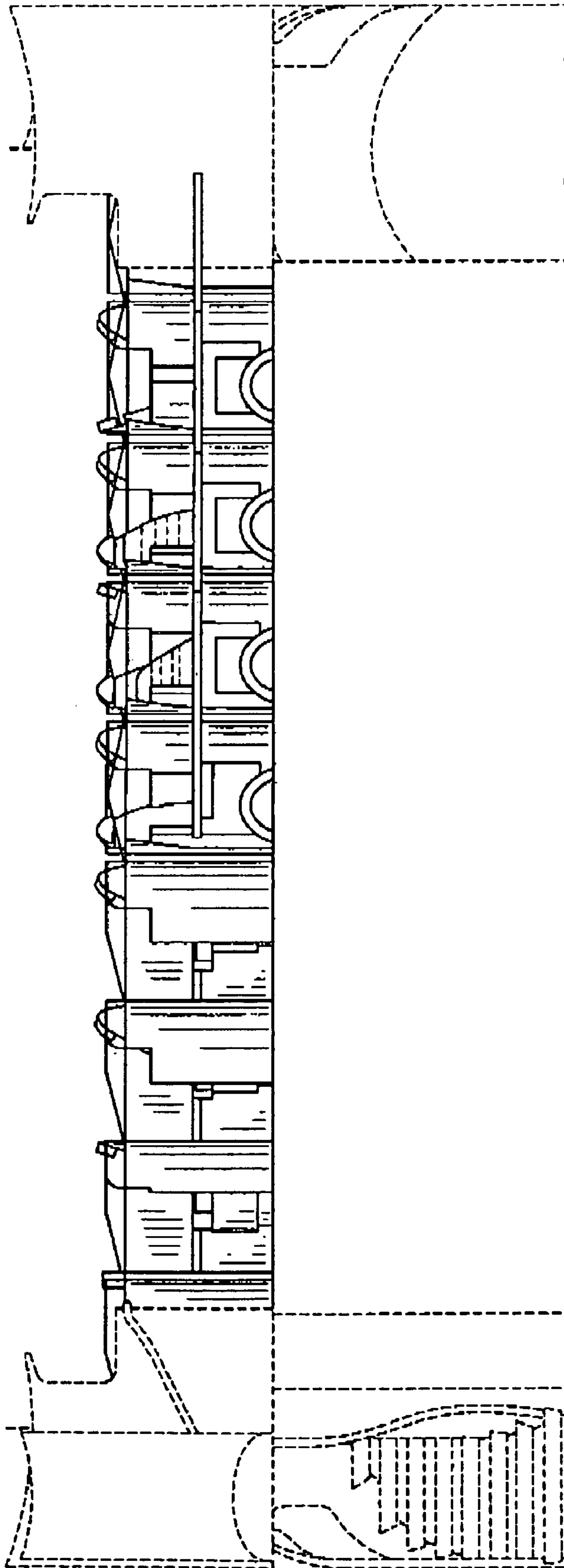


FIG. 3

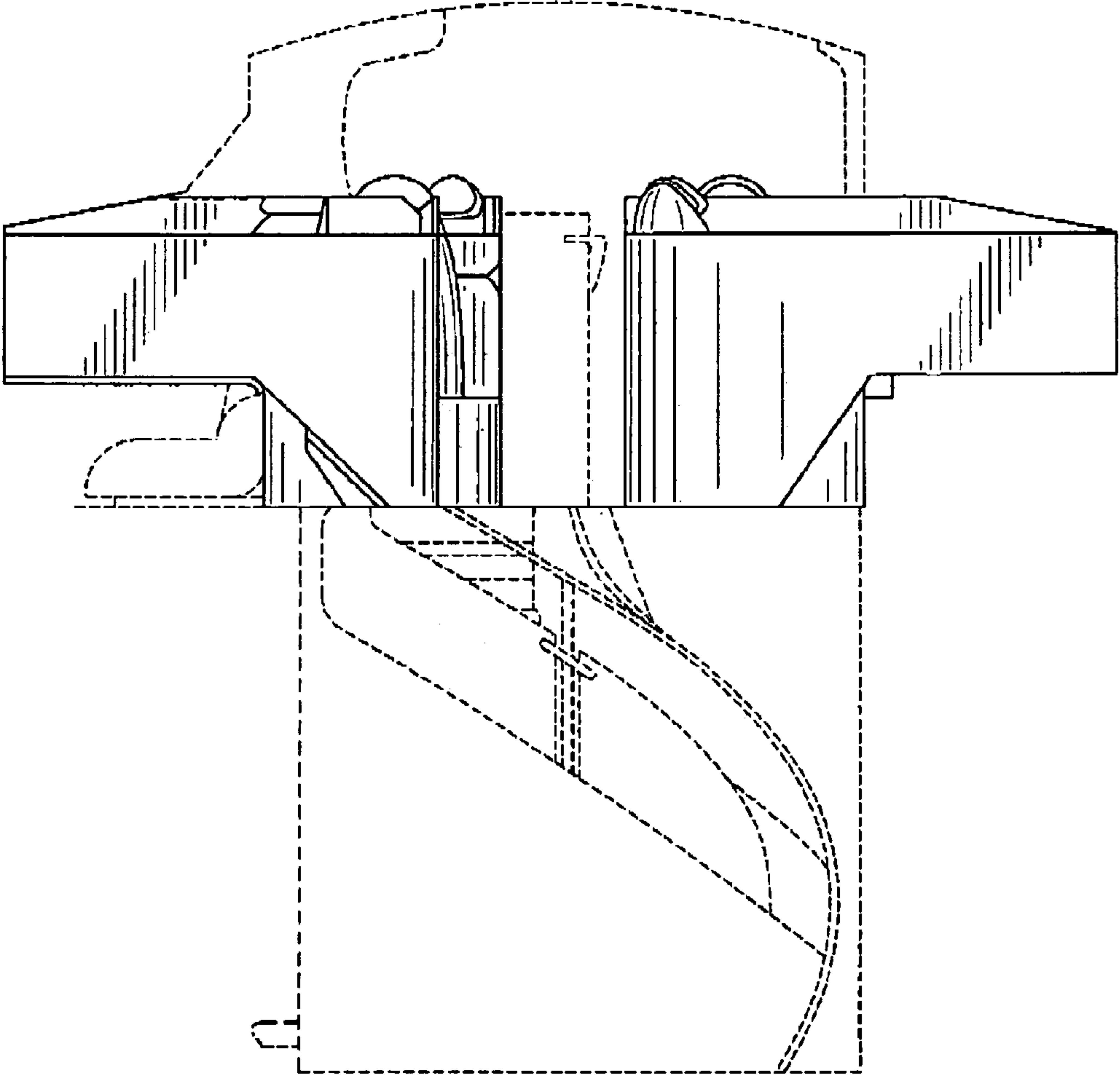


FIG. 4

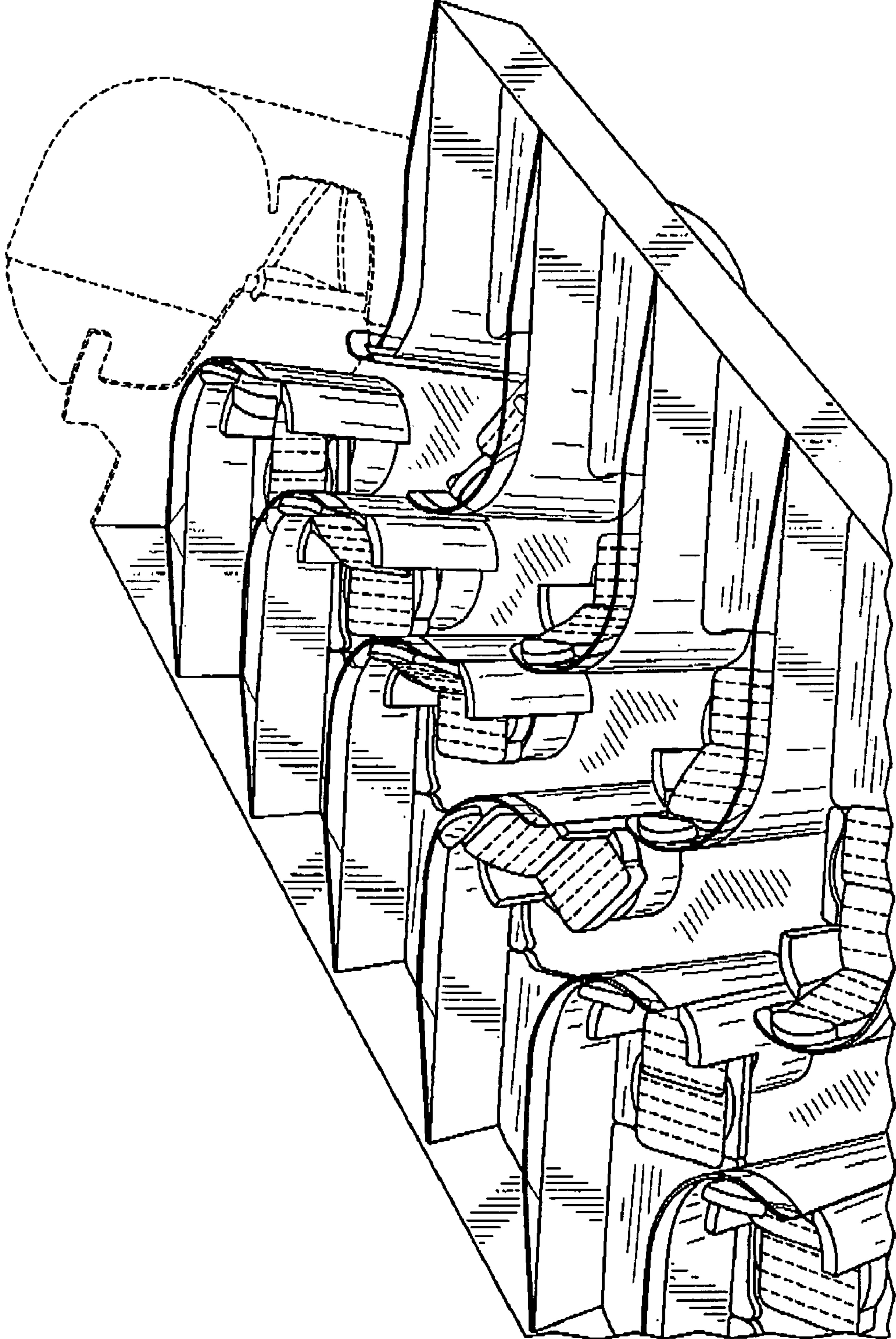


FIG. 5