



US00D643796S

(12) **United States Design Patent**
Heinemann et al.

(10) **Patent No.:** **US D643,796 S**

(45) **Date of Patent:** **** Aug. 23, 2011**

(54) **AUTOMOTIVE FLUID TANK**

(75) Inventors: **Jacob Heinemann**, Ayer, MA (US);
William Mello, Chelmsford, MA (US)

(73) Assignee: **C Max Inc.**, Still River, MA (US)

(**) Term: **14 Years**

(21) Appl. No.: **29/364,036**

(22) Filed: **Jun. 17, 2010**

(51) **LOC (9) Cl.** **12-11**

(52) **U.S. Cl.** **D12/218**

(58) **Field of Classification Search** D12/218;
D15/1, 3, 5, 15, 17, 23, 28; 220/4.14, 562-564;
123/516, 518-520, 41.01, 41.08, 41.09, 41.51-41.54;
280/833-835, 830, 124.1; 180/225, 69.4,
180/69.5, 900

See application file for complete search history.

(56) **References Cited**

U.S. PATENT DOCUMENTS

D208,539 S *	9/1967	Miller	D12/218
D219,011 S *	10/1970	Marushak	D12/218
D223,022 S *	2/1972	Yates	D12/218
D230,151 S *	1/1974	Morris	D12/218
D282,921 S *	3/1986	Eureka et al.	D12/218
D293,704 S *	1/1988	Hart et al.	D23/202
5,456,218 A *	10/1995	Theorell	123/41.54
7,631,619 B2 *	12/2009	Bangert et al.	123/41.54

* cited by examiner

Primary Examiner — Susan M Lee

Assistant Examiner — Linda Brooks

(74) *Attorney, Agent, or Firm* — Jodi-Ann McLane

(57) **CLAIM**

The ornamental design for an automotive fluid tank, as shown and described.

DESCRIPTION

FIG. 1 is a perspective view of an automotive fluid tank showing our new design;

FIG. 2 is a top plan view of the automotive fluid tank of FIG. 1;

FIG. 3 is a bottom plan view of the automotive fluid tank of FIG. 1;

FIG. 4 is a right side elevational view of the automotive fluid tank of FIG. 1;

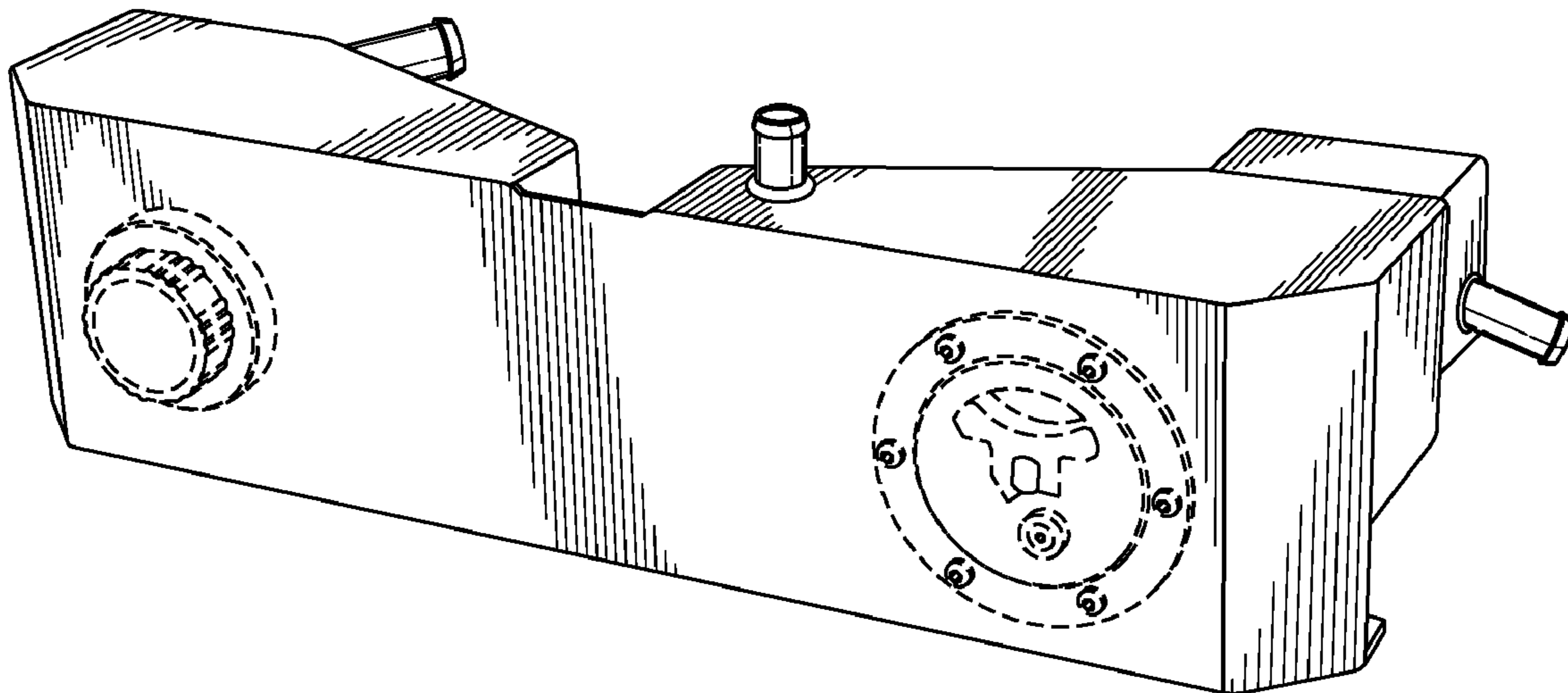
FIG. 5 is a left side elevational view of the automotive fluid tank of FIG. 1;

FIG. 6 is a front elevational view of the automotive fluid tank of FIG. 1; and,

FIG. 7 is a rear elevational view of the automotive fluid tank of FIG. 1.

The portions shown in broken lines are included for illustrative purposes only and form no part of the claimed design.

1 Claim, 3 Drawing Sheets



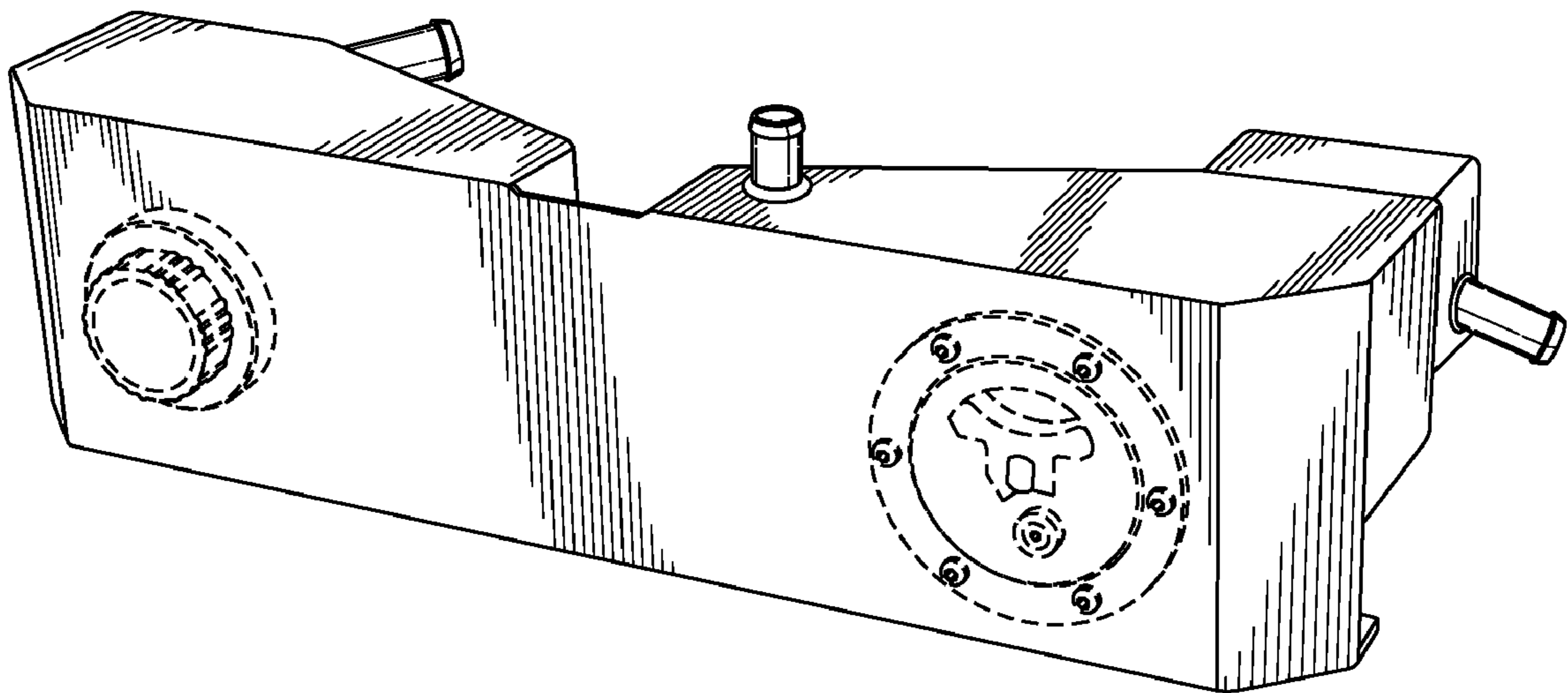


FIG. 1

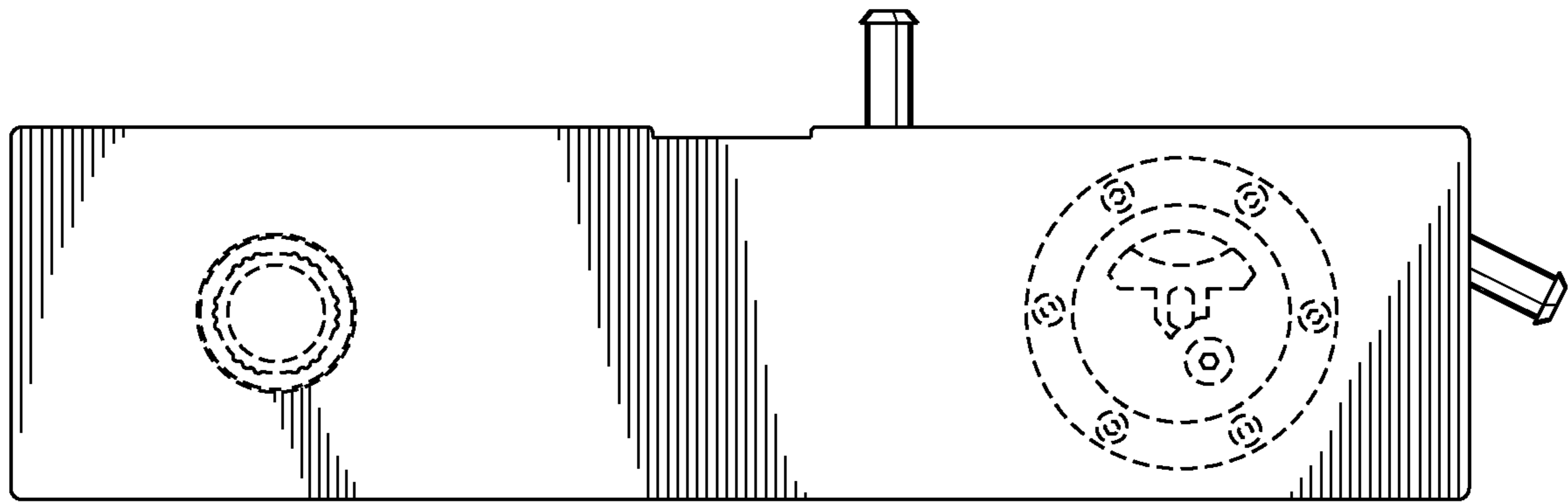


FIG. 2

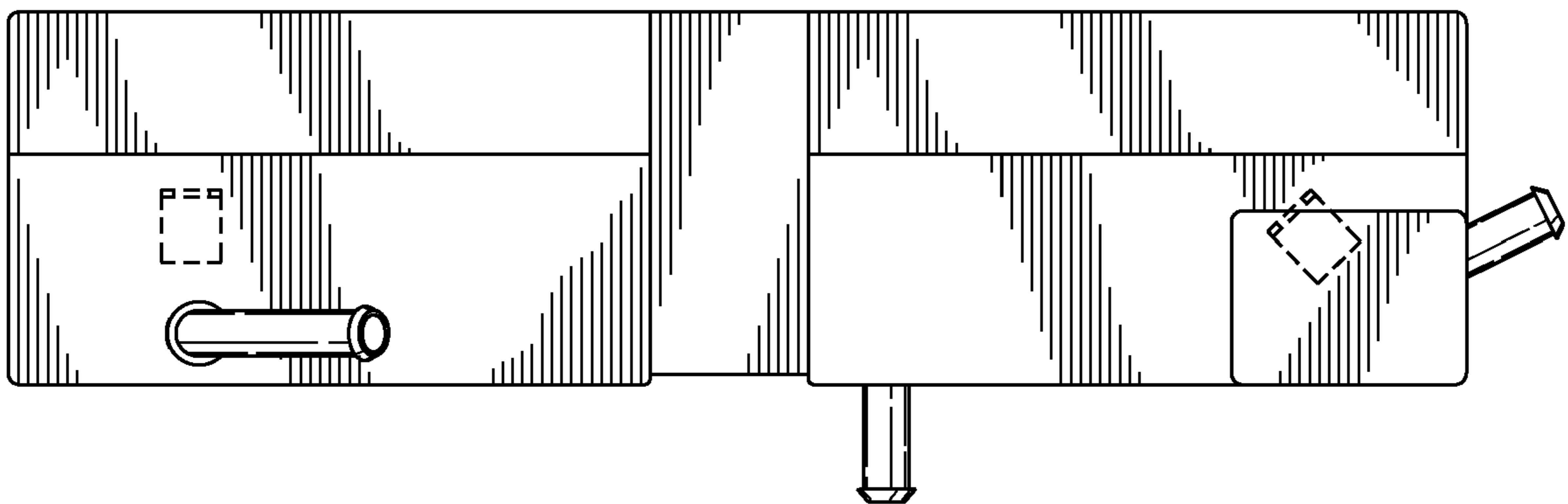


FIG. 3

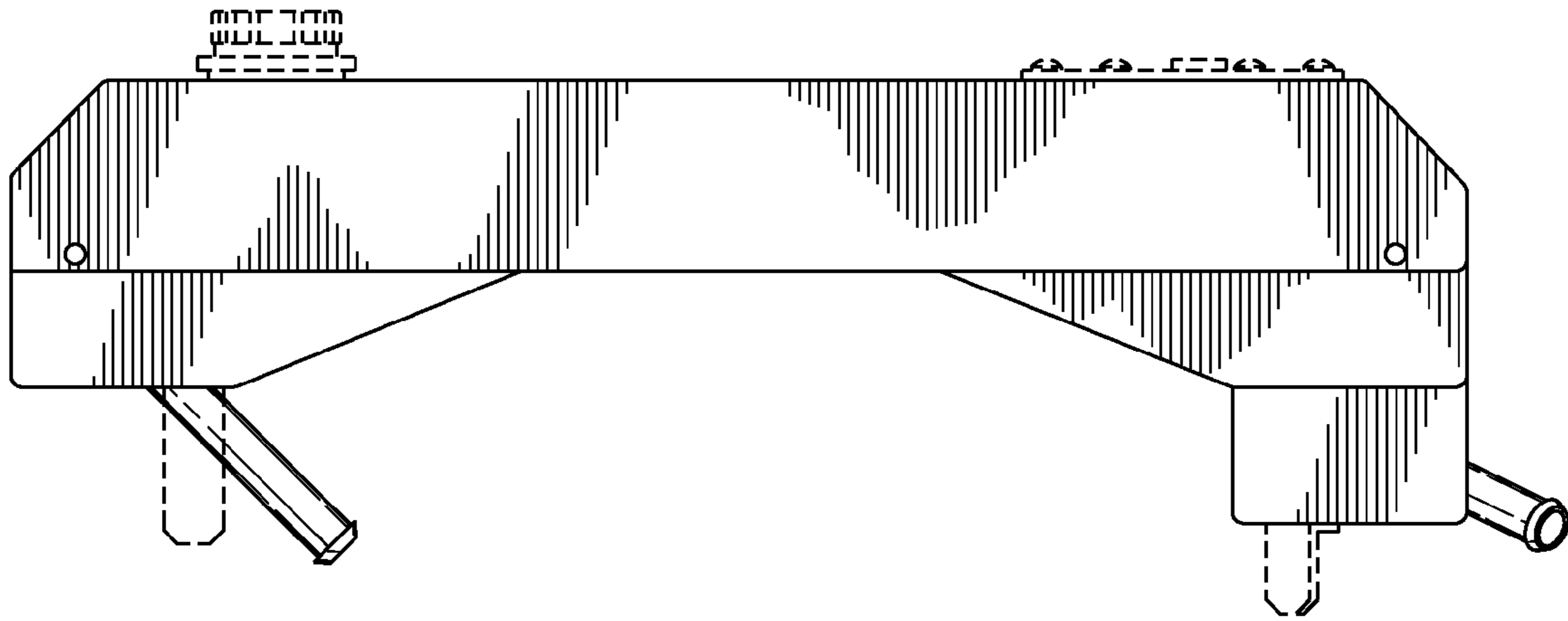


FIG. 4

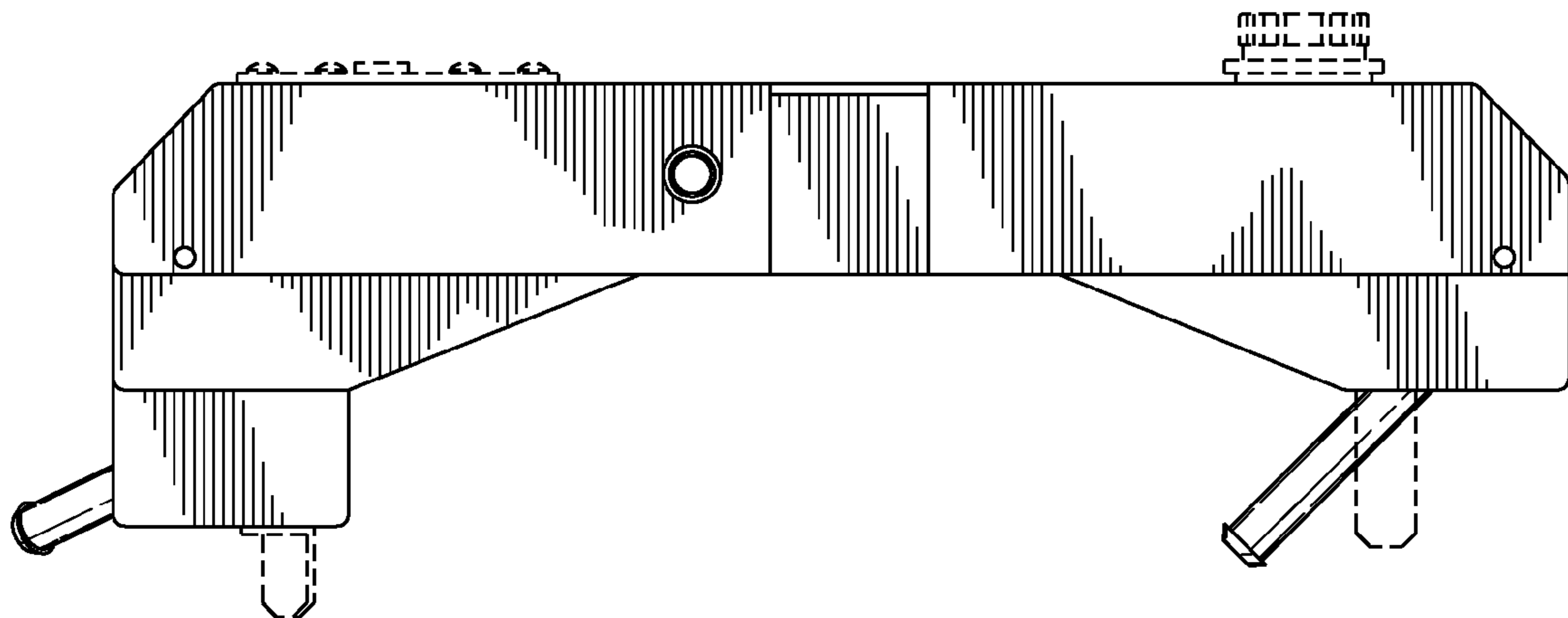


FIG. 5

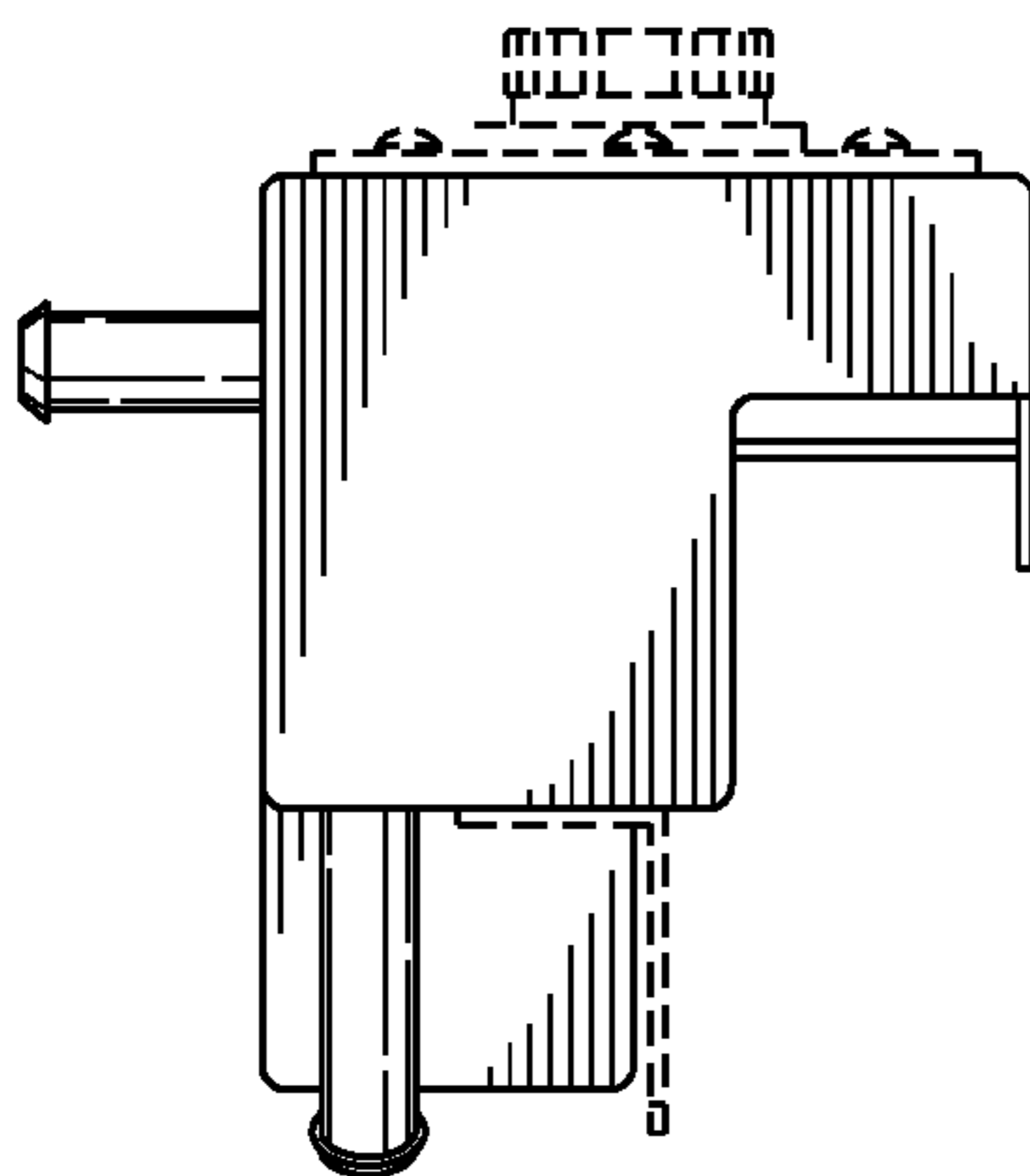


FIG. 6

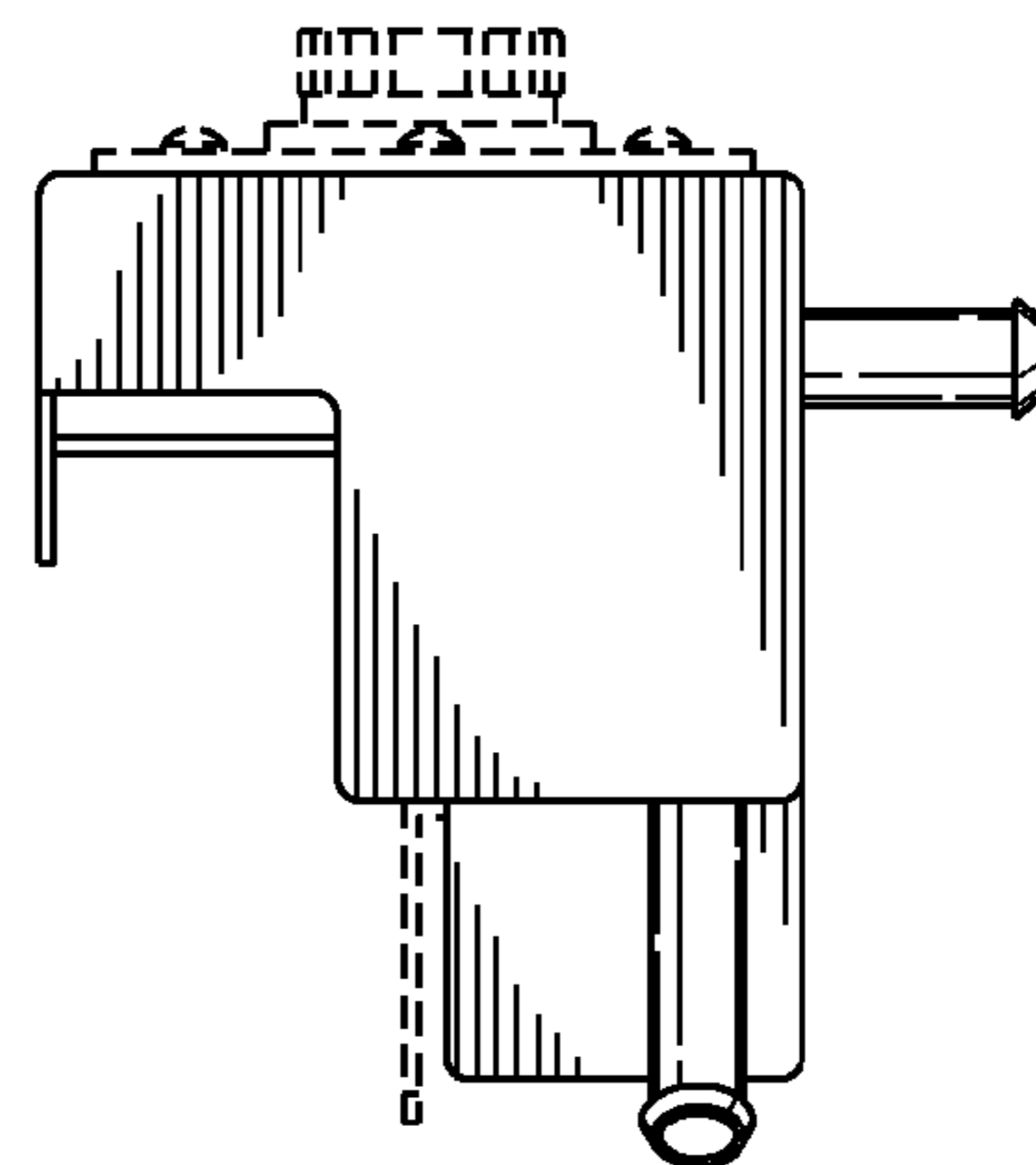


FIG. 7