



US00D643795S

(12) **United States Design Patent**
Nissl

(10) **Patent No.:** **US D643,795 S**

(45) **Date of Patent:** **** Aug. 23, 2011**

(54) **WHEEL OR WHEEL COVER**

(75) **Inventor:** **Florian Dieter Nissl, Munich (DE)**

(73) **Assignee:** **Bayerische Motoren Werke
Aktiengesellschaft, Munich (DE)**

(**) **Term:** **14 Years**

(21) **Appl. No.:** **29/371,360**

(22) **Filed:** **Jan. 14, 2011**

(30) **Foreign Application Priority Data**

Jul. 16, 2010 (DE) 40 2010 003 916

(51) **LOC (9) Cl.** **12-16**

(52) **U.S. Cl.** **D12/211**

(58) **Field of Classification Search** D12/204-213;
301/37.101, 64.101, 65, 64.201

See application file for complete search history.

(56) **References Cited**

U.S. PATENT DOCUMENTS

D392,611 S *	3/1998	Echazabal et al.	D12/211
D402,951 S	12/1998	Wechner	
D456,333 S	4/2002	Pollmann	
D466,854 S *	12/2002	Kern	D12/211
D474,139 S	5/2003	Warming	
D475,337 S *	6/2003	Kataoka	D12/209
D494,917 S *	8/2004	Pollmann	D12/211
D499,371 S *	12/2004	Koch	D12/211
D513,727 S *	1/2006	Gallert	D12/211
D535,241 S *	1/2007	Kim	D12/211
D565,490 S *	4/2008	Tirado	D12/209

D566,642 S *	4/2008	Scheu	D12/211
D568,800 S *	5/2008	Huet	D12/211
D583,739 S *	12/2008	Gallert	D12/209
D593,019 S *	5/2009	Tirado	D12/209
D617,716 S *	6/2010	Lamm et al.	D12/211
D620,870 S	8/2010	Powell	

FOREIGN PATENT DOCUMENTS

DE	M9704929.8	11/1997
DE	40010998.0	3/2001
DE	40106965.6	1/2002
EM	001636978-0018	11/2010
EM	001754953-0004	1/2011

* cited by examiner

Primary Examiner — Stacia Cadmus

(74) *Attorney, Agent, or Firm* — Crowell & Moring LLP

(57) **CLAIM**

The ornamental design for a wheel or wheel cover, as shown and described.

DESCRIPTION

This application contains subject matter related to the following co-pending U.S. design patent application:

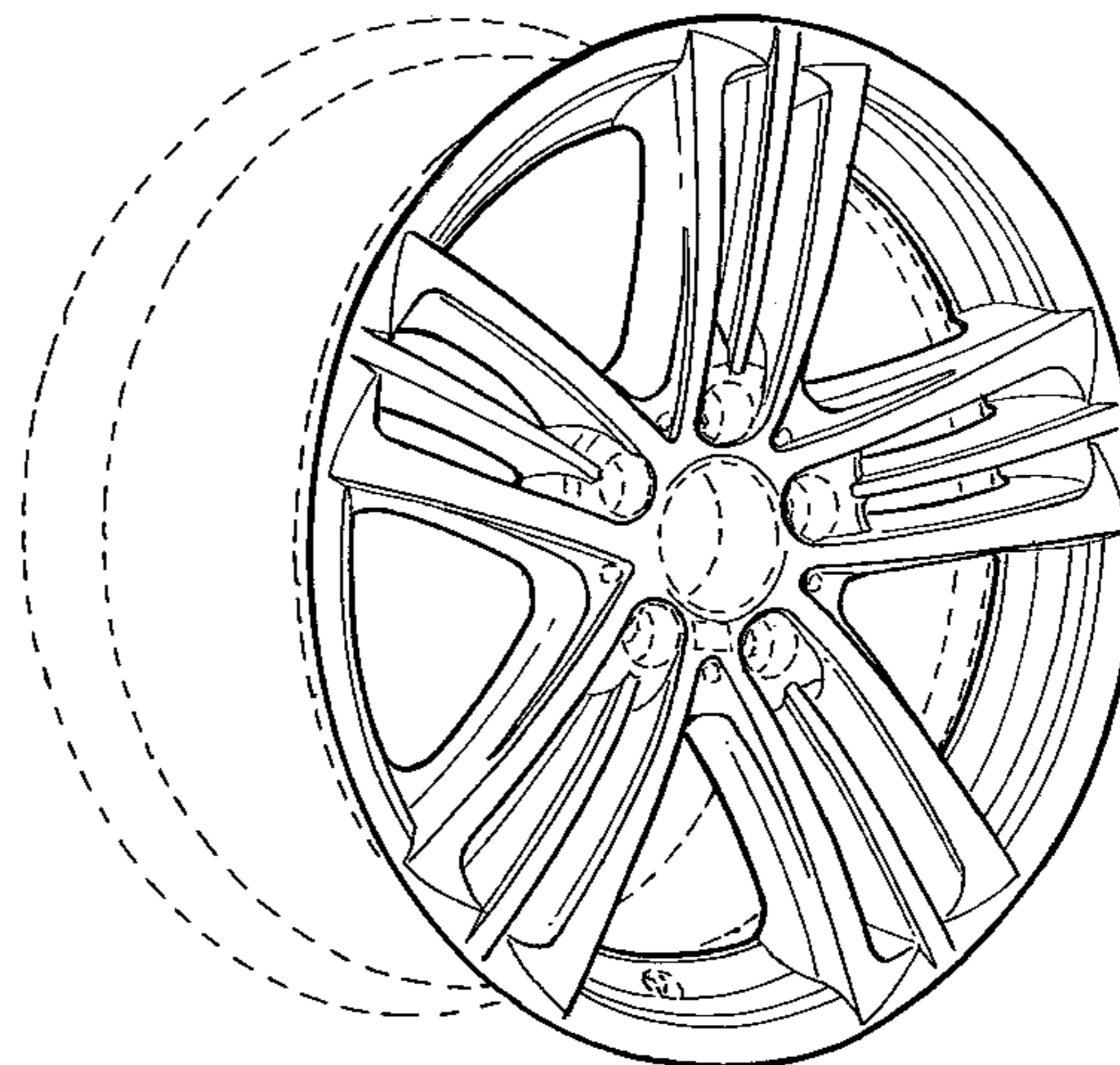
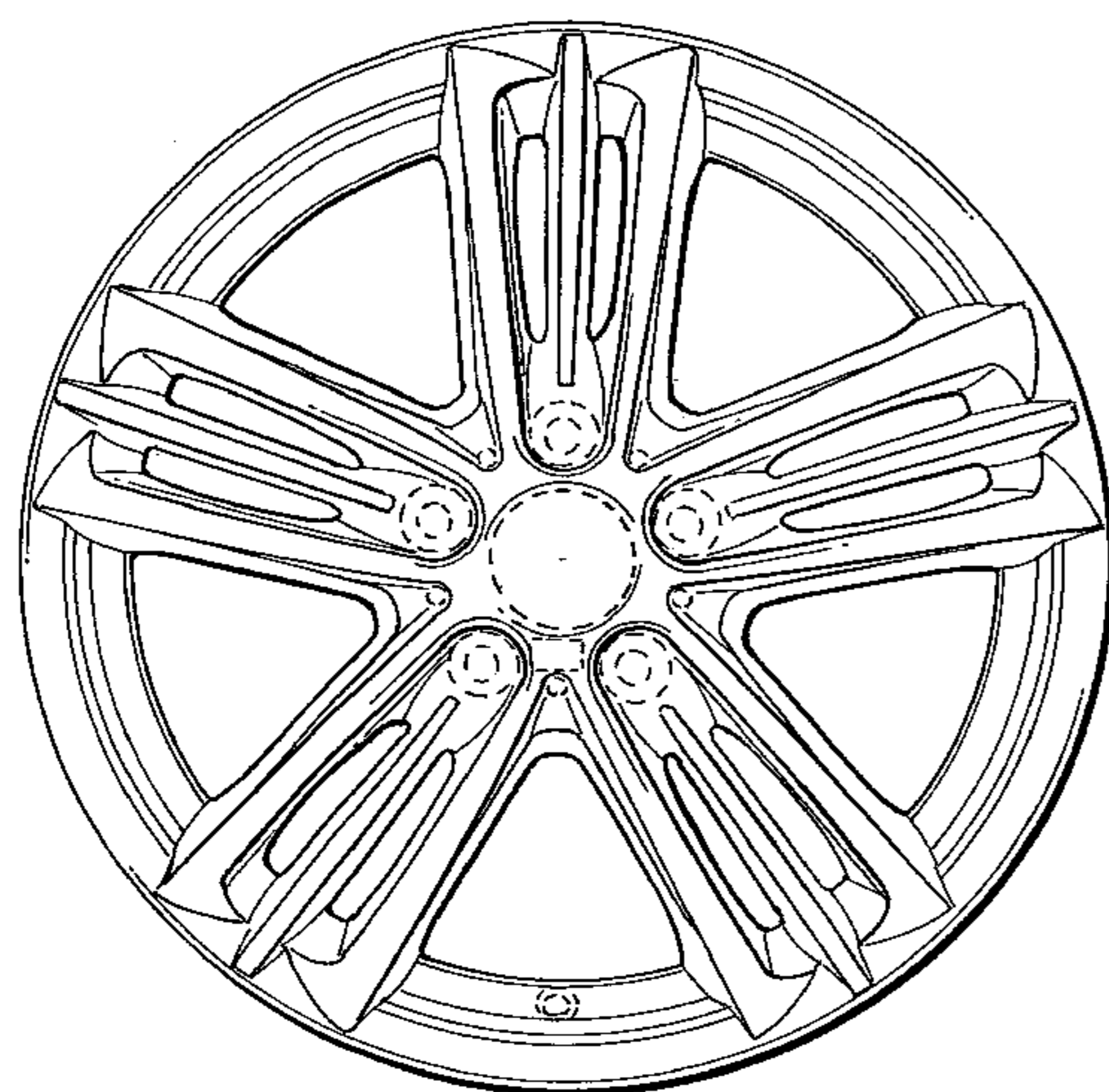
Application Ser. No. 29/375,312, filed Sep. 21, 2010 and entitled "Wheel or Wheel Cover."

FIG. 1 is a front view of a wheel or wheel cover according to my design; and,

FIG. 2 is a perspective view thereof.

The broken line showing of the rear of the wheel, the valve stem hole, the bolt holes and the center hole in the central hub area is included for the purpose of illustrating environment and forms no part of the claimed design.

1 Claim, 1 Drawing Sheet



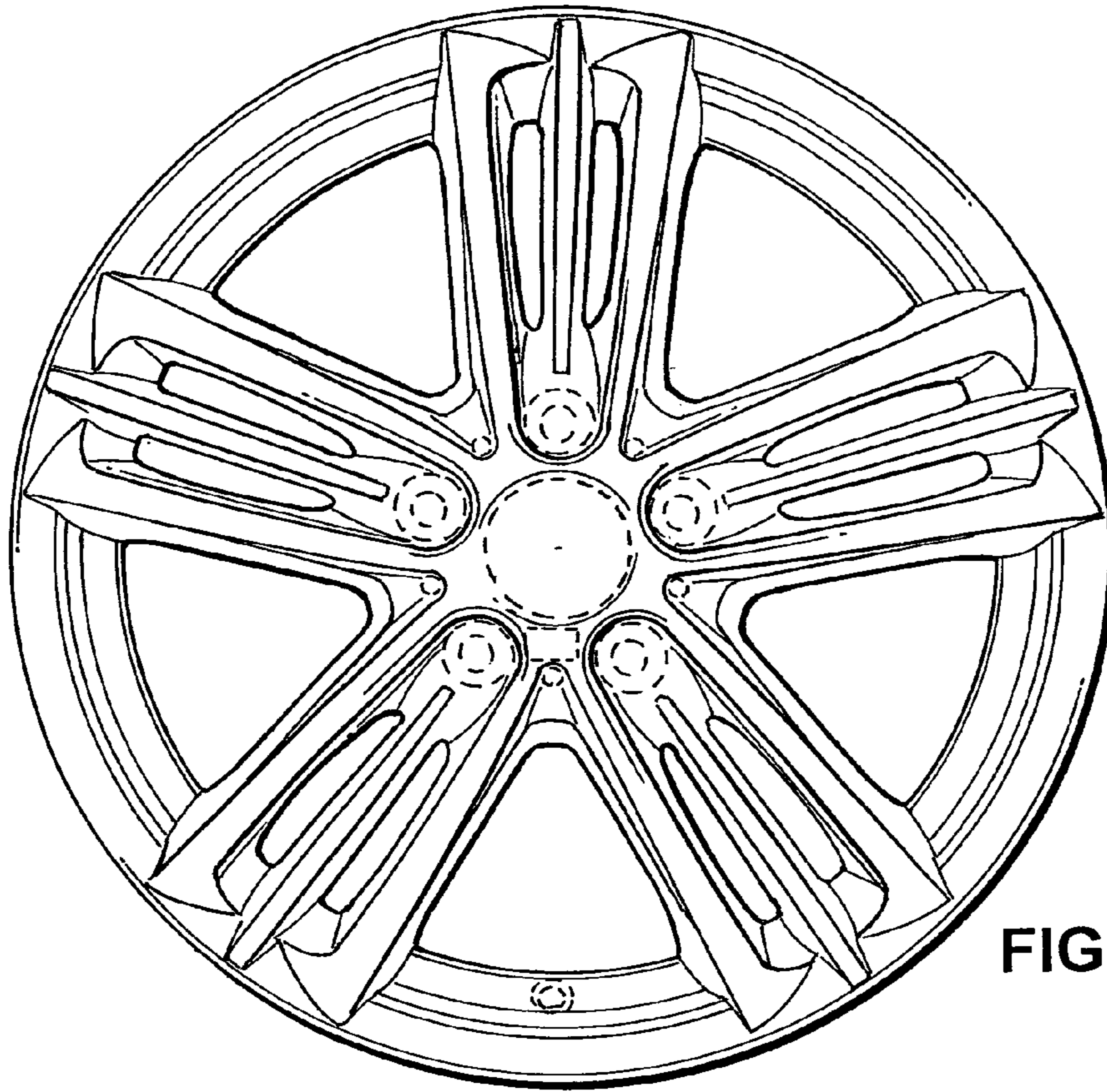


FIG. 1

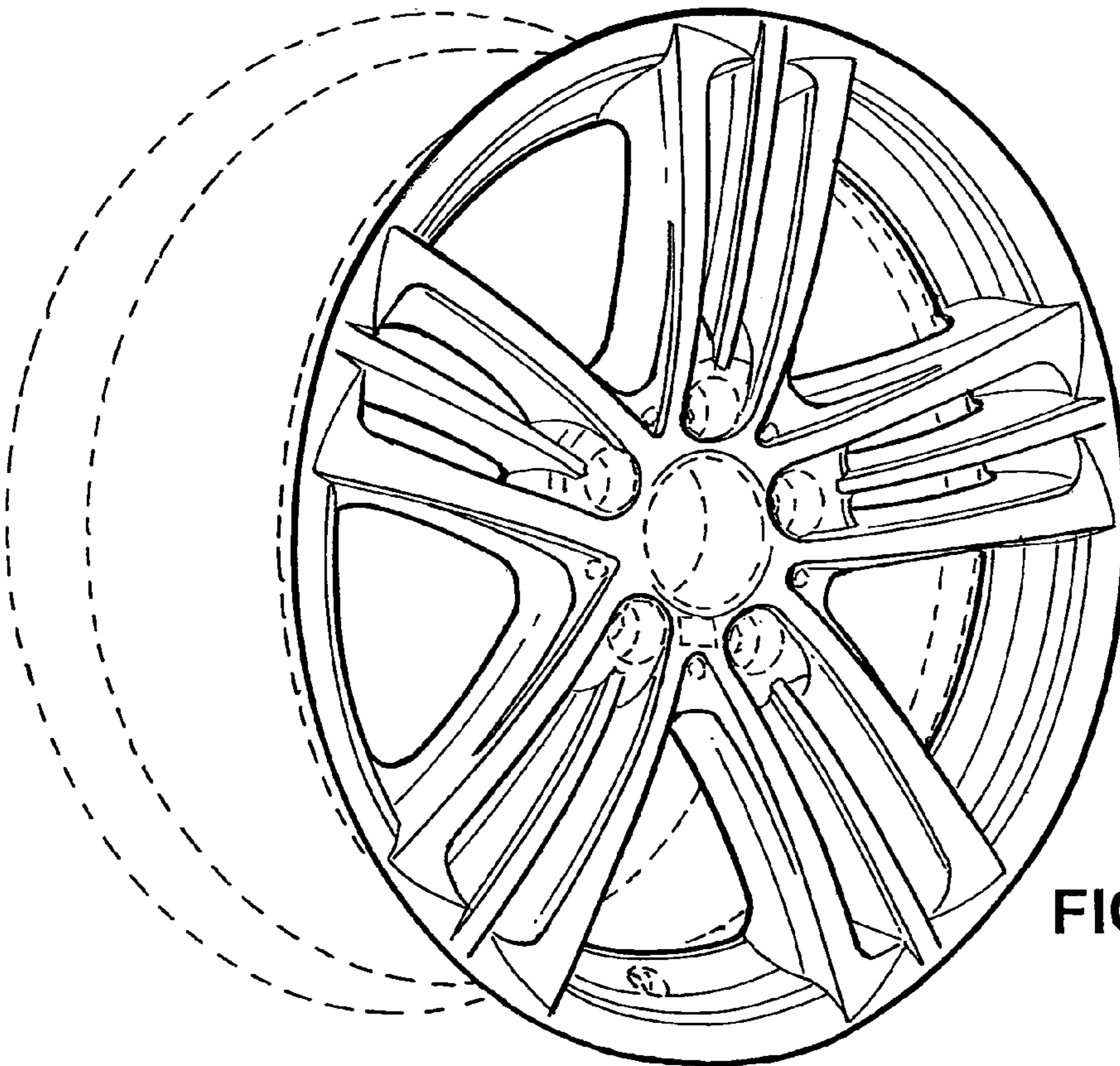


FIG. 2