



US00D643794S

(12) **United States Design Patent**
Elmitt

(10) **Patent No.:** **US D643,794 S**

(45) **Date of Patent:** **** Aug. 23, 2011**

(54) **WHEEL OR WHEEL COVER**

(75) Inventor: **Karl-Johann Elmitt**, Eching (DE)

(73) Assignee: **Bayerische Motoren Werke Aktiengesellschaft**, Munich (DE)

(**) Term: **14 Years**

(21) Appl. No.: **29/371,357**

(22) Filed: **Jan. 14, 2011**

(30) **Foreign Application Priority Data**

Jul. 16, 2010 (DE) 40 2010 003 916

(51) **LOC (9) Cl.** **12-16**

(52) **U.S. Cl.** **D12/211**

(58) **Field of Classification Search** D12/204-213;
301/37.101, 64.101, 65, 64.201
See application file for complete search history.

(56) **References Cited**

U.S. PATENT DOCUMENTS

D350,932 S *	9/1994	Echazabel et al.	D12/211
D428,379 S *	7/2000	Donikoglu	D12/211
D480,035 S	9/2003	Frohlich	
D500,726 S *	1/2005	Hettler	D12/211
D516,989 S *	3/2006	Baum	D12/211
D516,990 S *	3/2006	Schweizer	D12/211
D525,932 S *	8/2006	Hettler	D12/211
D548,162 S *	8/2007	Baum	D12/211
D548,166 S *	8/2007	Young	D12/211
D558,117 S *	12/2007	Baum	D12/211
D573,083 S *	7/2008	Hetrick	D12/211
D584,210 S *	1/2009	Baum	D12/211
D591,661 S *	5/2009	Baum	D12/209

D593,017 S *	5/2009	Antoniadis et al.	D12/209
D617,709 S *	6/2010	Borkert	D12/209
D620,418 S *	7/2010	Borkert	D12/209
D620,874 S *	8/2010	Zhao	D12/211
D621,319 S	8/2010	Nissl	
D621,771 S	8/2010	Truebsbach	
D622,201 S *	8/2010	Zhao	D12/211
D622,202 S *	8/2010	Zhao	D12/211
D625,245 S *	10/2010	Hans et al.	D12/211

FOREIGN PATENT DOCUMENTS

DE	40010998.0	3/2001
EM	001754979-0001	9/2010
EM	001655861-0002	10/2010
EM	001655861-0003	10/2010

* cited by examiner

Primary Examiner — Stacia Cadmus

(74) *Attorney, Agent, or Firm* — Crowell & Moring LLP

(57) **CLAIM**

The ornamental design for a wheel or wheel cover, as shown and described.

DESCRIPTION

This application contains subject matter related to the following co-pending U.S. design patent application:

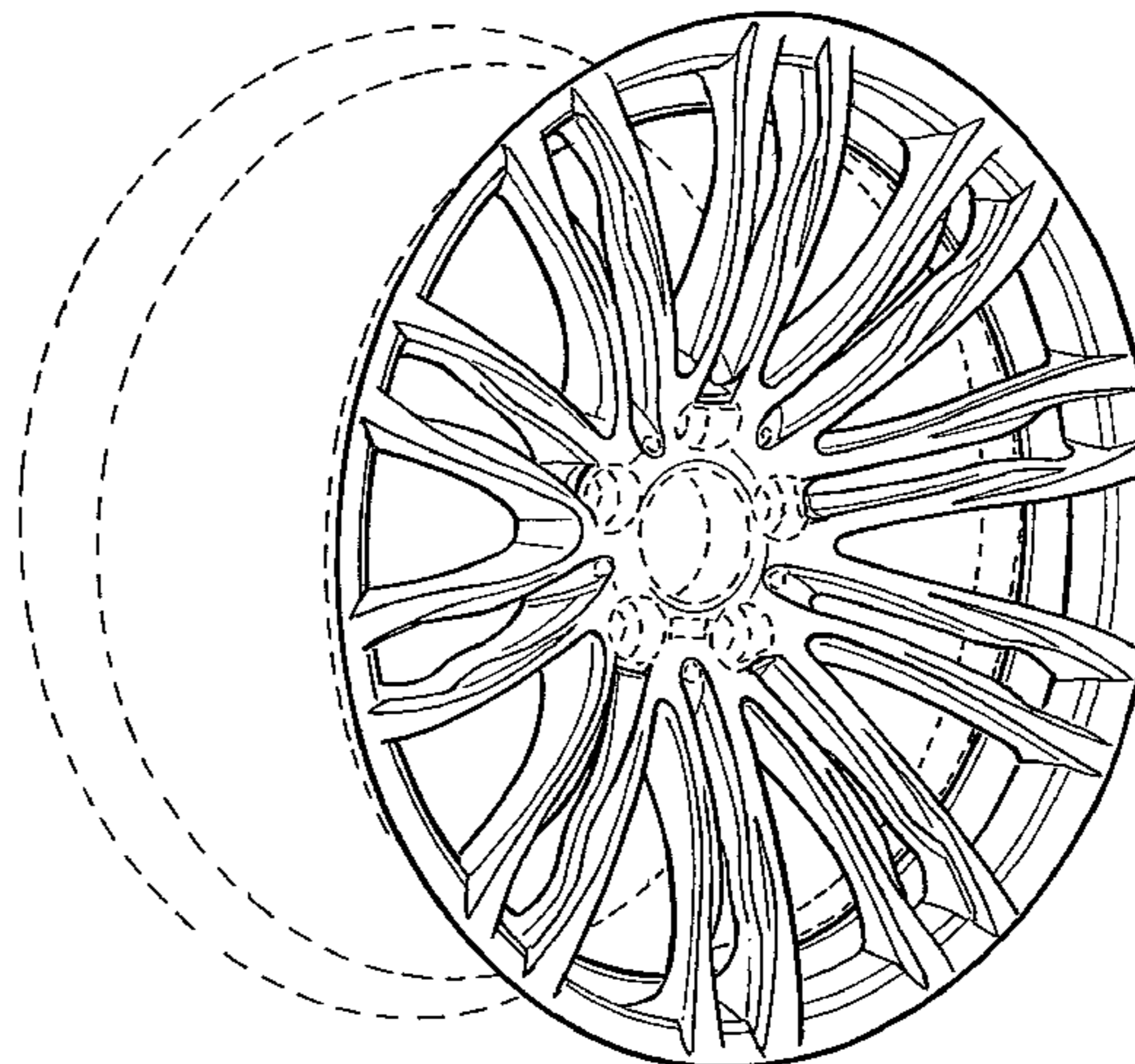
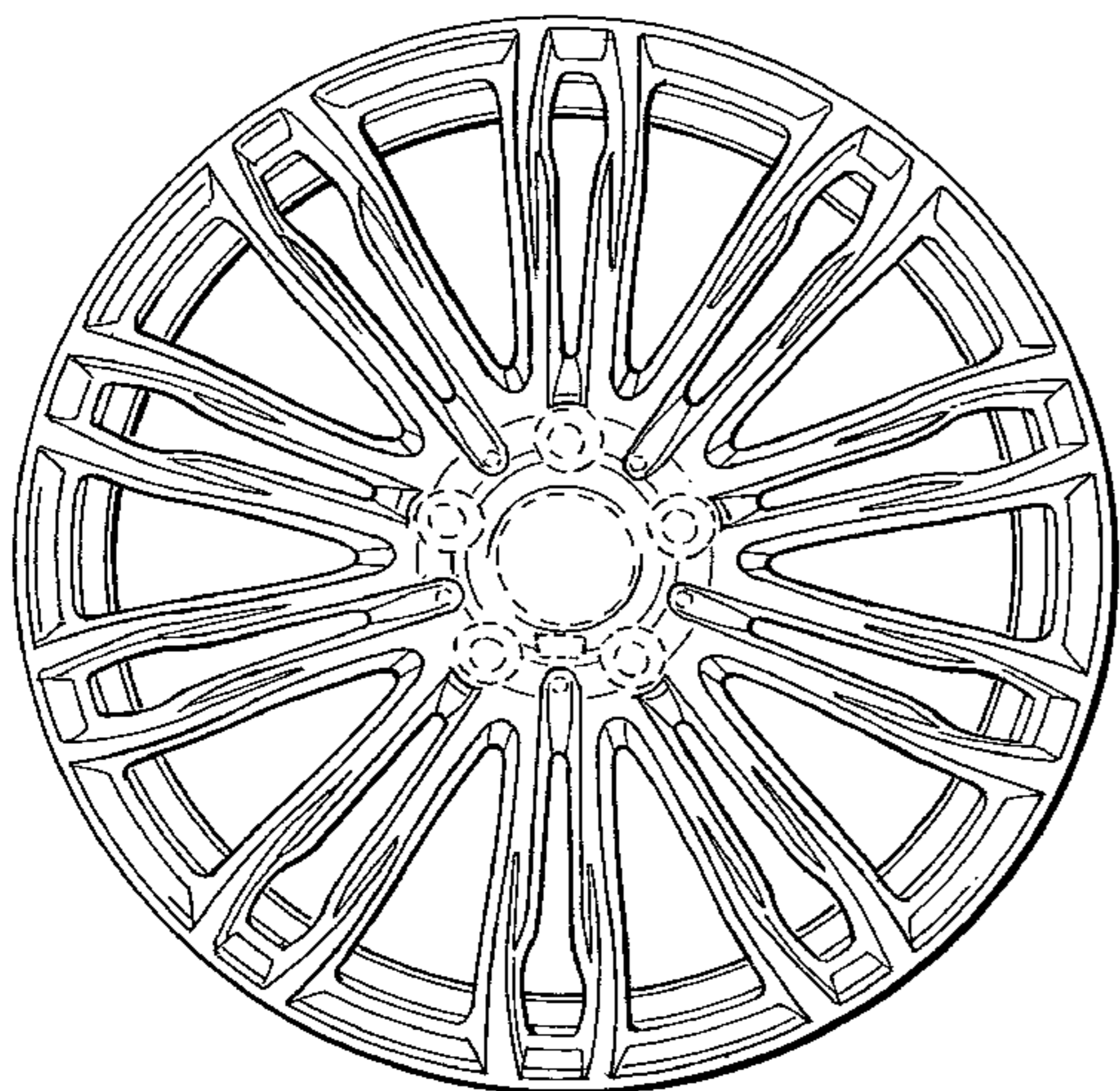
Application Ser. No. 29/375,557, filed Sep. 24, 2010 and entitled "Wheel or Wheel Cover."

FIG. 1 is a front view of a wheel or wheel cover according to my design; and,

FIG. 2 is a perspective view thereof.

The broken line showing of the rear of the wheel, the bolt holes and the center hole in the central hub area is included for the purpose of illustrating environment and forms no part of the claimed design.

1 Claim, 1 Drawing Sheet



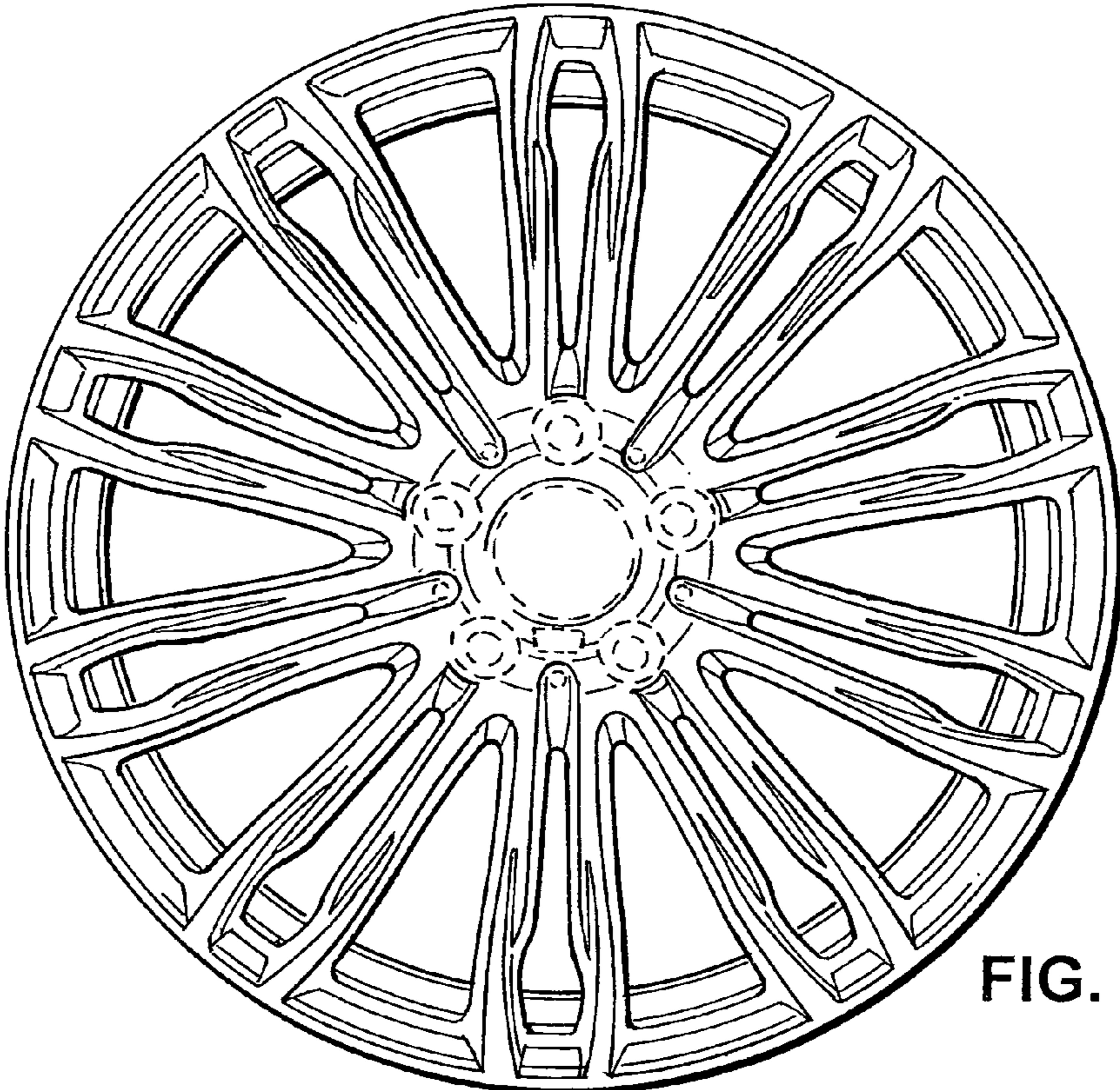


FIG. 1

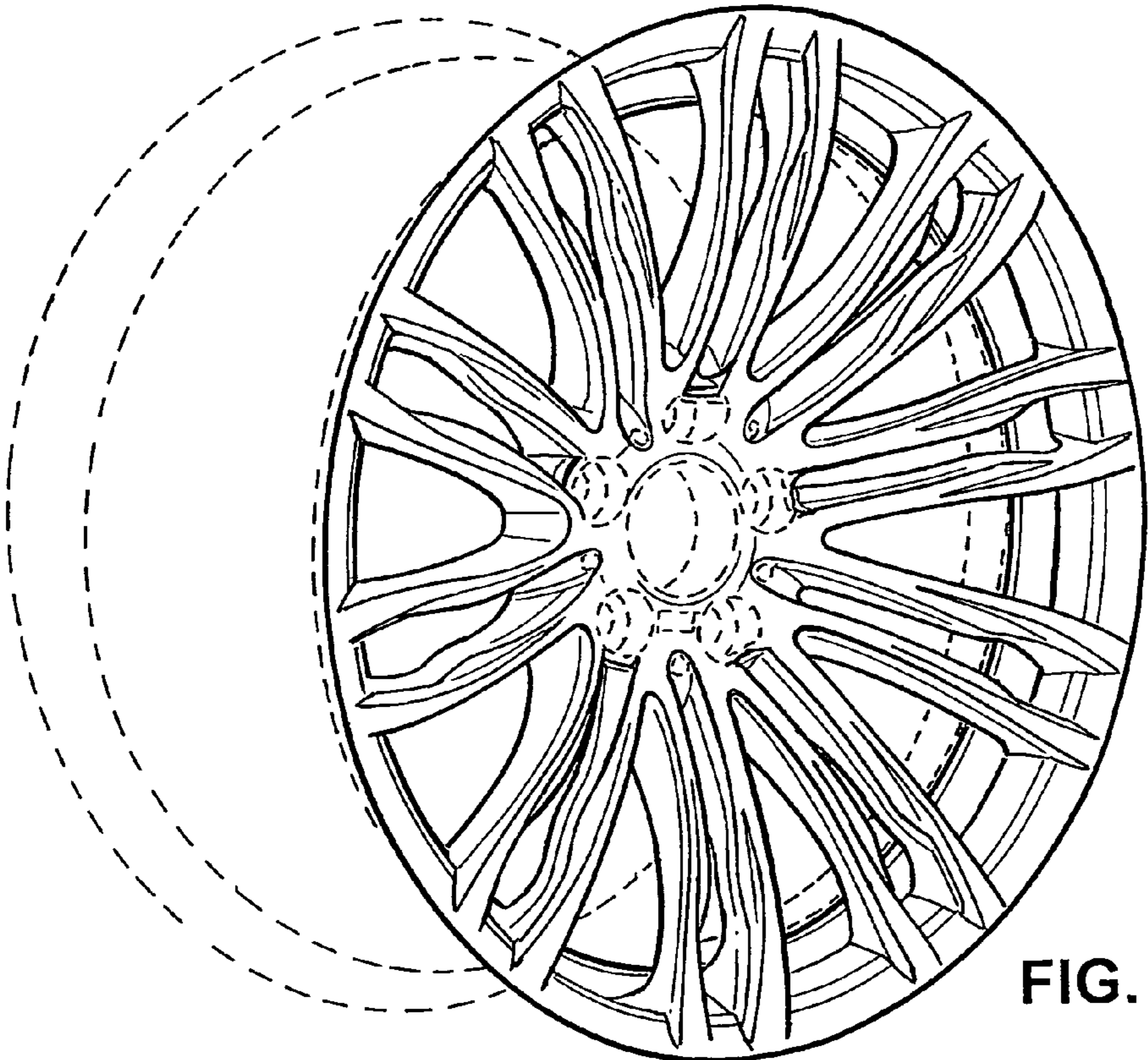


FIG. 2