



US00D643793S

(12) **United States Design Patent**  
**Juergens et al.**

(10) **Patent No.:** **US D643,793 S**

(45) **Date of Patent:** **\*\* \*Aug. 23, 2011**

(54) **WHEEL OR WHEEL COVER**

(75) Inventors: **Dirk Juergens**, Munich (DE); **Rainer Mueller**, Munich (DE)

(73) Assignee: **Bayerische Motoren Werke Aktiengesellschaft**, Munich (DE)

(\*) Notice: This patent is subject to a terminal disclaimer.

(\*\*) Term: **14 Years**

(21) Appl. No.: **29/347,962**

(22) Filed: **Aug. 20, 2010**

(30) **Foreign Application Priority Data**

Feb. 22, 2010 (DE) ..... 402010001117

(51) **LOC (9) Cl.** ..... **12-16**

(52) **U.S. Cl.** ..... **D12/209**

(58) **Field of Classification Search** ..... D12/204-213;  
301/37.101, 64.101, 65, 64.201

See application file for complete search history.

(56) **References Cited**

**U.S. PATENT DOCUMENTS**

D480,672 S \* 10/2003 Pfeiffer et al. .... D12/209  
D493,405 S 7/2004 Boyer  
D499,681 S 12/2004 Boyer

D508,671 S 8/2005 Baum  
D521,435 S \* 5/2006 Fitzgerald ..... D12/209  
D525,577 S \* 7/2006 Laengerer ..... D12/211  
D526,268 S \* 8/2006 Pfeiffer ..... D12/211  
D554,034 S \* 10/2007 Madden ..... D12/209  
D589,423 S \* 3/2009 Juergens et al. .... D12/209  
D597,918 S 8/2009 Juergens et al.  
D620,872 S \* 8/2010 Juergens et al. .... D12/211  
D627,698 S \* 11/2010 Zhang ..... D12/209

**FOREIGN PATENT DOCUMENTS**

EM 000032438-0007 10/2003  
EM 000090410-0004 3/2004  
EM 000062591-0002 5/2004  
EM 000997572-0008 10/2008

\* cited by examiner

*Primary Examiner* — Stacia Cadmus

(74) *Attorney, Agent, or Firm* — Crowell & Moring LLP

(57) **CLAIM**

The ornamental design for a wheel or wheel cover, as shown and described.

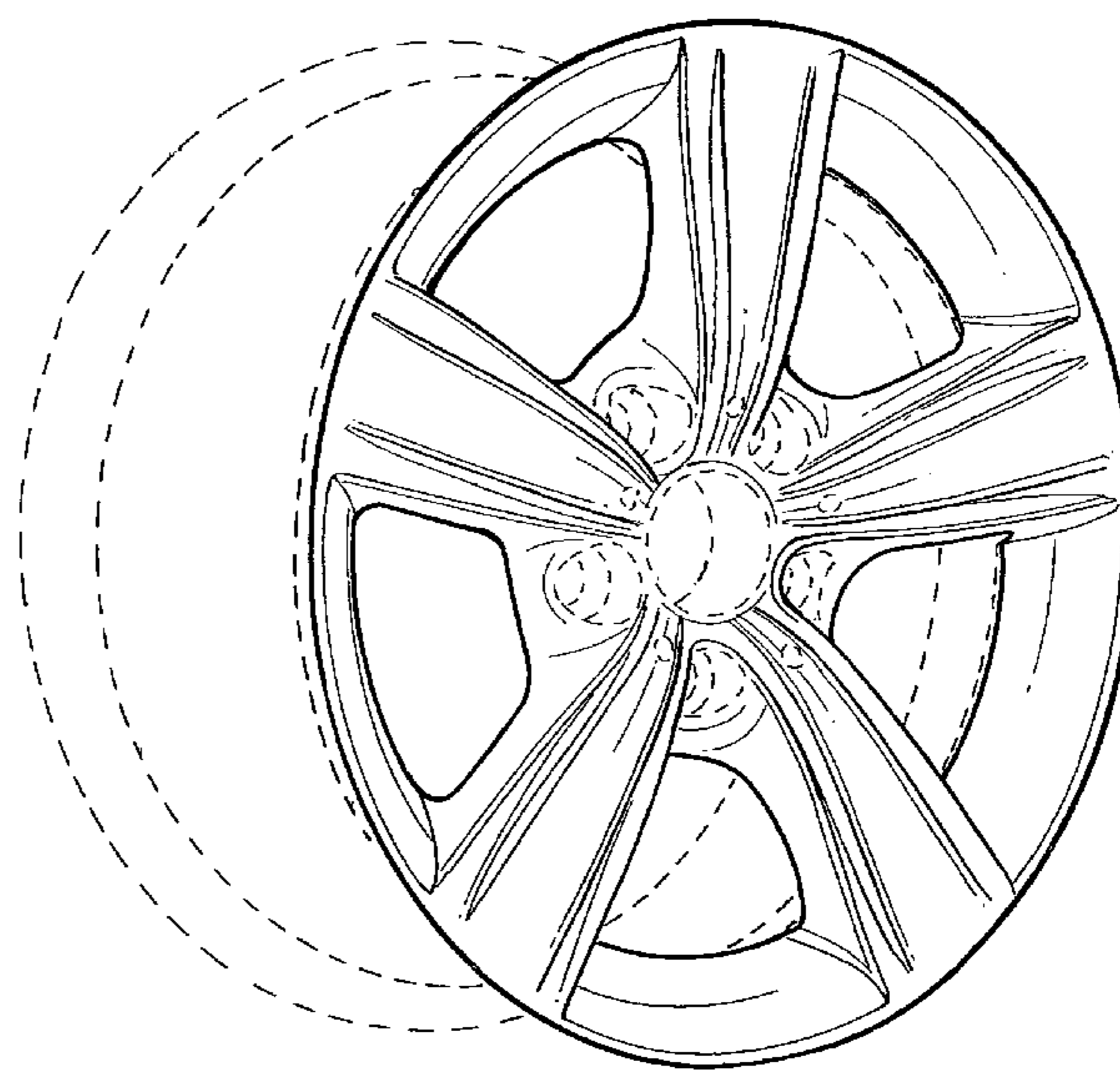
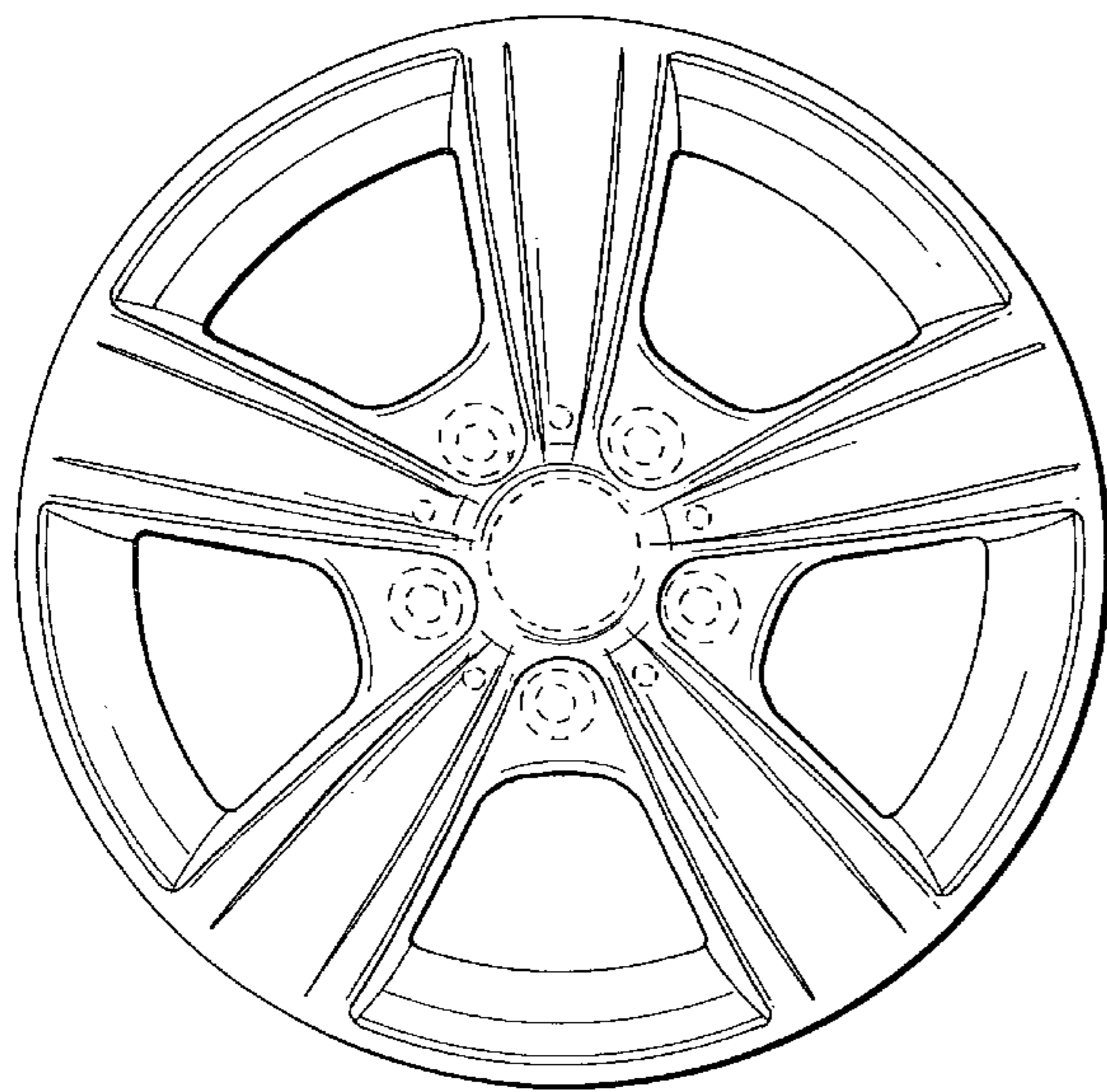
**DESCRIPTION**

FIG. 1 is a front view of a wheel or wheel cover according to our design; and,

FIG. 2 is a perspective view thereof.

The broken line showing of the rear of the rim, the bolt holes and center hole in the central hub area is included for the purpose of illustrating environment and forms no part of the claimed design.

**1 Claim, 1 Drawing Sheet**



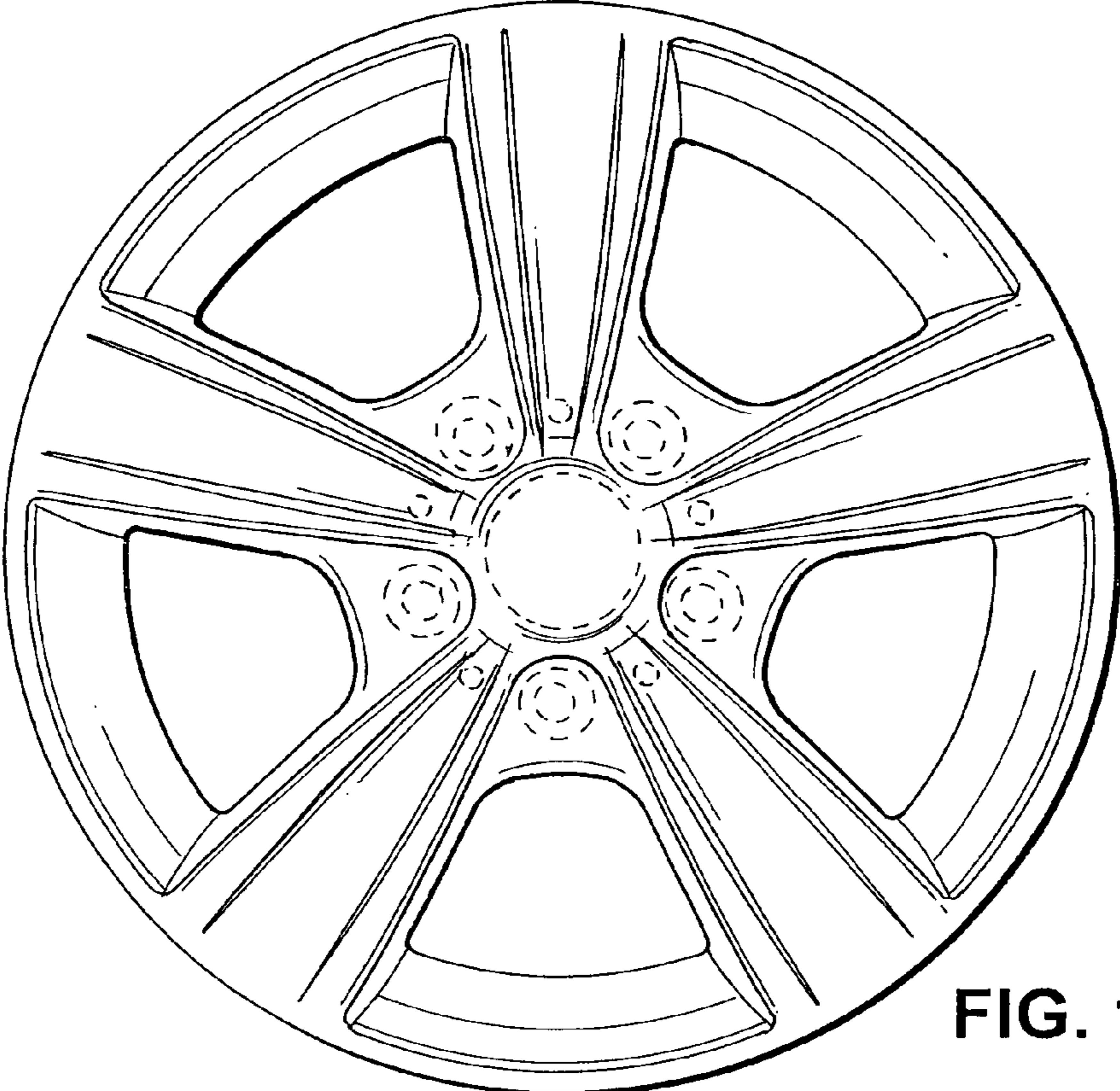


FIG. 1

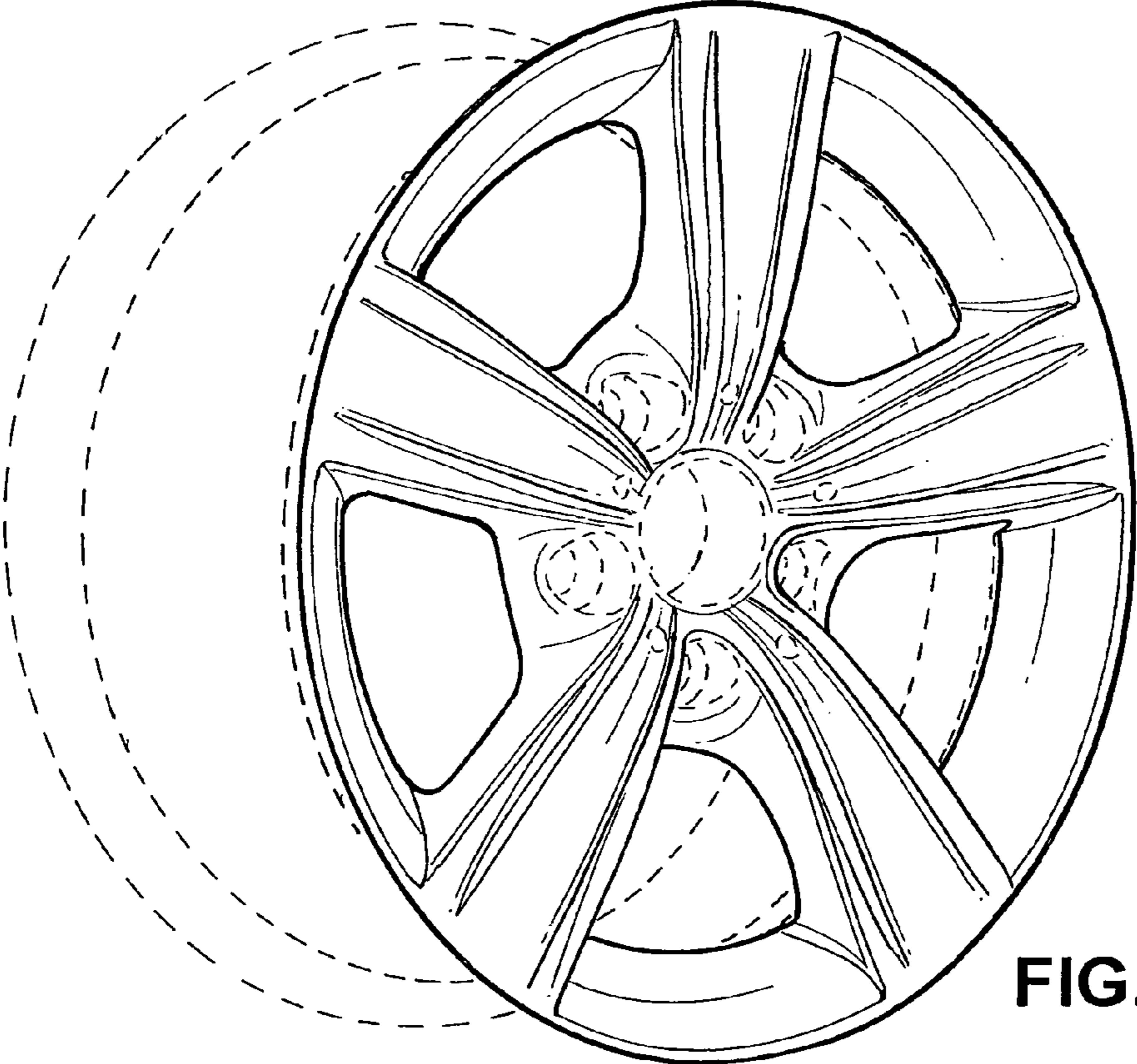


FIG. 2