



US00D643792S

(12) **United States Design Patent**
MacDonald et al.

(10) **Patent No.:** **US D643,792 S**

(45) **Date of Patent:** **** Aug. 23, 2011**

(54) **VEHICLE MUFFLER**

(75) Inventors: **Rod MacDonald**, Calgary (CA);
Clifford C. Faszler, Calgary (CA);
Andrew C. Faszler, Calgary (CA);
Bryan N. Campbell, Calgary (CA);
George K. Campbell, Edmonton (CA);
Ryan R. Russell, Red Deer (CA)

(73) Assignee: **Noise Solutions Inc.** (CA)

(**) Term: **14 Years**

(21) Appl. No.: **29/337,172**

(22) Filed: **May 15, 2009**

(30) **Foreign Application Priority Data**

Apr. 21, 2009 (CA) 130482

(51) **LOC (9) Cl.** **12-16**

(52) **U.S. Cl.** **D12/194**

(58) **Field of Classification Search** D15/5;
D12/194, 15; 123/198 E, 306, 308, 184.21,
123/184.34, 184.53, 184.56, 184.42, 184.57;
55/337, 385.3, 385.5, 498-502; 60/299,
60/302, 312, 323, 276, 272; 181/227-228,
181/282; D23/266; D25/125, 120, 141;
138/38; 280/152.1, 152.3, 160.1, 304.3,
280/770, 848, 552

See application file for complete search history.

(56) **References Cited**

U.S. PATENT DOCUMENTS

3,504,813 A * 4/1970 Weir 414/422
D223,021 S * 2/1972 Broyhill D12/15
D242,734 S * 12/1976 Breneman et al. D21/554
D242,839 S * 12/1976 Lifstrom D34/3
D289,069 S * 3/1987 Ohno D21/580
D578,435 S * 10/2008 Bryant et al. D12/15

D588,956 S * 3/2009 Kelley et al. D12/15
D594,382 S * 6/2009 Bryant et al. D12/15
D627,284 S * 11/2010 Faszler et al. D12/194

* cited by examiner

Primary Examiner — Celia Murphy

Assistant Examiner — John Windmuller

(74) *Attorney, Agent, or Firm* — St. Onge Steward Johnston
& Reens LLC

(57) **CLAIM**

The ornamental design for a vehicle muffler, as shown and described.

DESCRIPTION

FIG. 1 is a front elevation view of a vehicle muffler illustrating the present design;

FIG. 2 is a left side elevation view of the vehicle muffler shown in FIG. 1;

FIG. 3 is a rear elevation view of the vehicle muffler shown in FIG. 1;

FIG. 4 is a right side elevation view of the vehicle muffler shown in FIG. 1;

FIG. 5 is a top plan view of the vehicle muffler shown in FIG. 1;

FIG. 6 is a bottom plan view of the vehicle muffler shown in FIG. 1;

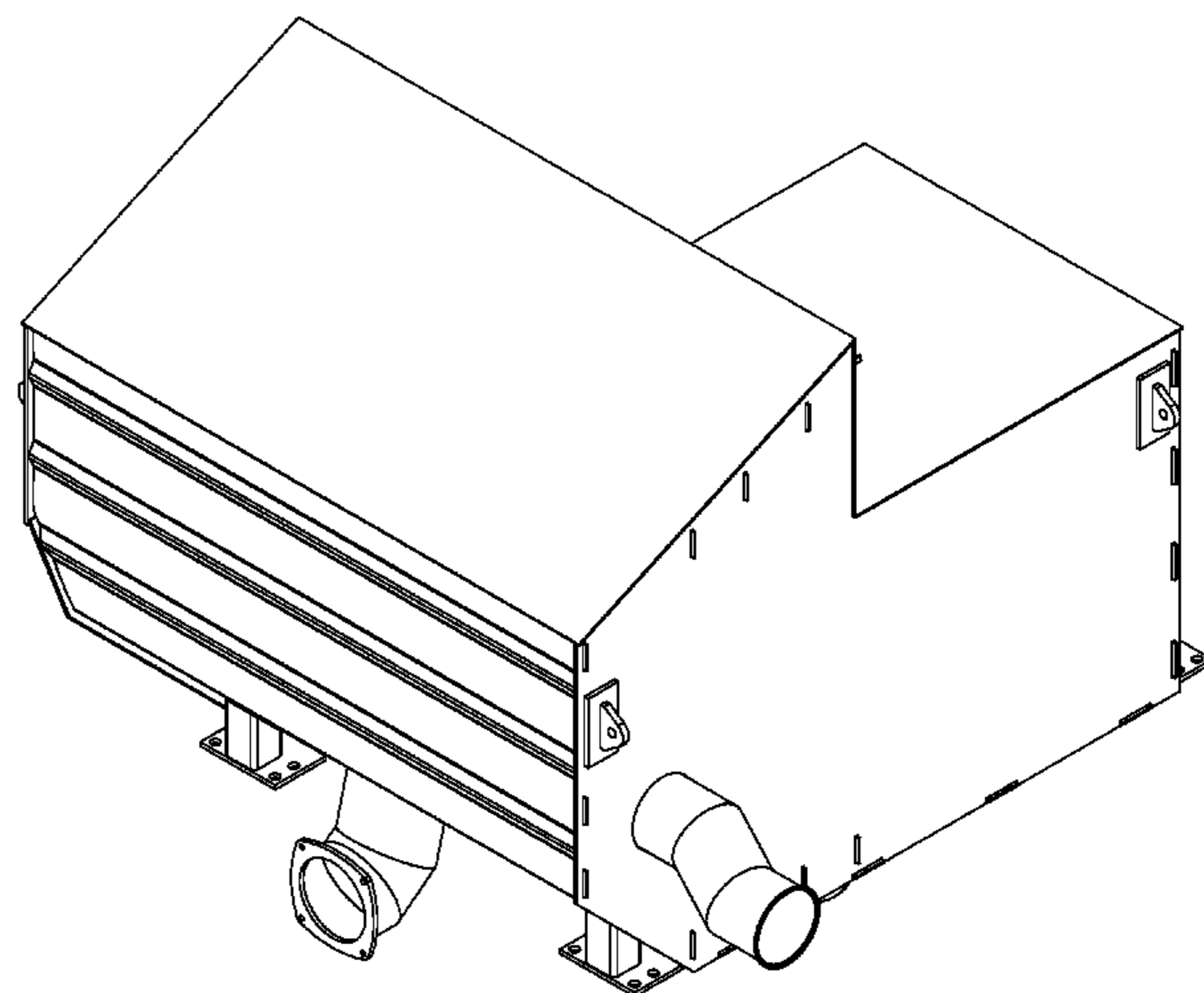
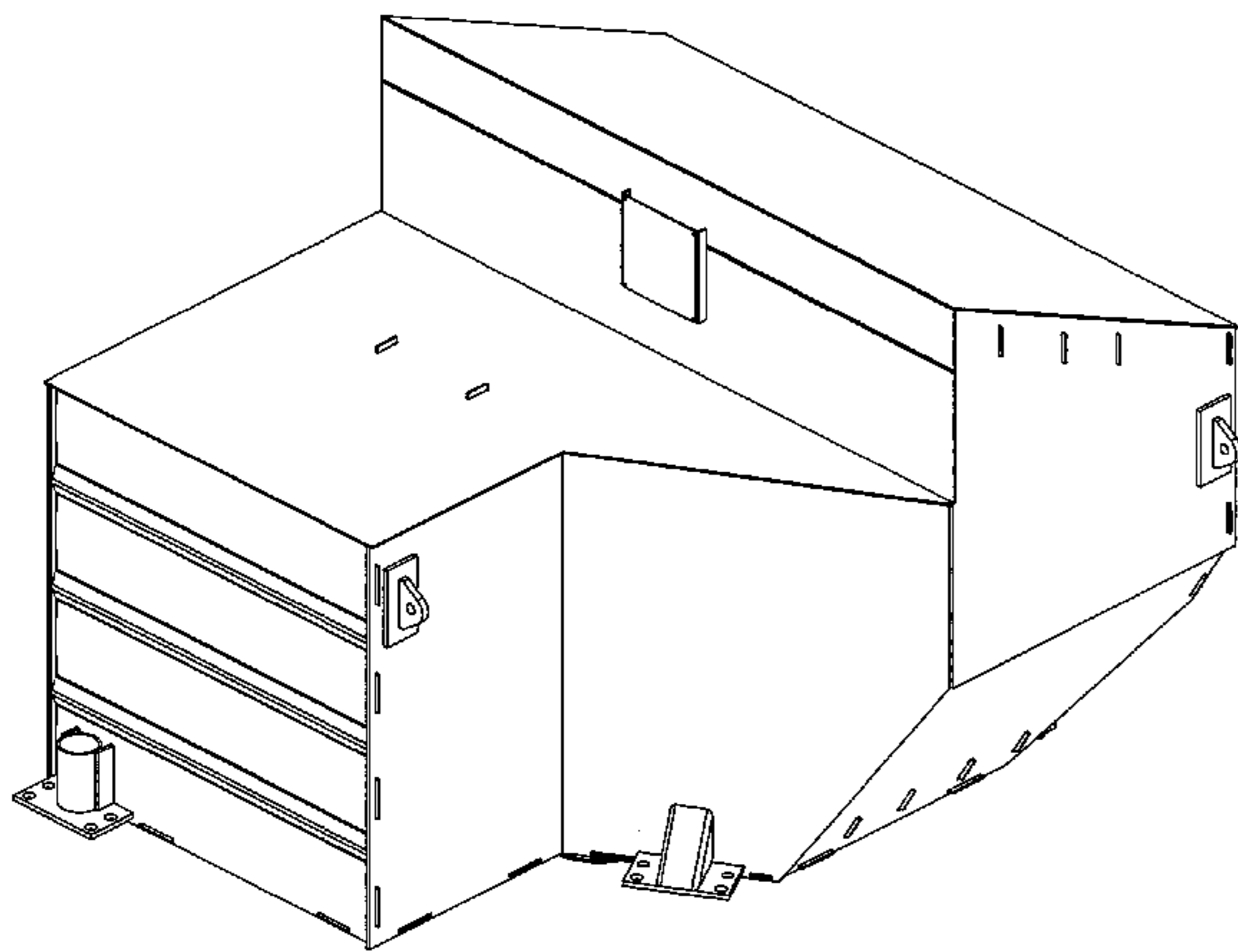
FIG. 7 is a front isometric view of the vehicle muffler shown in FIG. 1;

FIG. 8 is a rear isometric view of the vehicle muffler shown in FIG. 1; and,

FIG. 9 is a front isometric view of the vehicle muffler shown in FIG. 1 in a typical environment.

The broken line showing in FIG. 9 is for environmental purposes only and forms no part of the claimed design.

1 Claim, 9 Drawing Sheets



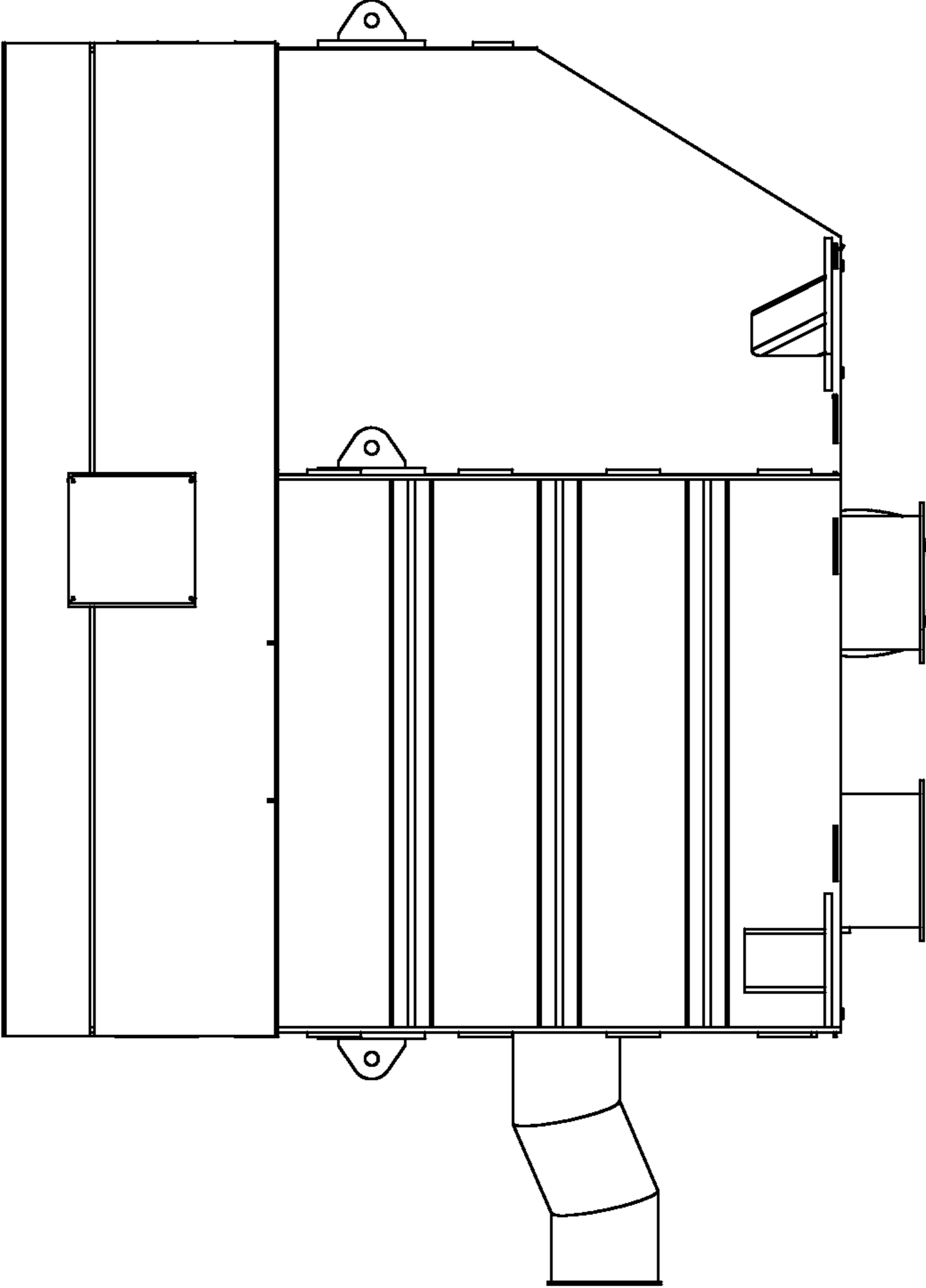


FIGURE 1

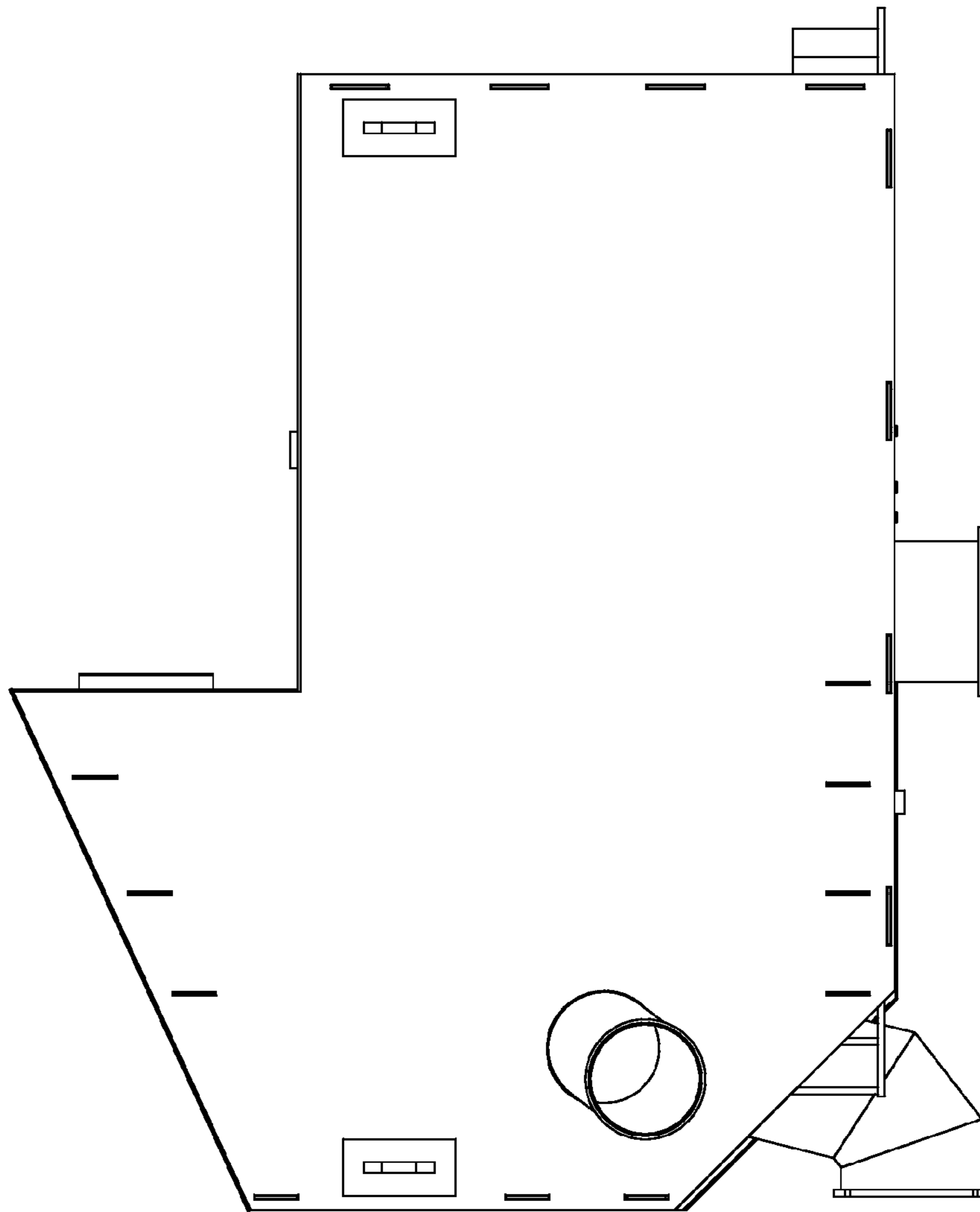


FIGURE 2

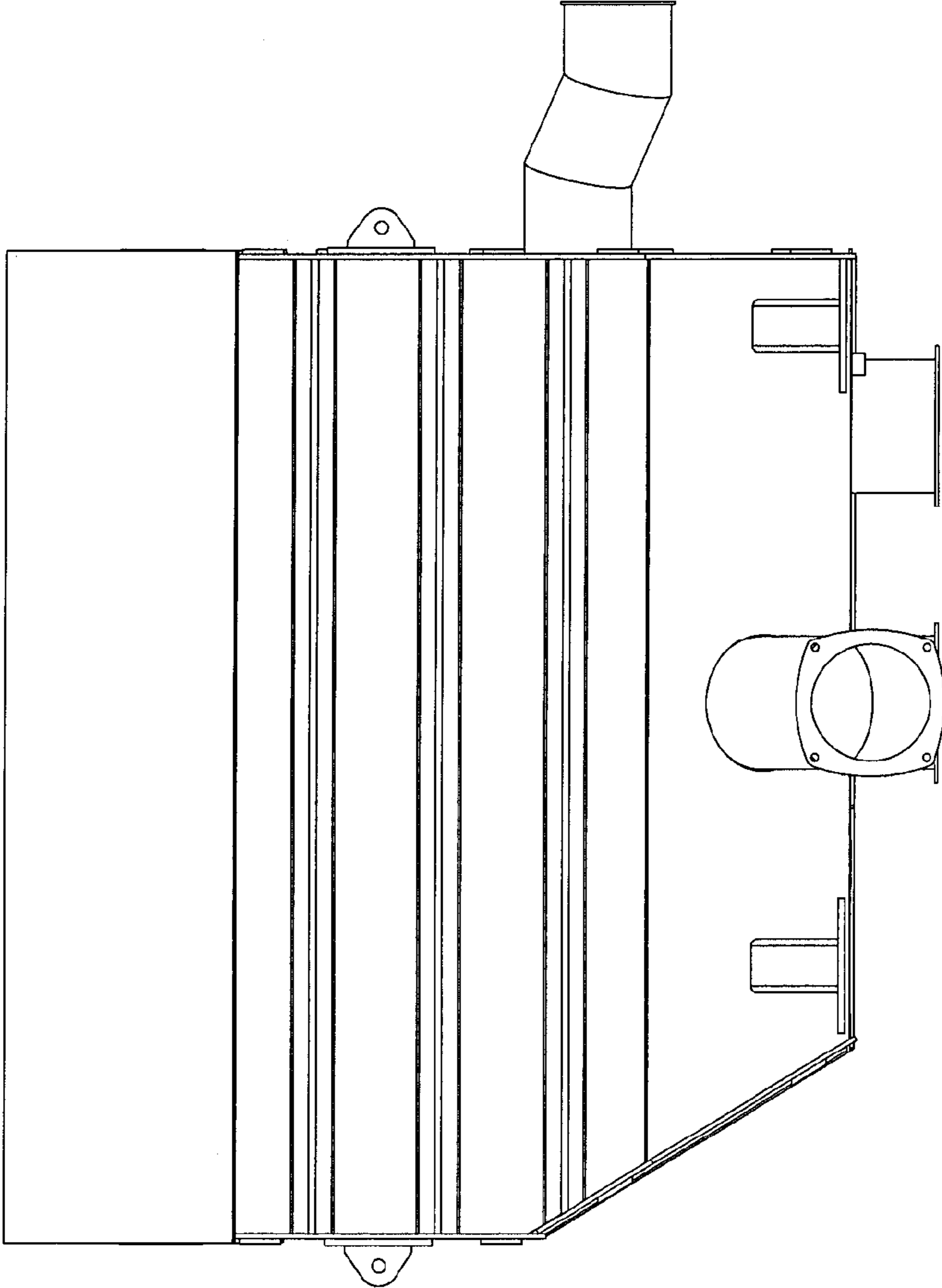


FIGURE 3

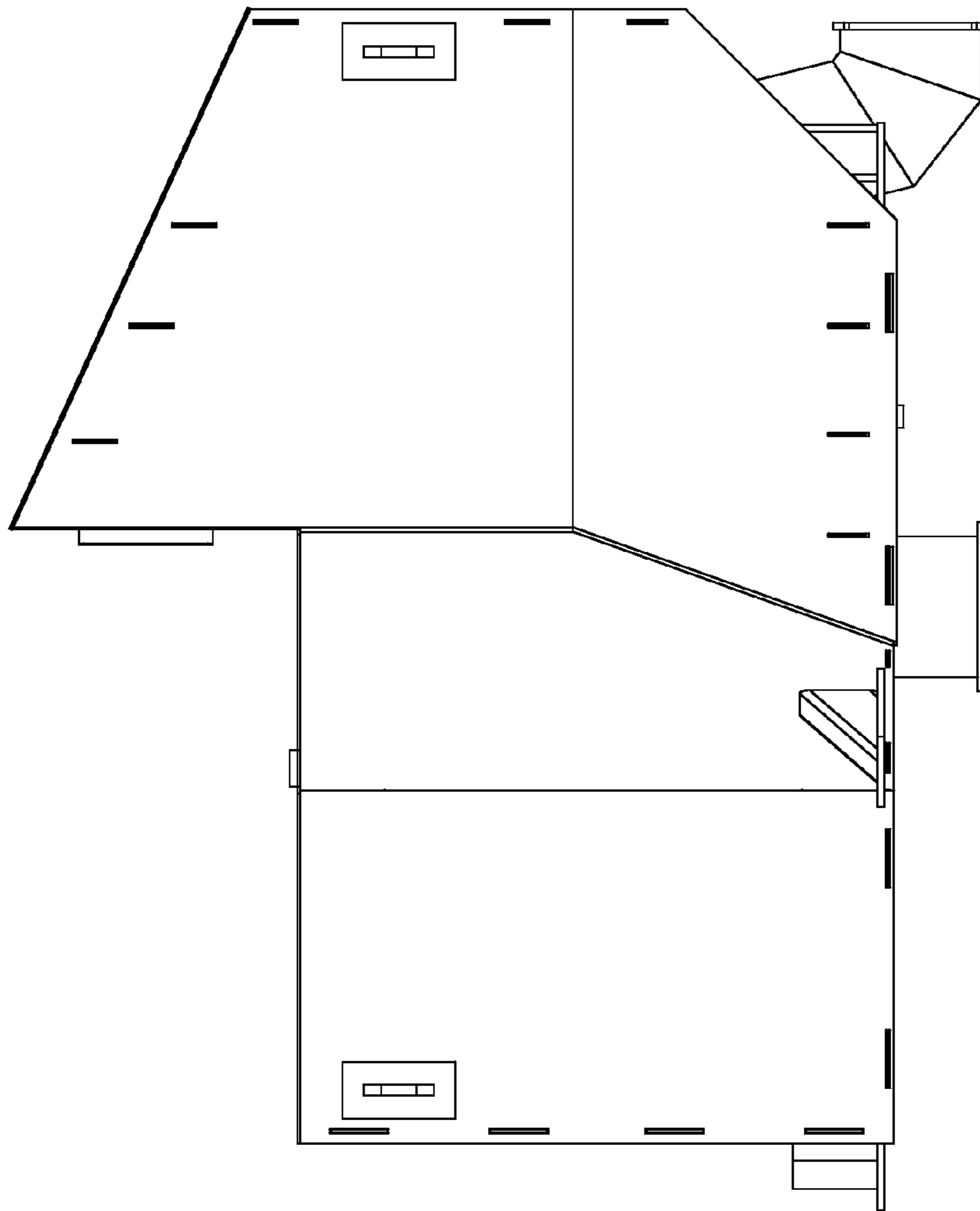


FIGURE 4

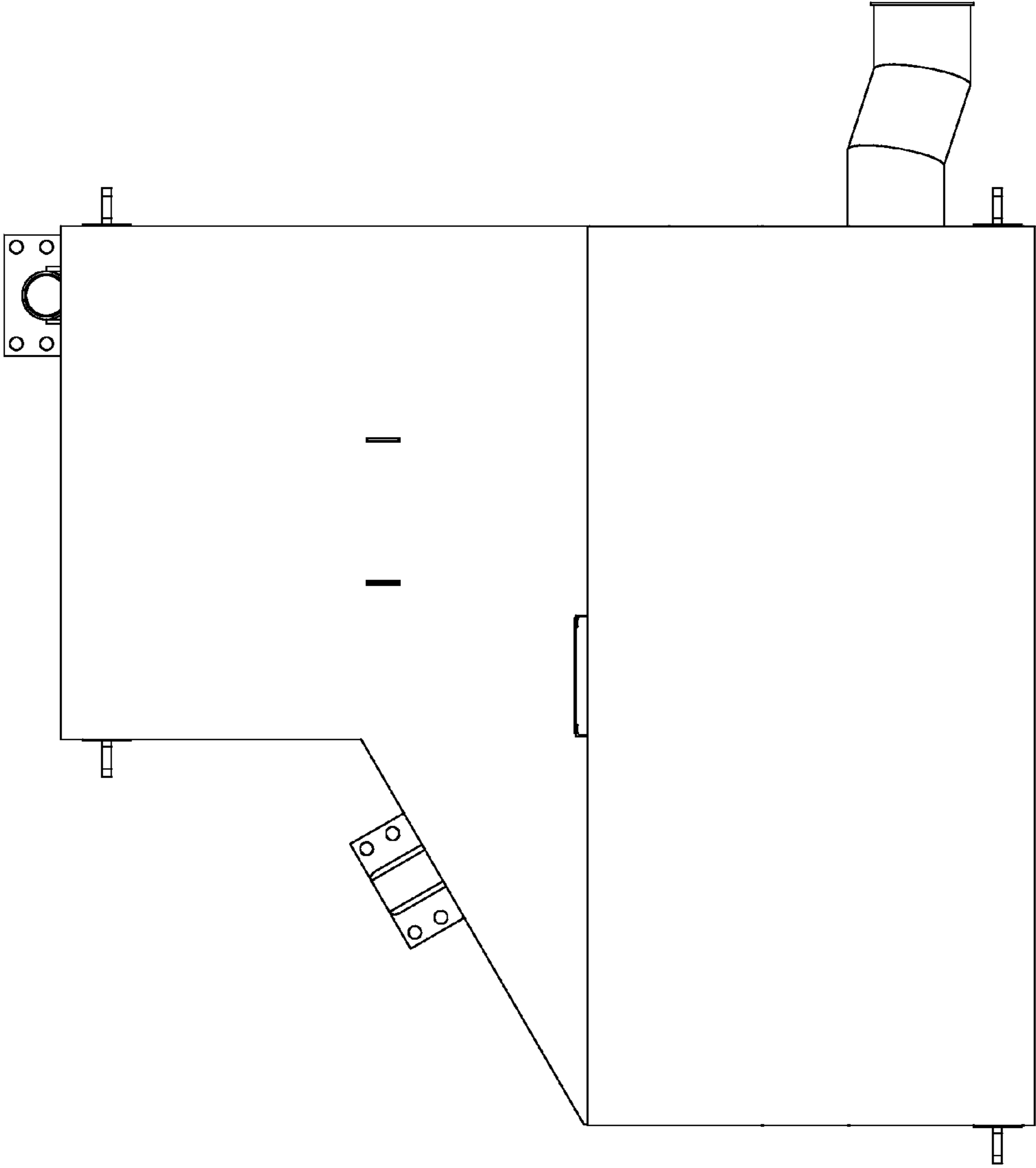


FIGURE 5

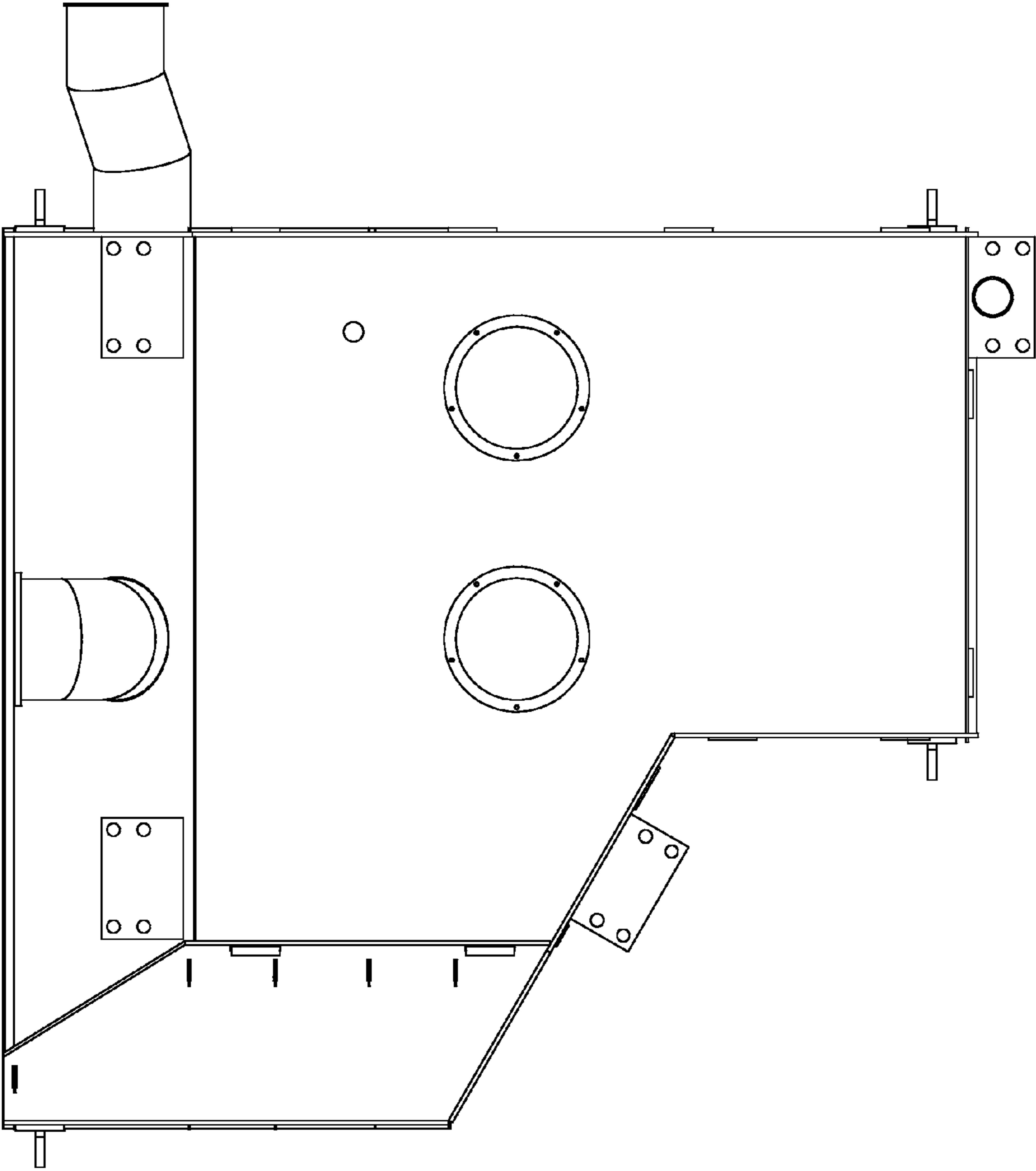


FIGURE 6

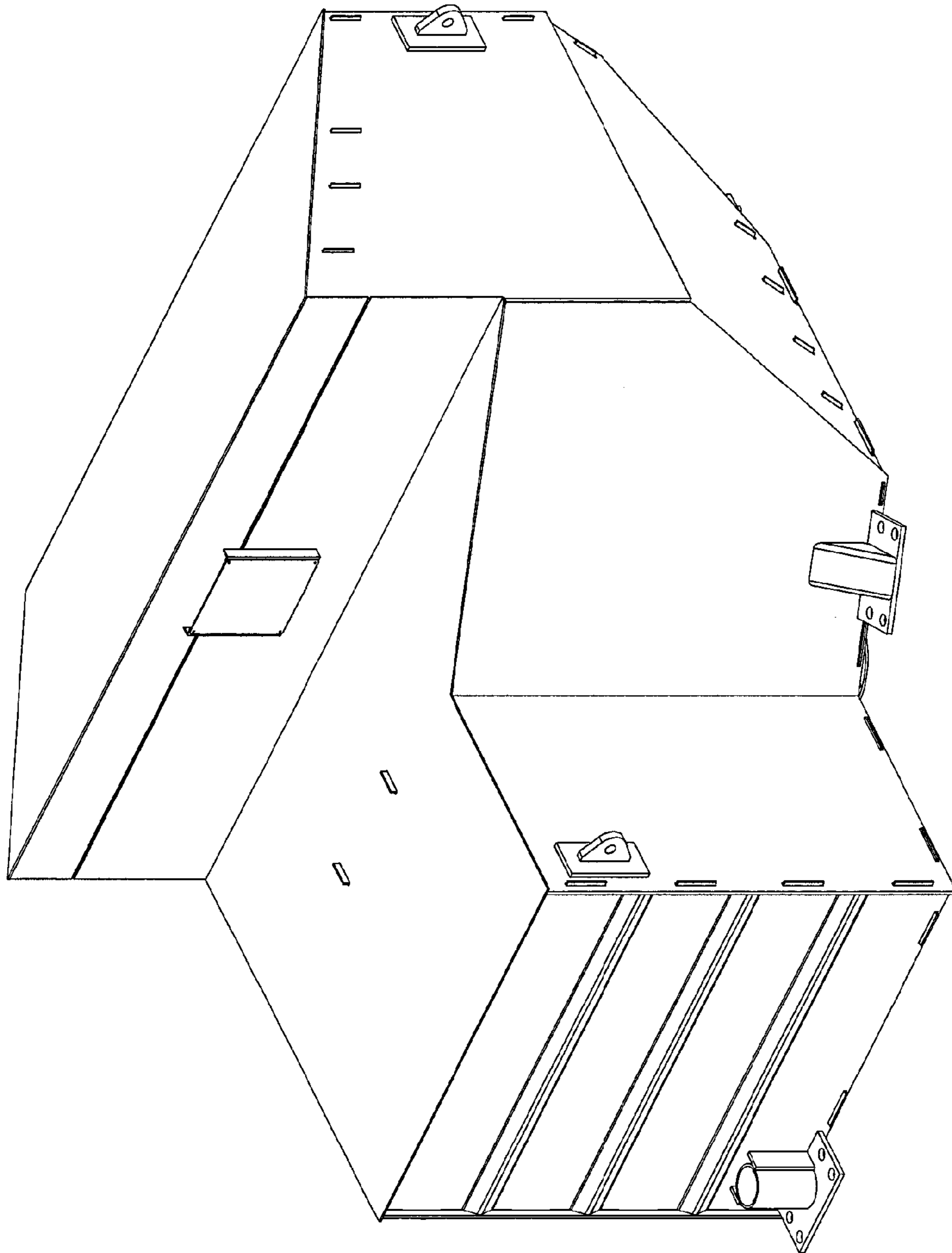


FIGURE 7

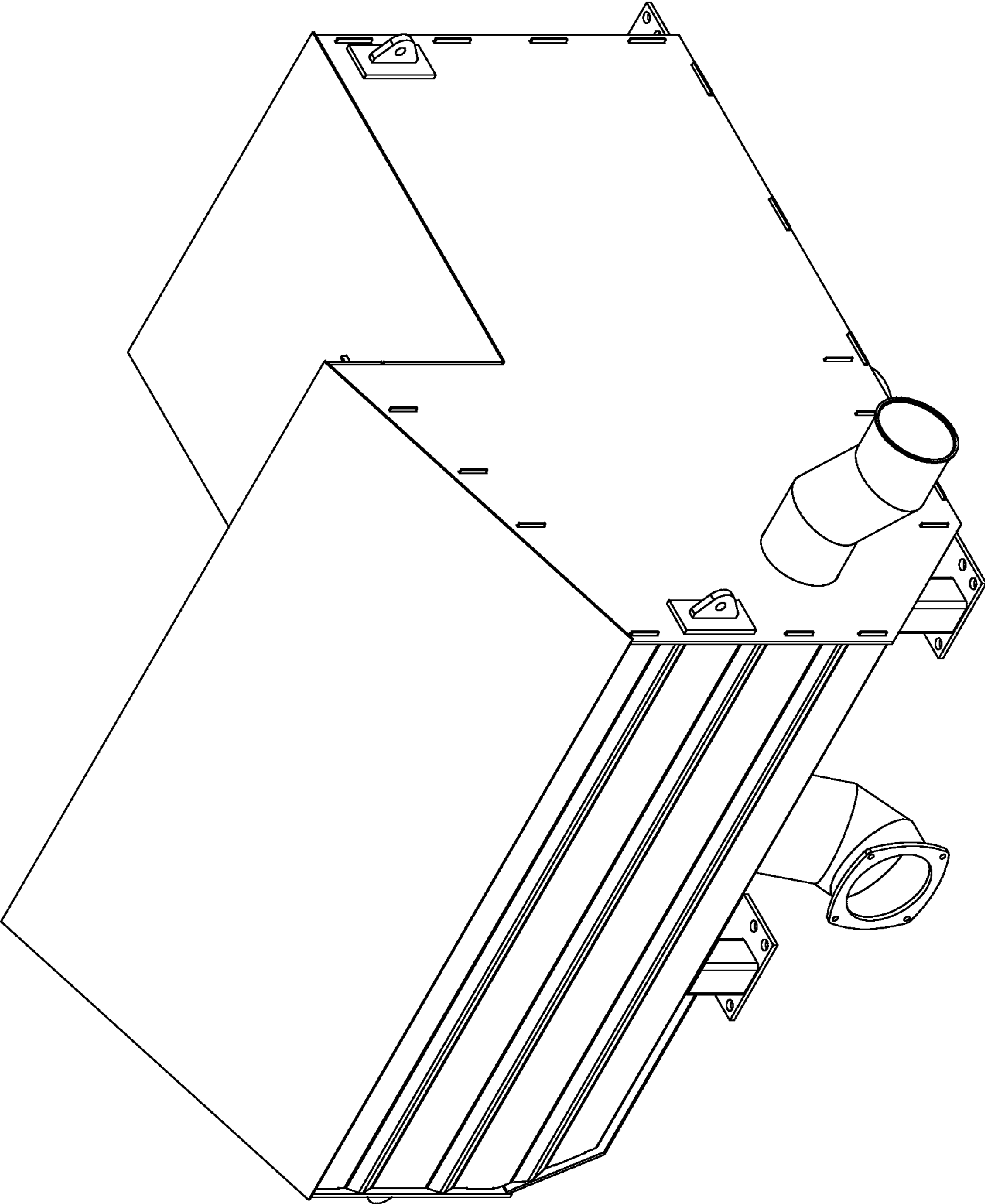


FIGURE 8

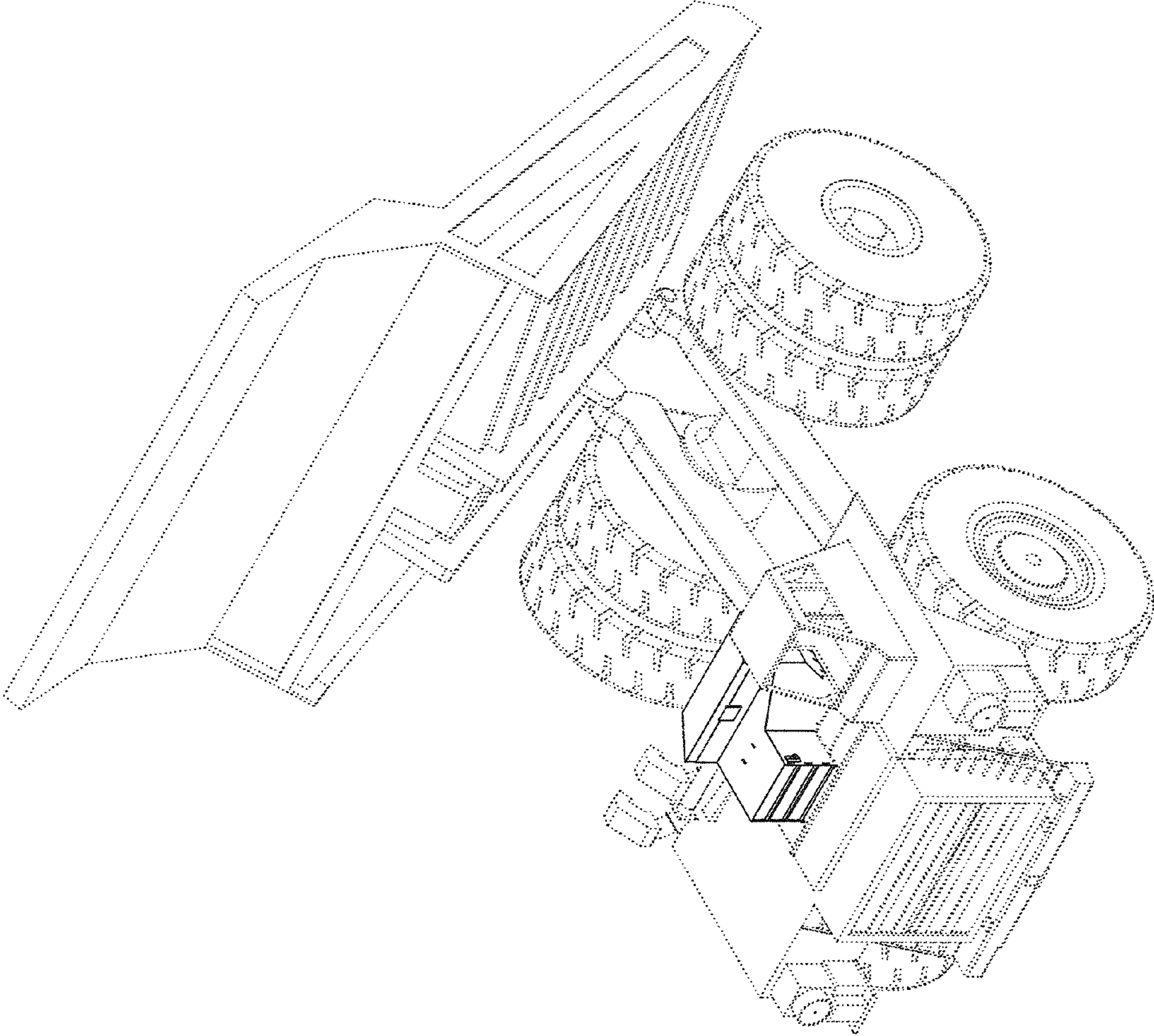


FIGURE 9