



US00D643791S

(12) **United States Design Patent**
Yeung

(10) **Patent No.:** **US D643,791 S**

(45) **Date of Patent:** **** Aug. 23, 2011**

(54) **AUTOMOTIVE STEERING COLUMN COVER**

(76) Inventor: **Winston Yeung**, North Vancouver (CA)

(**) Term: **14 Years**

(21) Appl. No.: **29/381,393**

(22) Filed: **Dec. 17, 2010**

(51) **LOC (9) Cl.** **12-16**

(52) **U.S. Cl.** **D12/177**

(58) **Field of Classification Search** D12/175-177,
D12/192, 317, 345; D10/46, 98, 102, 103,
D10/106; D15/17, 28; 73/431, 866.3; 180/90;
200/61.54-61.57, 1 R, 5 R, 51.02-51.06,
200/293, 295; 280/750-752; 296/190.01-190.09,
296/70; 362/482, 489; 439/76.1, 206, 519,
439/521, 520

See application file for complete search history.

(56) **References Cited**

U.S. PATENT DOCUMENTS

D288,430 S	2/1987	Cornwell
D478,297 S	8/2003	Cadotte et al.
D478,832 S	8/2003	Dipple
D480,341 S	10/2003	Day
D489,661 S	5/2004	McPeck et al.
D491,825 S	6/2004	Day et al.
D492,213 S	6/2004	Day et al.
D512,357 S	12/2005	Schuttera
D514,994 S	2/2006	Day
7,180,020 B2	2/2007	Onoda et al.
D538,720 S	3/2007	Yeung

D593,913 S	6/2009	Yeung	
D593,914 S	6/2009	Yeung	
7,595,457 B2	9/2009	Heite et al.	
D611,884 S	3/2010	Yeung	
D620,405 S *	7/2010	Yeung D12/177

* cited by examiner

Primary Examiner — Melody N Brown

(74) *Attorney, Agent, or Firm* — C. Larry Kyle; Nexus Law Group LLP

(57) **CLAIM**

The ornamental design for an automotive steering column cover, as shown and described.

DESCRIPTION

FIG. 1 is a front, top right perspective view of an automotive steering column cover, showing my new design; FIG. 2 is a front elevation view thereof; FIG. 3 is a rear elevation view thereof; FIG. 4 is a top plan view thereof; FIG. 5 is a bottom plan view thereof; FIG. 6 is a right side elevation view thereof; FIG. 7 is a left side elevation view thereof; FIG. 8 is a perspective view thereof from the top rear; and, FIG. 9 is a perspective view thereof from the bottom rear. The broken lines showing in FIGS. 1-9 show unclaimed subject matter only and form no part of the claimed design.

1 Claim, 3 Drawing Sheets

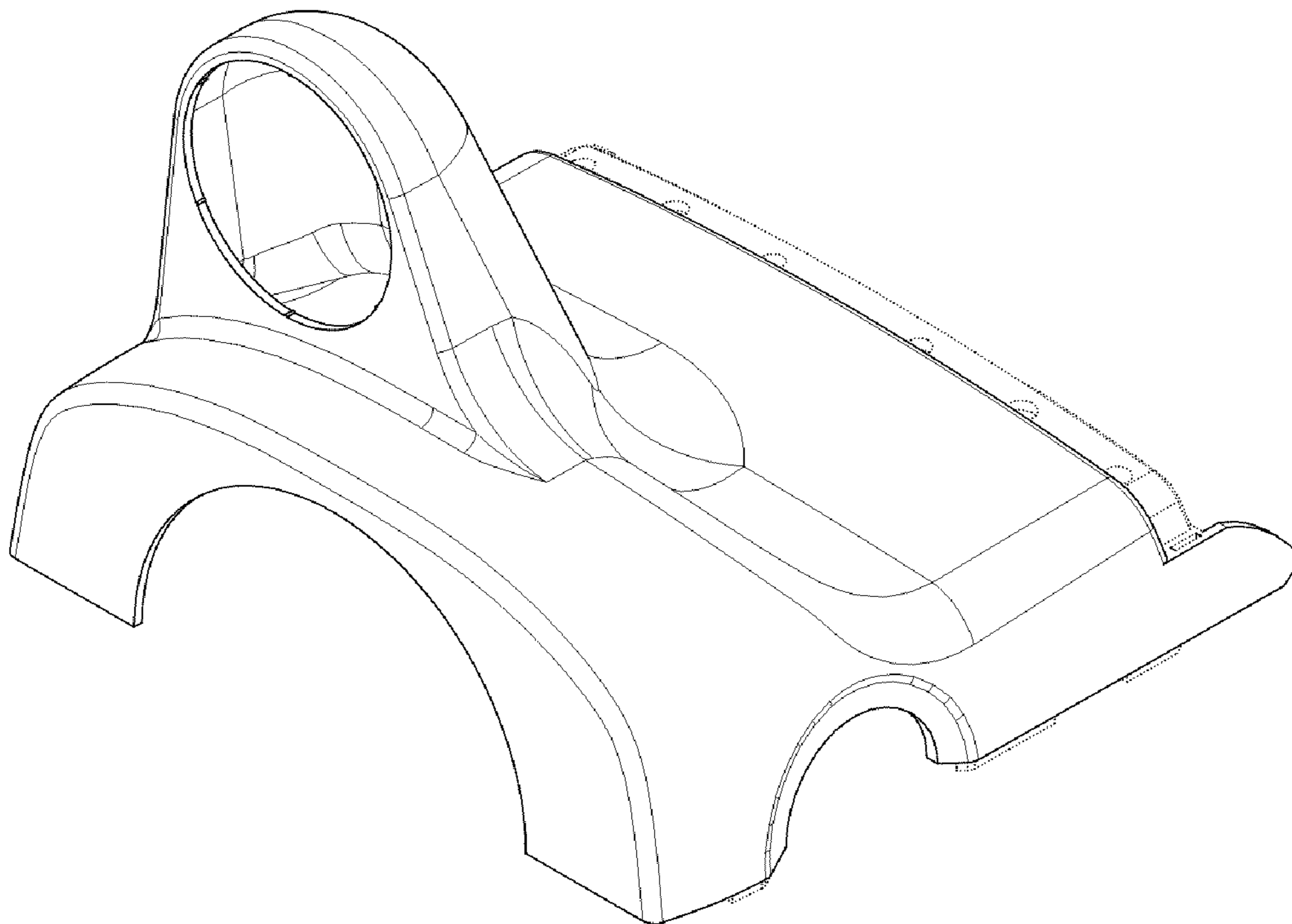


FIGURE-1

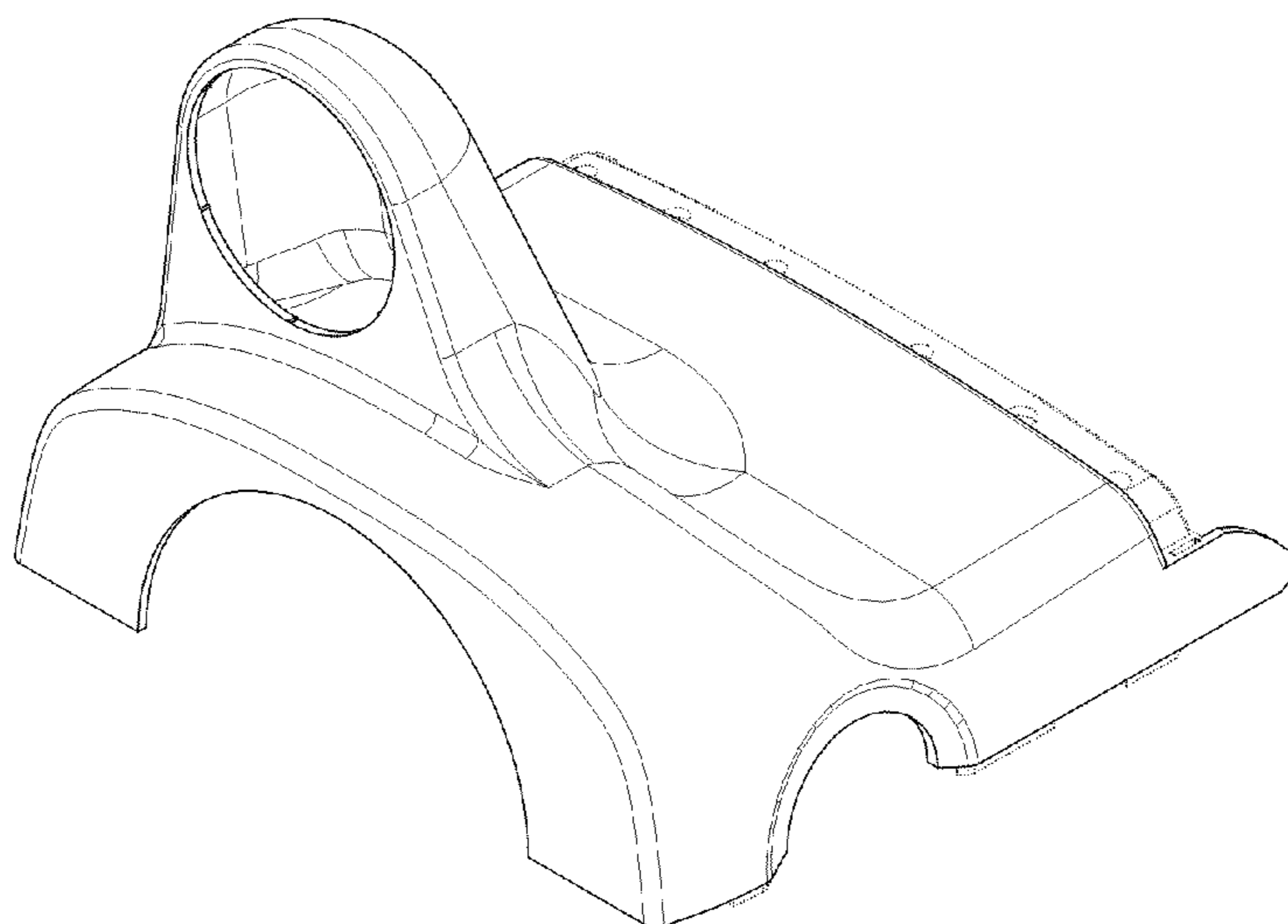


FIGURE-2

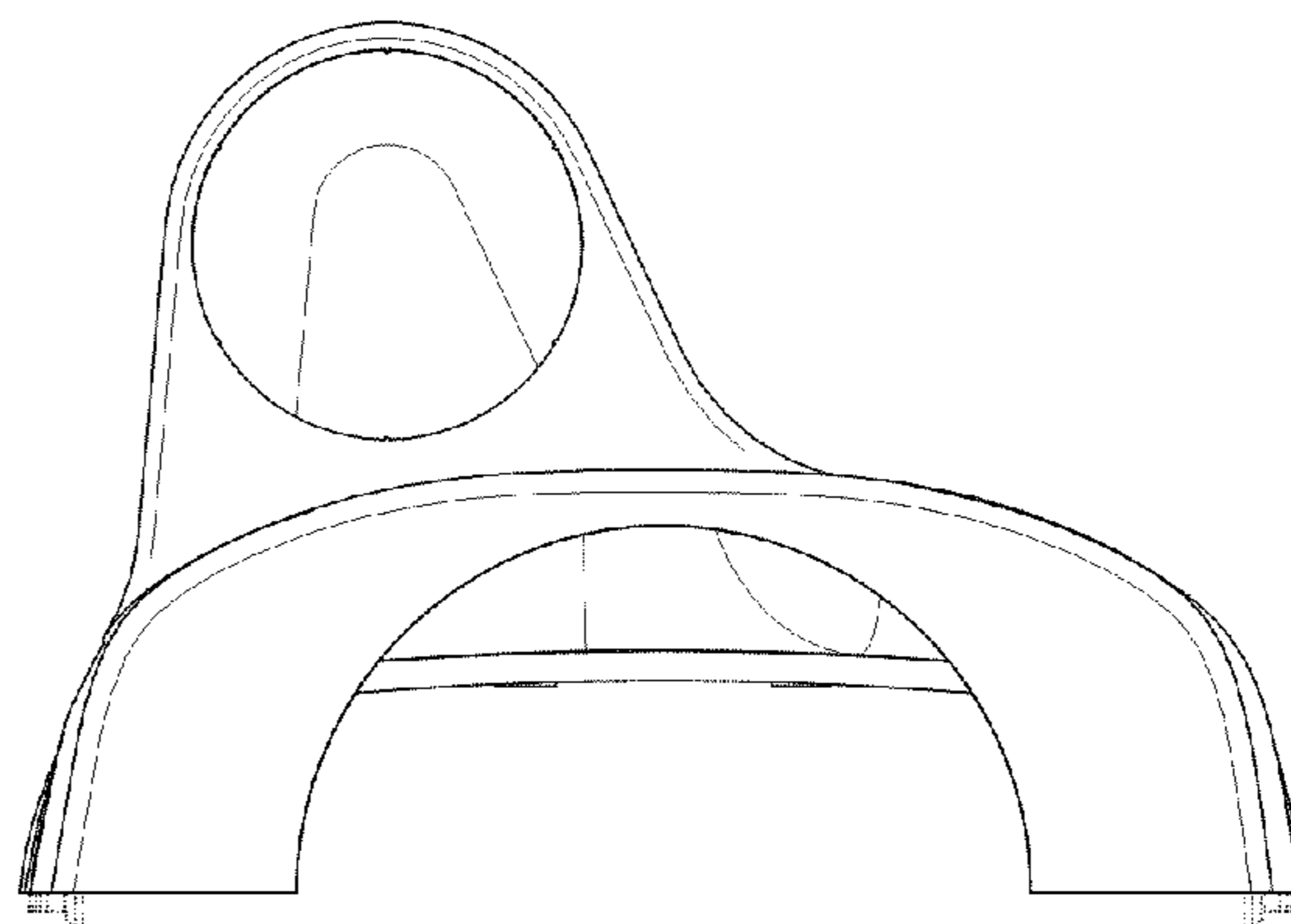


FIGURE-3

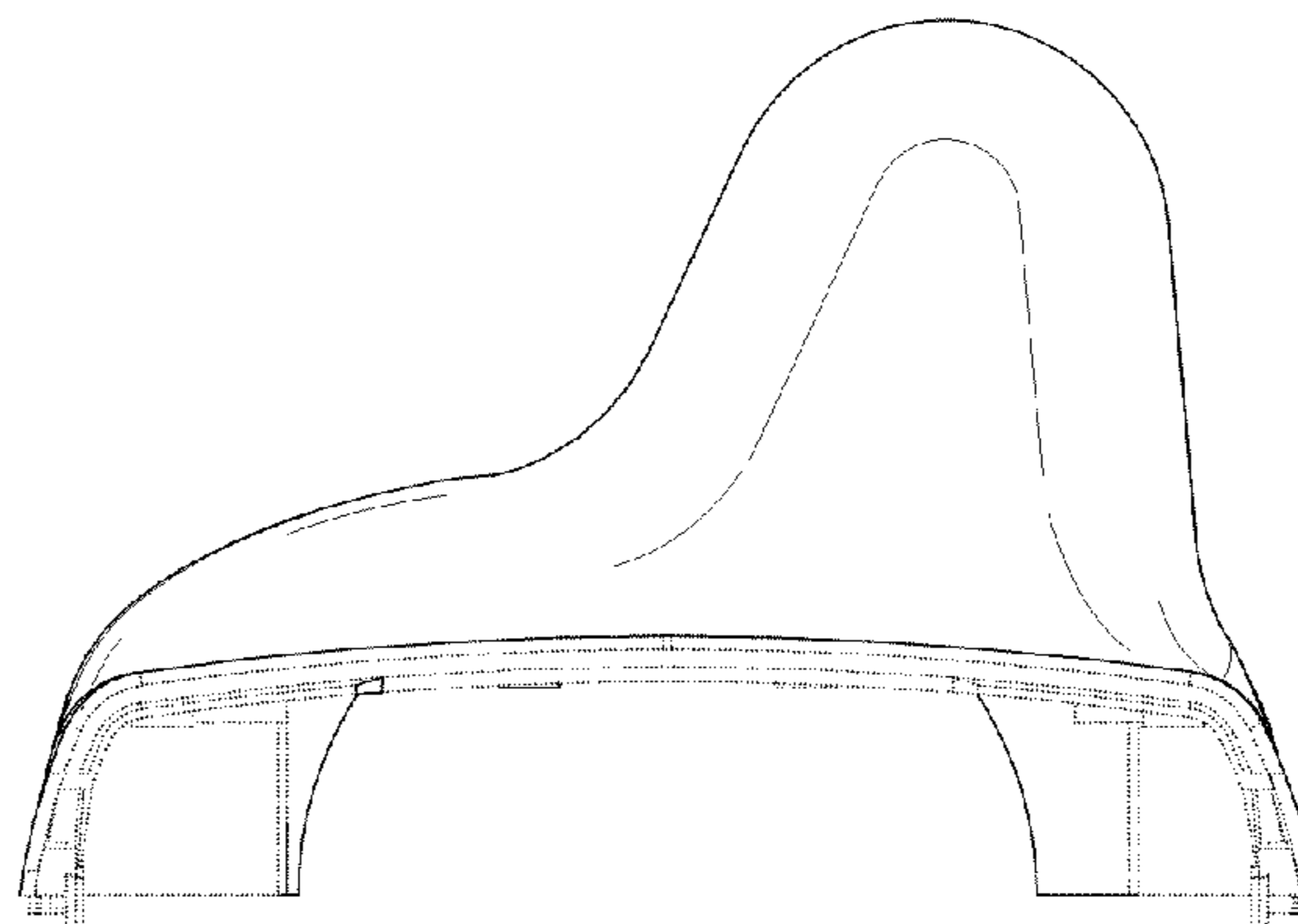


FIGURE-4

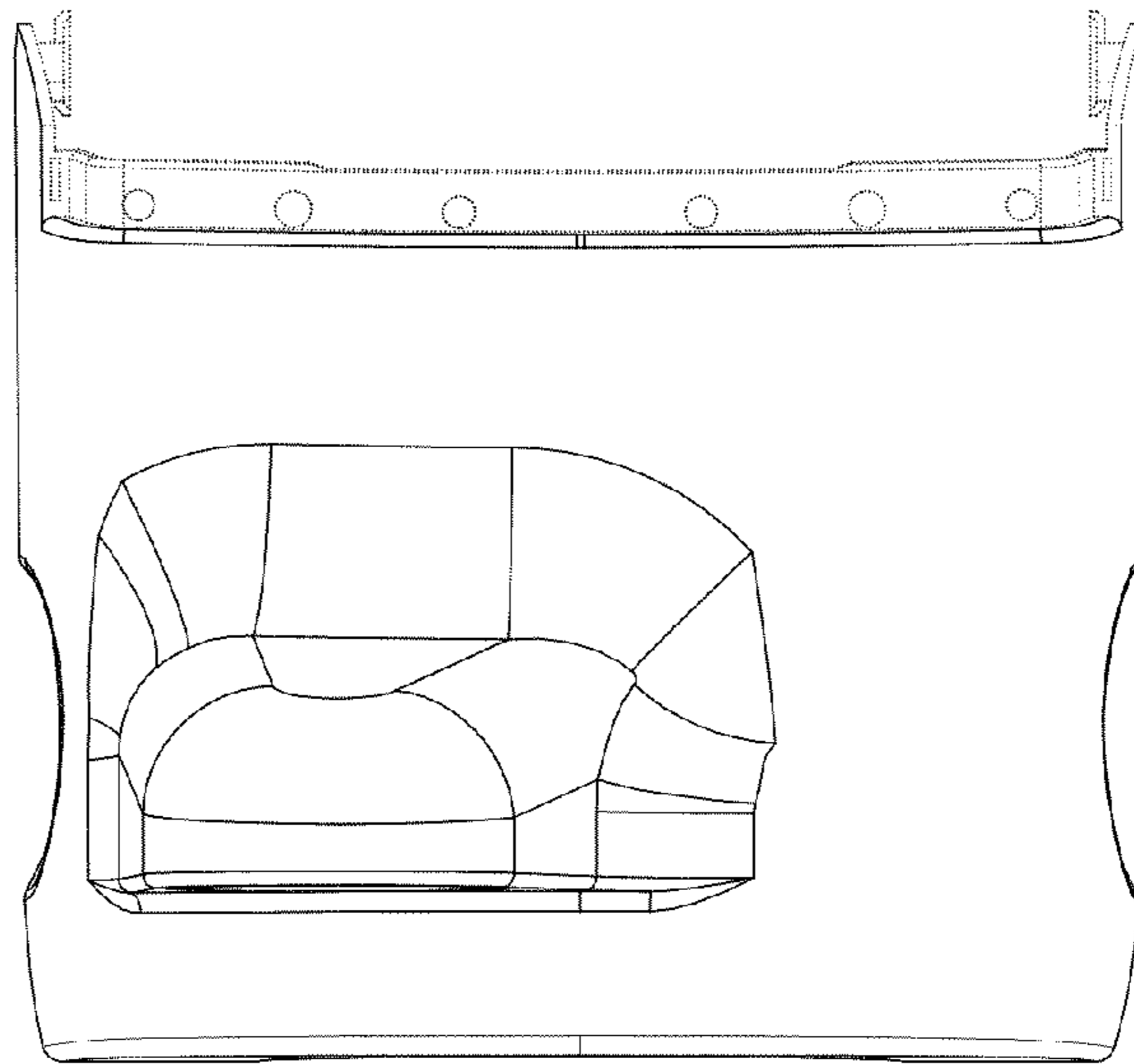


FIGURE-5

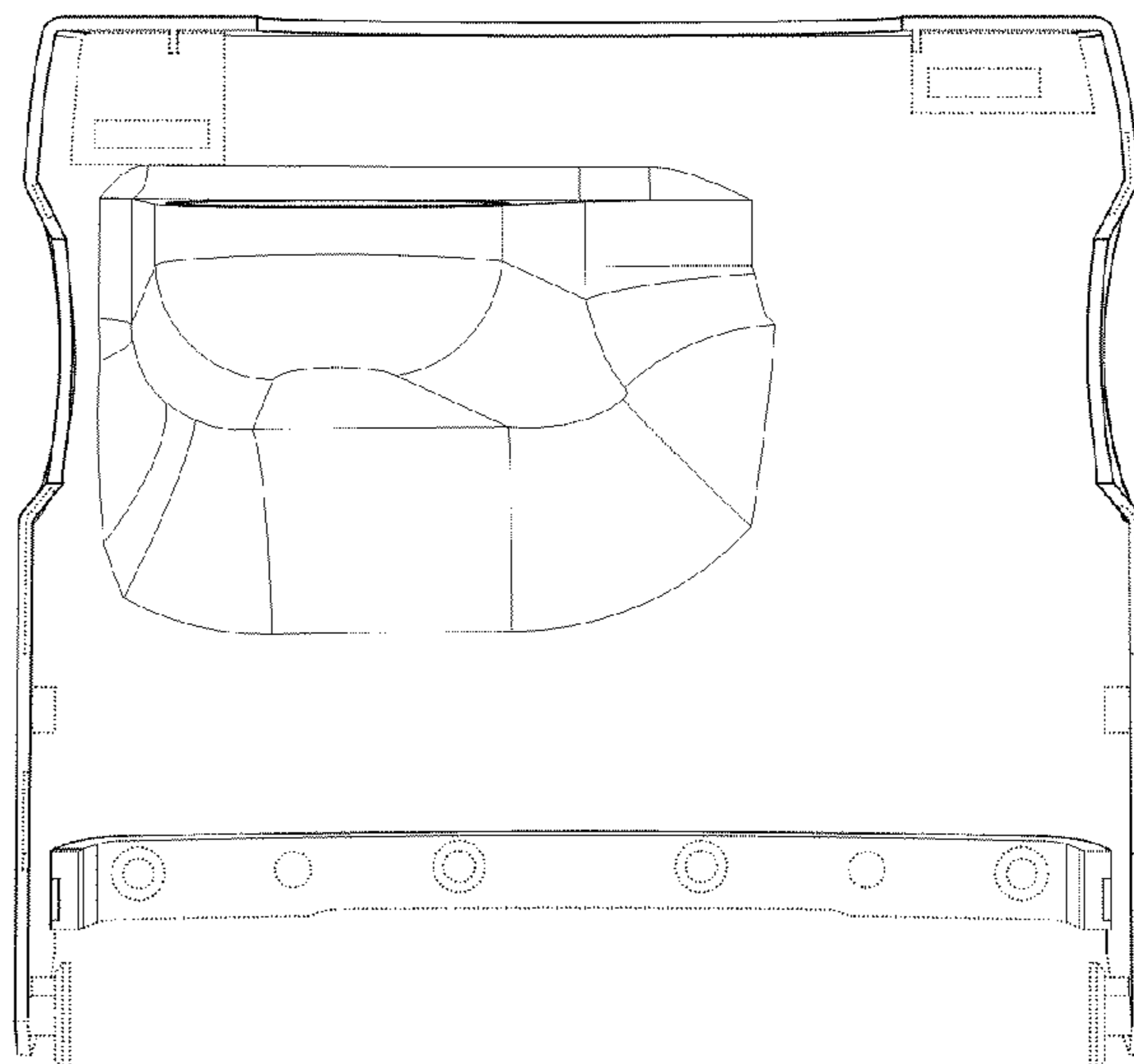


FIGURE-6

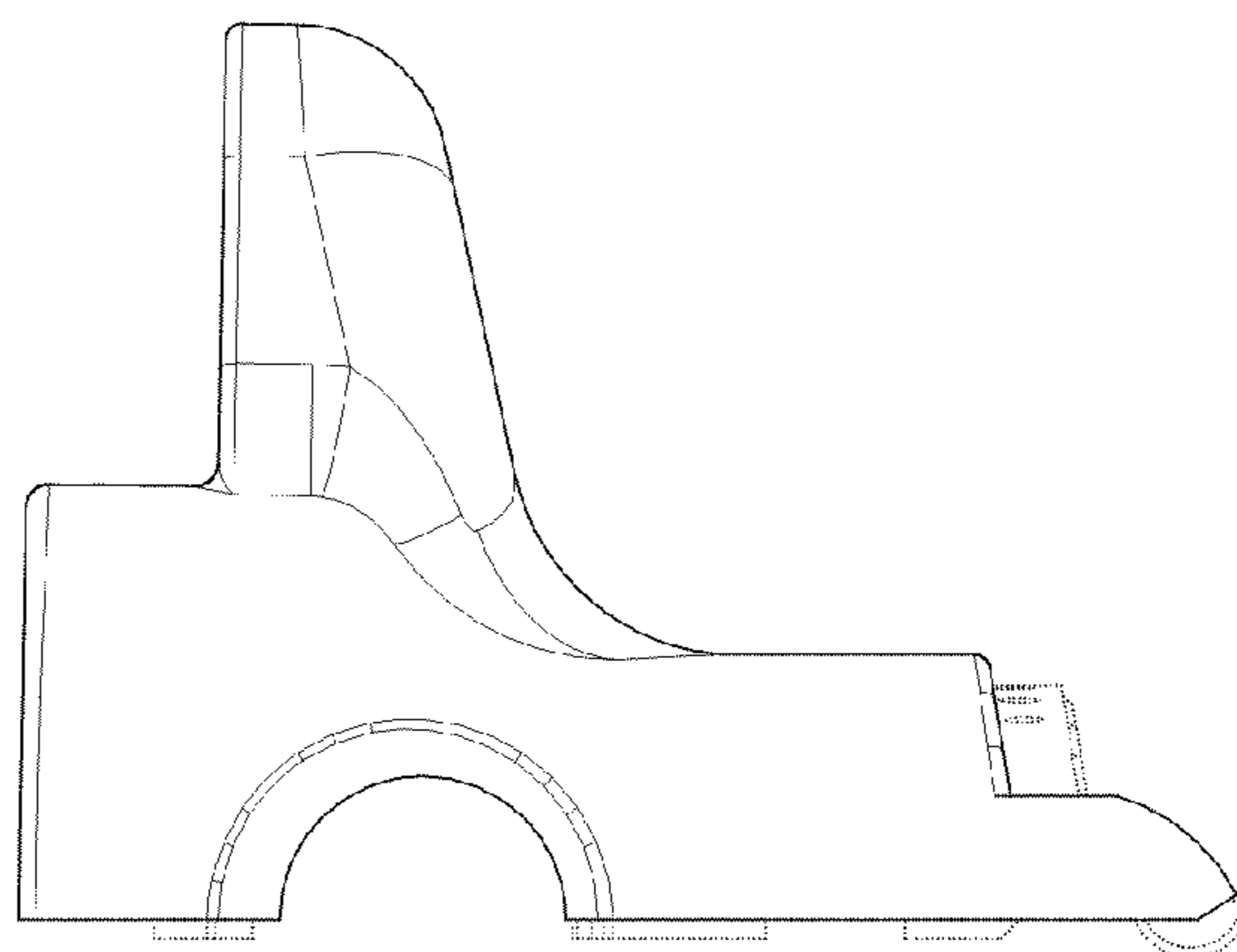


FIGURE-7

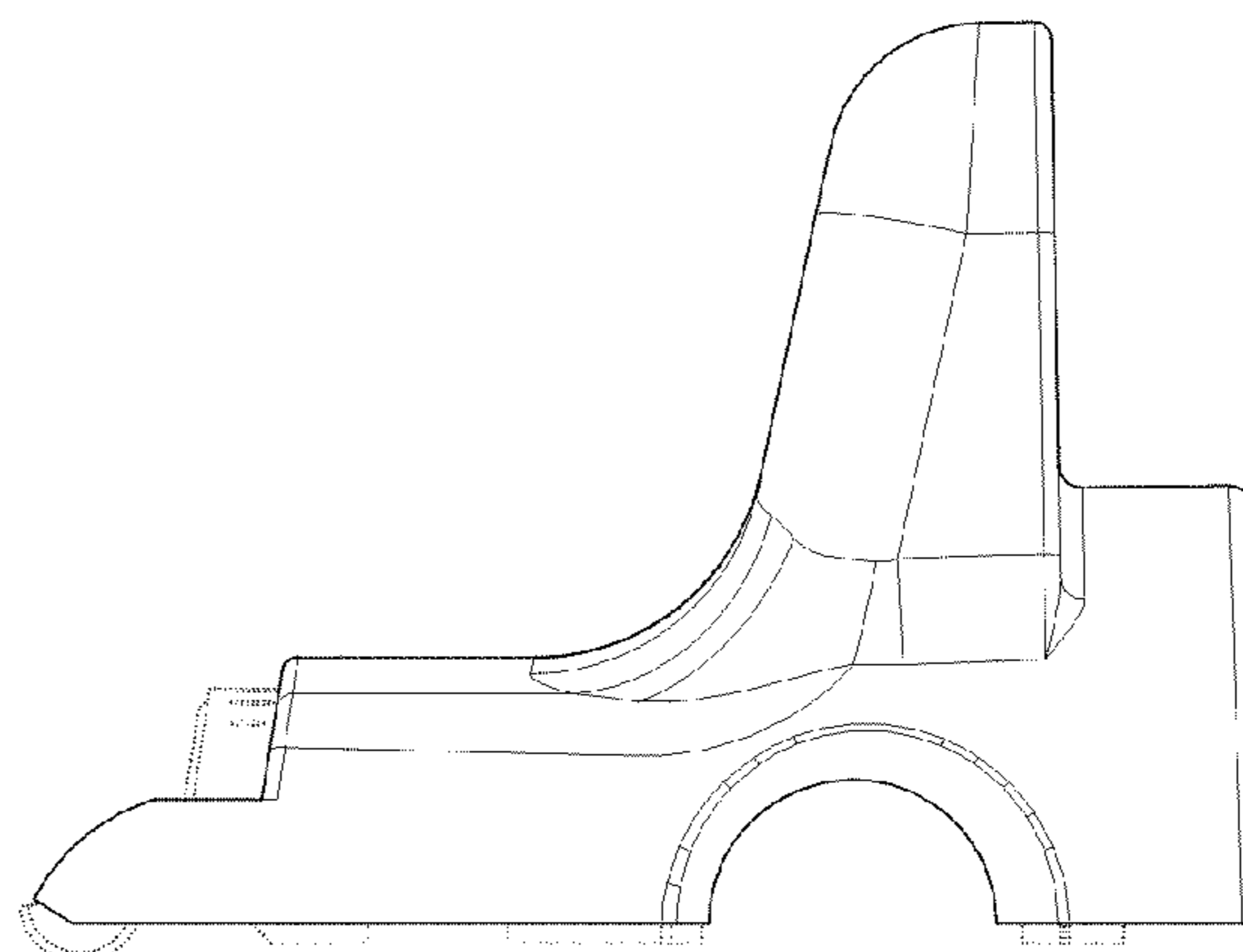


FIGURE-8

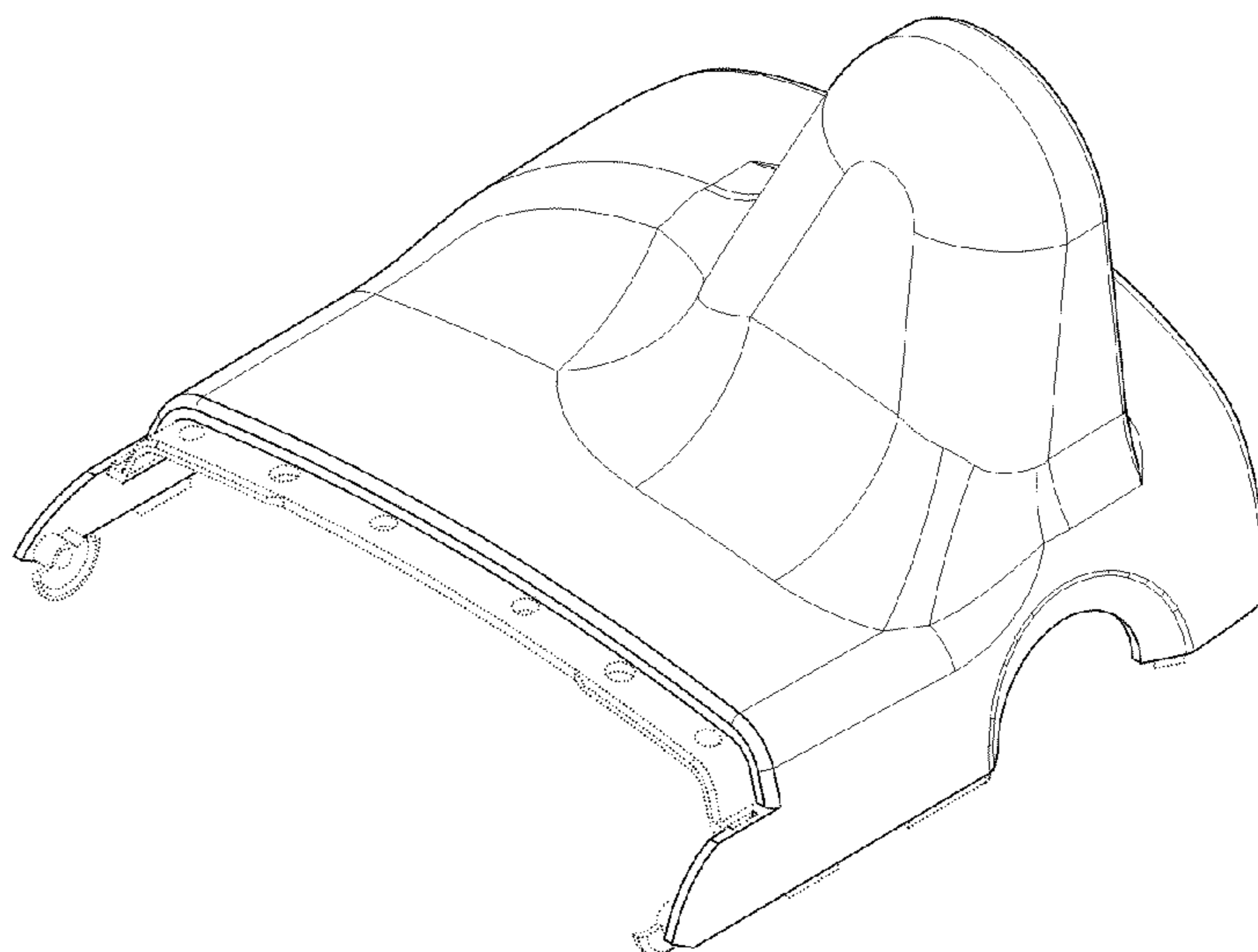


FIGURE-9

