



US00D643790S

(12) **United States Design Patent**
Drake

(10) **Patent No.:** **US D643,790 S**

(45) **Date of Patent:** **** Aug. 23, 2011**

(54) **PEDAL PAD**

(76) **Inventor:** **Robert Allen Drake**, Grants Pass, OR
(US)

(**) **Term:** **14 Years**

(21) **Appl. No.:** **29/378,134**

(22) **Filed:** **Oct. 29, 2010**

Related U.S. Application Data

(62) Division of application No. 29/351,433, filed on Dec. 4, 2009, now Pat. No. Des. 633,420.

(51) **LOC (9) Cl.** **12-16**

(52) **U.S. Cl.** **D12/174**

(58) **Field of Classification Search** D12/174;
74/560-563, 594.4; 280/259, 291; 403/257
See application file for complete search history.

(56) **References Cited**

U.S. PATENT DOCUMENTS

4,450,733 A * 5/1984 Rantapaa 74/562
D325,628 S * 4/1992 Cho D23/370

D443,569 S * 6/2001 Jindo D12/174
D452,467 S * 12/2001 Lane D12/174
7,240,582 B1 * 7/2007 Manaras et al. 74/567
D590,309 S * 4/2009 Higashikawa D12/174

* cited by examiner

Primary Examiner — Melody N Brown

(74) *Attorney, Agent, or Firm* — Jerry Haynes Law

(57) **CLAIM**

The ornamental design for a pedal pad, as shown and described.

DESCRIPTION

FIG. 1 is a perspective view of a pedal pad showing our new design;

FIG. 2 is a front elevation view thereof;

FIG. 3 is a rear elevation view thereof;

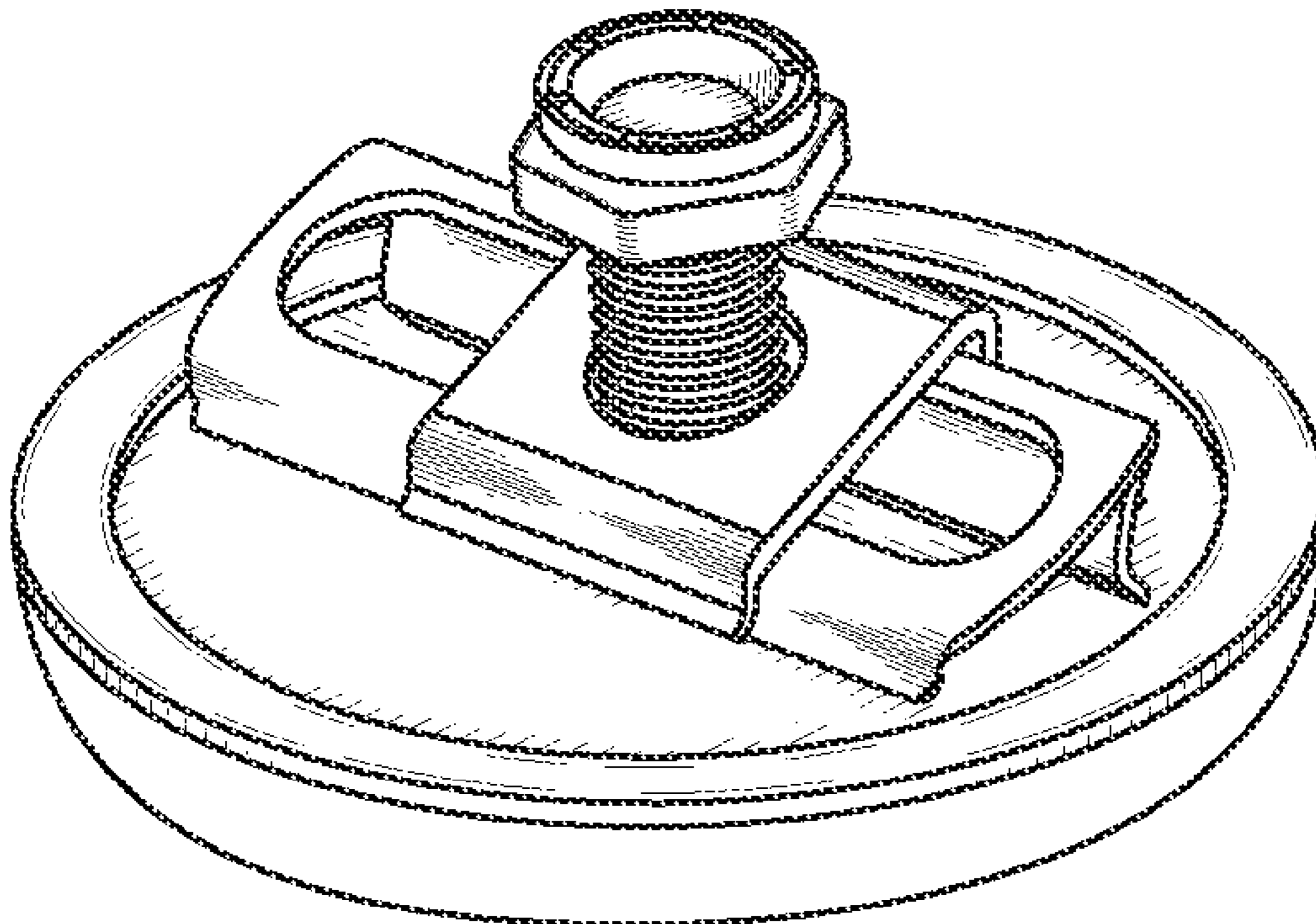
FIG. 4 is a left side elevation view thereof;

FIG. 5 is a right side elevation view thereof;

FIG. 6 is a bottom plan view thereof; and,

FIG. 7 is a top plan view thereof.

1 Claim, 2 Drawing Sheets



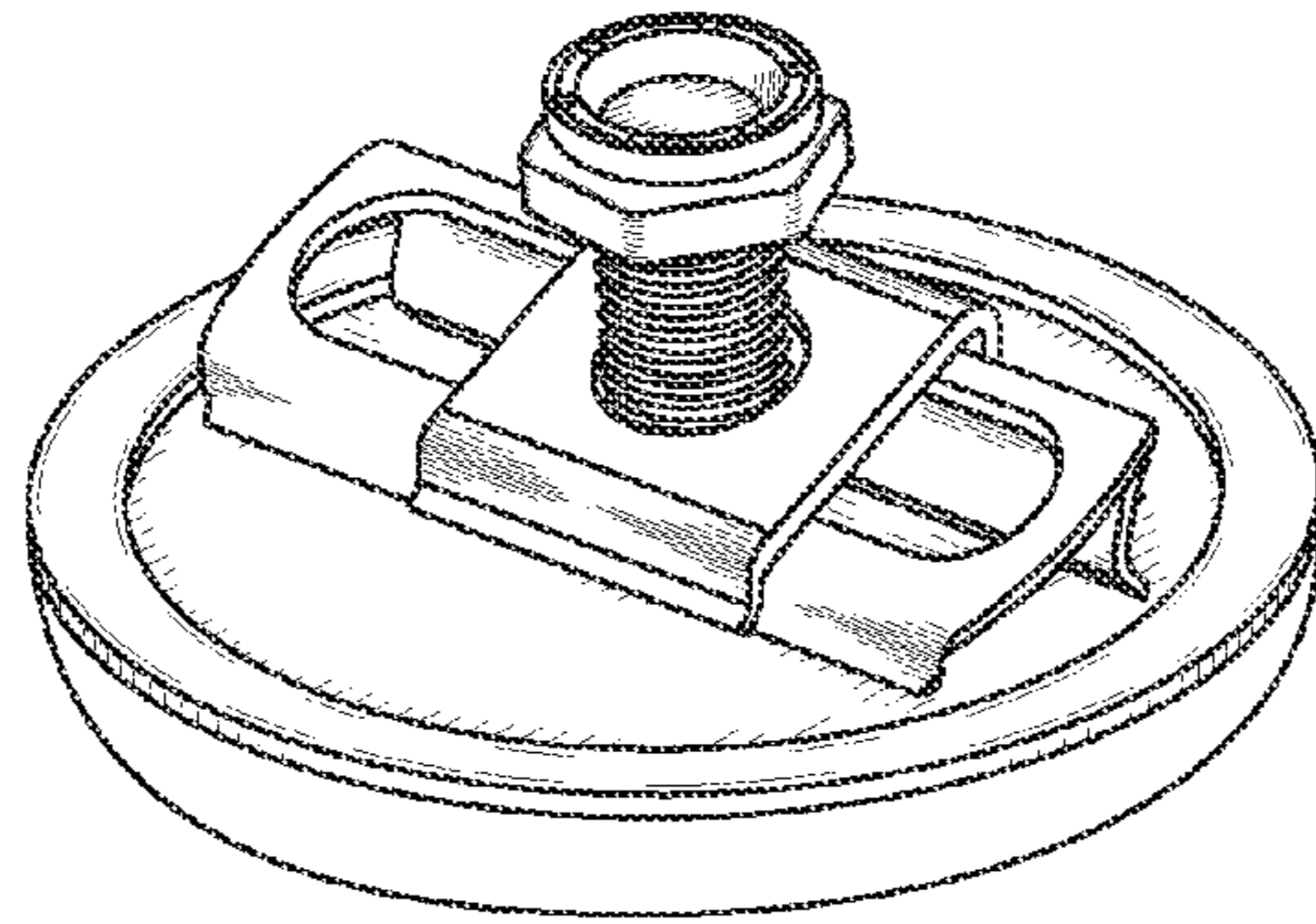


FIG. 1

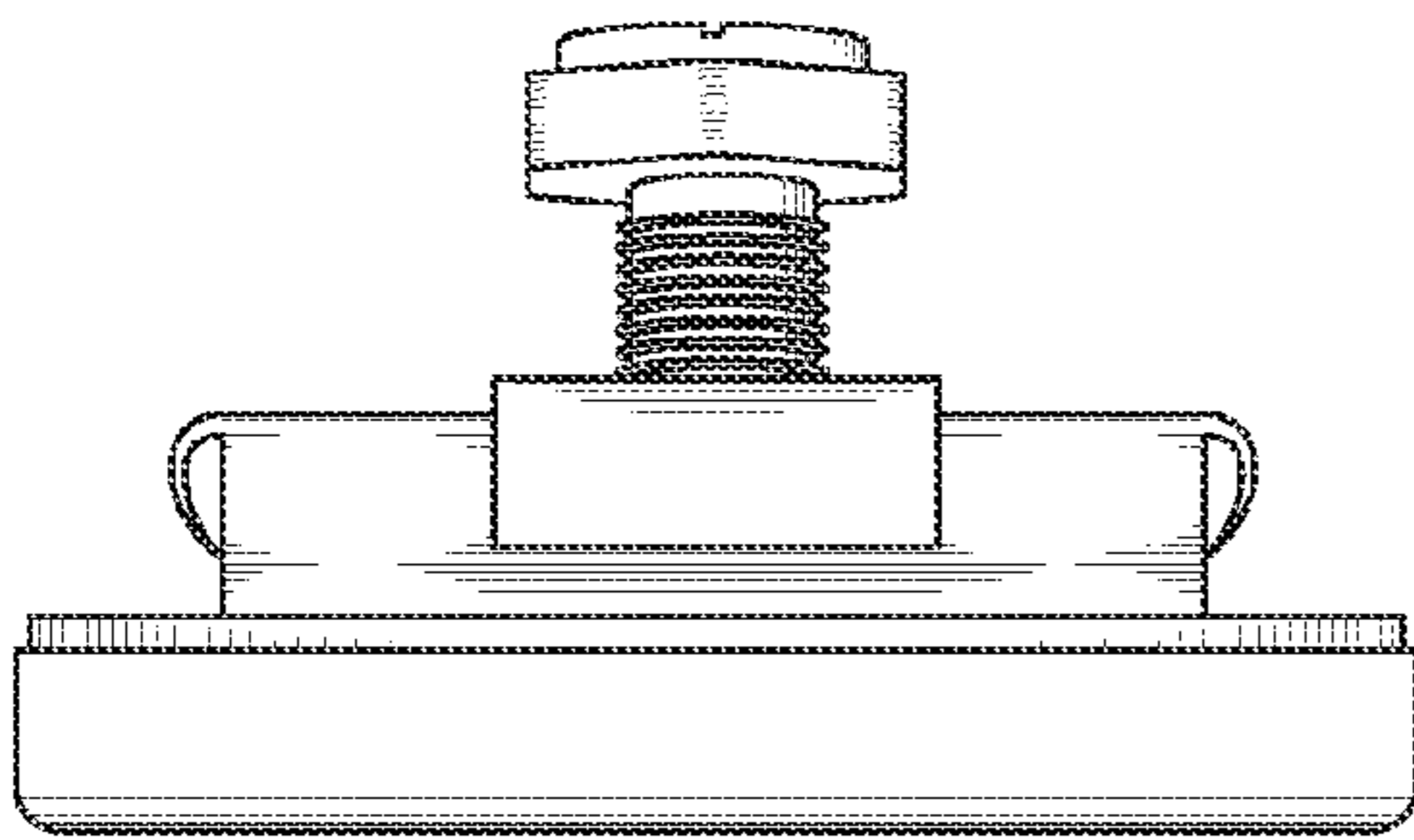


FIG. 2

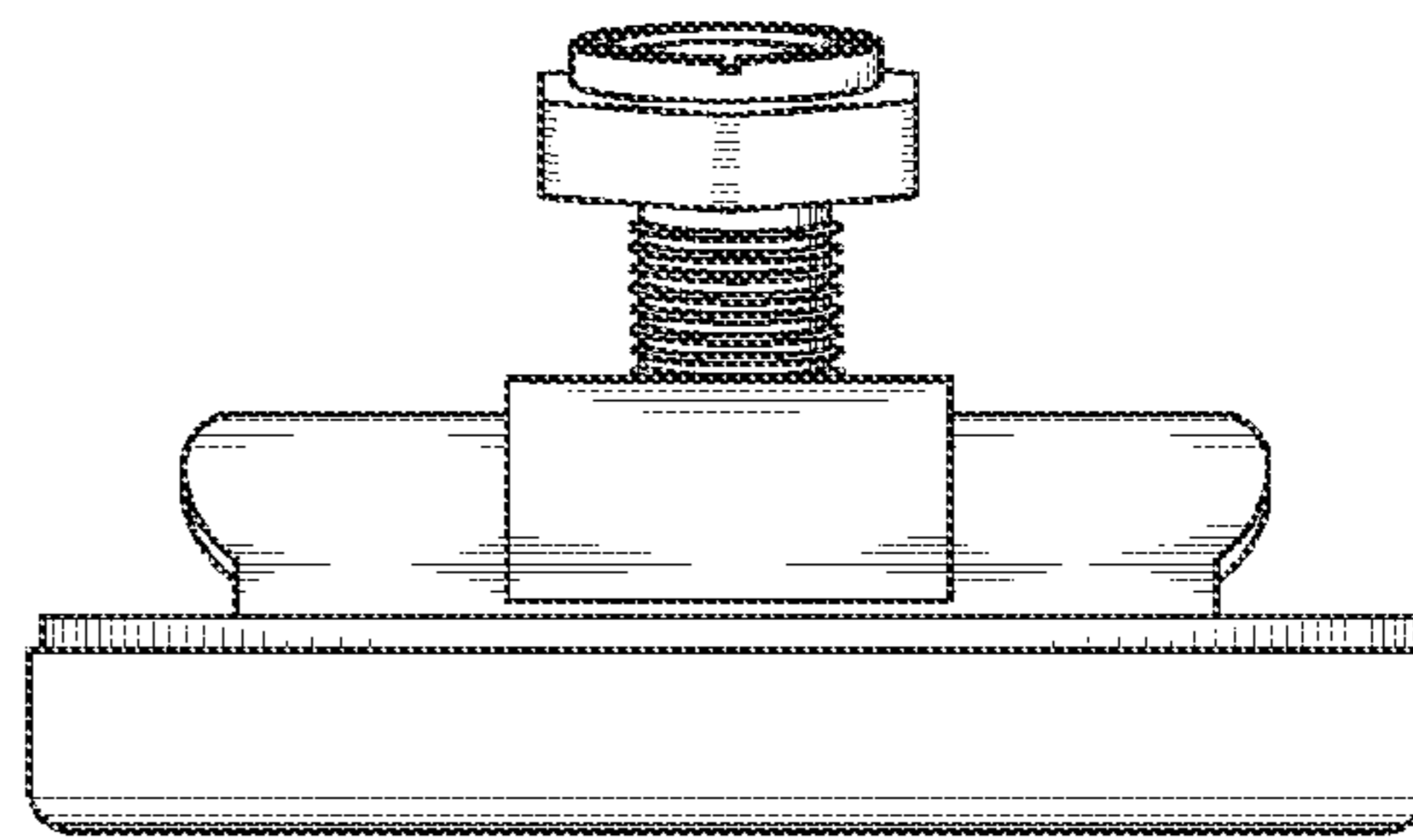


FIG. 3

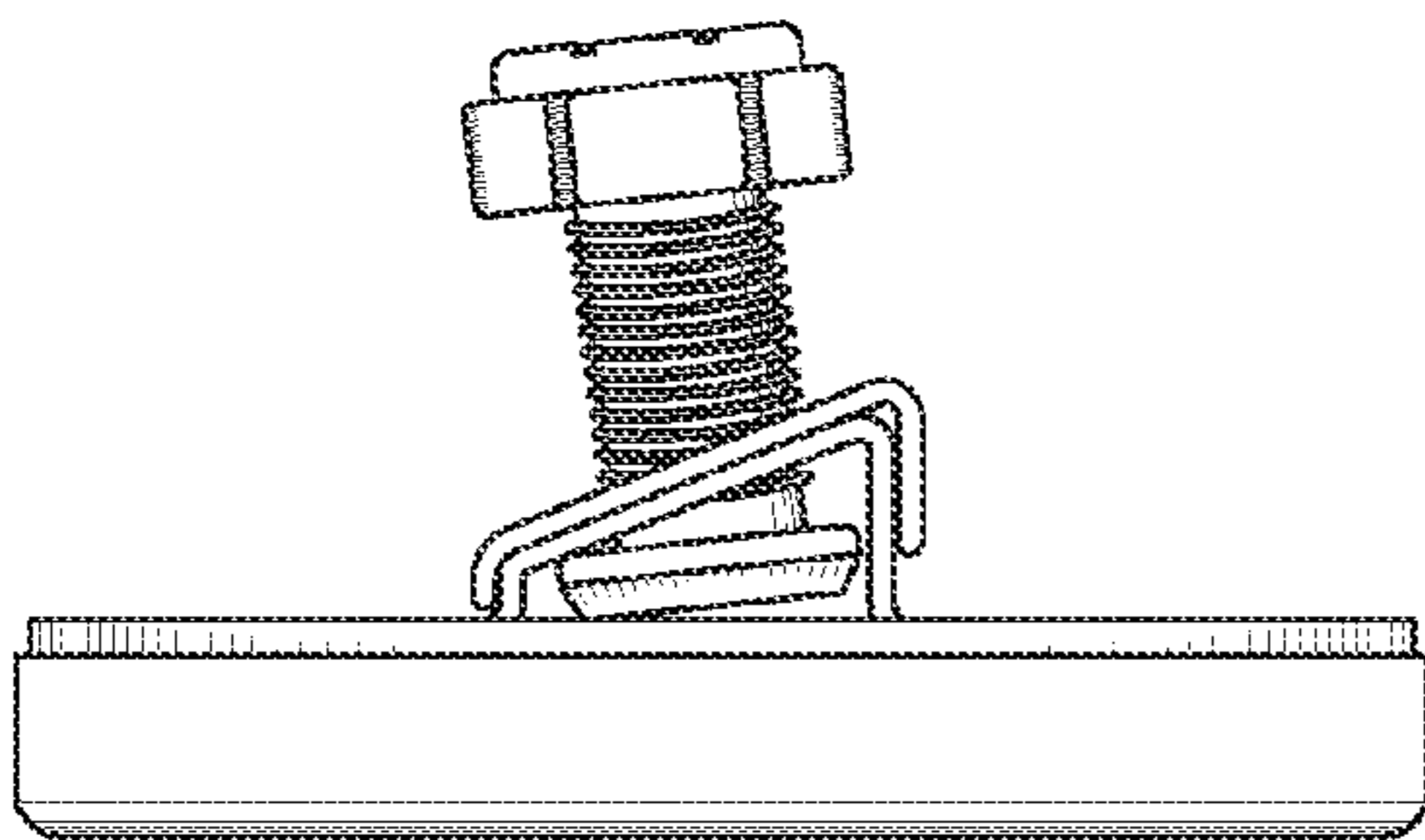


FIG. 4

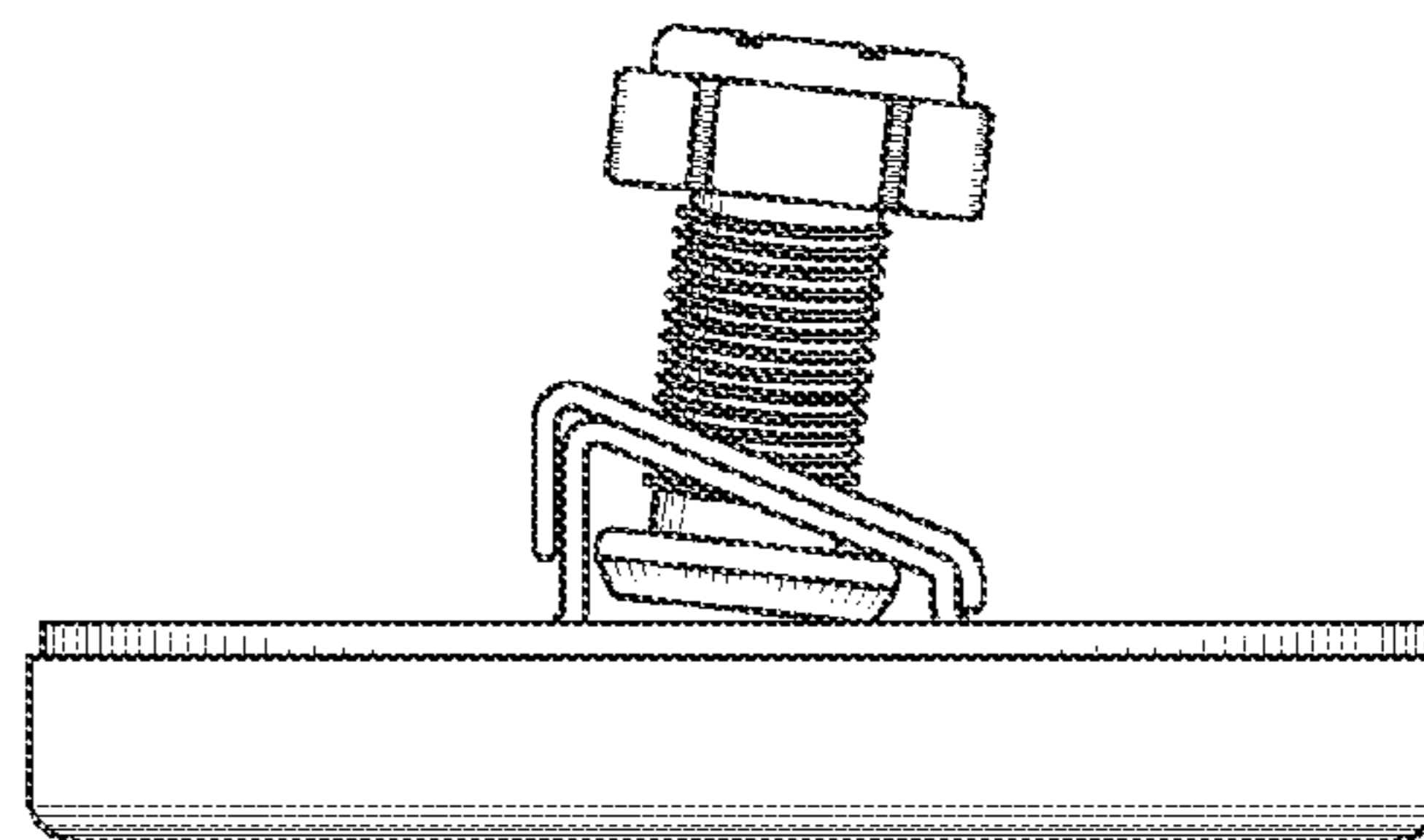


FIG. 5

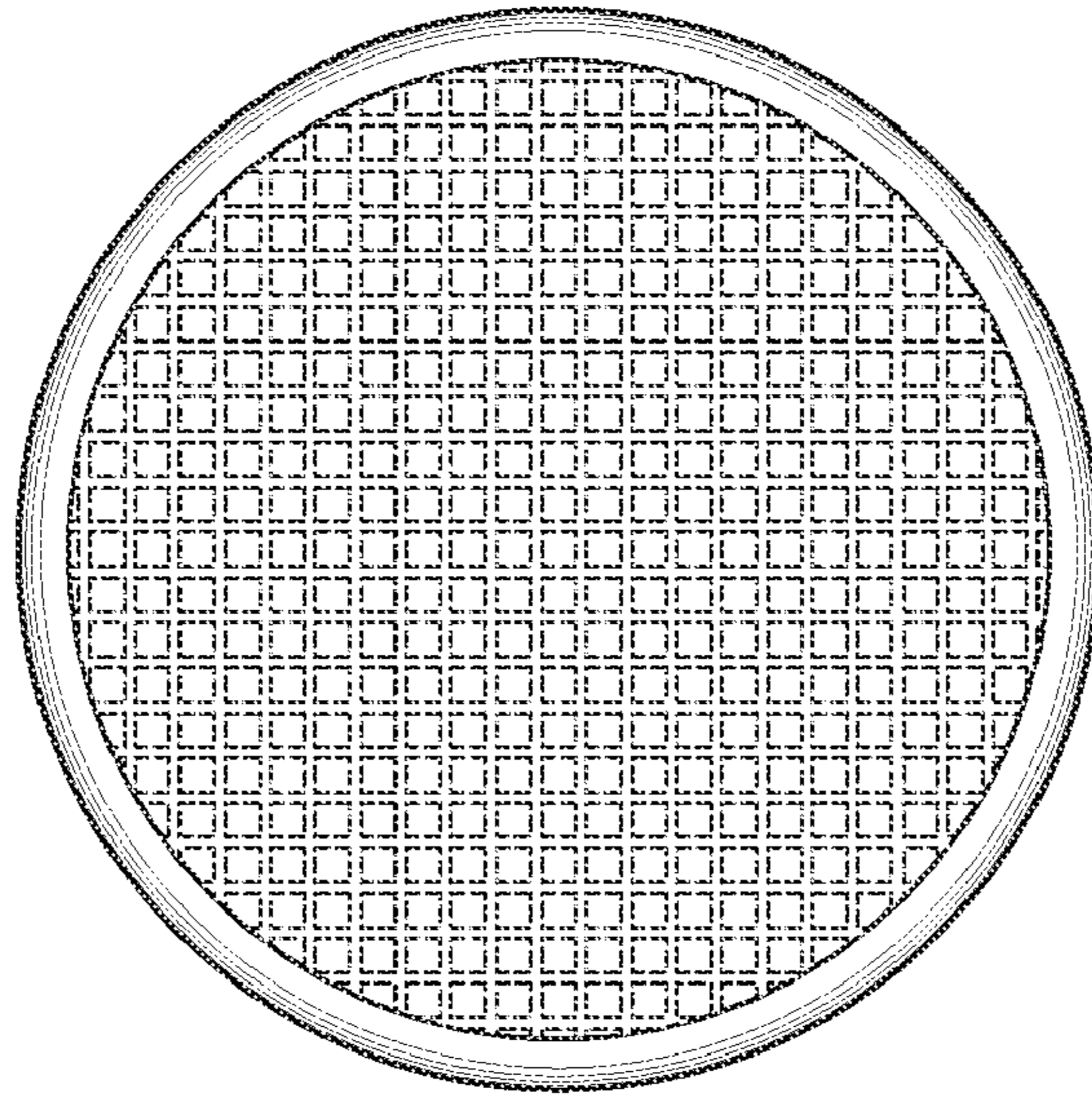


FIG. 6

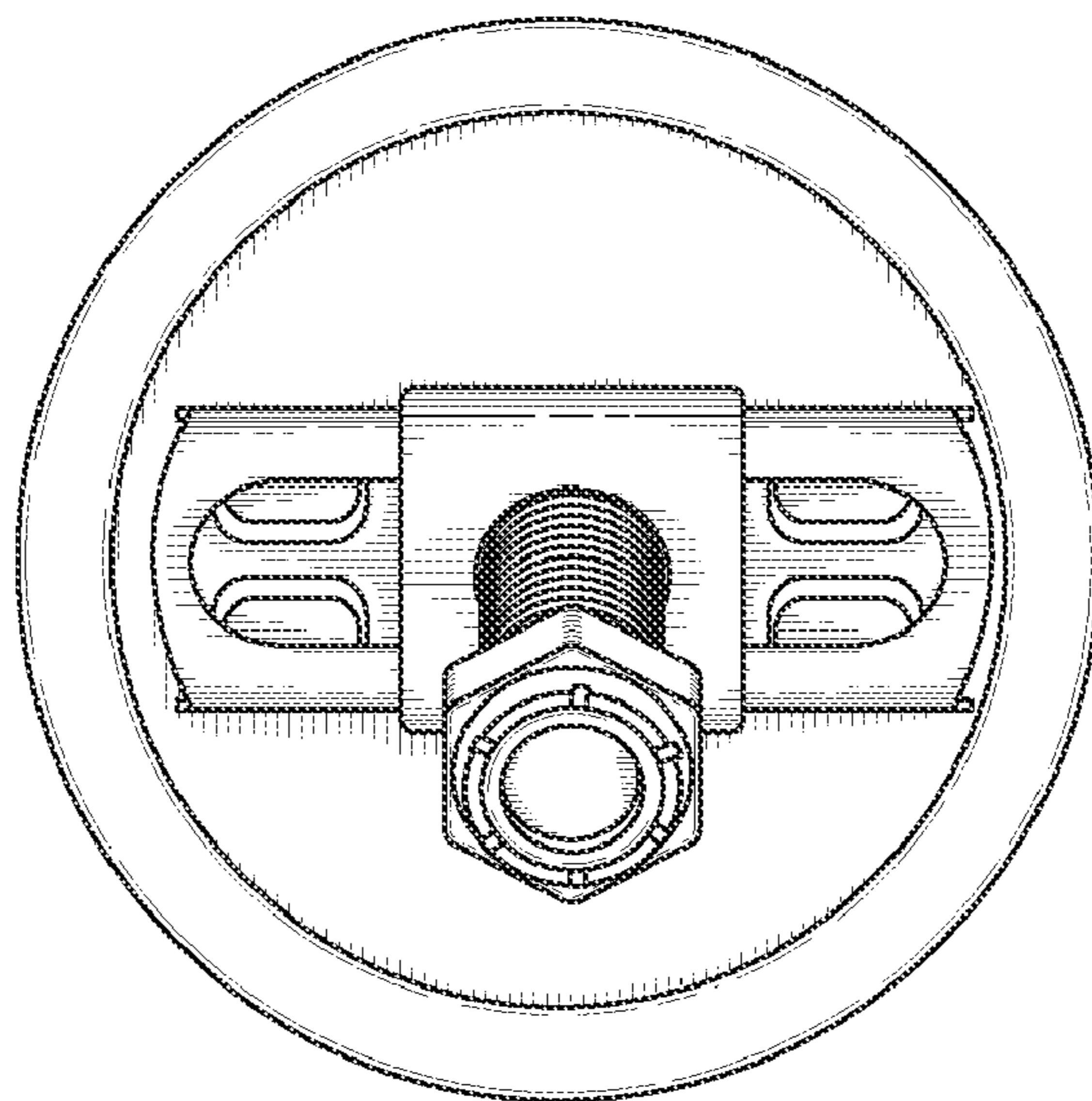


FIG. 7