



US00D643779S

(12) **United States Design Patent**
Di Girolami et al.

(10) **Patent No.:** **US D643,779 S**

(45) **Date of Patent:** **** Aug. 23, 2011**

(54) **SLIDER FOR SLIDE FASTENER**

(56) **References Cited**

(75) Inventors: **Massimiliano Di Girolami**, Ascoli
Piceno (IT); **Takashi Kimoto**, Tokyo
(JP)

U.S. PATENT DOCUMENTS

D497,570 S *	10/2004	Iwase	D11/221
D558,091 S *	12/2007	Cossutti	D11/221
D608,247 S *	1/2010	Keyaki et al.	D11/221
D629,332 S *	12/2010	Miyazaki et al.	D11/221
D629,333 S *	12/2010	Miyazaki et al.	D11/221
D631,790 S *	2/2011	Keyaki et al.	D11/221

(73) Assignee: **YKK Corporation** (JP)

* cited by examiner

(**) Term: **14 Years**

Primary Examiner — Ralf Seifert

(21) Appl. No.: **29/386,511**

(74) *Attorney, Agent, or Firm* — Kilpatrick Townsend &
Stockton LLP

(22) Filed: **Mar. 2, 2011**

(57) **CLAIM**

The ornamental design for a slider for slider fastener, as shown and described.

(30) **Foreign Application Priority Data**

DESCRIPTION

Sep. 3, 2010 (EM) 001750472-0001

(51) **LOC (9) Cl.** **02-07**

(52) **U.S. Cl.** **D11/221**

(58) **Field of Classification Search** D11/200,
D11/201, 221; 24/381–383, 385–387, 414–417,
24/421–422, 427–431, 433; 2/265

FIG. 1 is a perspective view of the front, bottom and right side of a slider for slider fastener showing my (our) new design; FIG. 2 is a front view thereof; FIG. 3 is a rear view thereof; FIG. 4 is a top plan view thereof; FIG. 5 is a bottom view thereof; FIG. 6 is a left side view thereof; and, FIG. 7 is a right side view thereof.

See application file for complete search history.

1 Claim, 6 Drawing Sheets

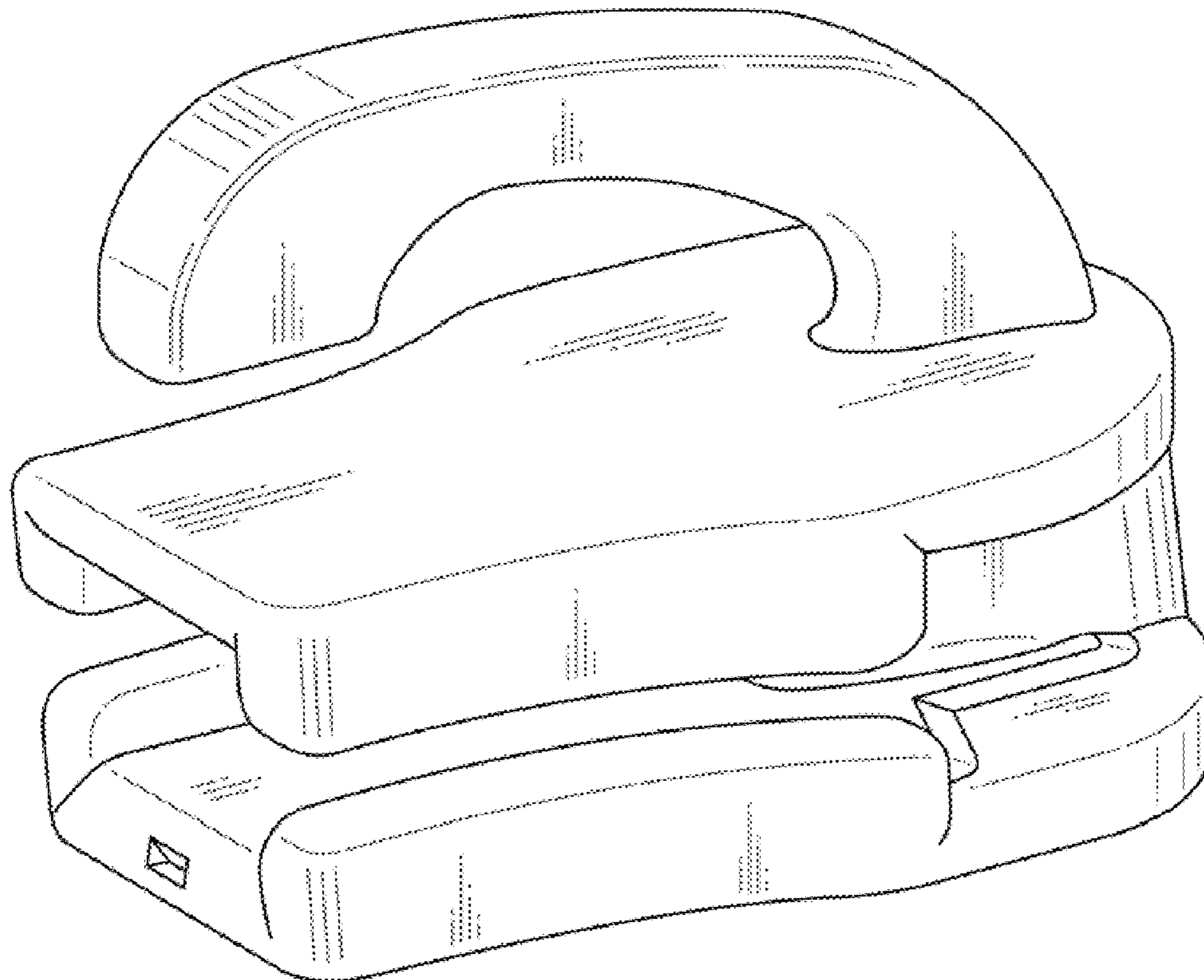


Fig. 1

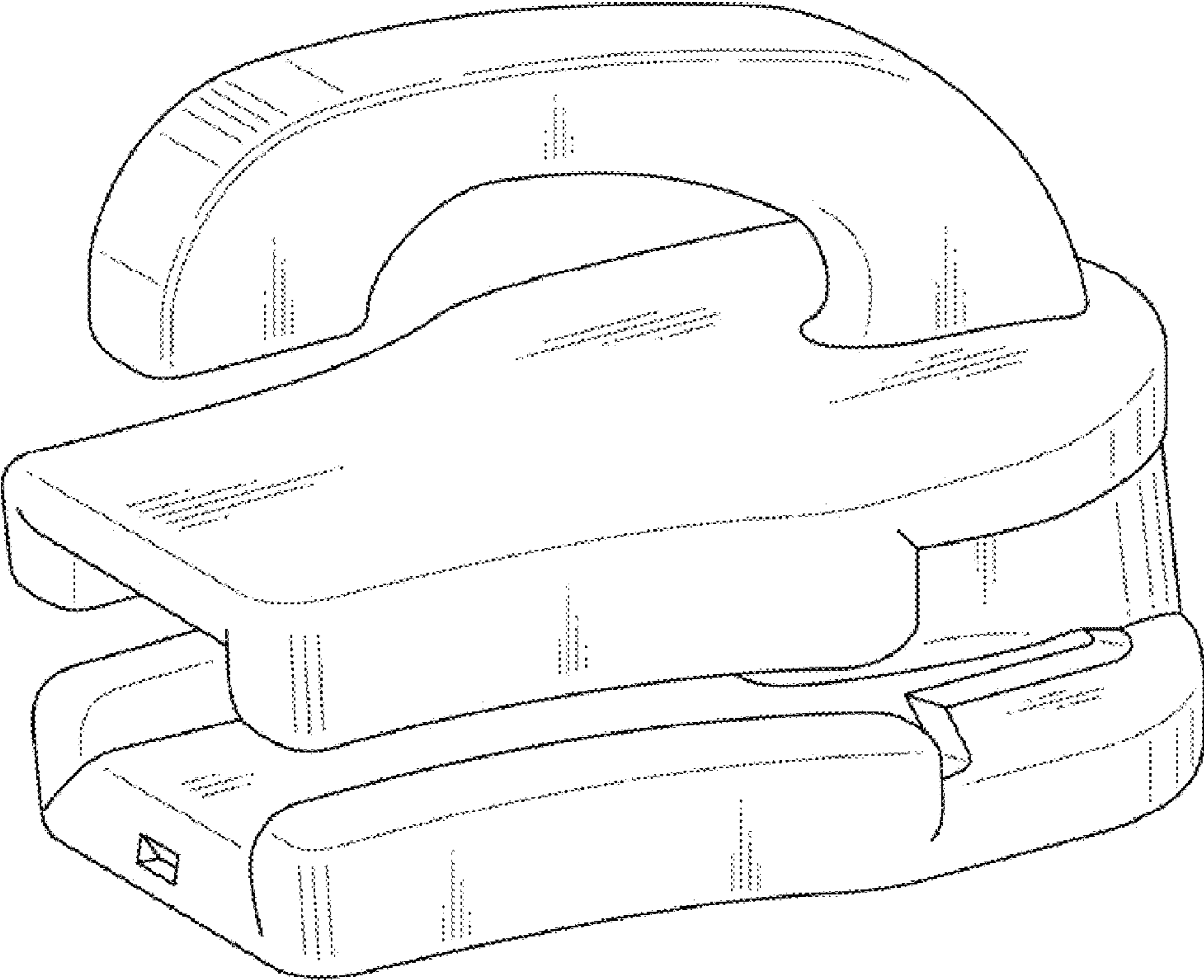


Fig. 2

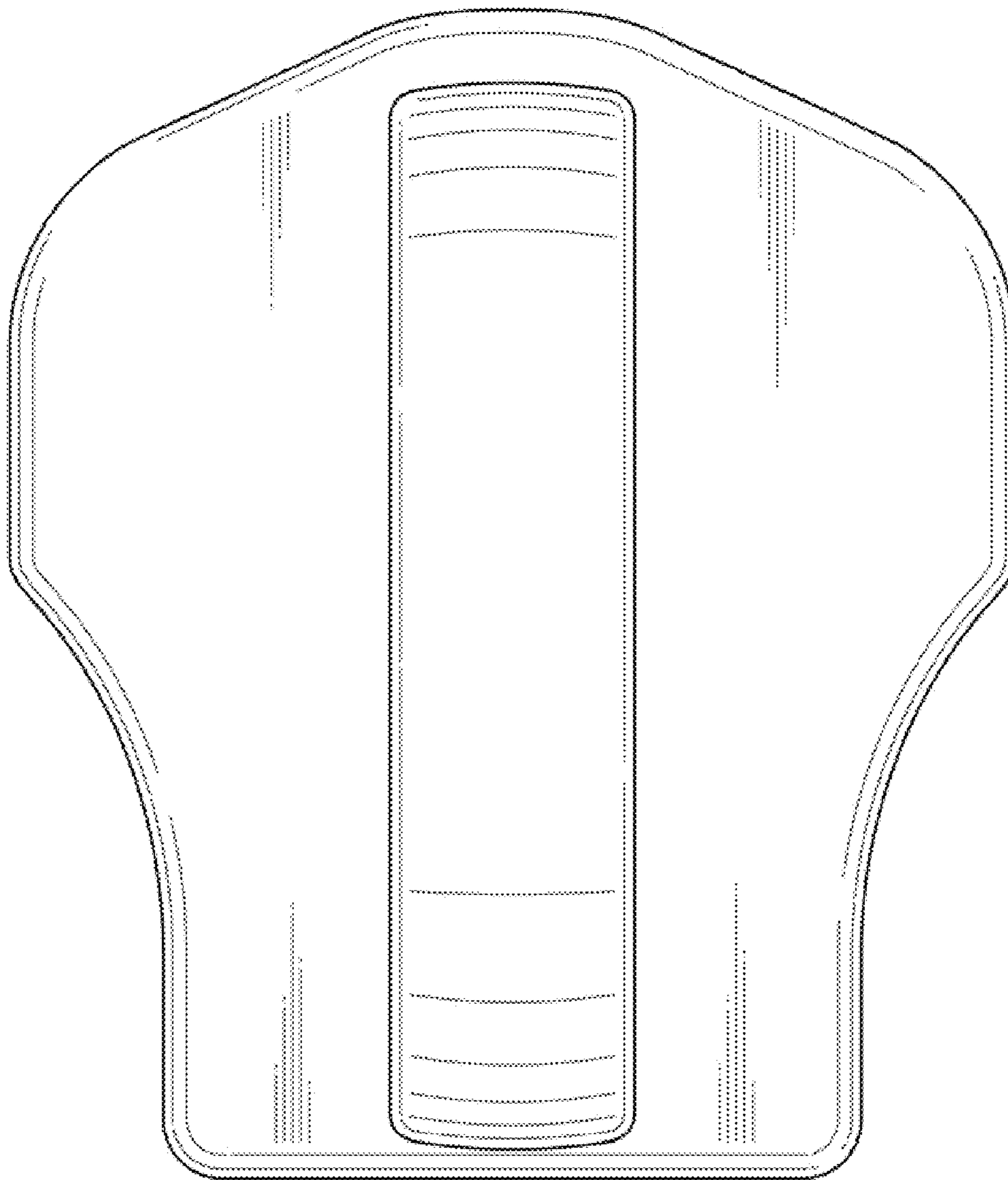


Fig. 3

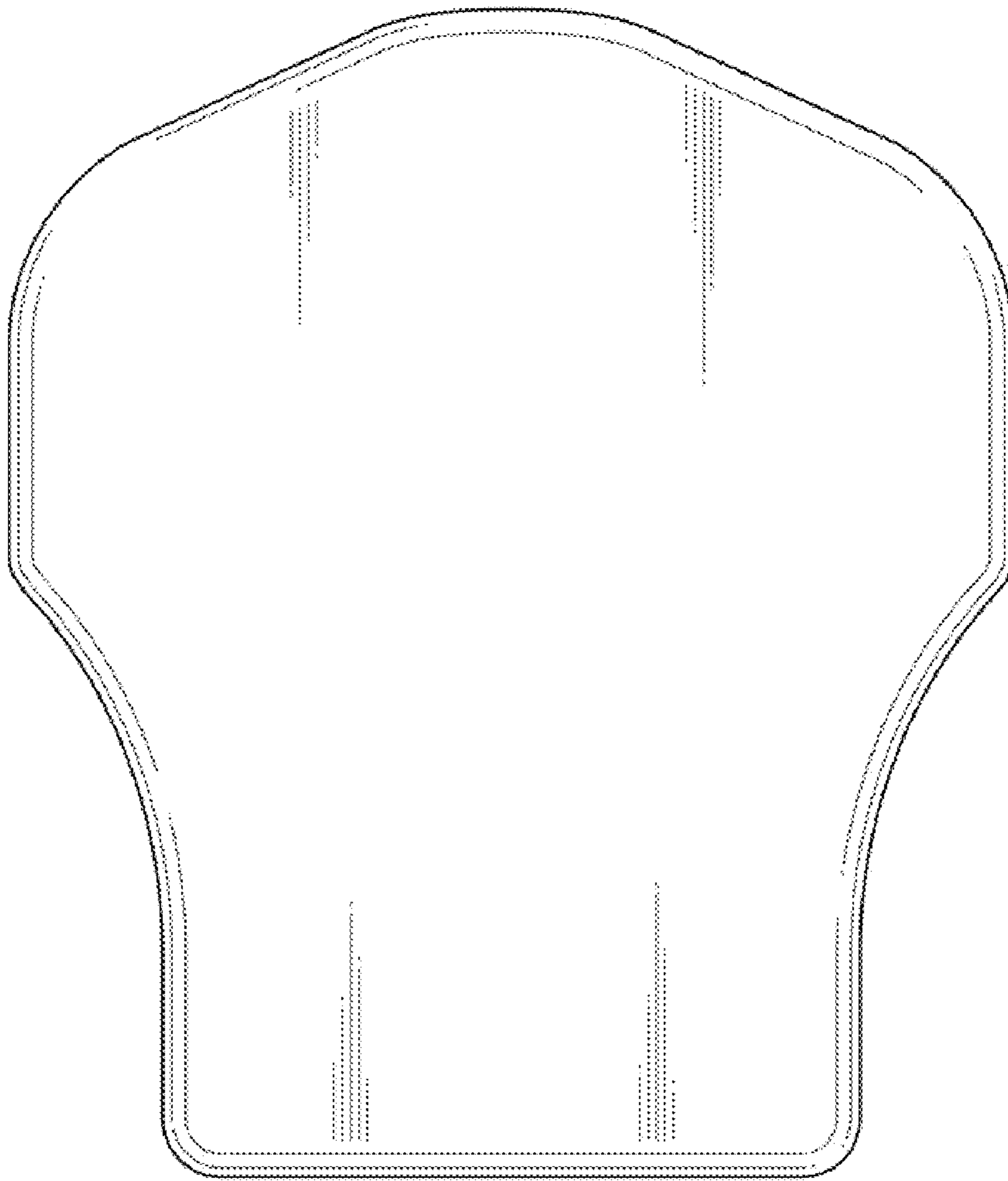


Fig. 4

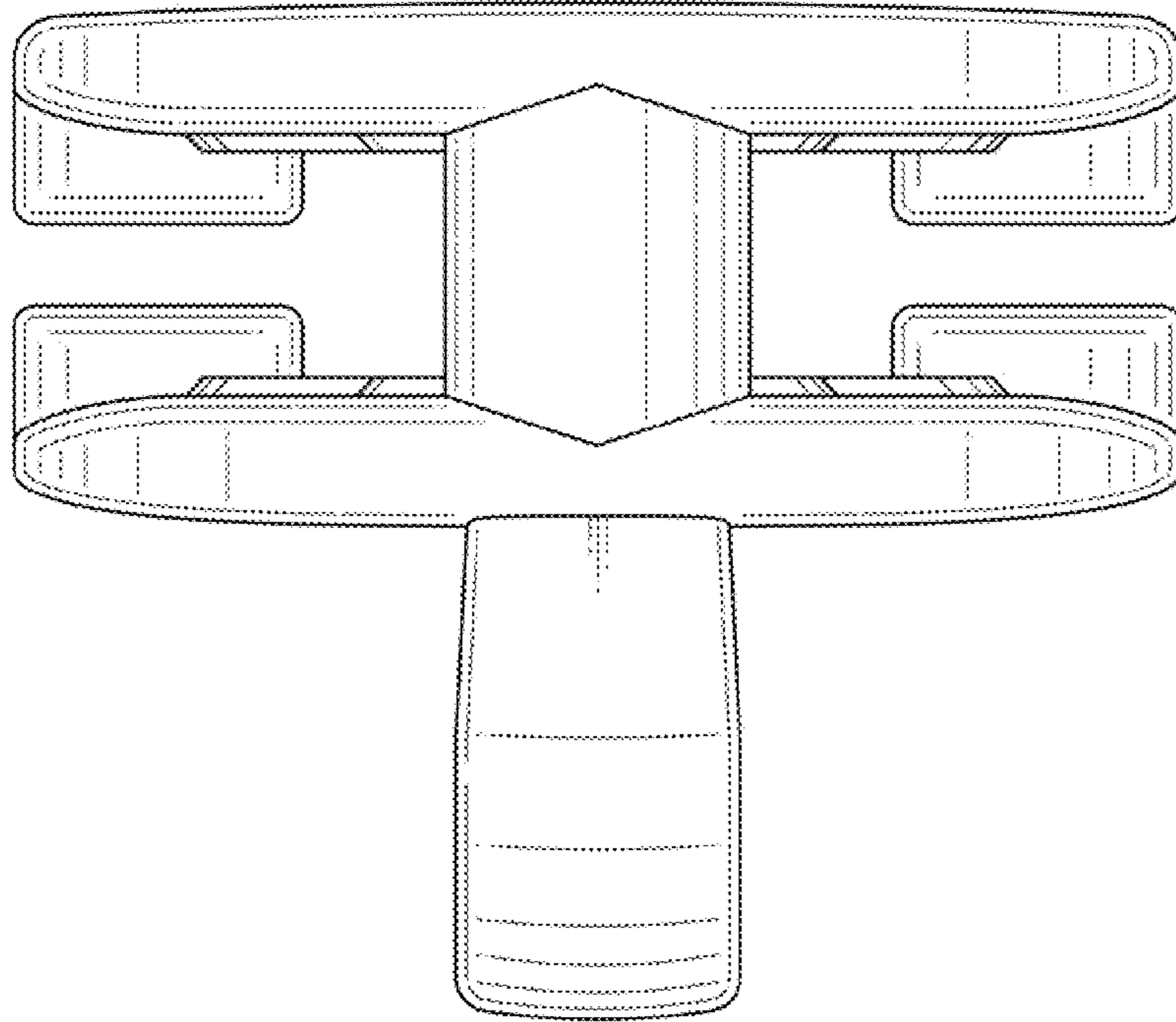


Fig. 5

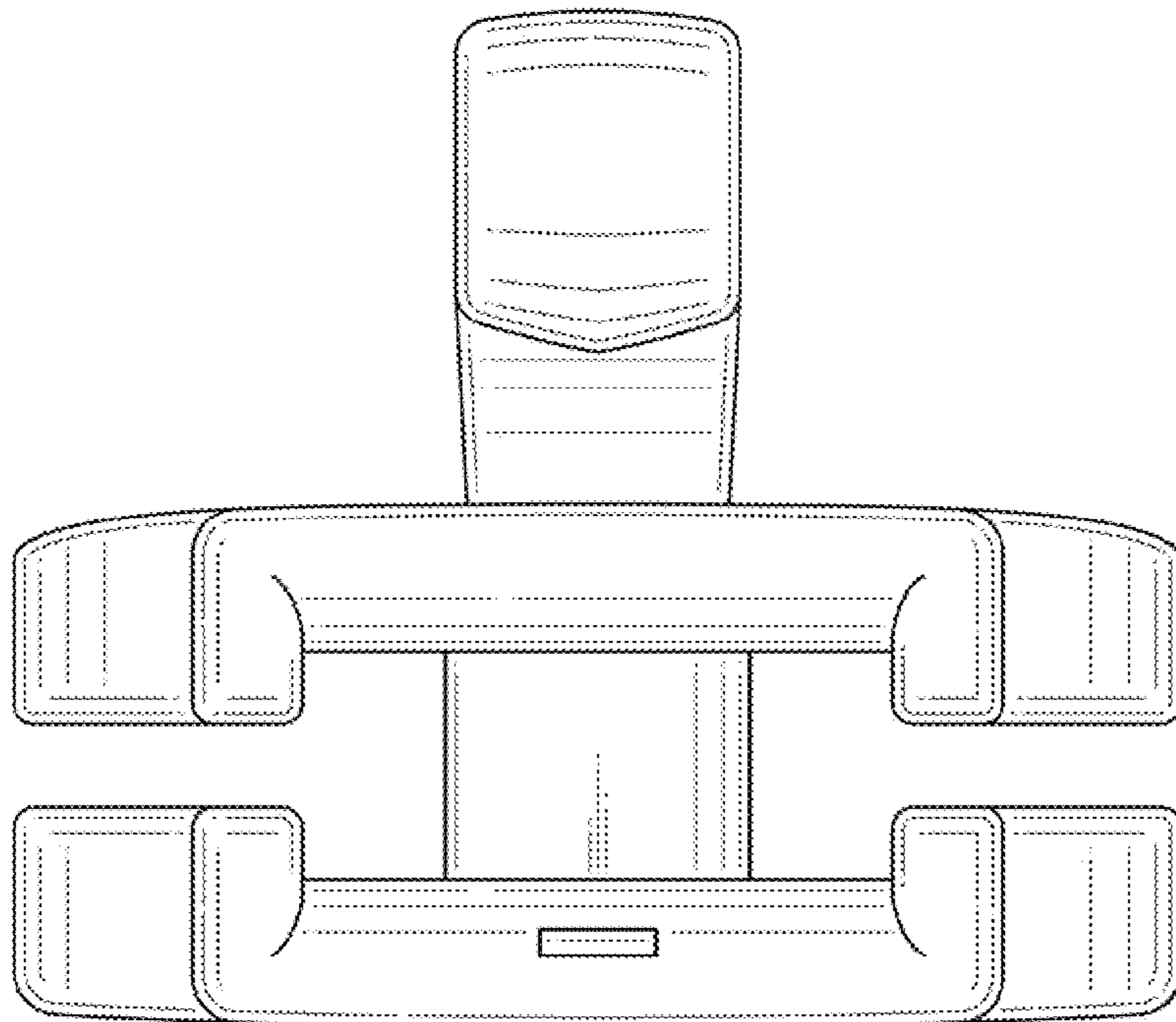


Fig. 6

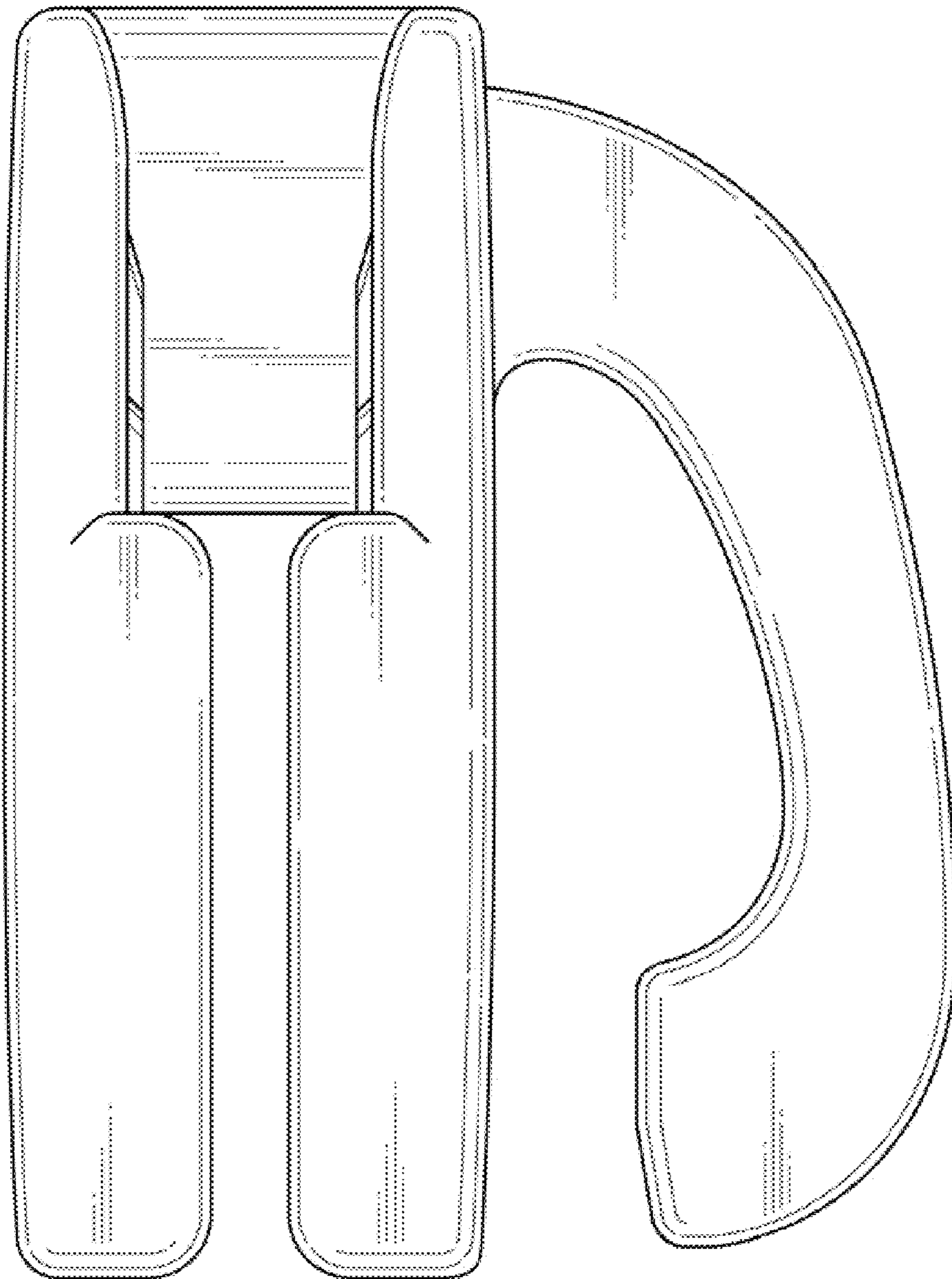


Fig. 7

