



US00D643777S

(12) **United States Design Patent**  
**Iwase**

(10) **Patent No.:** **US D643,777 S**

(45) **Date of Patent:** **\*\* Aug. 23, 2011**

(54) **SLIDER FOR SLIDE FASTENER**

(75) Inventor: **Yuichi Iwase**, Toyama-Ken (JP)

(73) Assignee: **YKK Corporation** (JP)

(\*\*) Term: **14 Years**

(21) Appl. No.: **29/377,782**

(22) Filed: **Oct. 26, 2010**

(30) **Foreign Application Priority Data**

Apr. 26, 2010 (JP) ..... 2010-010383

(51) **LOC (9) Cl.** ..... **02-07**

(52) **U.S. Cl.** ..... **D11/221**

(58) **Field of Classification Search** ..... D11/200,  
D11/201, 221; 24/381-383, 385-387, 414-417,  
24/421-422, 427-431, 433; 2/265  
See application file for complete search history.

(56) **References Cited**

**U.S. PATENT DOCUMENTS**

- D497,836 S \* 11/2004 Iwase ..... D11/221
- D499,668 S \* 12/2004 Iwase ..... D11/221
- D509,770 S \* 9/2005 Hamada et al. .... D11/221
- D576,916 S \* 9/2008 Yamamoto ..... D11/221

\* cited by examiner

*Primary Examiner* — Ralf Seifert

(74) *Attorney, Agent, or Firm* — Kilpatrick Townsend & Stockton LLP

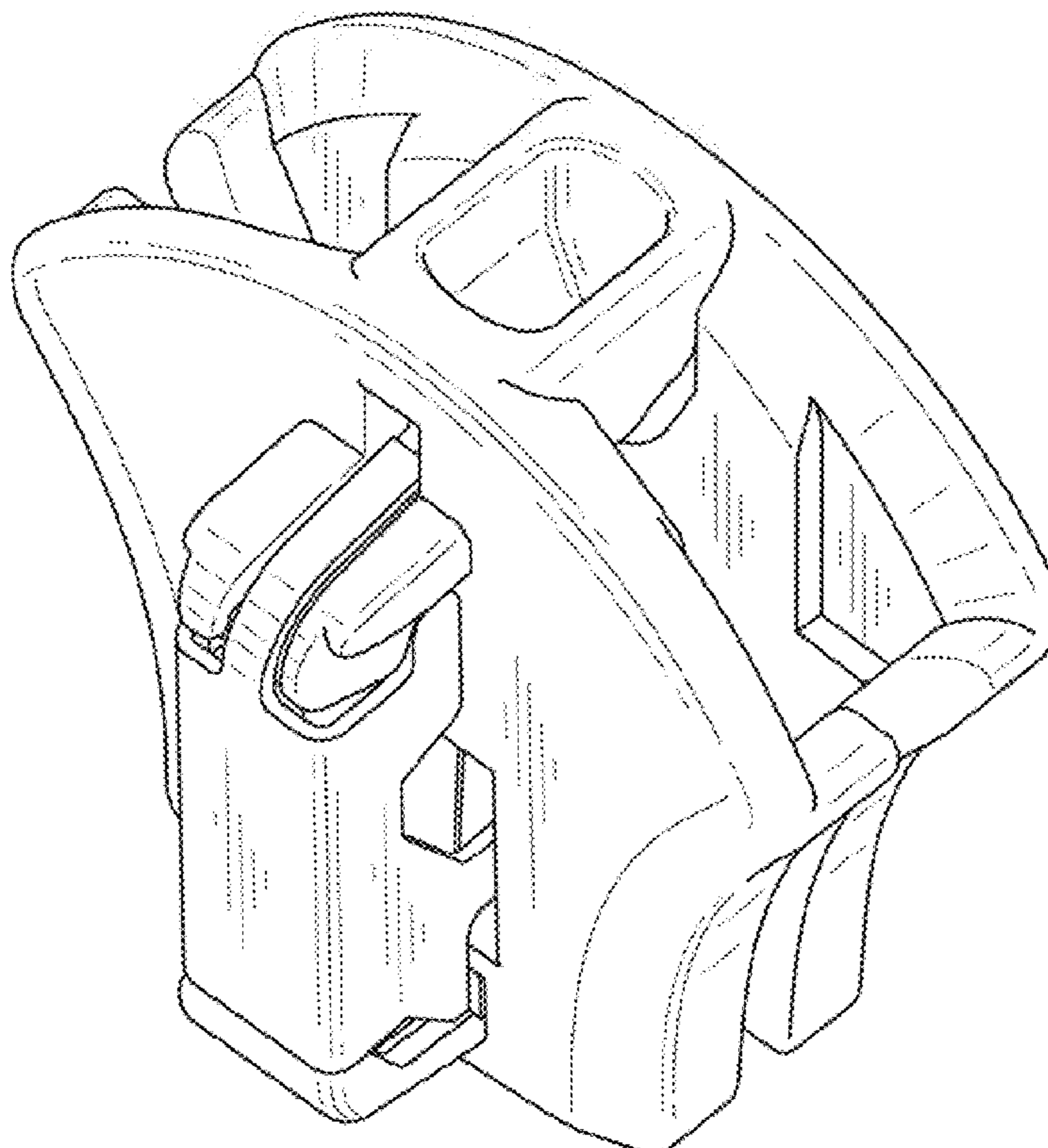
(57) **CLAIM**

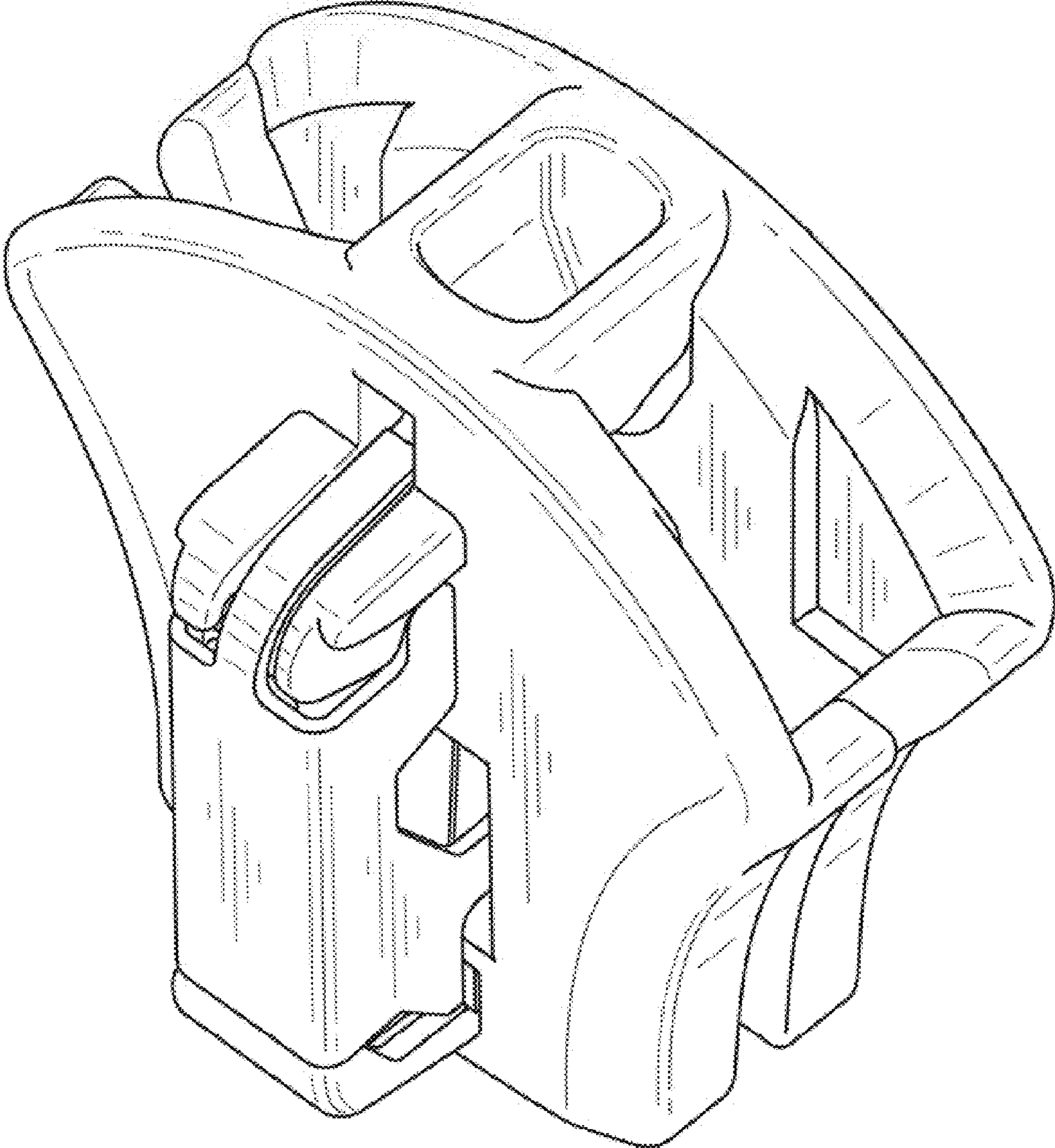
The ornamental design for a slider for slide fastener, as shown and described.

**DESCRIPTION**

FIG. 1 is a perspective view of the top, front and right of a slider for slide fastener showing my (our) new design;  
 FIG. 2 is a front view thereof;  
 FIG. 3 is a rear view thereof;  
 FIG. 4 is a top plan view thereof;  
 FIG. 5 is a bottom view thereof;  
 FIG. 6 is a right side view thereof, the left side view being mirror image thereof;  
 FIG. 7 is a cross sectional view thereof at 7-7 shown in FIG. 2; and,  
 FIG. 8 is a reference view of usage thereof.  
 The portions of the article in broken lines are shown for illustrative purposes only and form no part of the claimed design.

**1 Claim, 5 Drawing Sheets**





**FIG. 1**

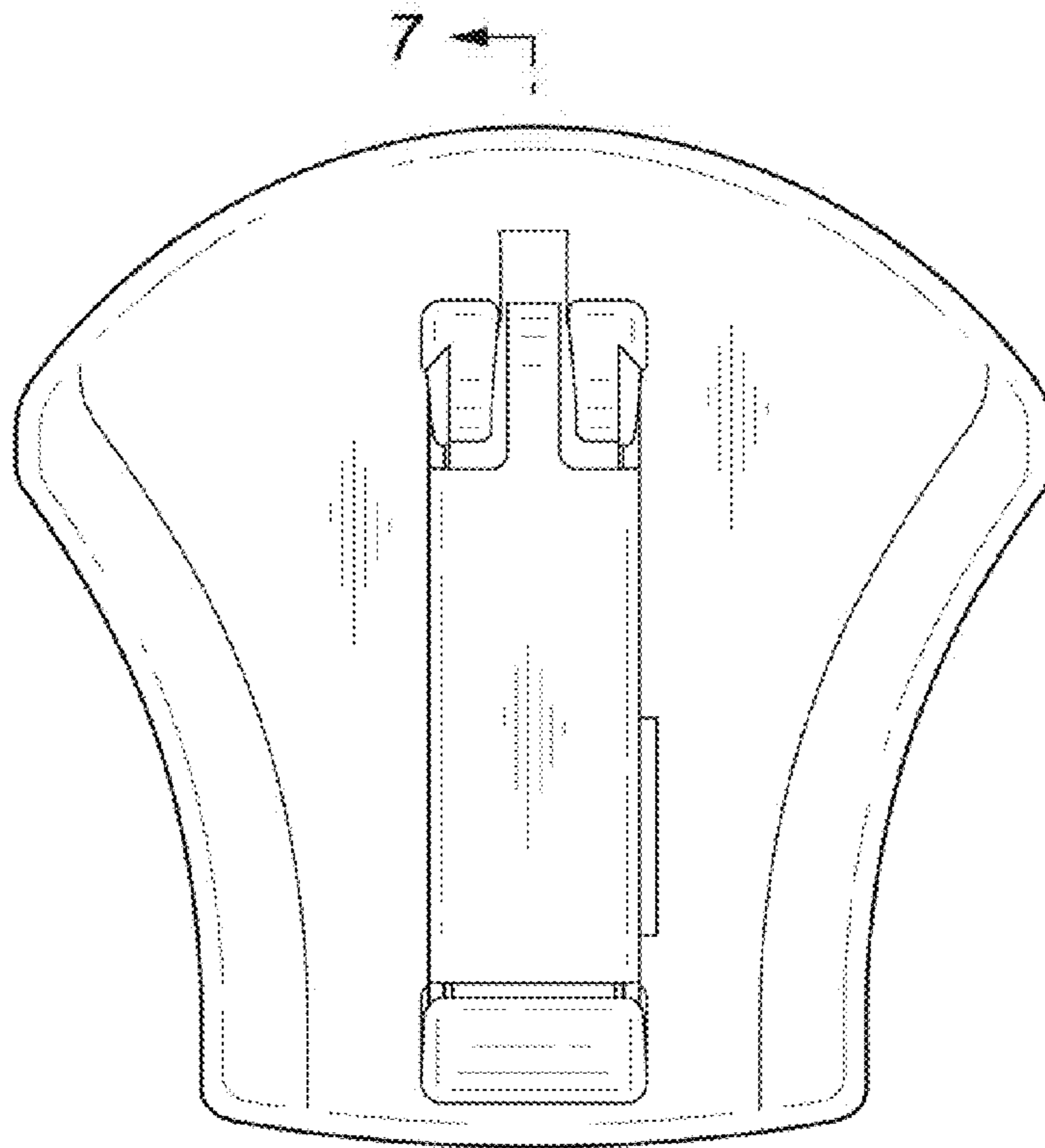


FIG. 2

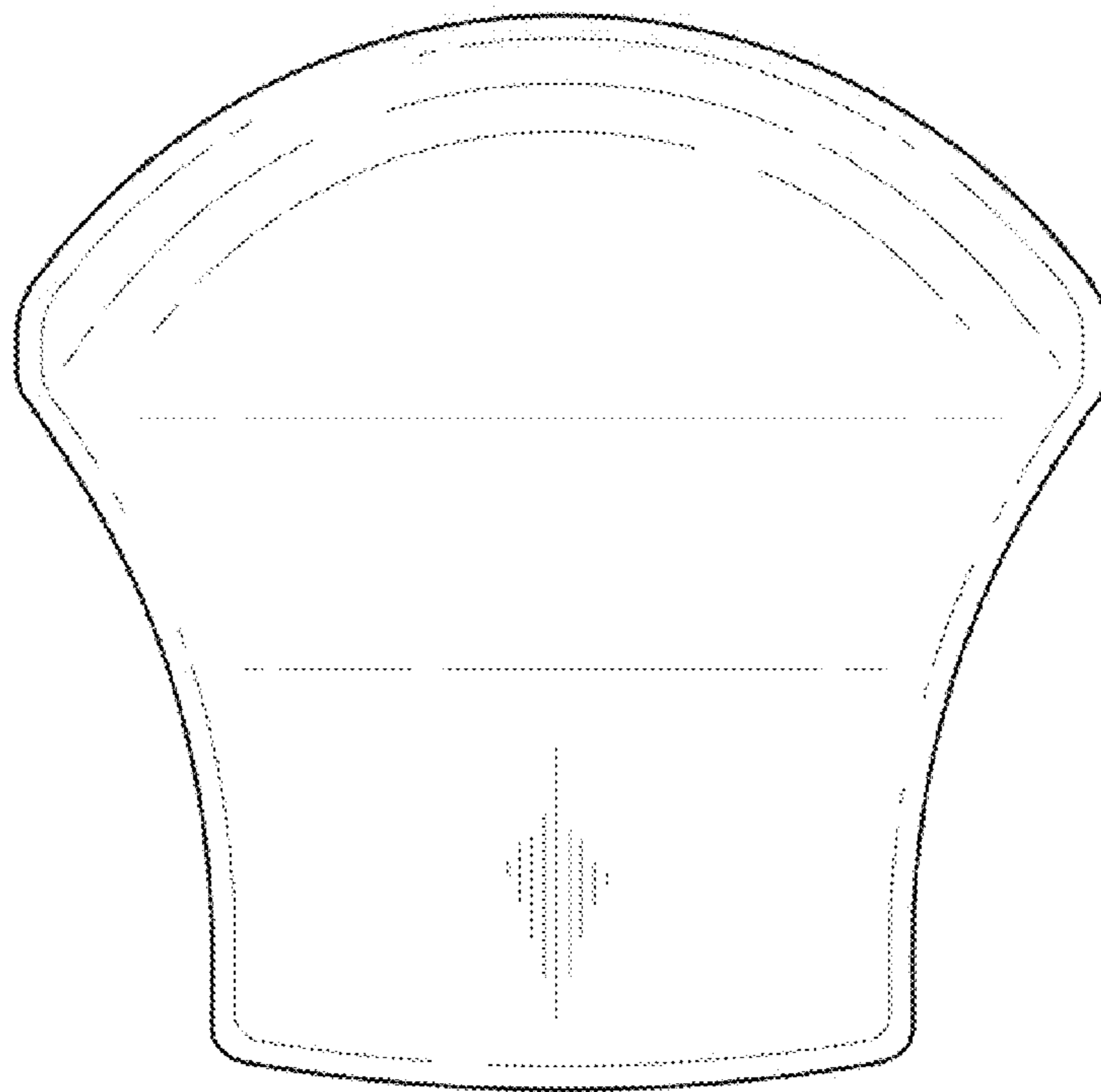


FIG. 3

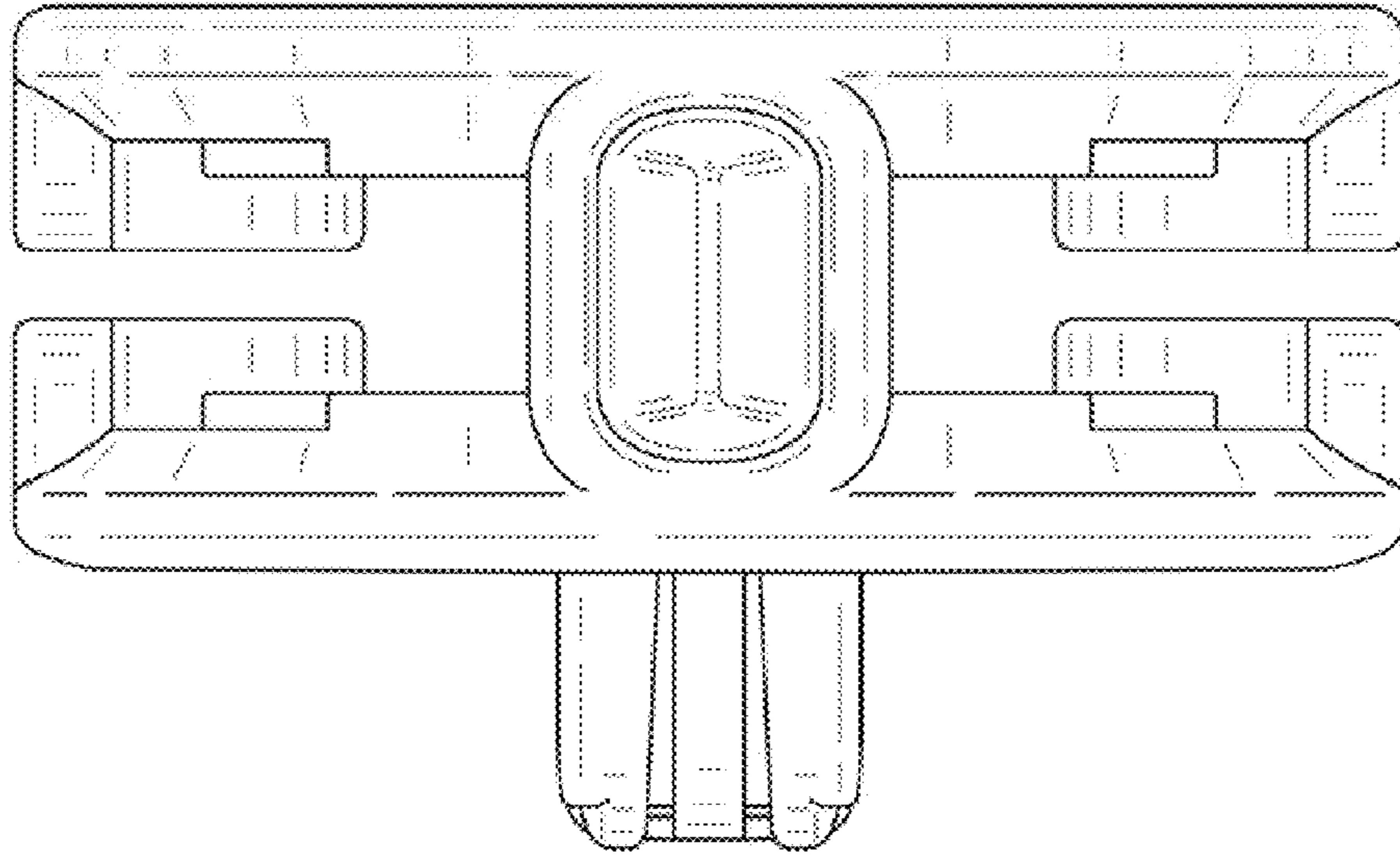


FIG. 4

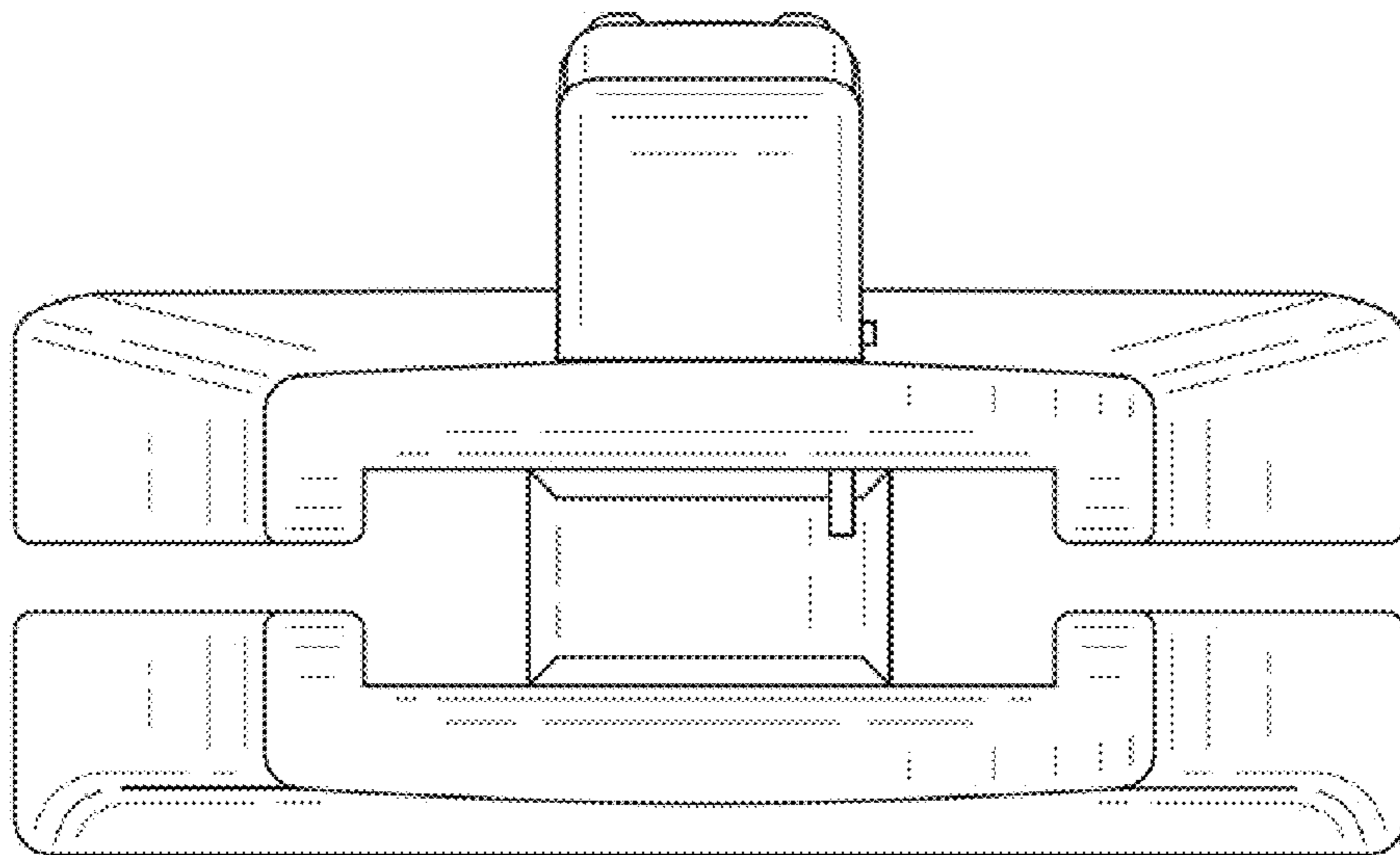


FIG. 5



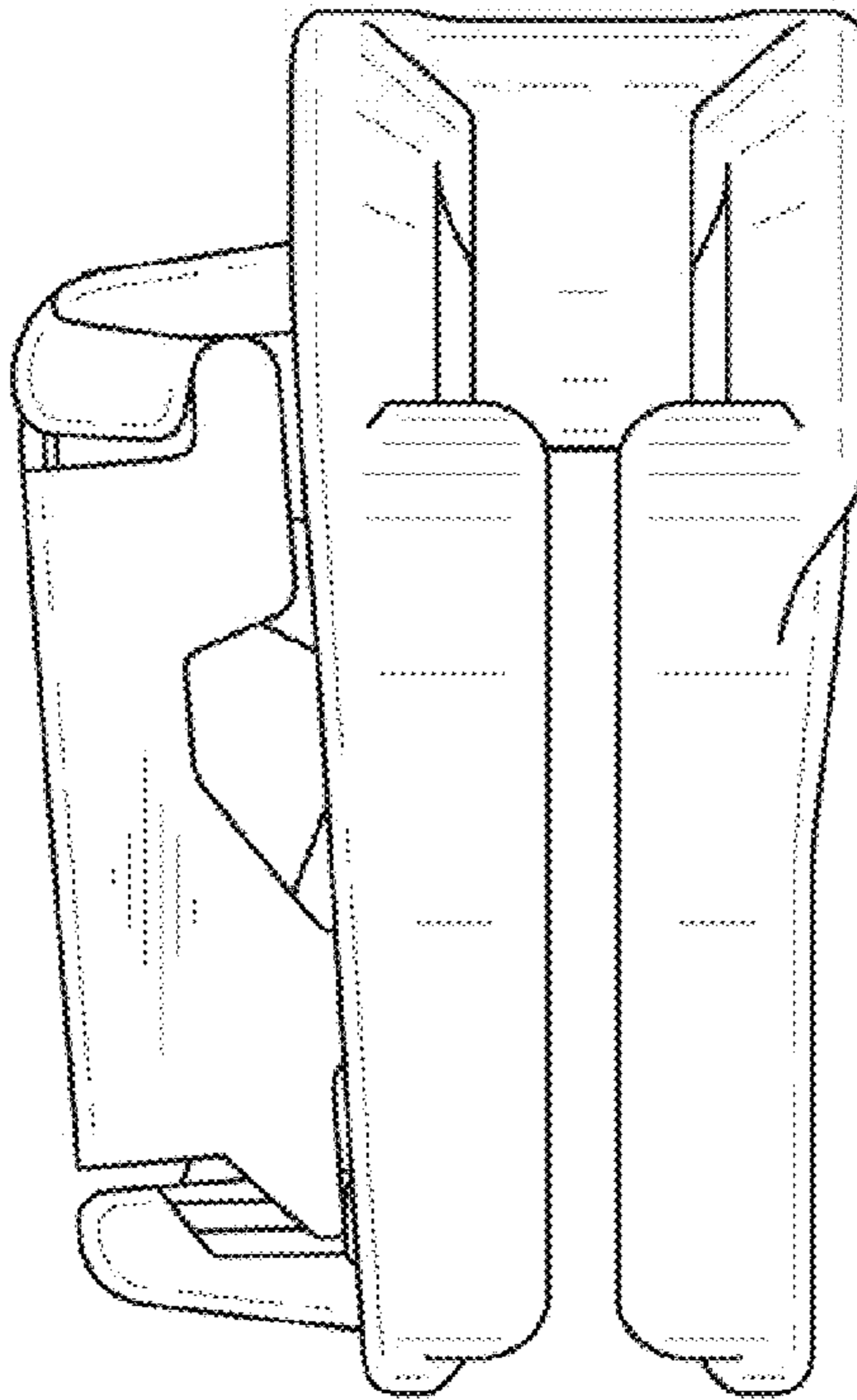


FIG. 6

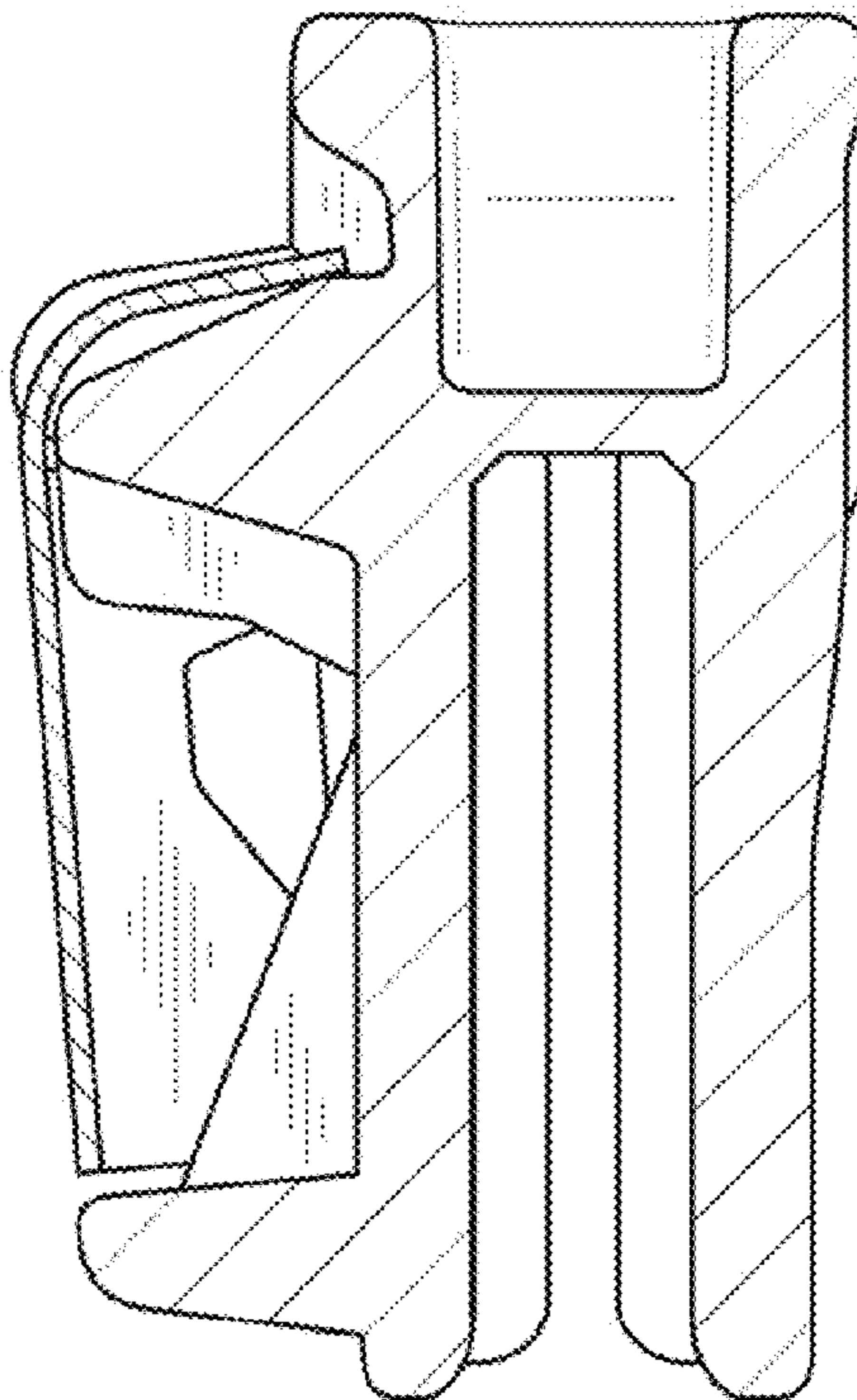


FIG. 7

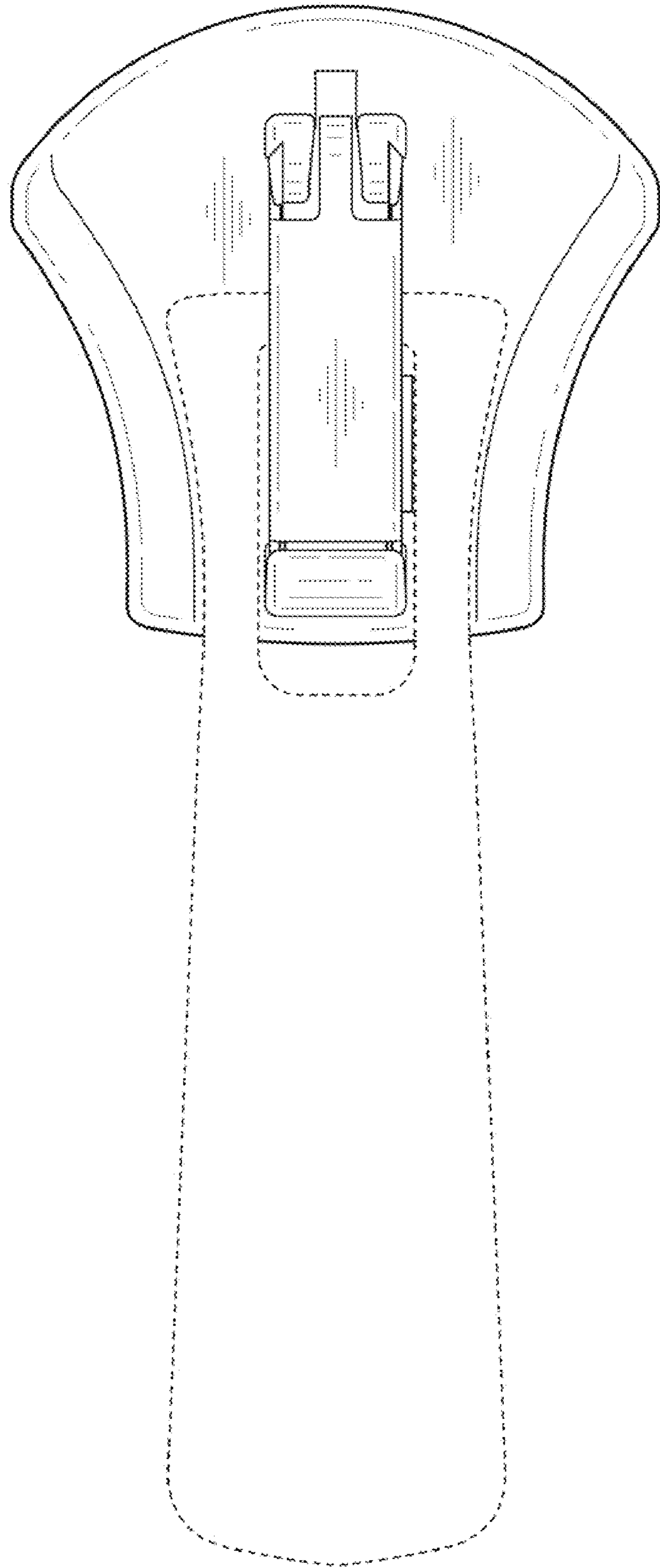


FIG. 8