



US00D643775S

(12) **United States Design Patent**
Hashimoto

(10) **Patent No.:** **US D643,775 S**
(45) **Date of Patent:** **** Aug. 23, 2011**

(54) **DECORATIVE ARTICLE HOLDING CASE**

(75) Inventor: **Masaki Hashimoto**, Ibaraki (JP)

(73) Assignee: **Suntory Holdings Limited**, Osaka (JP)

(**) Term: **14 Years**

(21) Appl. No.: **29/361,144**

(22) Filed: **May 6, 2010**

(30) **Foreign Application Priority Data**

Nov. 10, 2009 (JP) 2009-026258

(51) **LOC (9) Cl.** **11-02**

(52) **U.S. Cl.** **D11/143**

(58) **Field of Classification Search** D6/403-405,
D6/556-558; D8/1; D11/143-156, 164;
D19/77, 80, 81, 84; D25/100; D26/9-11,
D26/16, 19; D34/1, 2, 4-6; D99/5, 19; 47/17,
47/32.4, 32.5, 32.7, 33, 39, 41.01, 41.1, 41.11-41.15,
47/44-47, 65, 65.5, 65.9, 66.1, 66.2, 66.6,
47/66.7, 67-71

See application file for complete search history.

(56) **References Cited**

U.S. PATENT DOCUMENTS

986,395	A *	3/1911	King	47/33
2,830,405	A *	4/1958	Nydegger	D11/155
D271,387	S *	11/1983	Lentz et al.	D11/145
D320,952	S *	10/1991	Lang	D11/145
D357,210	S *	4/1995	Tomlinson et al.	D11/156
D371,088	S *	6/1996	Vollick	D11/145
D374,747	S *	10/1996	Richman	D30/102
D555,861	S *	11/2007	Larin	D34/1
D620,218	S *	7/2010	Larin	D34/1
2007/0084107	A1 *	4/2007	Ganti	47/39
2009/0293351	A1 *	12/2009	De Pagter et al.	47/41.12

* cited by examiner

Primary Examiner — Garth Rademaker

(74) *Attorney, Agent, or Firm* — Greenblum & Bernstein P.L.C.

(57) **CLAIM**

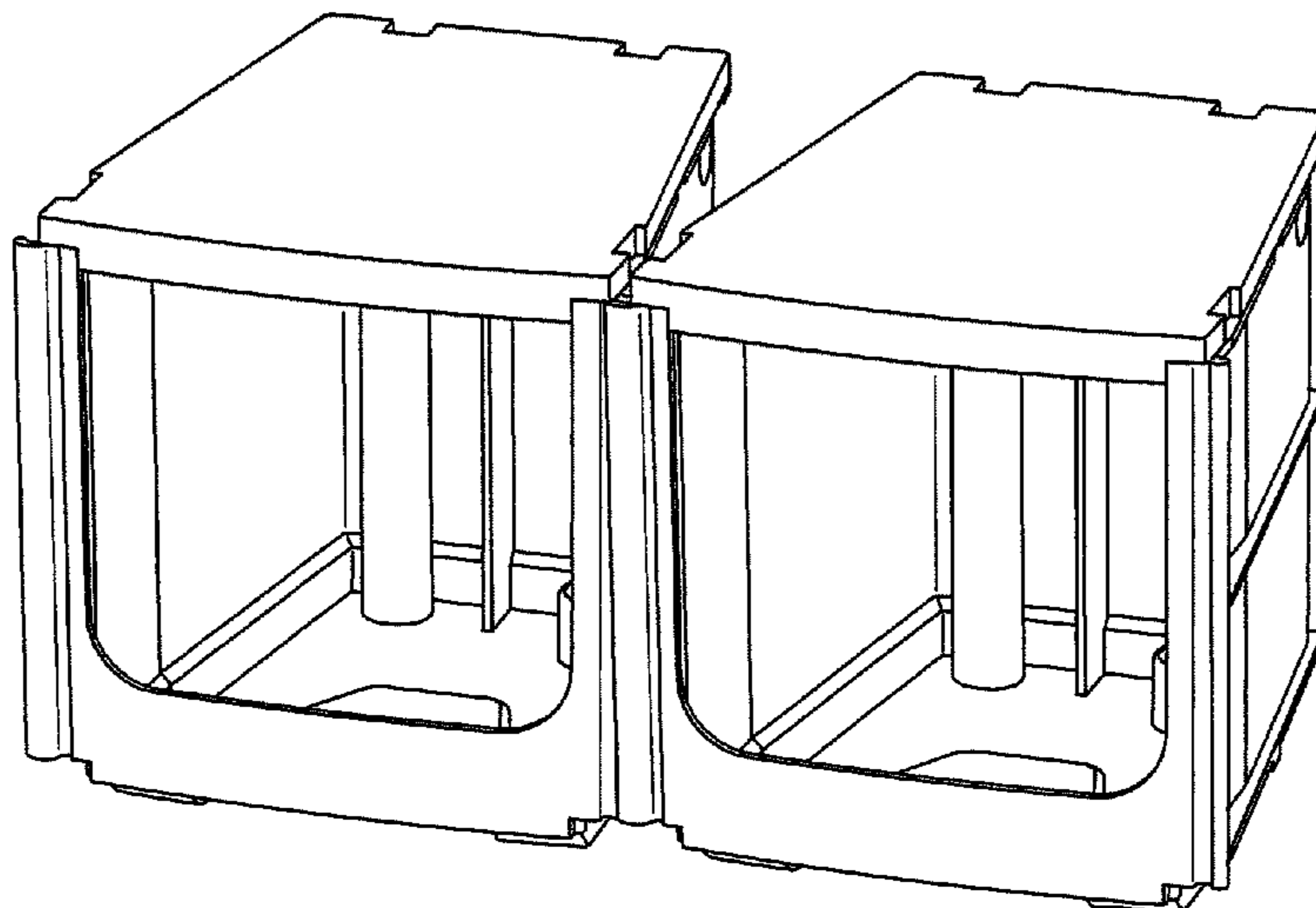
The ornamental design for a decorative article holding case, as shown and described.

DESCRIPTION

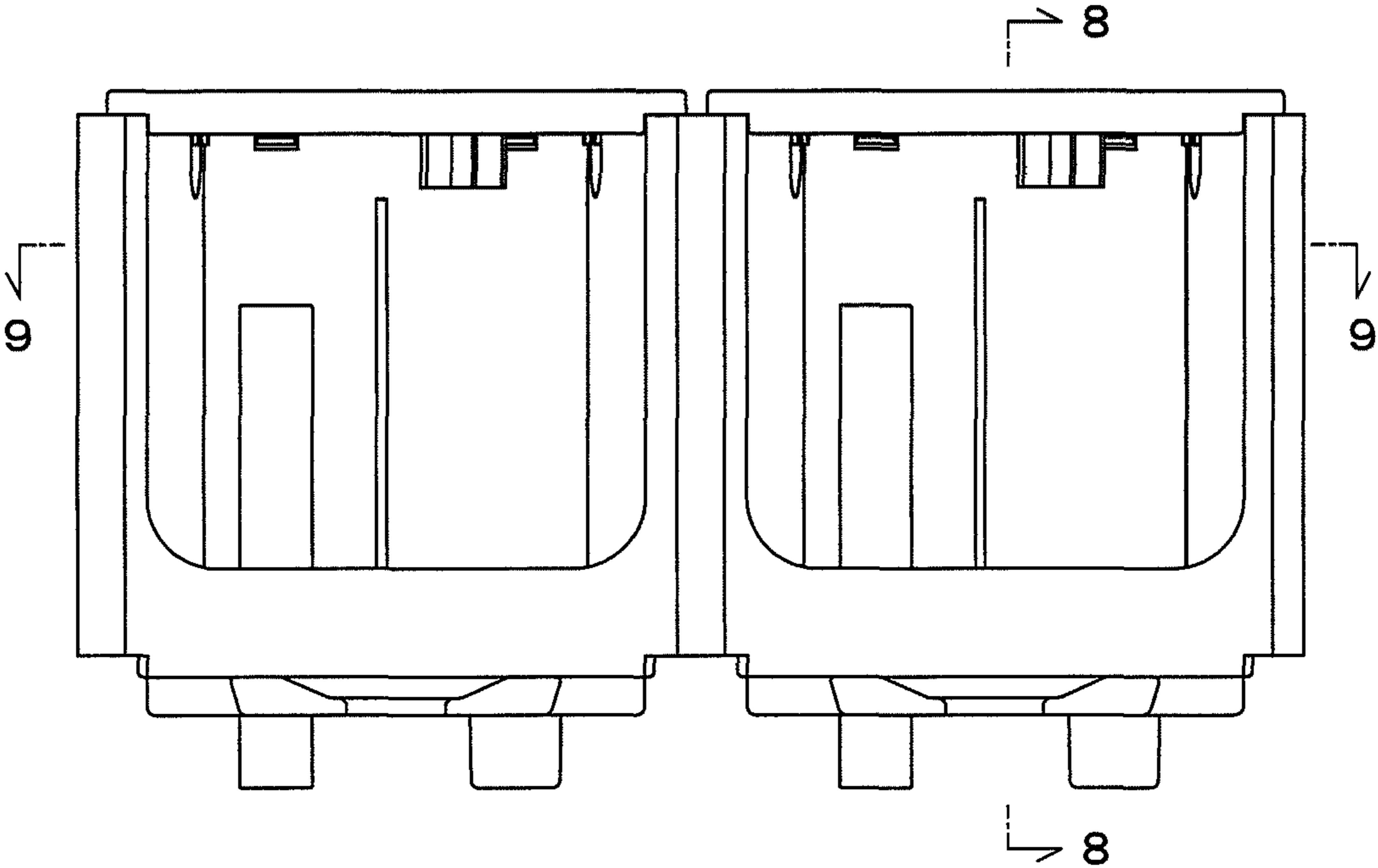
FIG. 1 is a front elevation view of a decorative article holding case showing my new design;
 FIG. 2 is a rear elevation view thereof;
 FIG. 3 is a left side elevation view thereof;
 FIG. 4 is a right side elevation view thereof;
 FIG. 5 is a top plan view thereof;
 FIG. 6 is a bottom plan view thereof;
 FIG. 7 is a perspective view thereof;
 FIG. 8 is a cross-sectional view thereof, taken on line 8-8 of FIG. 1 and shown at an enlarged scale;
 FIG. 9 is a cross-sectional view thereof, taken on line 9-9 of FIG. 1;
 FIG. 10 is a perspective view of one half of the decorative article holding case, shown at a reduced scale and with the lid member removed;
 FIG. 11 is a perspective view thereof, shown at a further reduced scale, in an environment of use; and,
 FIG. 12 is a perspective view thereof, shown in an environment of use.

The decorative article holding case is for use in decoration indoors or outdoors. The center axis of the decorative article holding case pivots, allowing each half to change its relative position. Each half of the decorative article holding case is additionally provided with a water storage function for supplying a culture fluid to a planting bed of a plant and a level adjusting function for allowing an overflow of the culture fluid that has been supplied beyond a predetermined level. The broken lines shown in FIGS. 2, 6, 8, 9, 11, and 12 depict environmental subject matter and form no part of the claimed design.

1 Claim, 12 Drawing Sheets



F i g . 1



F i g . 2

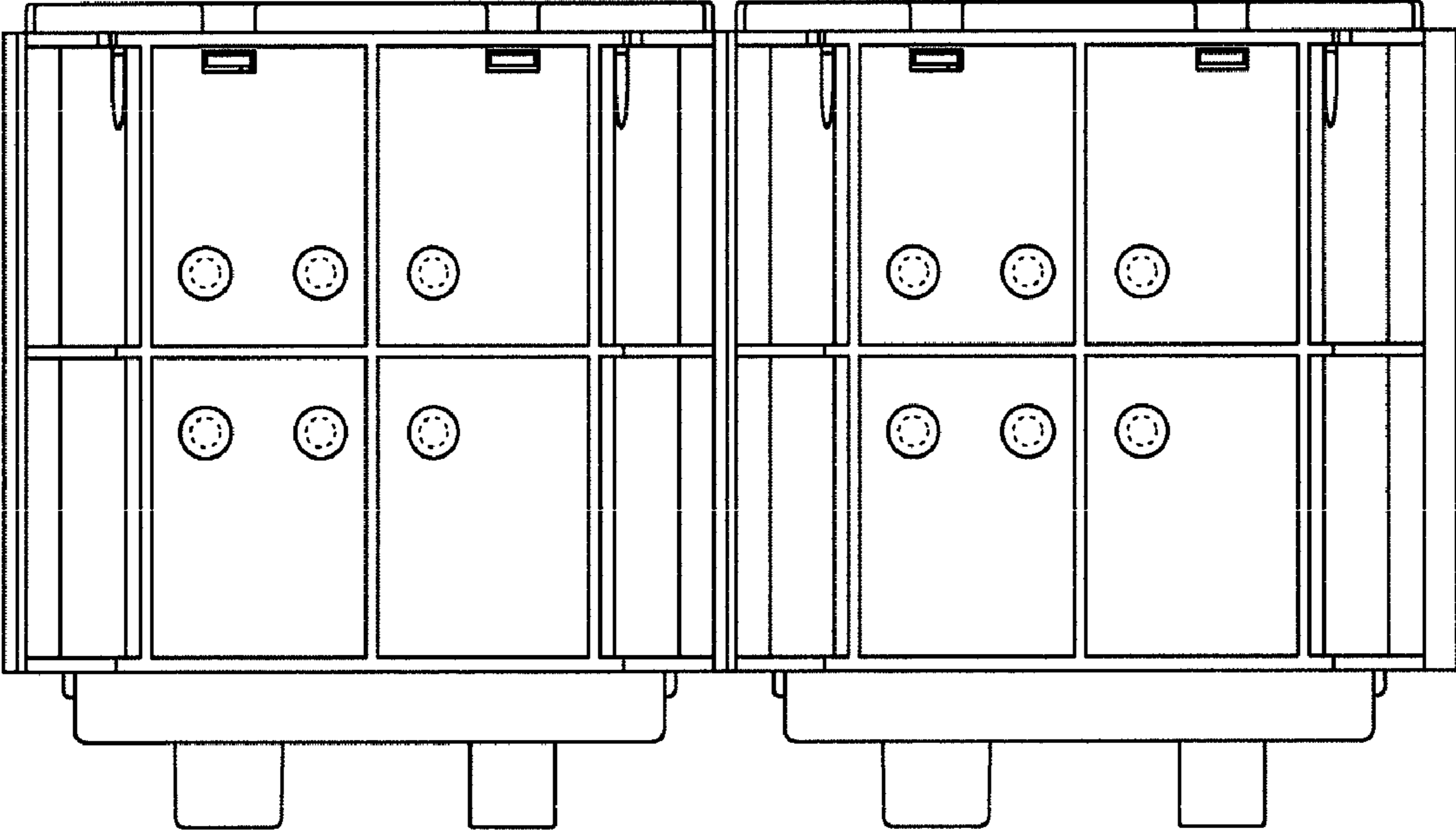


Fig. 3

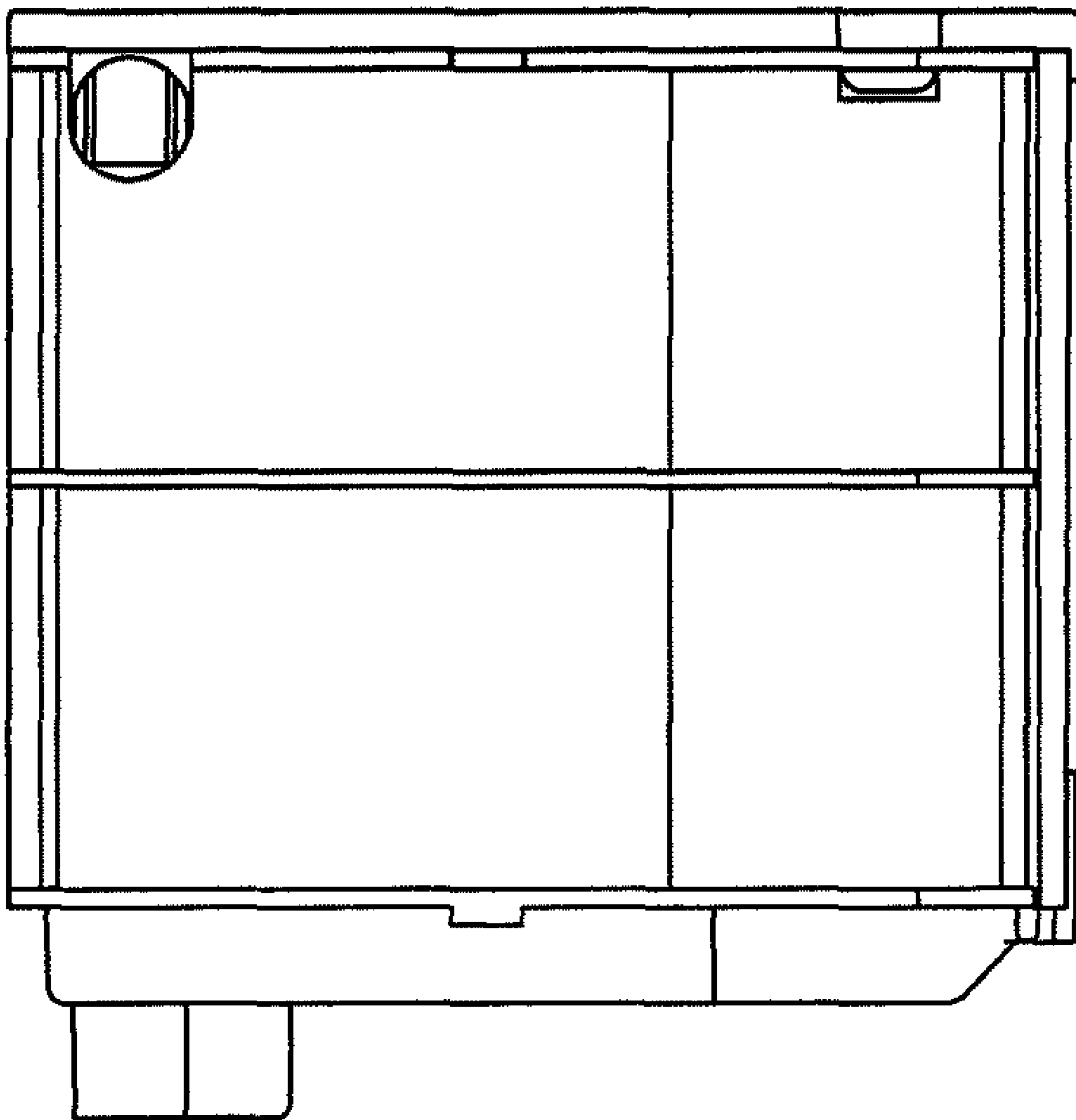
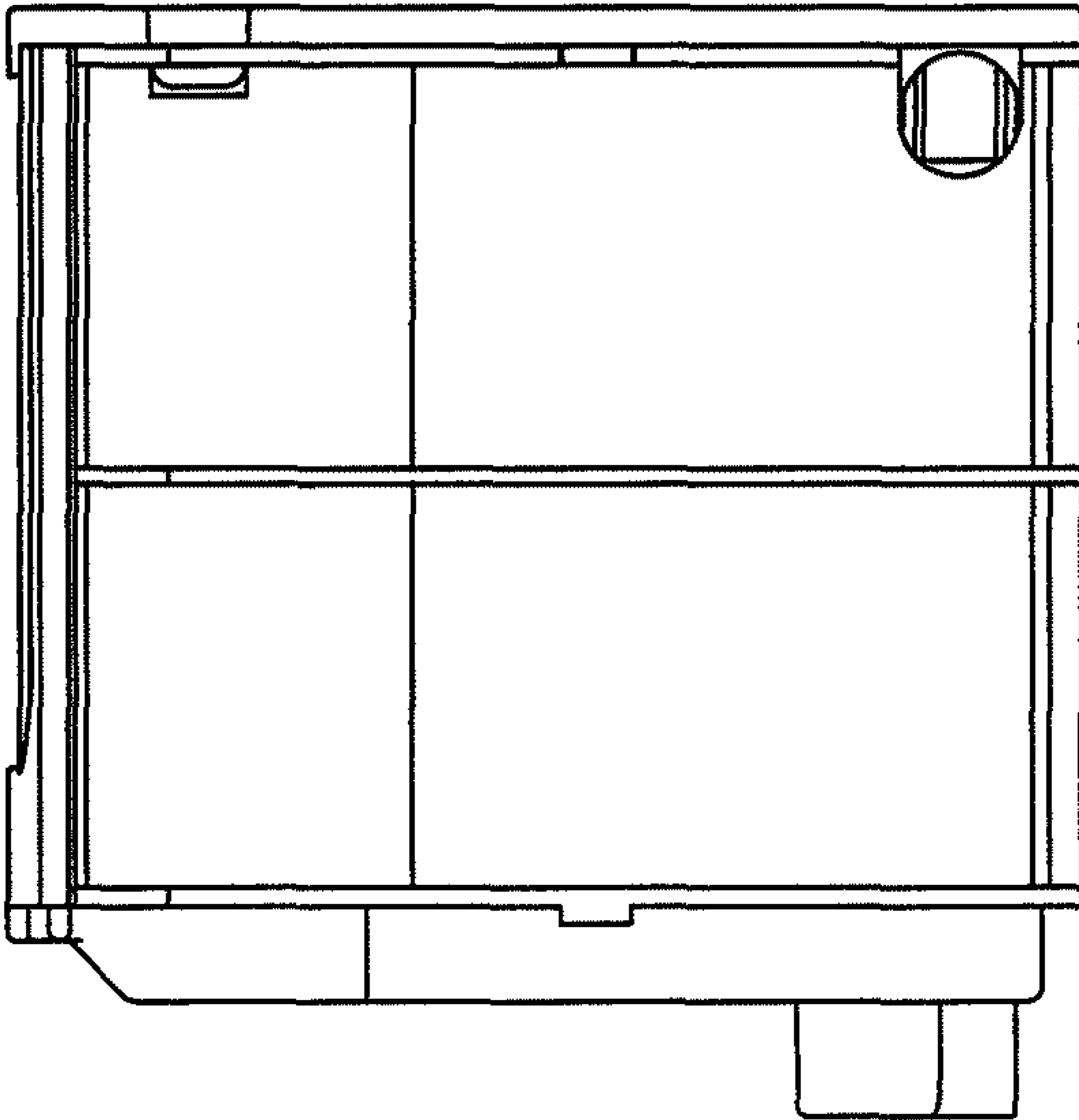
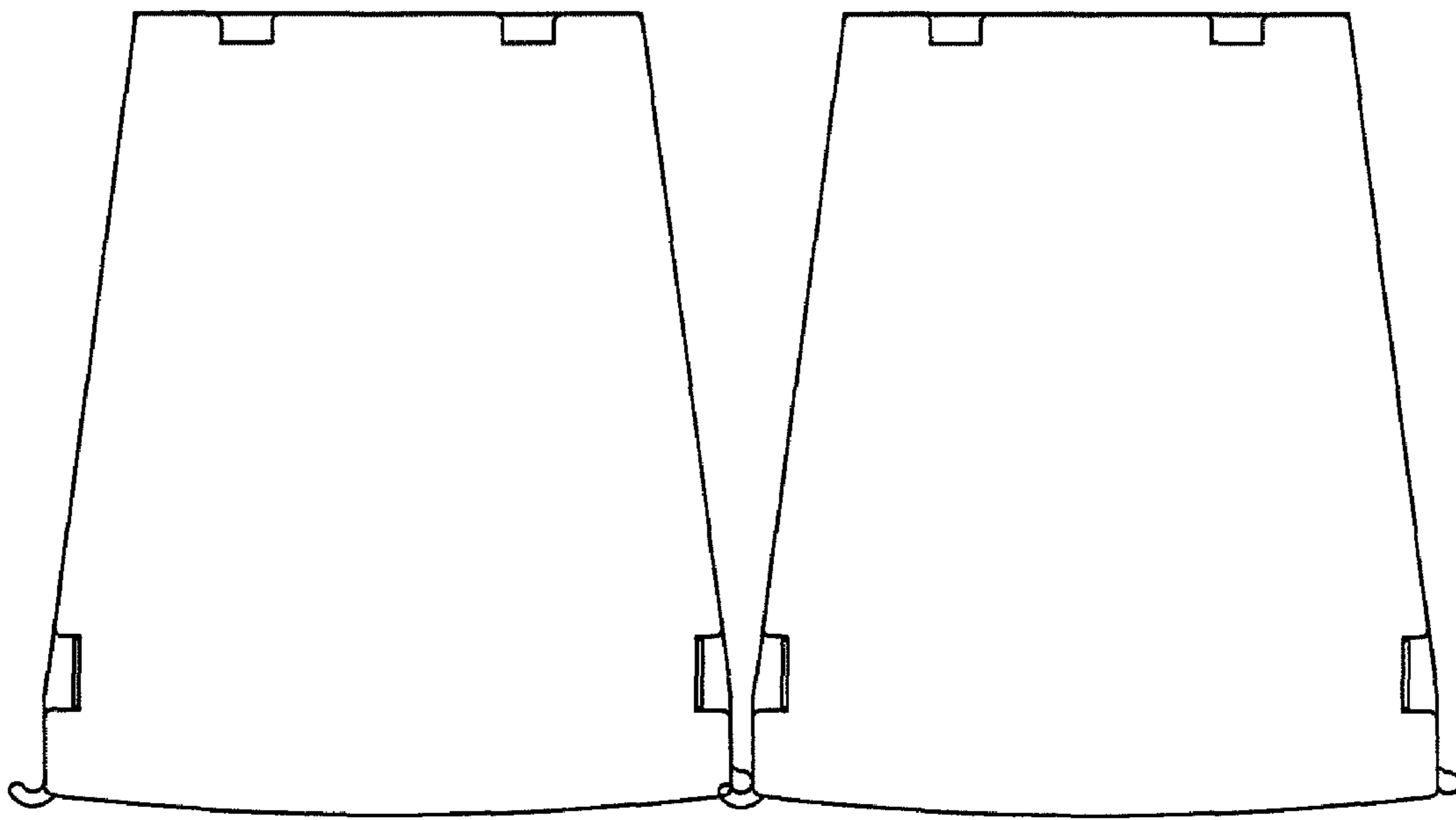


Fig. 4



F i g . 5



F i g . 6

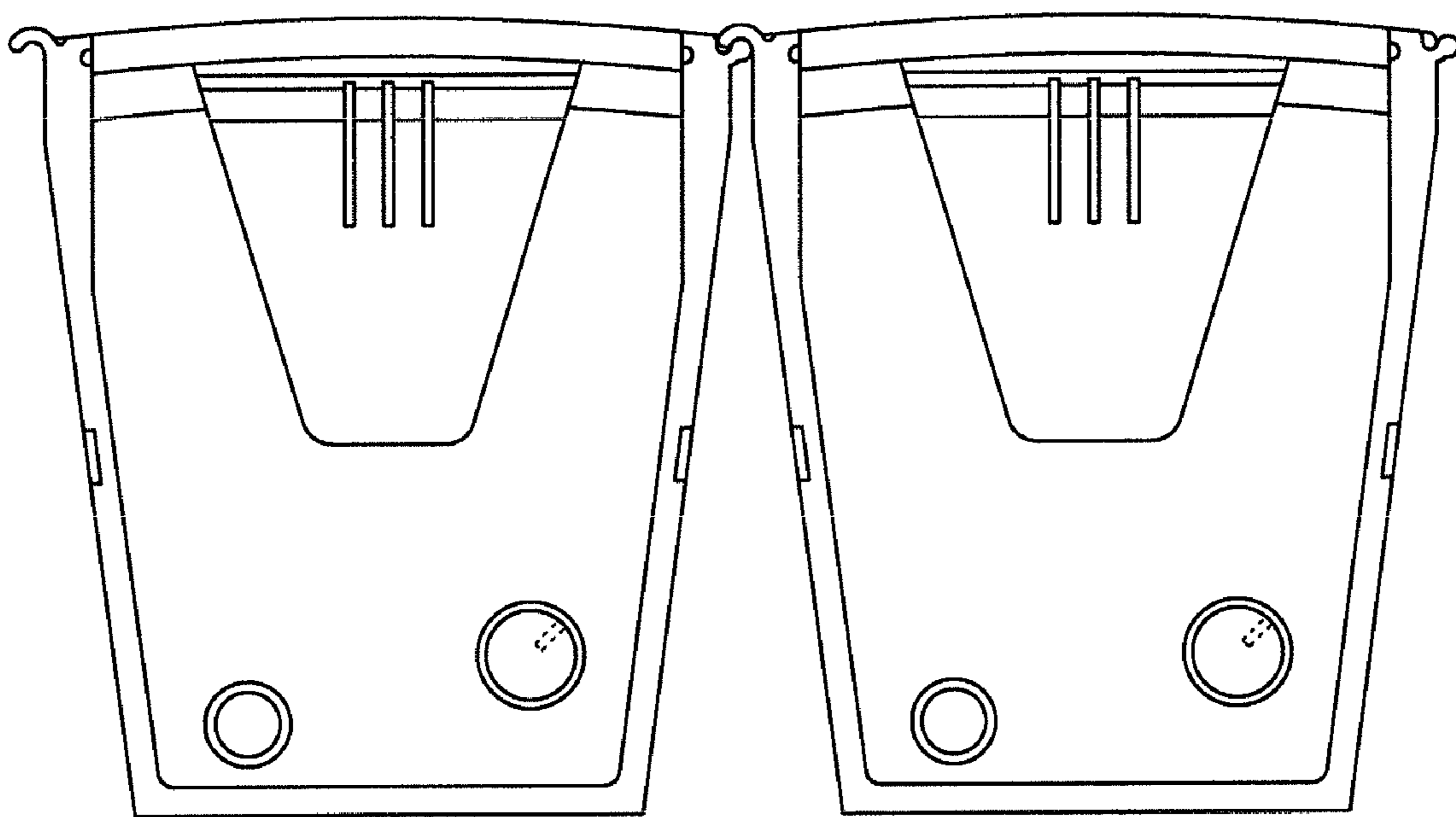
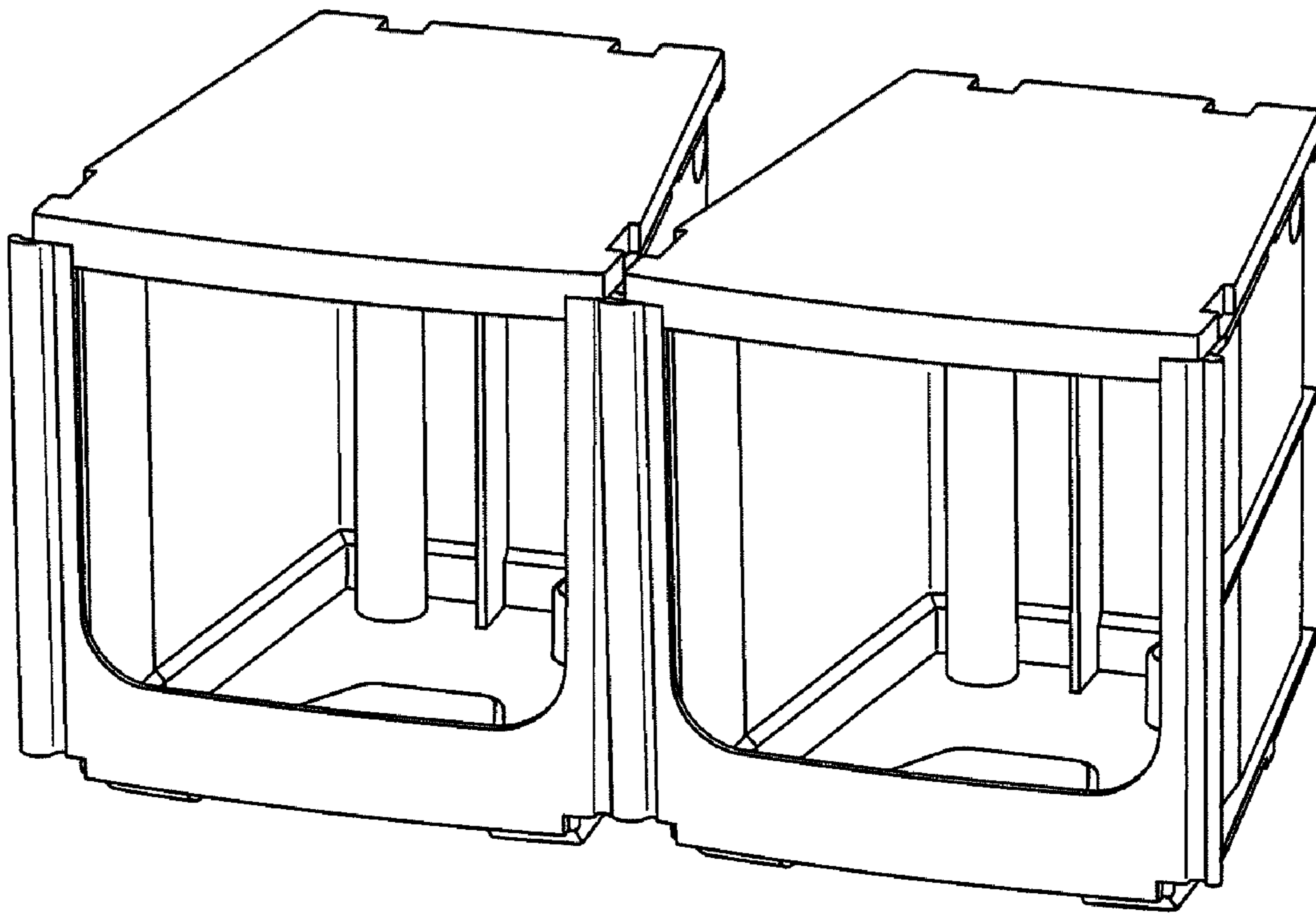
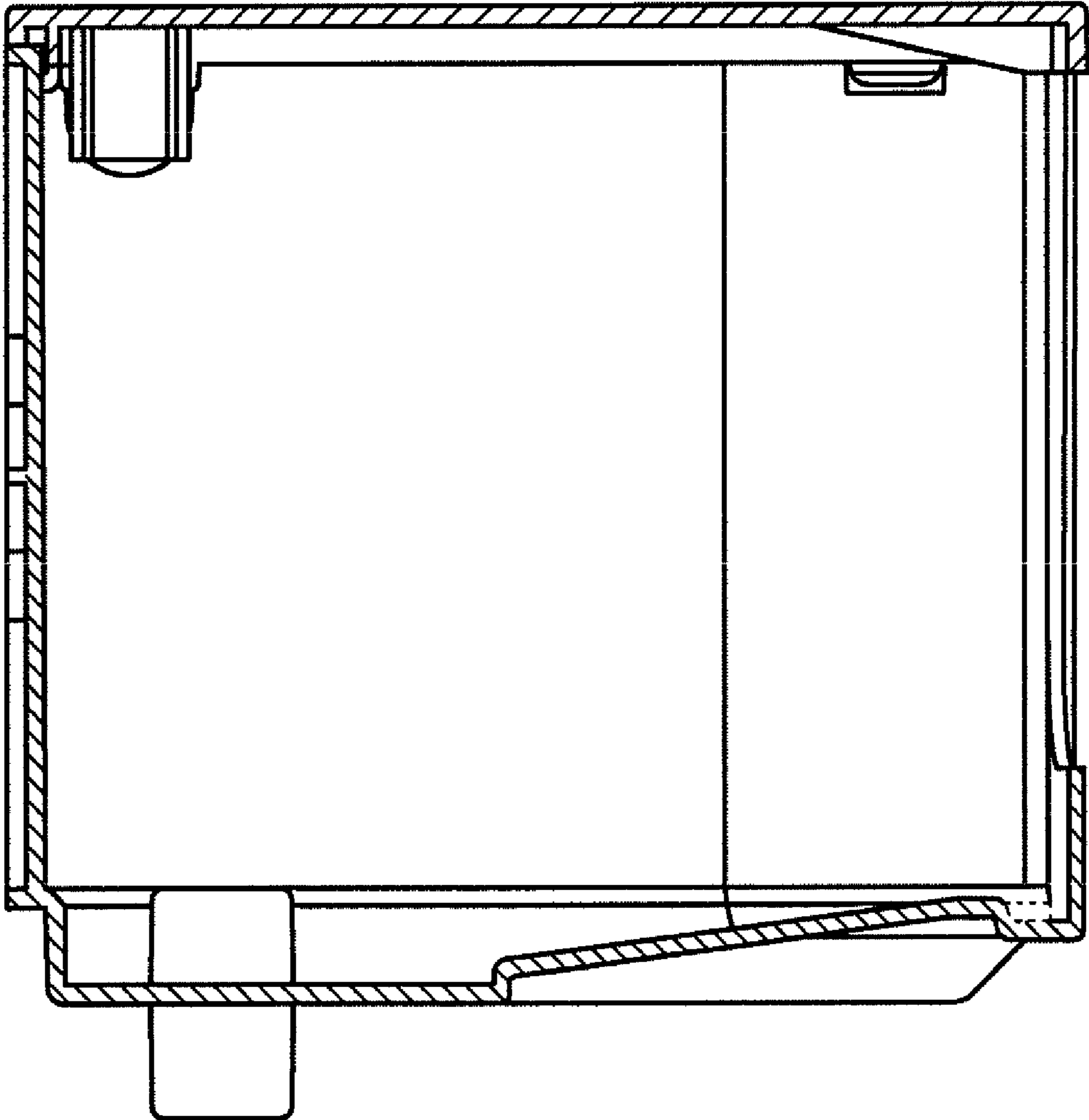


Fig. 7



F i g . 8



F i g . 9

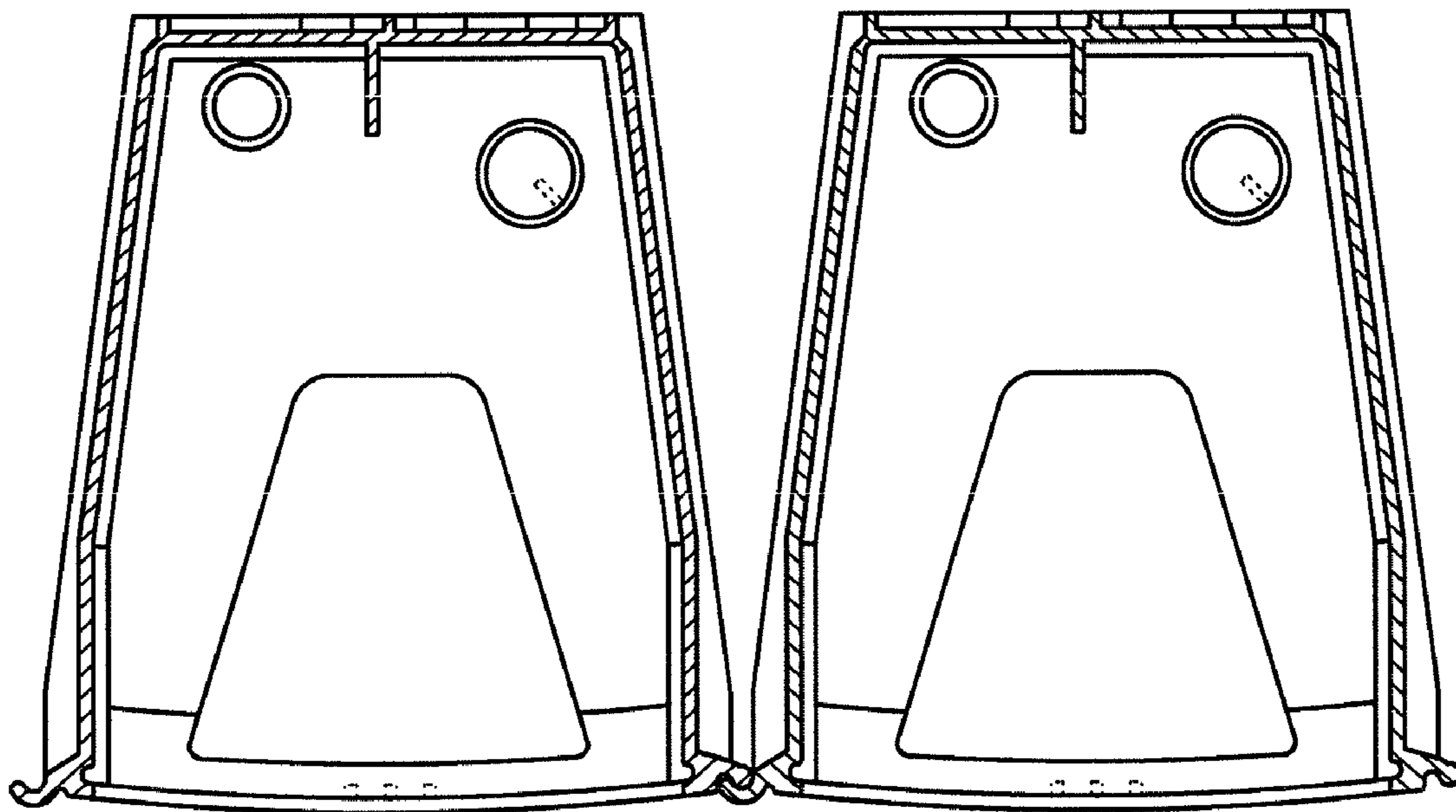


Fig. 10

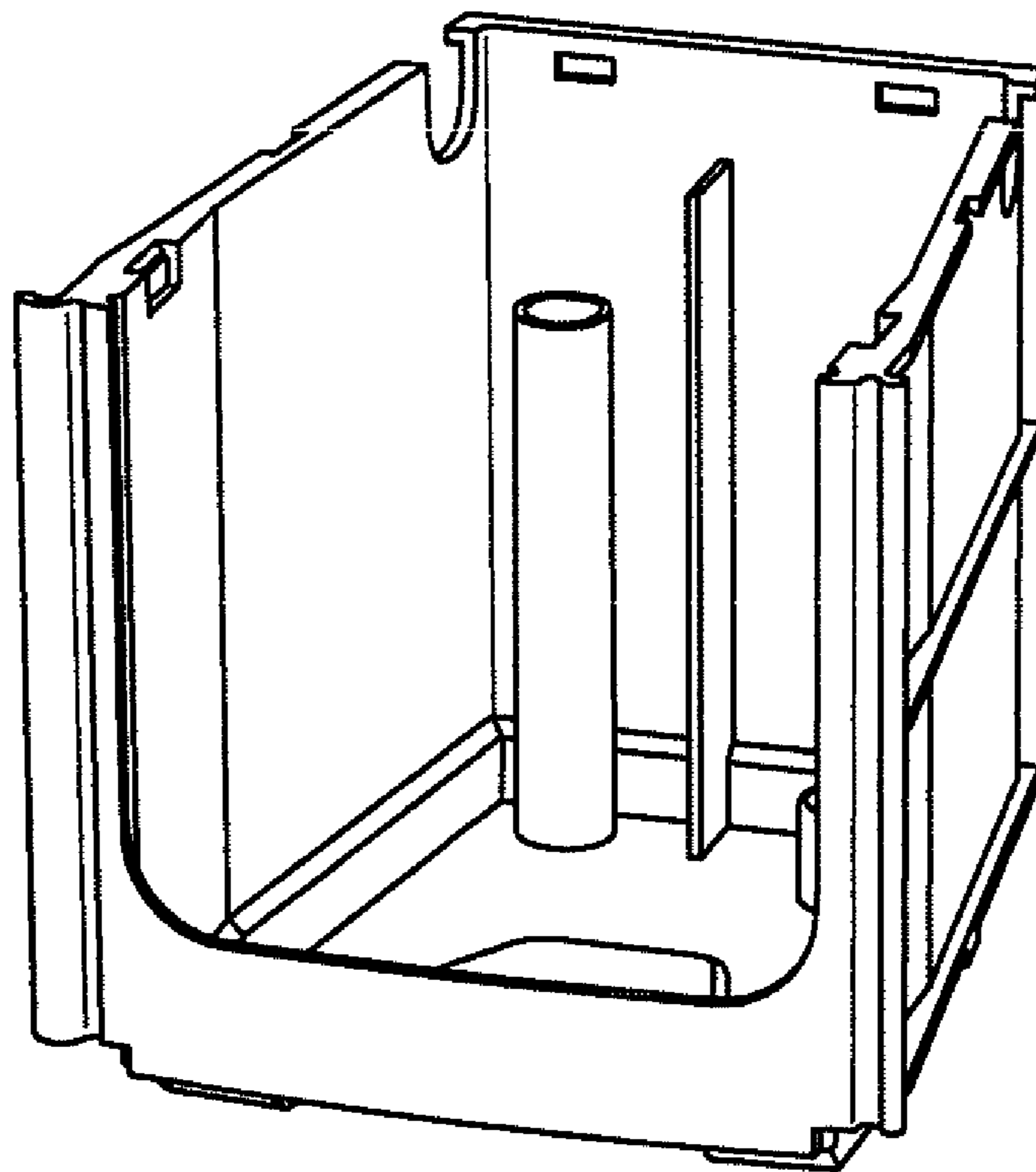
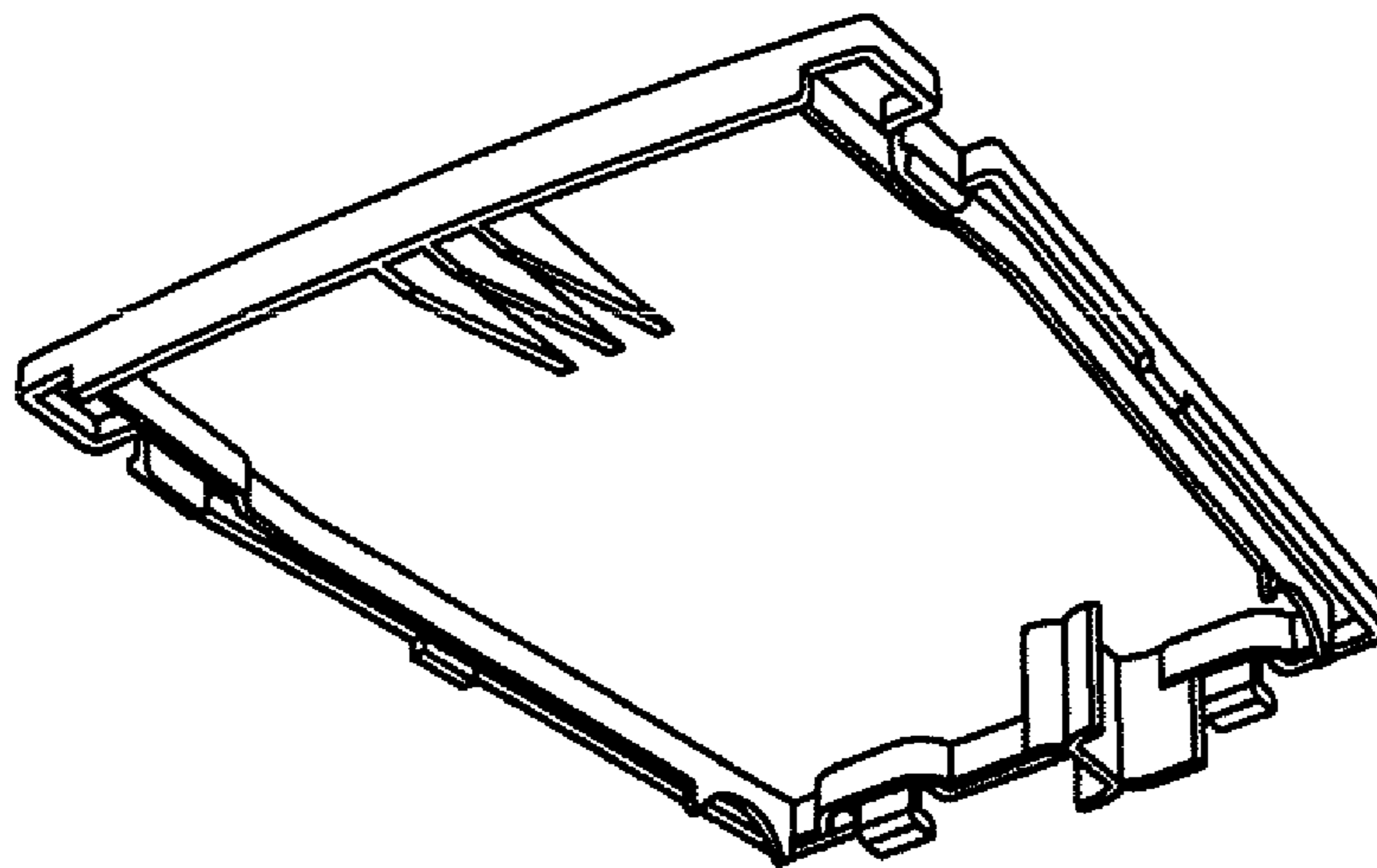
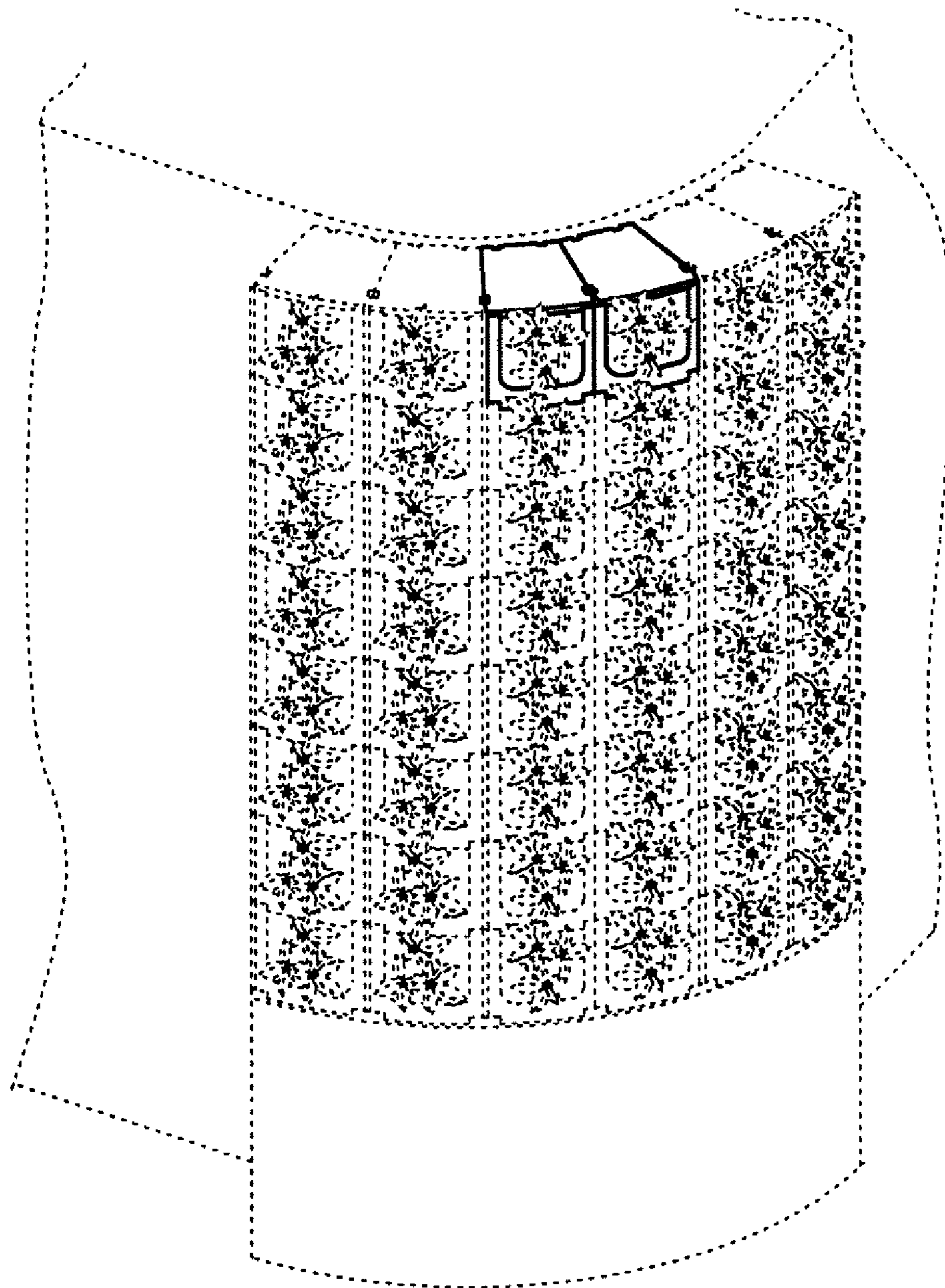


Fig. 11



F i g . 1 2

