



US00D643772S

(12) **United States Design Patent**
Mikkelsen

(10) **Patent No.:** **US D643,772 S**

(45) **Date of Patent:** **** Aug. 23, 2011**

- (54) **WATCH ADAPTOR LINK**
- (75) Inventor: **Christian Mikkelsen**, Central (HK)
- (73) Assignee: **Worldwide Watch Company Limited**,
Central (HK)
- (**) Term: **14 Years**
- (21) Appl. No.: **29/382,178**
- (22) Filed: **Dec. 29, 2010**
- (51) **LOC (9) Cl.** **11-02**
- (52) **U.S. Cl.** **D11/93**
- (58) **Field of Classification Search** D11/1-25,
D11/86-94; 63/1.11, 2, 3; D10/30-38;
224/162-177; 24/31 B, 31 H, 265 R, 265 B,
24/265 EC, 265 WS, 68 R
See application file for complete search history.

(56) **References Cited**

U.S. PATENT DOCUMENTS

2,163,208	A *	6/1939	Moody et al.	224/177
D178,326	S *	7/1956	Sharp et al.	D11/94
3,237,395	A *	3/1966	Bennett	59/82
3,574,903	A *	4/1971	Namiki	24/265 WS
3,609,963	A *	10/1971	Ichinose	59/80
3,631,573	A *	1/1972	King	24/265 WS
3,930,364	A *	1/1976	Wong	59/80
4,015,423	A *	4/1977	Brunet	59/82

4,382,318	A *	5/1983	Takimoto	24/188
D305,743	S *	1/1990	Hirsch	D11/94
5,313,691	A *	5/1994	Hashimoto	24/69 J
D382,504	S *	8/1997	Strasser	D11/12
6,598,382	B1 *	7/2003	Yoo	59/80

* cited by examiner

Primary Examiner — Cathron C Brooks

Assistant Examiner — Melanie Levy

(74) *Attorney, Agent, or Firm* — Law Office of Sergei Orel, LLC

(57) **CLAIM**

The ornamental design for a watch adaptor link, as shown and described.

DESCRIPTION

FIG. 1 is a top view of the watch adaptor link showing my new design;
 FIG. 2 is a bottom view thereof;
 FIG. 3 is a front view thereof;
 FIG. 4 is a rear view thereof;
 FIG. 5 is a side view thereof;
 FIG. 6 is an opposite side view thereof;
 FIG. 7 is a front, side perspective view thereof; and,
 FIG. 8 is a rear, side perspective view thereof.

1 Claim, 1 Drawing Sheet

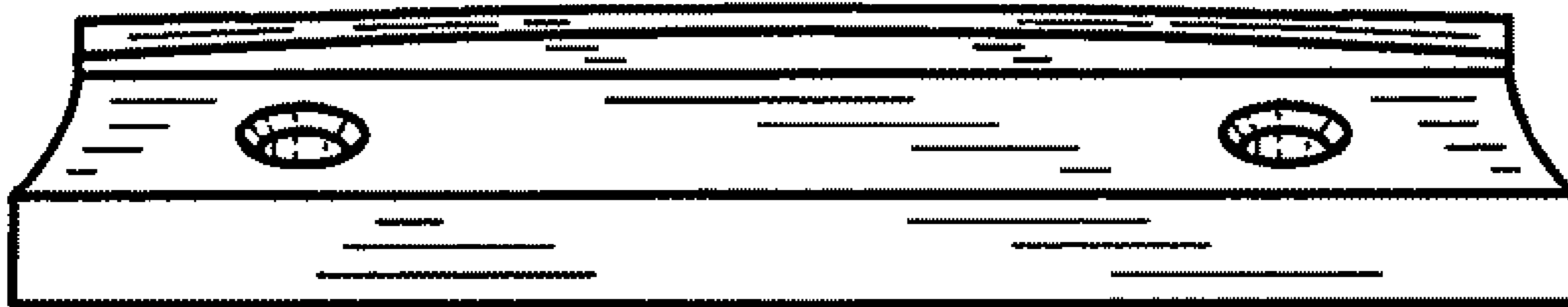




Fig.1

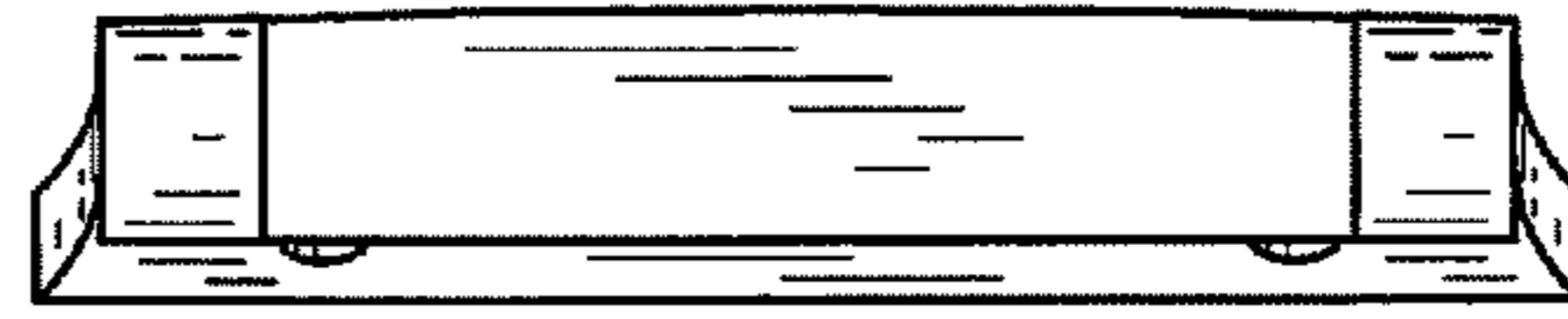


Fig.2

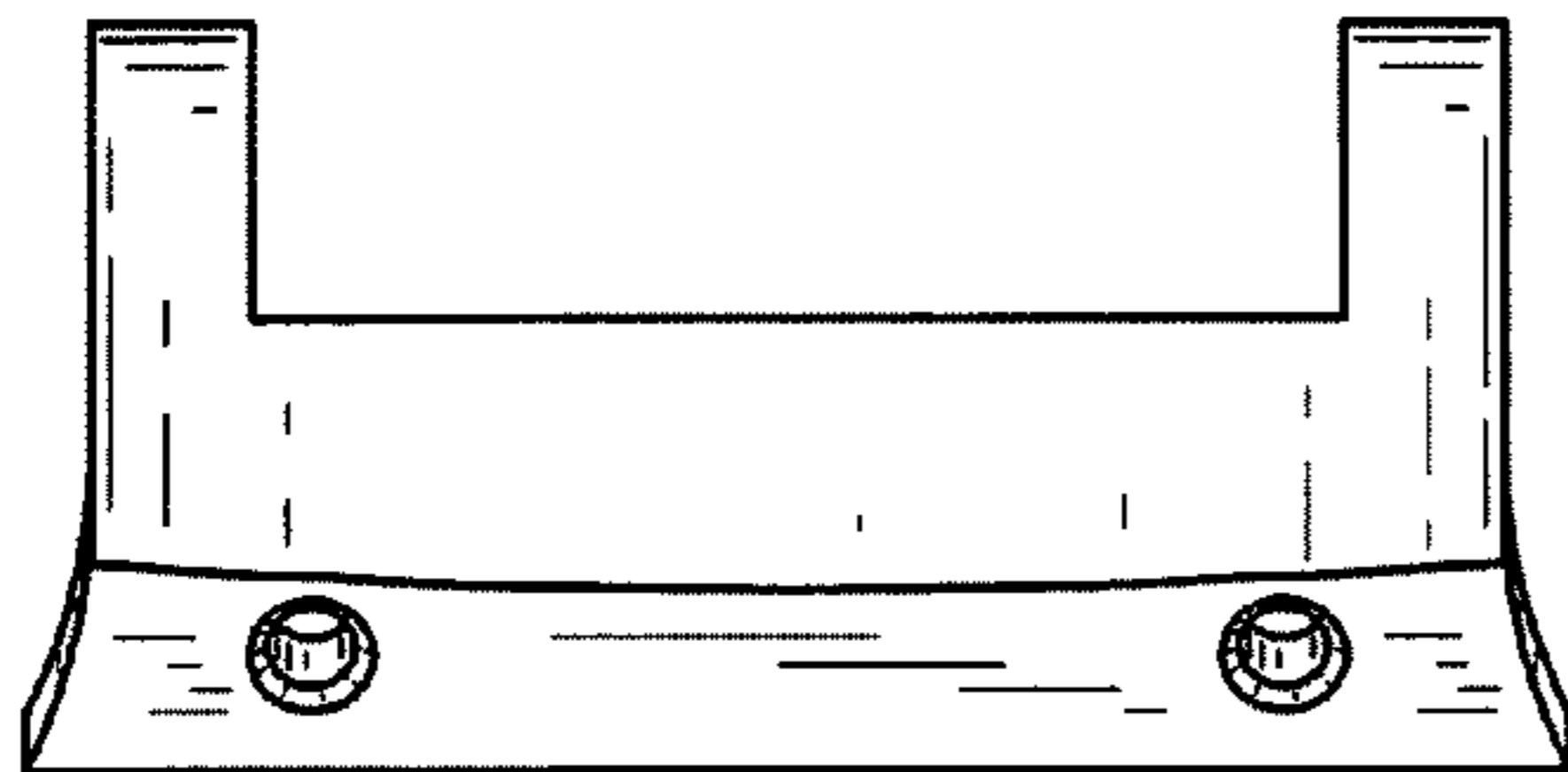


Fig.3

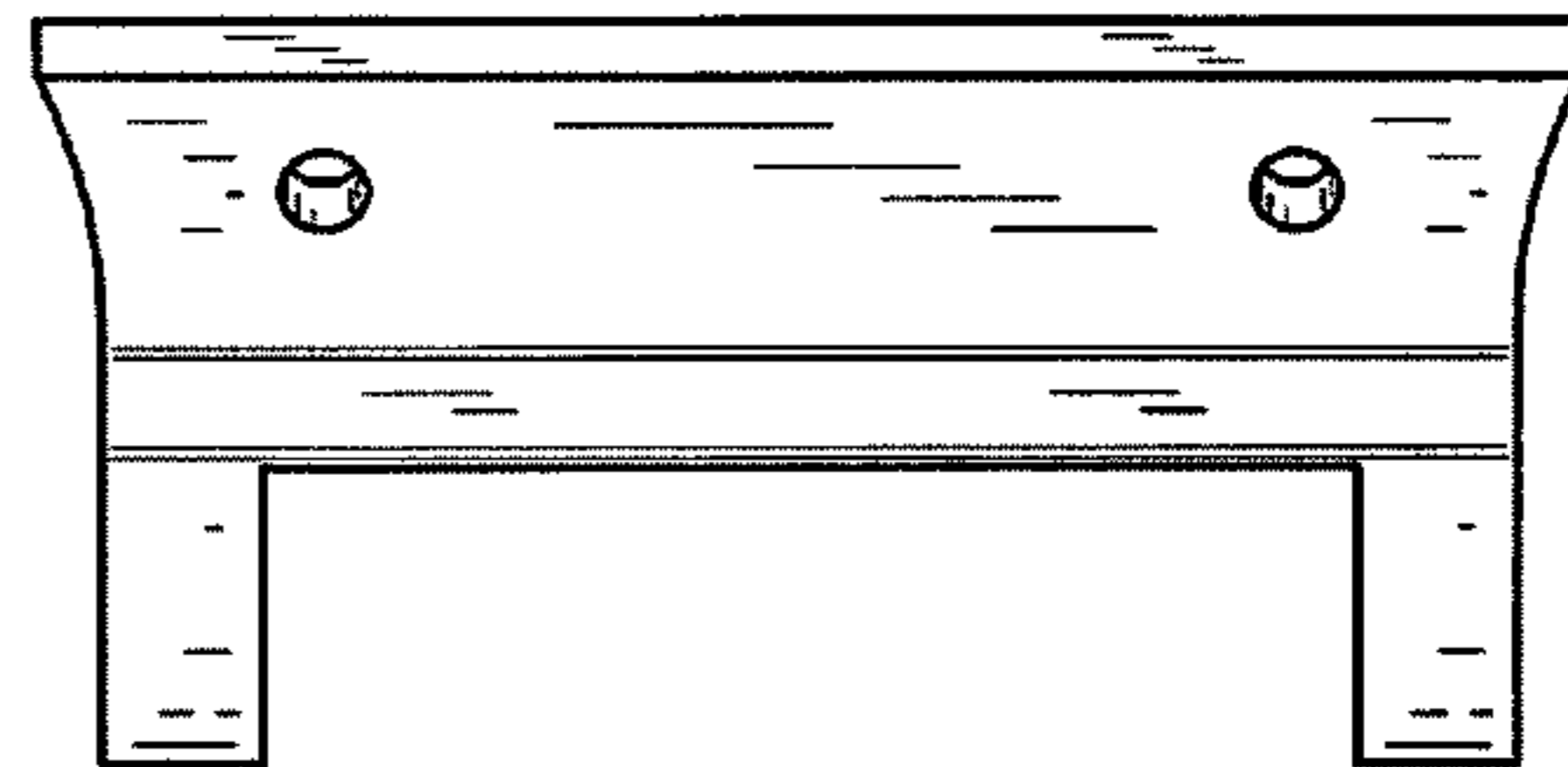


Fig.4



Fig.5



Fig.6

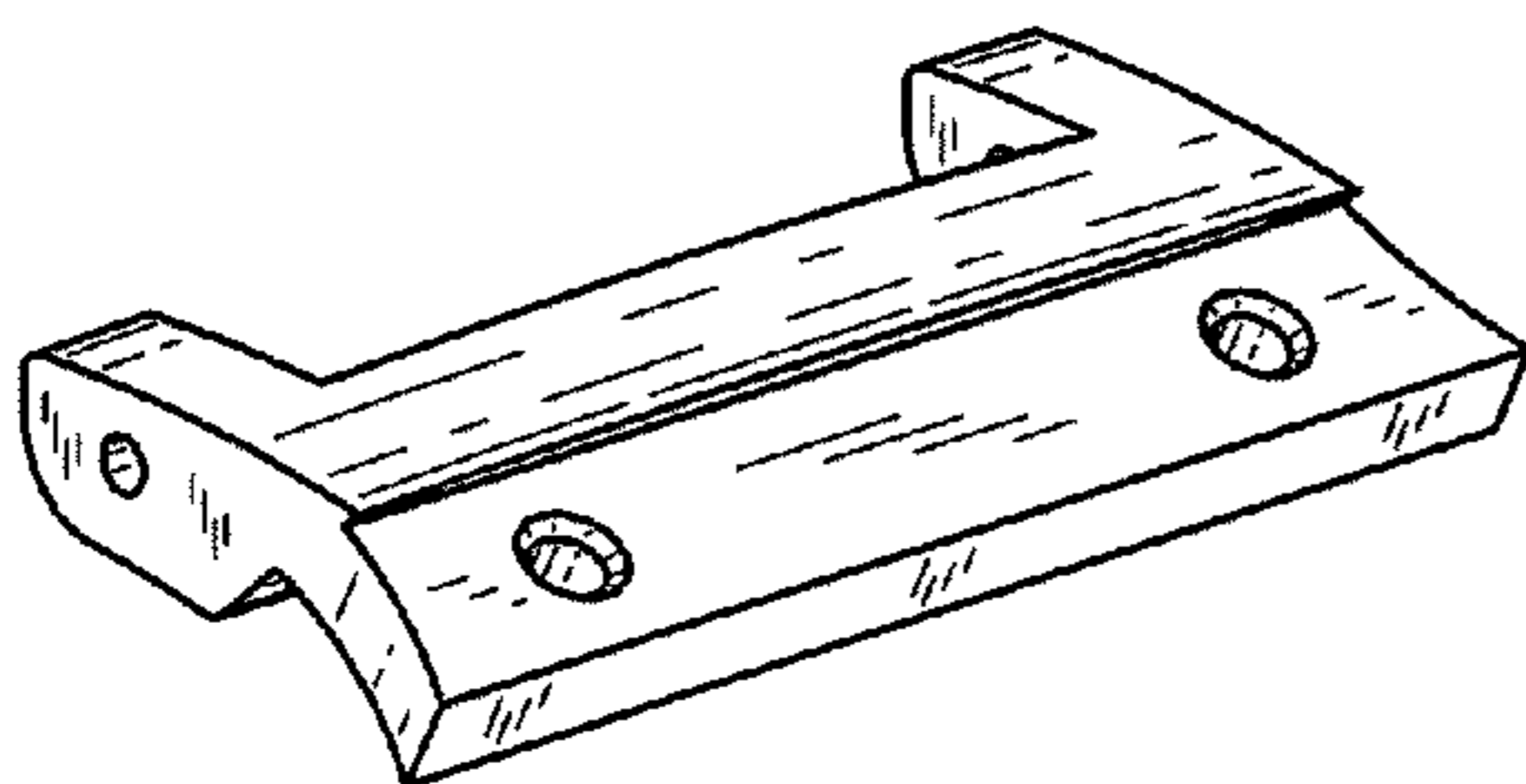


Fig.7

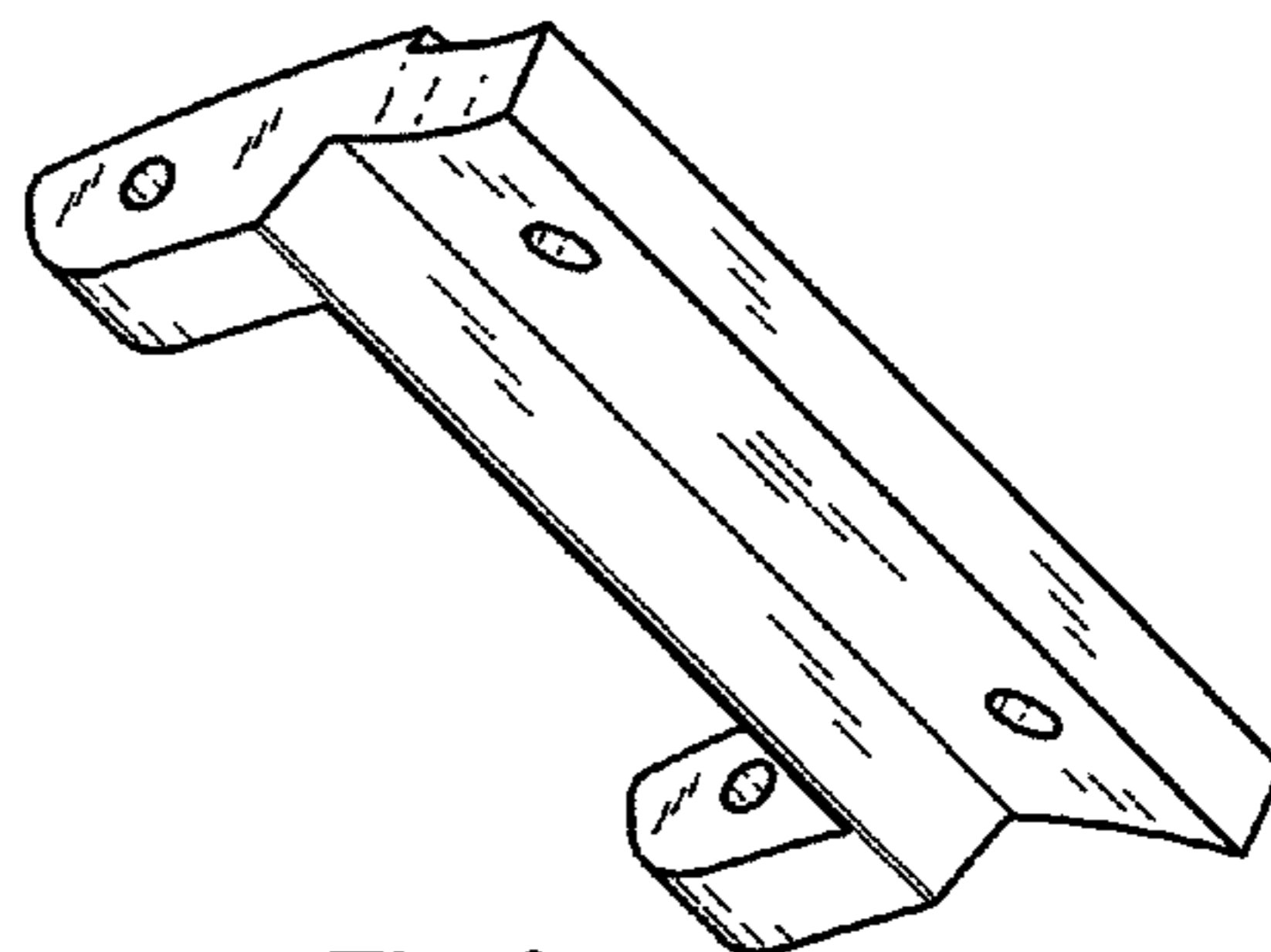


Fig.8