



US00D643763S

(12) **United States Design Patent**
Geiger et al.

(10) **Patent No.:** **US D643,763 S**

(45) **Date of Patent:** **** Aug. 23, 2011**

(54) **COLLAR PLUG-IN FOR A UTILITY METER**

Primary Examiner — Antoine D Davis

(75) Inventors: **Franklin Christiaan Geiger**, North Vancouver (CA); **Keith Richard Martin**, Burnaby (CA); **Mohammad Tootoonian Mashhad**, Burnaby (CA)

(57) **CLAIM**

We claim the ornamental design for a “collar plug-in for a utility meter”, as shown.

(73) Assignee: **Tantalus Systems Corp.**

(**) Term: **14 Years**

DESCRIPTION

(21) Appl. No.: **29/347,775**

(22) Filed: **Jun. 1, 2010**

(51) **LOC (9) Cl.** **10-04**

(52) **U.S. Cl.** **D10/99**

(58) **Field of Classification Search** D10/99–100;
324/142, 117, 74, 127, 107, 13 R; 364/483,
364/492, 493, 569, 577, 481; 340/538, 539,
340/657, 825.16; 702/60–62, 85; 220/4.02,
220/527, 535; 439/146, 517; 70/32, 33,
70/34, 14, 164, 226, 233, 386

See application file for complete search history.

FIG. 1 is a front view of the plug-in showing our new design; FIG. 2 is a side view of the plug-in, it being understood that the opposite side view not shown, is a substantial image thereof;

FIG. 3 is a bottom view of the plug-in;

FIG. 4 is a front perspective view of the plug-in;

FIG. 5 is a front view of a second embodiment of the plug-in;

FIG. 6 is a side view of a second embodiment of the plug-in, it being understood that the opposite side view not shown, is a substantial image thereof;

FIG. 7 is a bottom view of a second embodiment of the plug-in; and,

FIG. 8 is a front perspective view of a second embodiment of the plug-in.

The utility power pins that normally protrude from the back, are not shown for simplicity of illustration. The components shown in broken lines are for illustration only and form no part of the design.

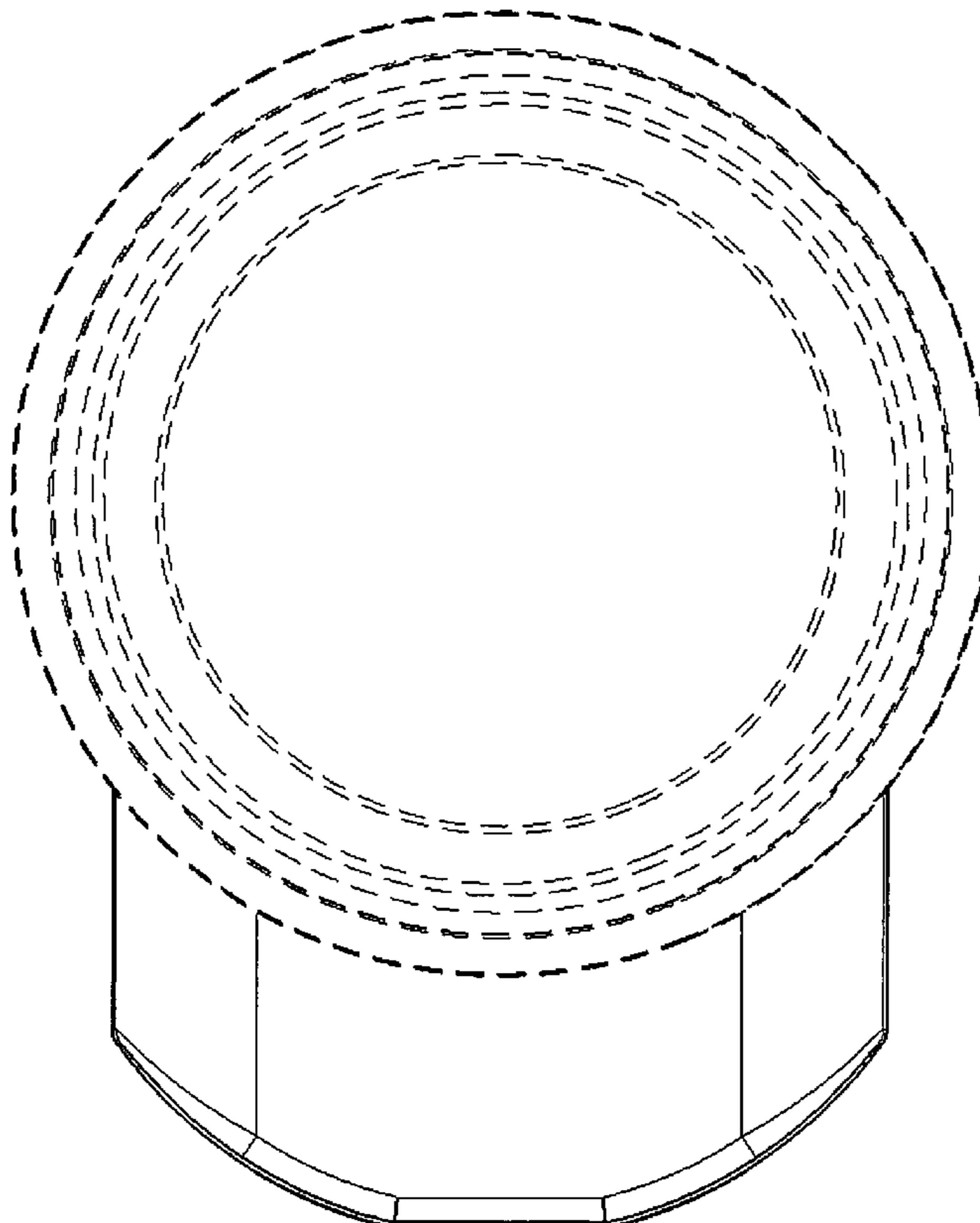
(56) **References Cited**

U.S. PATENT DOCUMENTS

6,684,670	B1 *	2/2004	Agbay et al.	70/164
7,040,920	B2 *	5/2006	Johnson et al.	439/517
7,182,632	B1	2/2007	Johnson	
7,287,659	B2 *	10/2007	Higgins	220/4.02

* cited by examiner

1 Claim, 8 Drawing Sheets



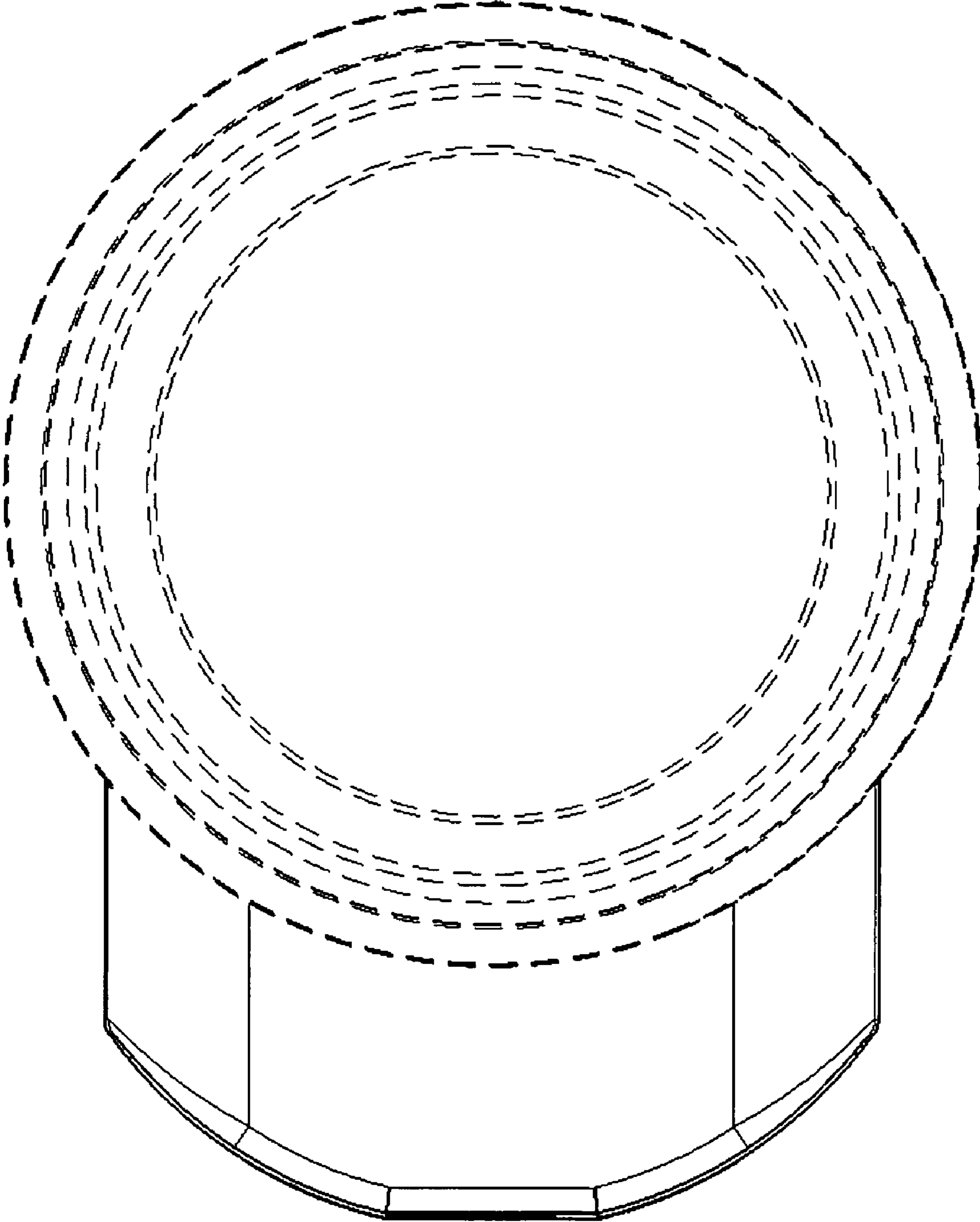


FIGURE 1

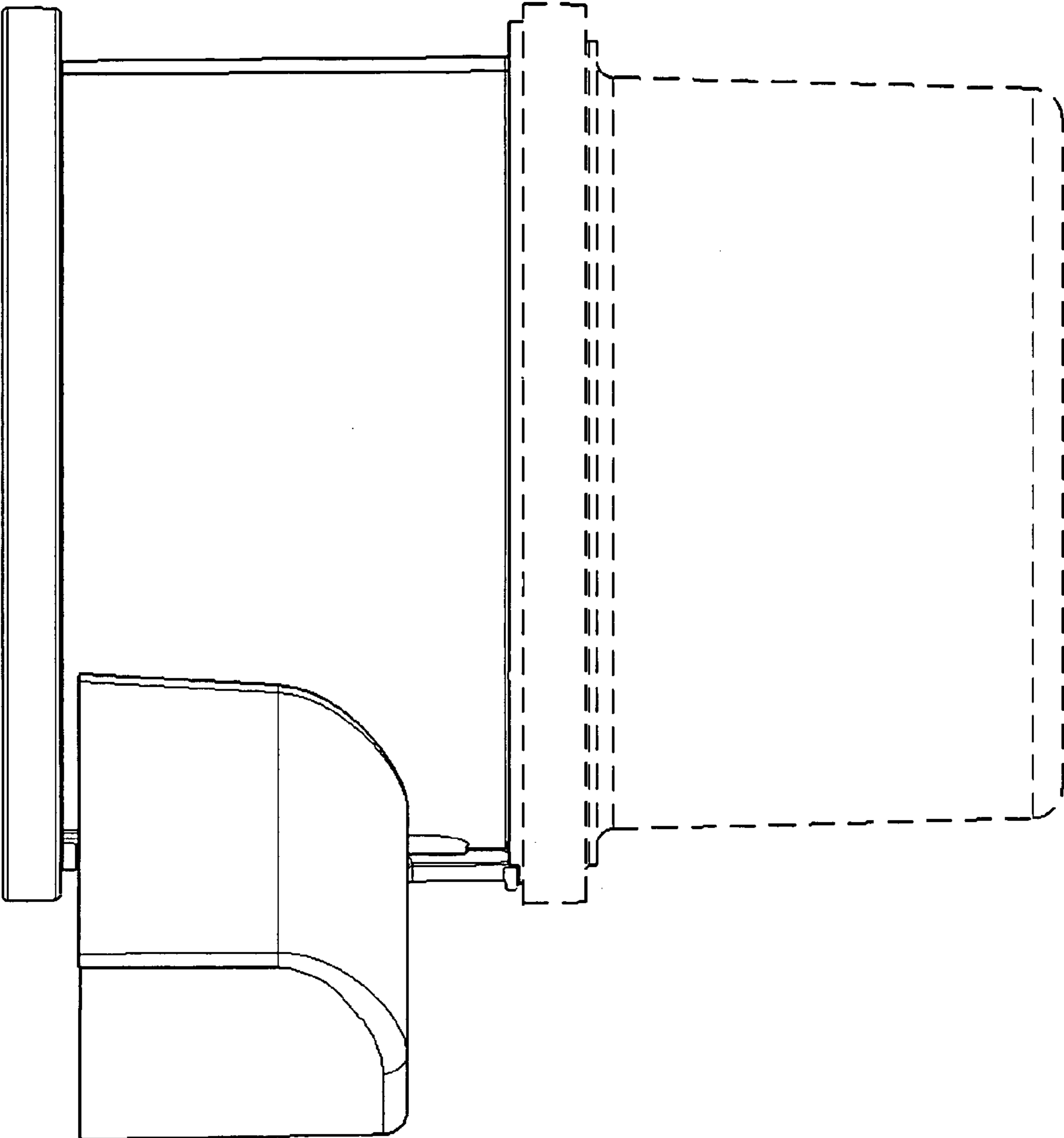


FIGURE 2

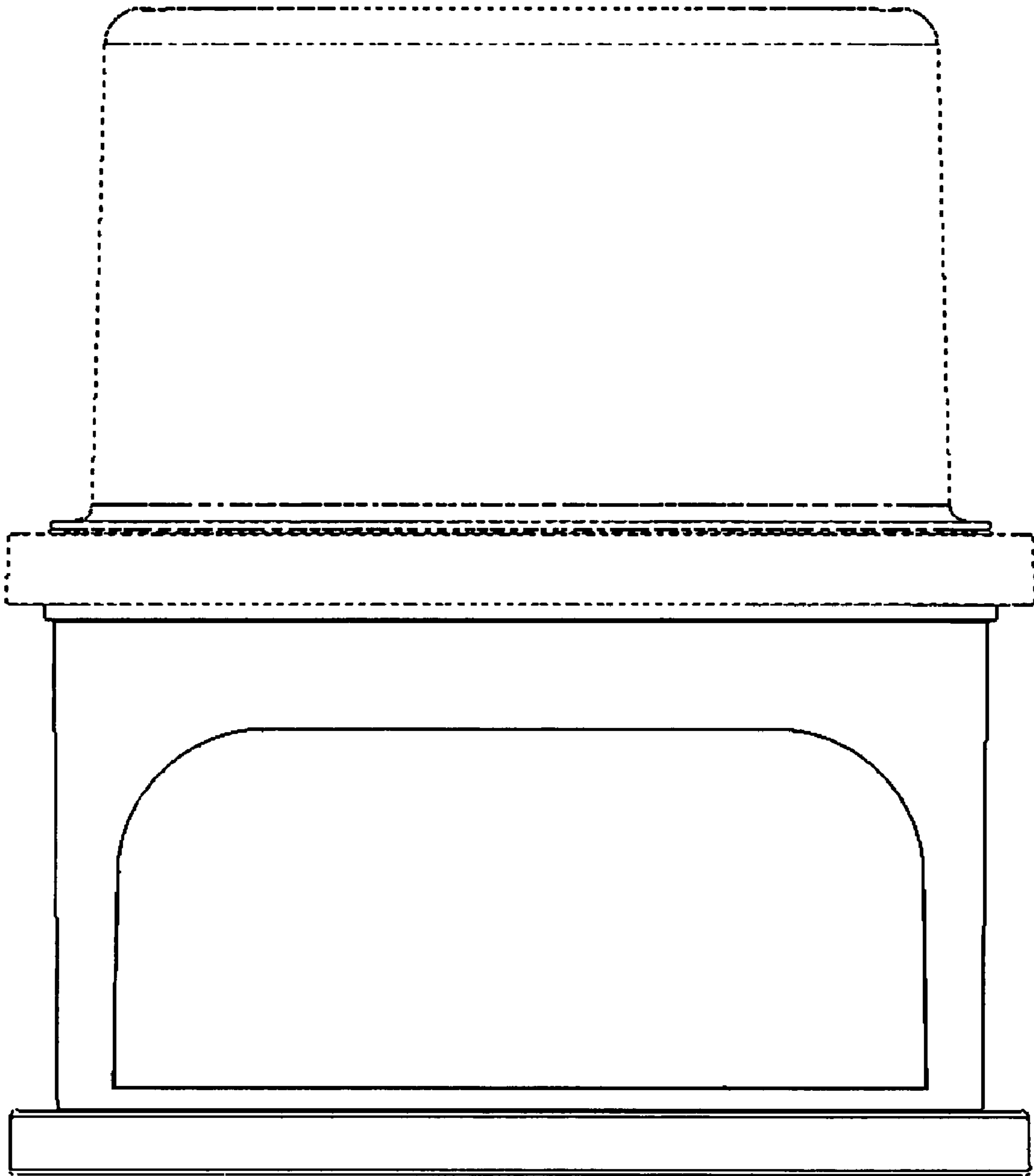


FIGURE 3

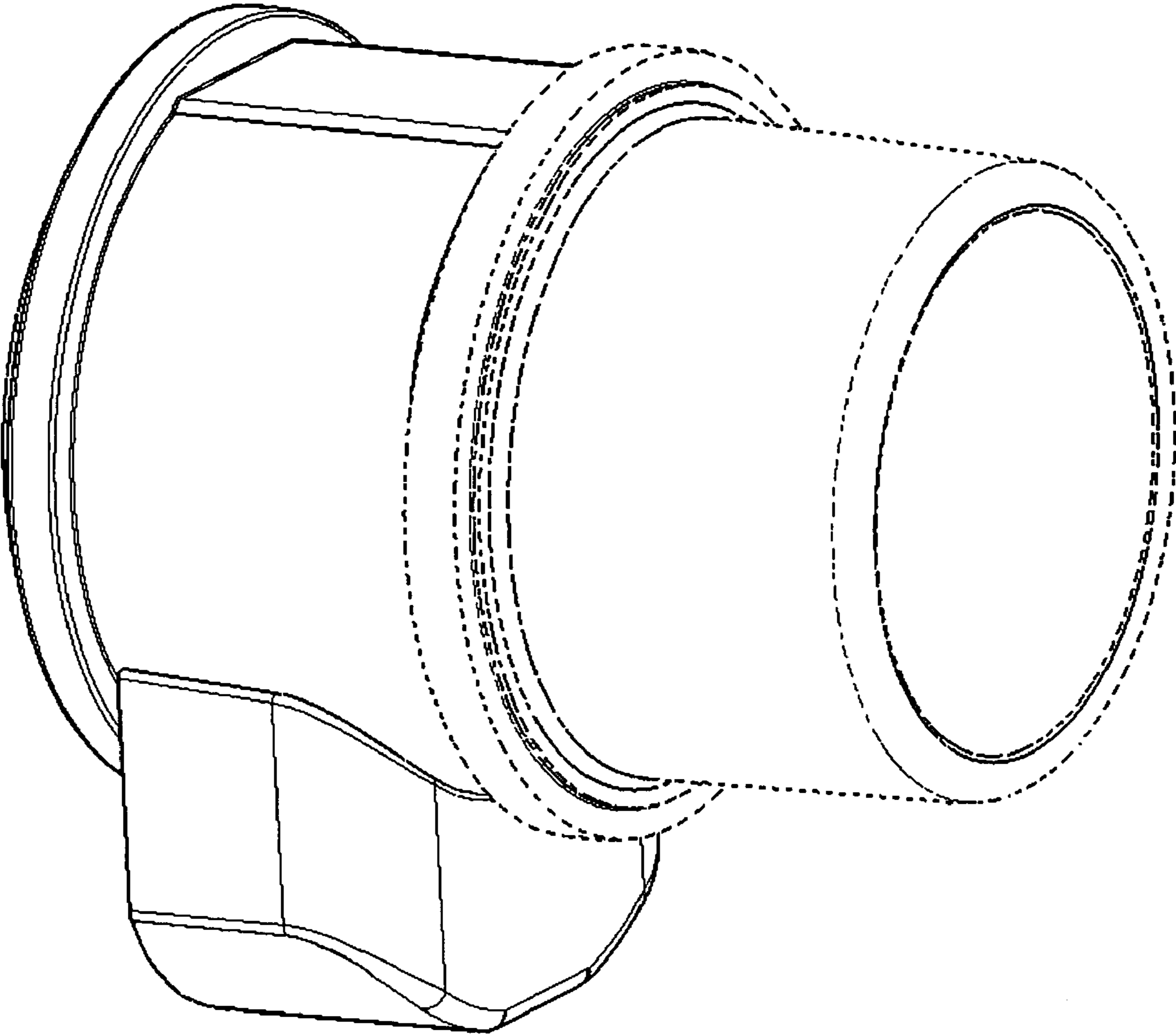


FIGURE 4

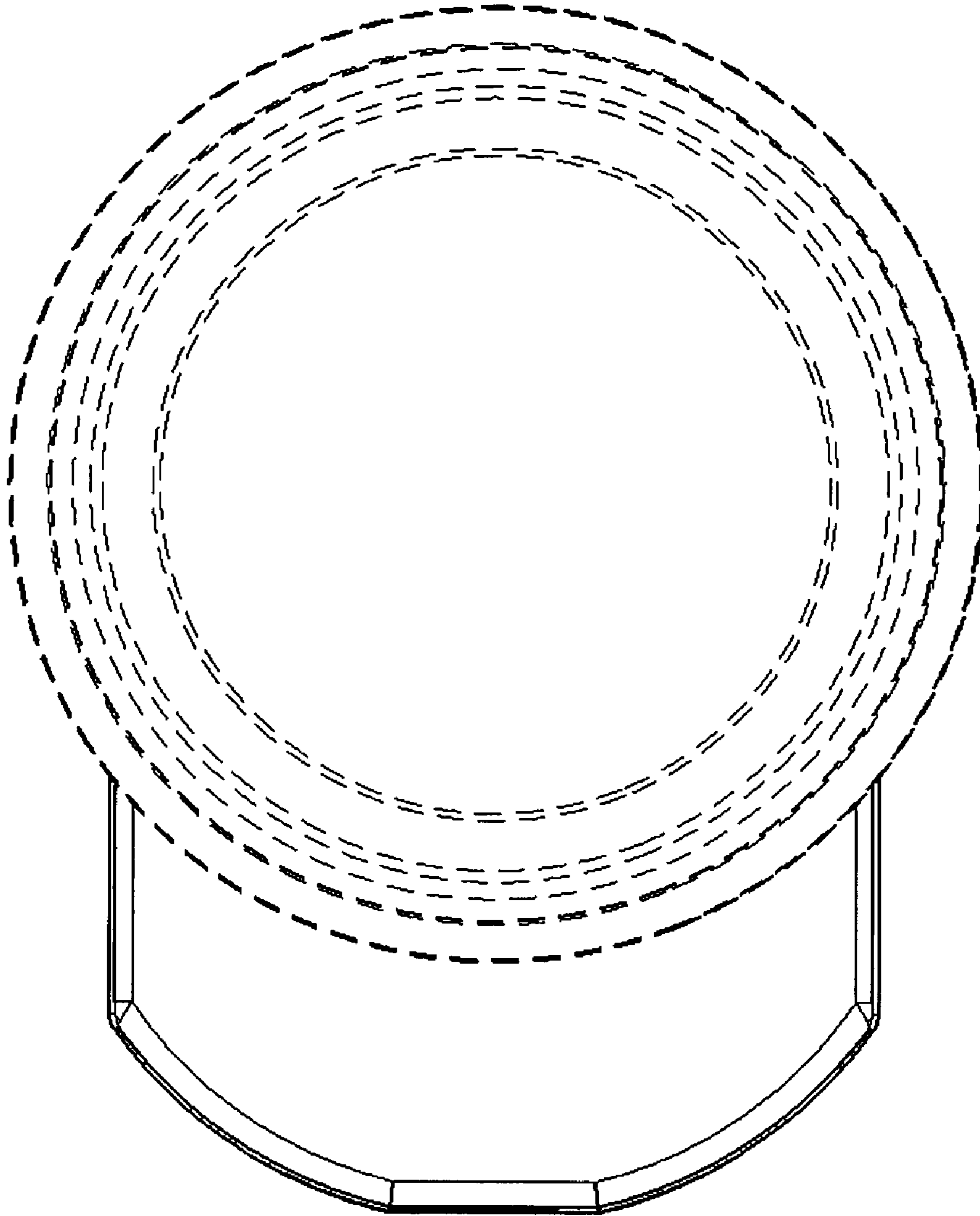


FIGURE 5

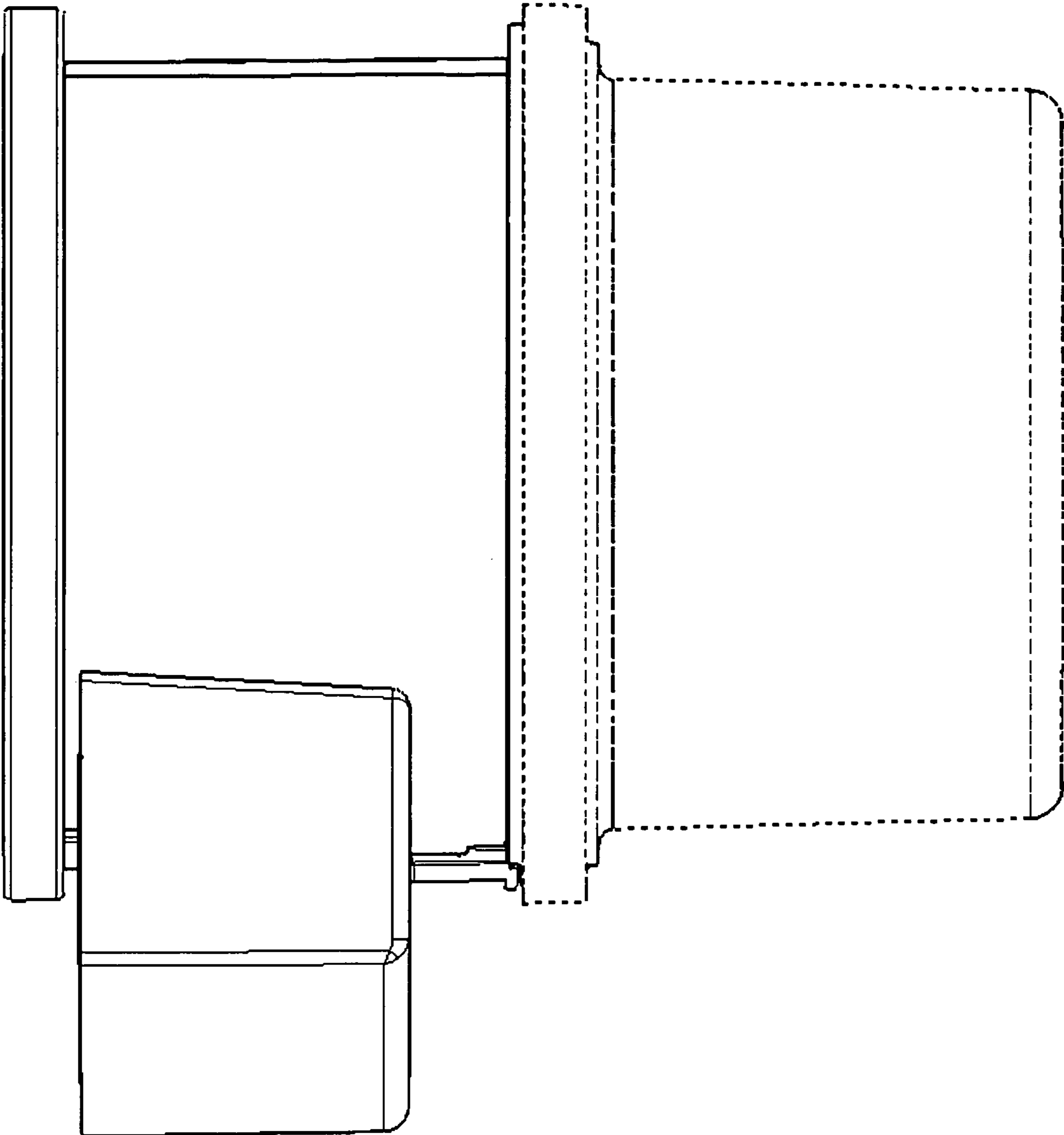


FIGURE 6

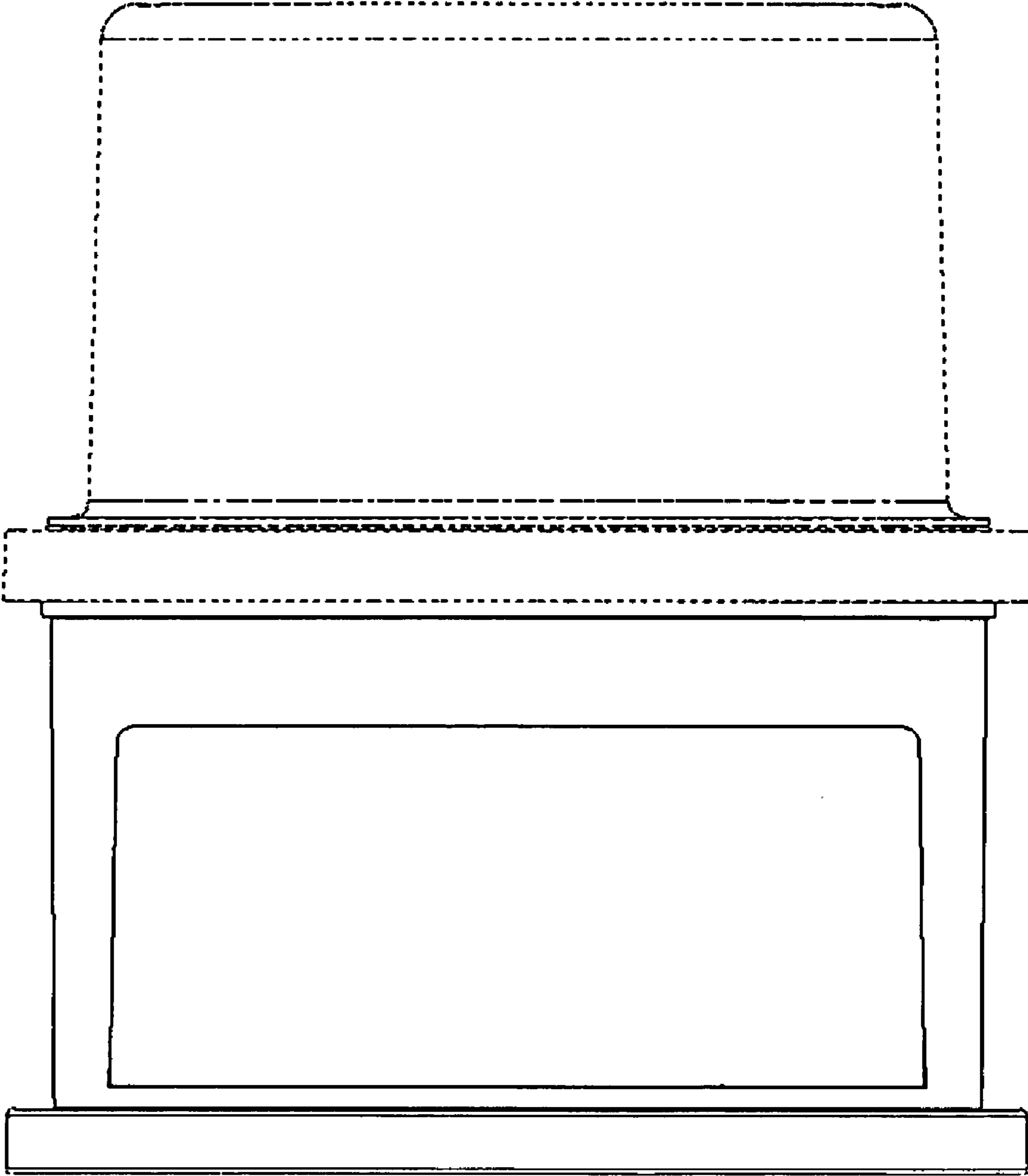


FIGURE 7

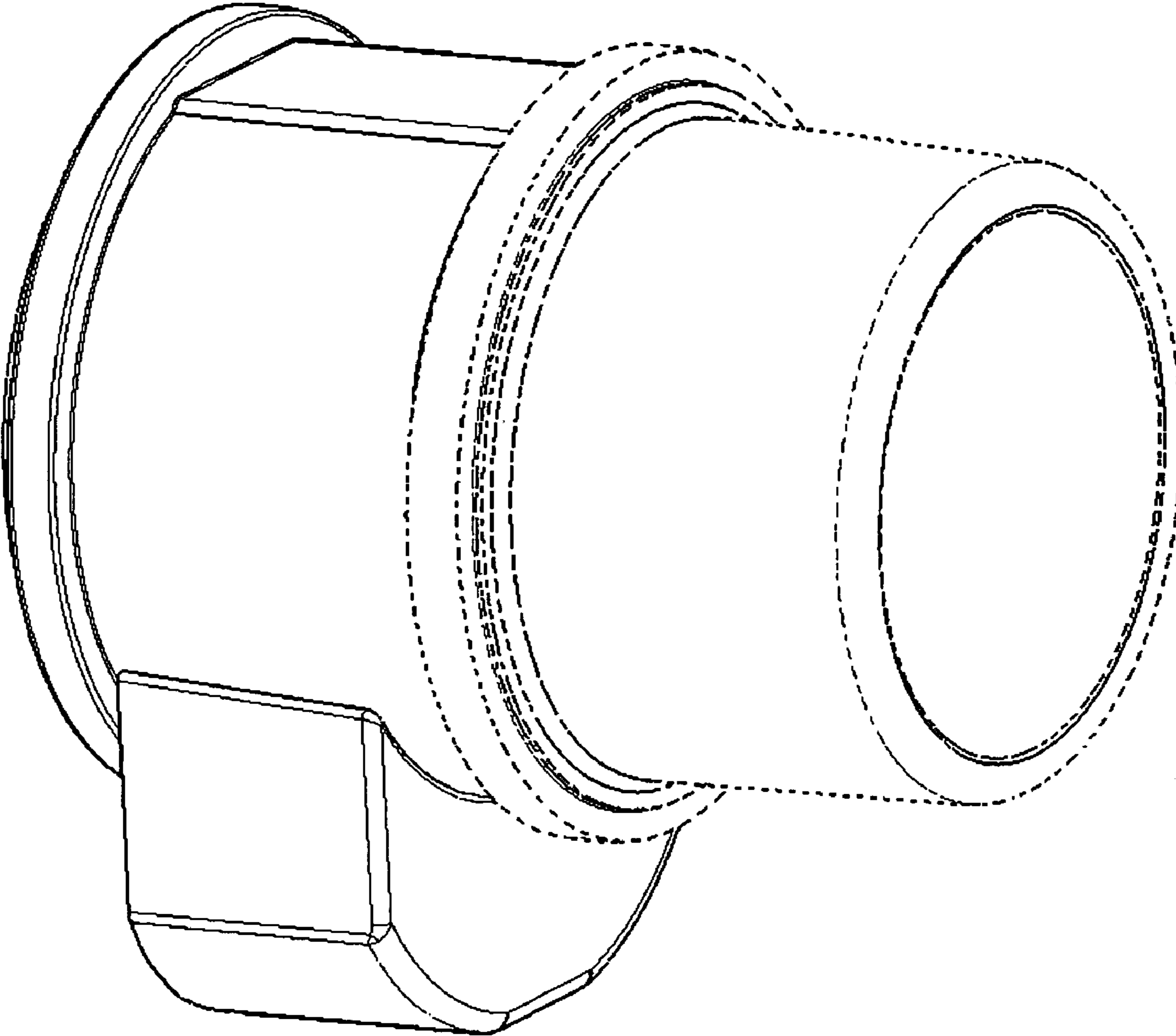


FIGURE 8