



US00D643762S

(12) **United States Design Patent**
Hondoh

(10) **Patent No.:** **US D643,762 S**

(45) **Date of Patent:** **** Aug. 23, 2011**

(54) **PRESSURE DETECTOR**

(75) Inventor: **Masahide Hondoh**, Sayama (JP)

(73) Assignee: **Kabushiki Kaisha Saginomiya Seisakusho**, Tokyo (JP)

(**) Term: **14 Years**

(21) Appl. No.: **29/382,024**

(22) Filed: **Dec. 28, 2010**

(30) **Foreign Application Priority Data**

Jul. 1, 2010 (JP) 2010-016150

(51) **LOC (9) Cl.** **10-04**

(52) **U.S. Cl.** **D10/85**

(58) **Field of Classification Search** D10/85;
200/61.22; 73/146.5; 340/447, 825.54; 377/8

See application file for complete search history.

(56) **References Cited**

U.S. PATENT DOCUMENTS

D447,969 S * 9/2001 Shimomoto et al. D10/85

* cited by examiner

Primary Examiner — Antoine D Davis

(74) *Attorney, Agent, or Firm* — Kratz, Quintos & Hanson, LLP

(57) **CLAIM**

The ornamental design for a pressure detector, as shown and described.

DESCRIPTION

FIG. 1 is a side elevational view of a pressure detector showing my new design;

FIG. 2 is a side elevational view of a pressure detector turned 90° from that of FIG. 1;

FIG. 3 is a rear view thereof;

FIG. 4 is a front view thereof; and,

FIG. 5 is a front, right side perspective view thereof.

The broken line portions of the figure drawings is included to show environmental subject matter only and forms no part of the covered design.

1 Claim, 3 Drawing Sheets

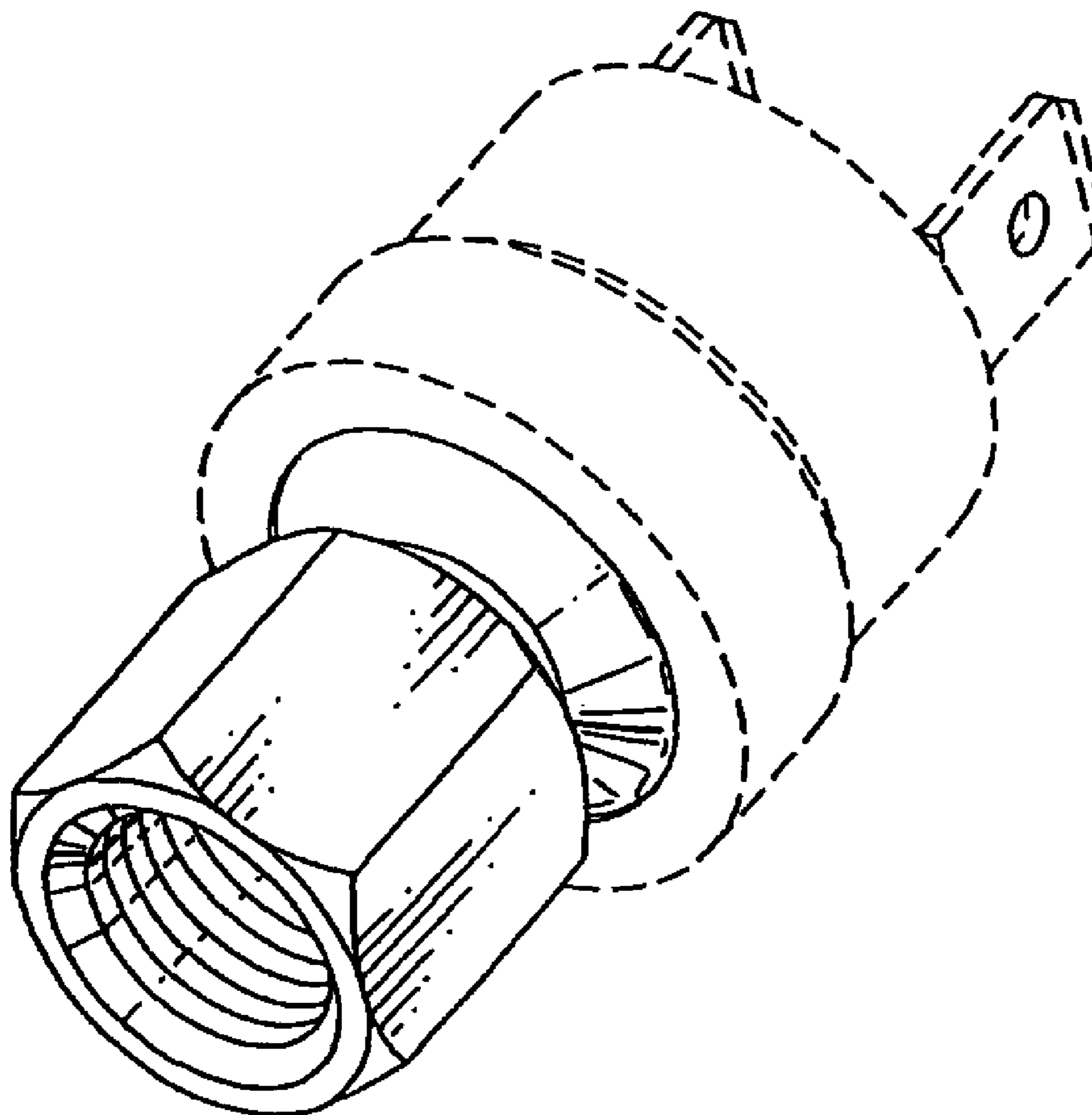


FIG. 1

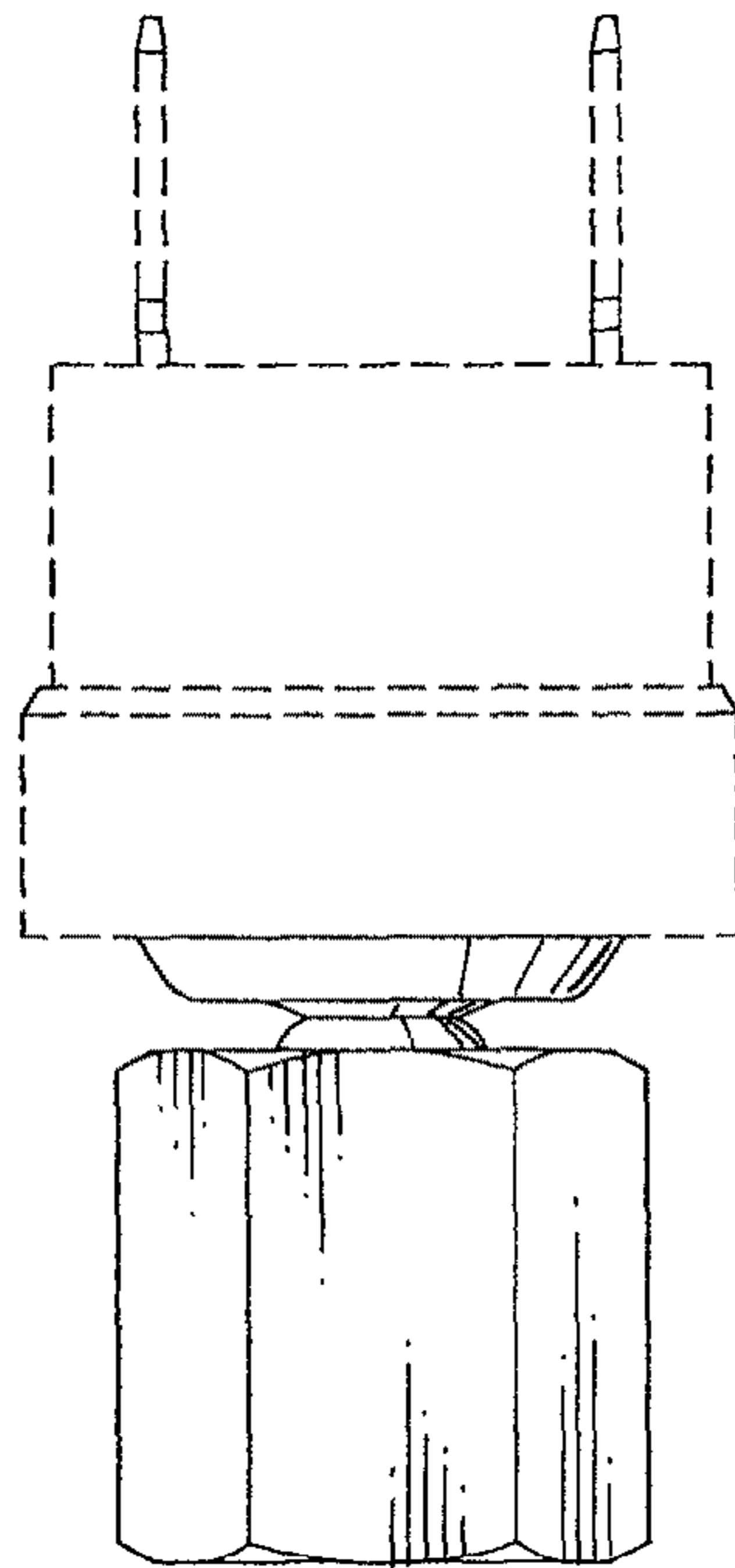


FIG. 2

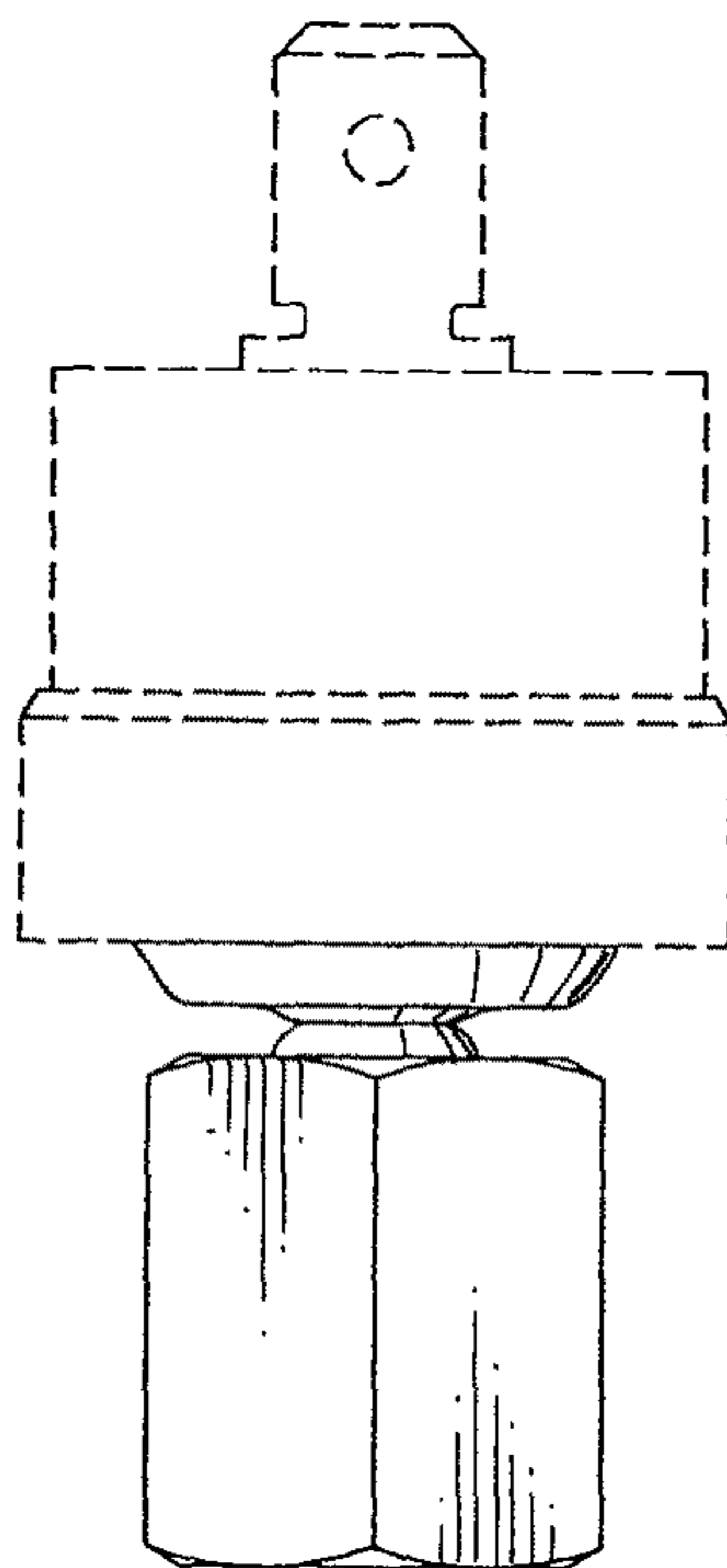


FIG. 3

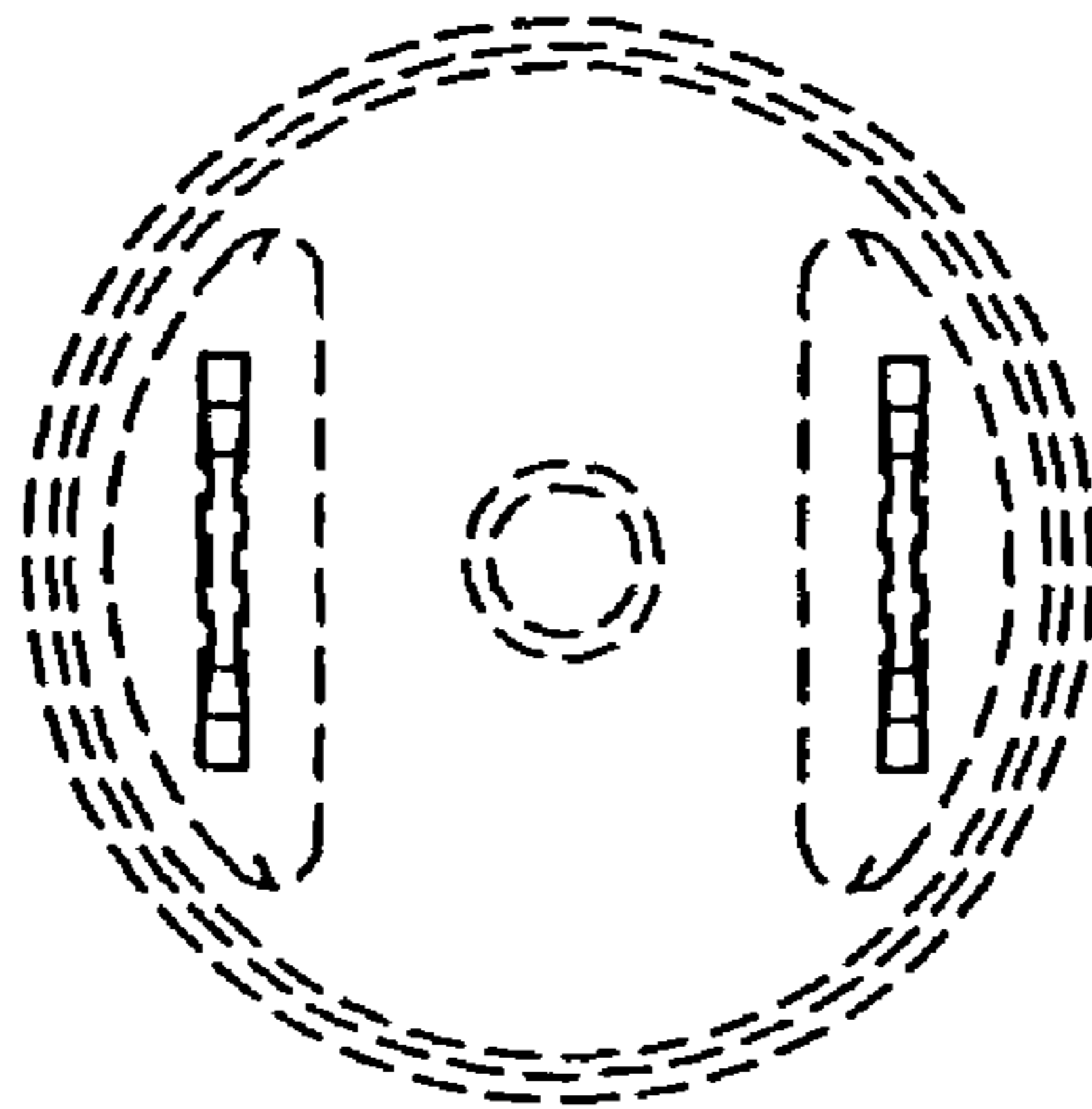


FIG. 4

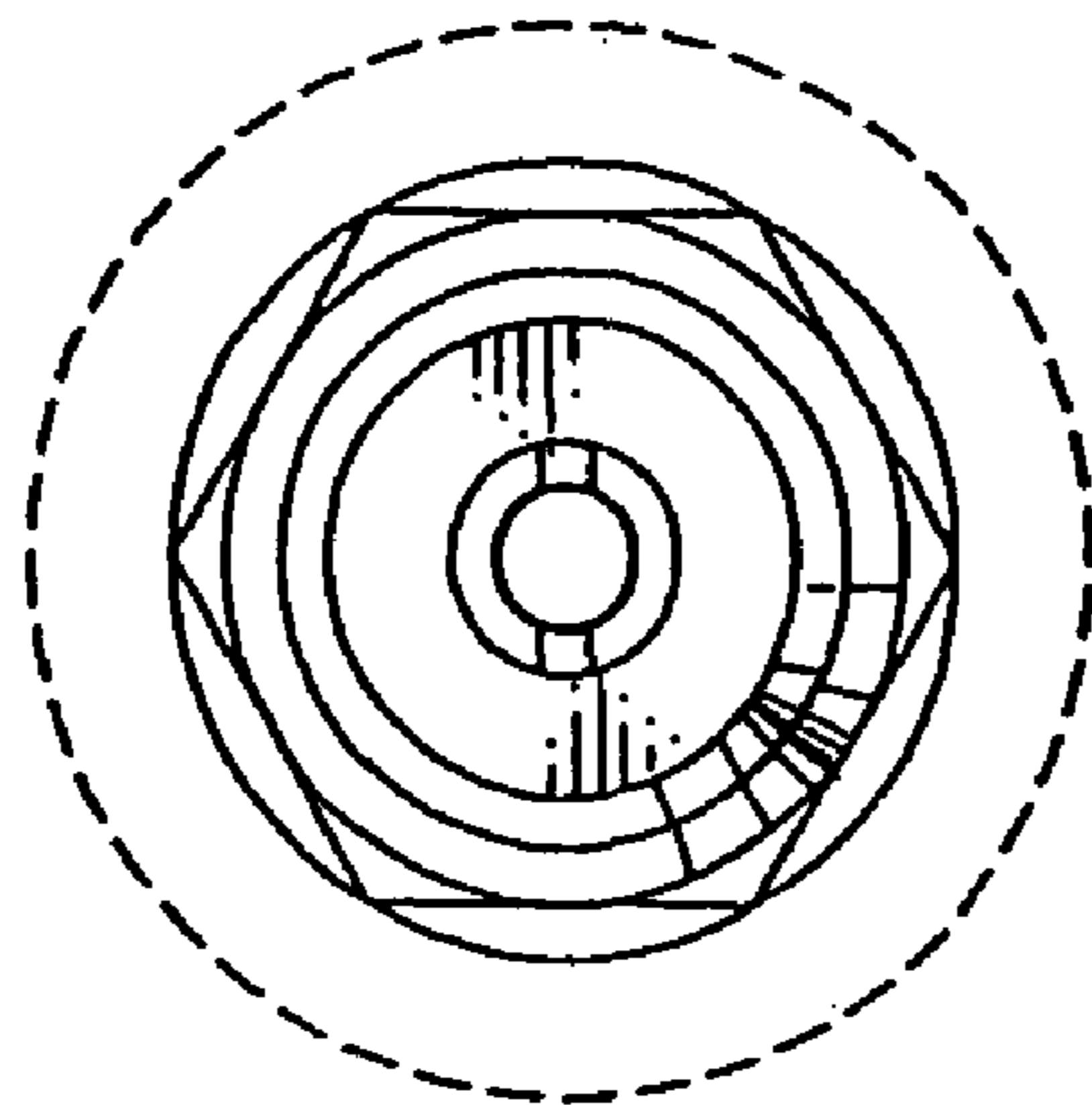


FIG. 5

