



US00D643755S

(12) **United States Design Patent**  
**Nies et al.**

(10) **Patent No.:** **US D643,755 S**  
(45) **Date of Patent:** **\*\* Aug. 23, 2011**

(54) **COMBINED MULTI-ZONE WATER TIMER AND CONTROLLER**

(75) Inventors: **Juergen Nies**, Winchester, VA (US); **Ha Van Duong**, Winchester, VA (US); **Vicky Ann Michael**, Winchester, VA (US); **Richard King Boyle**, Winchester, VA (US); **James Daniel Carter**, Gerrardstown, WV (US); **Christopher R. Boggs**, Gahanna, OH (US); **Nathan Durflinger**, Youngstown, OH (US); **Don Meves**, Columbus, OH (US); **Dana Koppes**, Worthington, OH (US); **Eric Fickas**, Powell, OH (US)

5,826,619 A	10/1998	Roman	
D430,044 S	8/2000	Clivio	
D431,195 S	9/2000	Clivio	
6,283,139 B1	9/2001	Symonds et al.	
D451,037 S	11/2001	Jacobs et al.	
D451,411 S *	12/2001	Jacobs et al.	..... D10/40
D451,412 S	12/2001	Jacobs et al.	
6,337,635 B1	1/2002	Ericksen et al.	
6,397,888 B1	6/2002	Wang	
D467,187 S	12/2002	Clivio	
D477,287 S	7/2003	Roman	
D485,502 S	1/2004	Clivio	
6,719,010 B1	4/2004	Yi-Chang	
D511,979 S	11/2005	Echito et al.	
6,986,364 B1	1/2006	Wang	
7,252,113 B2	8/2007	Jacobs et al.	

(Continued)

(73) Assignee: **Melnor, Inc.**, Winchester, VA (US)

(\*\*) Term: **14 Years**

(21) Appl. No.: **29/379,748**

(22) Filed: **Nov. 23, 2010**

(51) **LOC (9) Cl.** ..... **10-03**

(52) **U.S. Cl.** ..... **D10/40**

(58) **Field of Classification Search** ..... D10/40;  
239/68, 69, 70; 137/624.11, 624.12, 624.21,  
137/624.22, 624.18; D23/245

See application file for complete search history.

(56) **References Cited**

U.S. PATENT DOCUMENTS

3,097,762 A	7/1963	Charnota et al.	
4,592,505 A	6/1986	Bruninga et al.	
4,633,905 A	1/1987	Wang	
4,708,264 A	11/1987	Bruninga	
4,722,478 A	2/1988	Fletcher et al.	
D298,962 S	12/1988	Bruninga	
4,807,664 A	2/1989	Wilson et al.	
4,858,827 A *	8/1989	Fletcher et al.	..... 239/69
D304,224 S	10/1989	Wilson et al.	
5,101,859 A	4/1992	Roman	
5,143,290 A	9/1992	Wang	
5,402,812 A *	4/1995	Moineau et al.	..... 137/1
D365,771 S	1/1996	Clivio	
D377,316 S	1/1997	Roman et al.	

Primary Examiner — Lucy Lieberman

(74) *Attorney, Agent, or Firm* — Westerman, Hattori, Daniels & Adrian, LLP

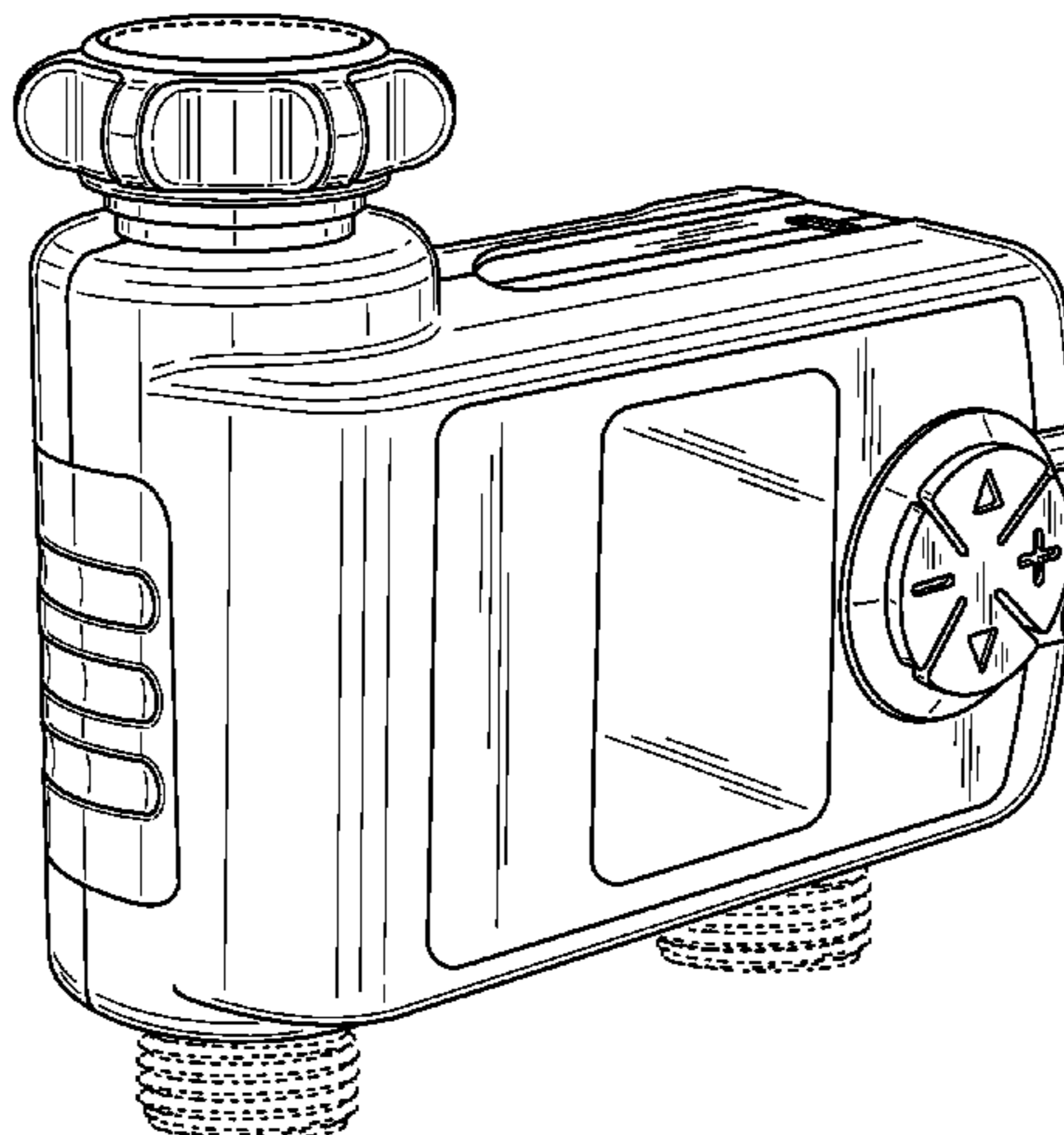
(57) **CLAIM**

The ornamental design for a combined multi-zone water timer and controller, as shown and described.

**DESCRIPTION**

FIG. 1 is a perspective view of a combined multi-zone water timer and controller;  
FIG. 2 is a front elevation view of the combined multi-zone water timer and controller;  
FIG. 3 is a back elevation view of the combined multi-zone water timer and controller;  
FIG. 4 is a top plan view of the combined multi-zone water timer and controller;  
FIG. 5 is a bottom plan view of the combined multi-zone water timer and controller;  
FIG. 6 is a left side elevation view of the combined multi-zone water timer and controller; and,  
FIG. 7 is a right side elevation view of the combined multi-zone water timer and controller.  
The elements in broken lines show environmental structure and form no part of the claimed design.

**1 Claim, 5 Drawing Sheets**



# US D643,755 S

Page 2

---

## U.S. PATENT DOCUMENTS

D559,708 S	1/2008	Michael et al.	D605,534 S *	12/2009	Zore et al. ....	D10/40
D567,680 S	4/2008	Michael et al.	D605,962 S	12/2009	Tsou et al.	
D567,681 S	4/2008	Michael et al.	7,810,515 B2 *	10/2010	Nies et al. ....	137/78.3
7,404,415 B2 *	7/2008	Jacobs et al. ....	D630,952 S *	1/2011	Nies et al. ....	D10/40
D582,794 S	12/2008	Stekelenburg				

\* cited by examiner

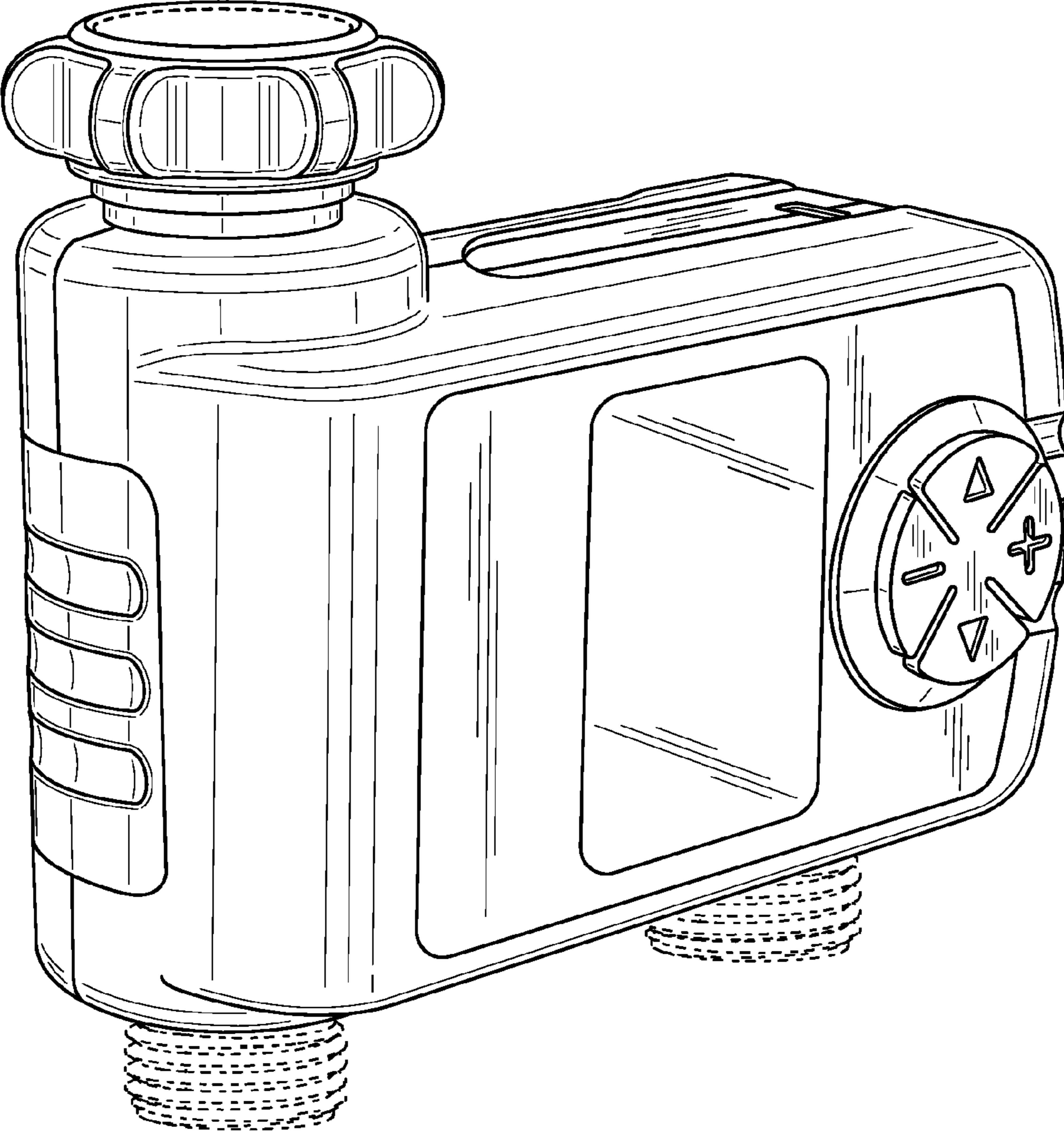


FIG.1

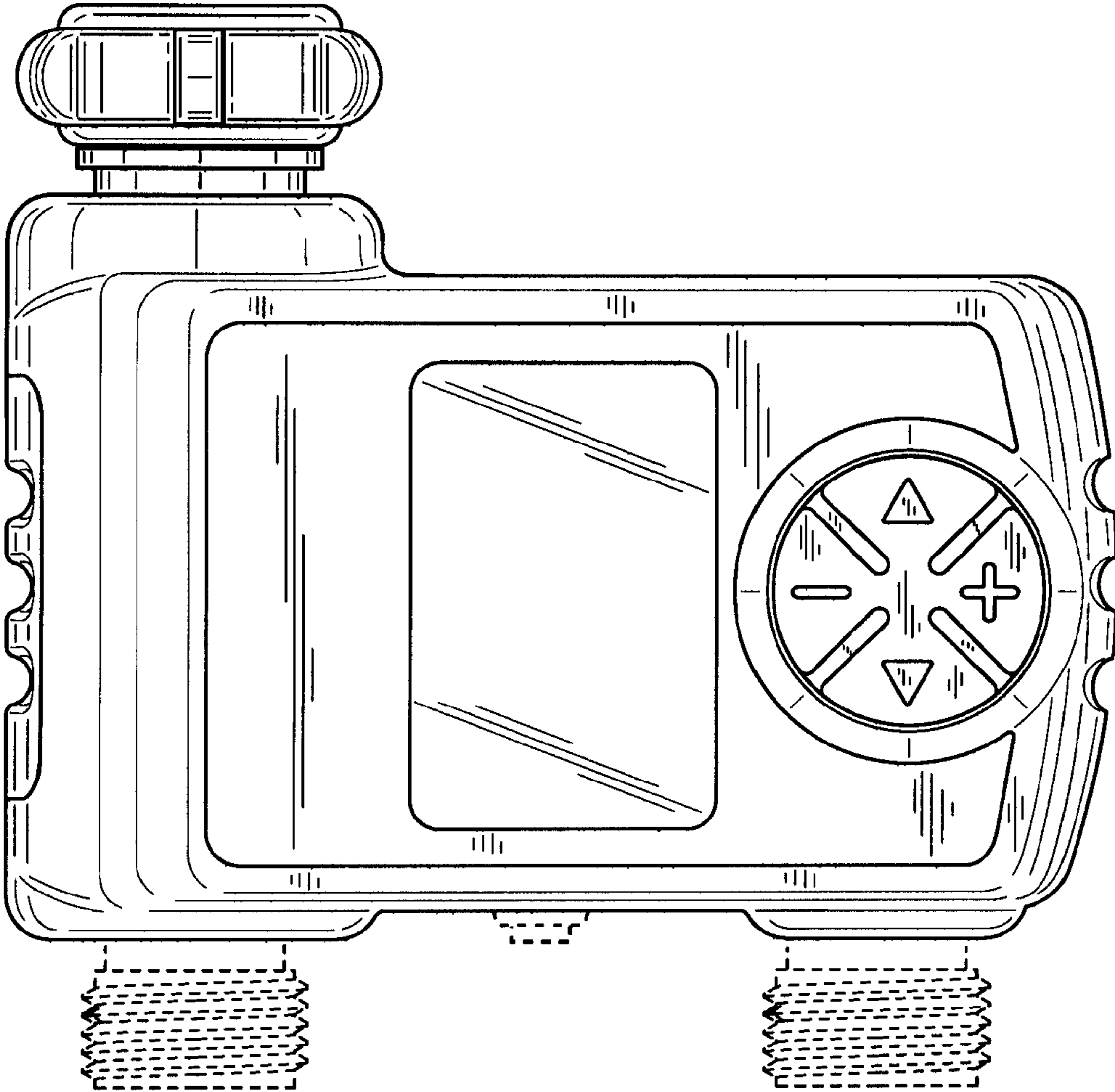


FIG.2

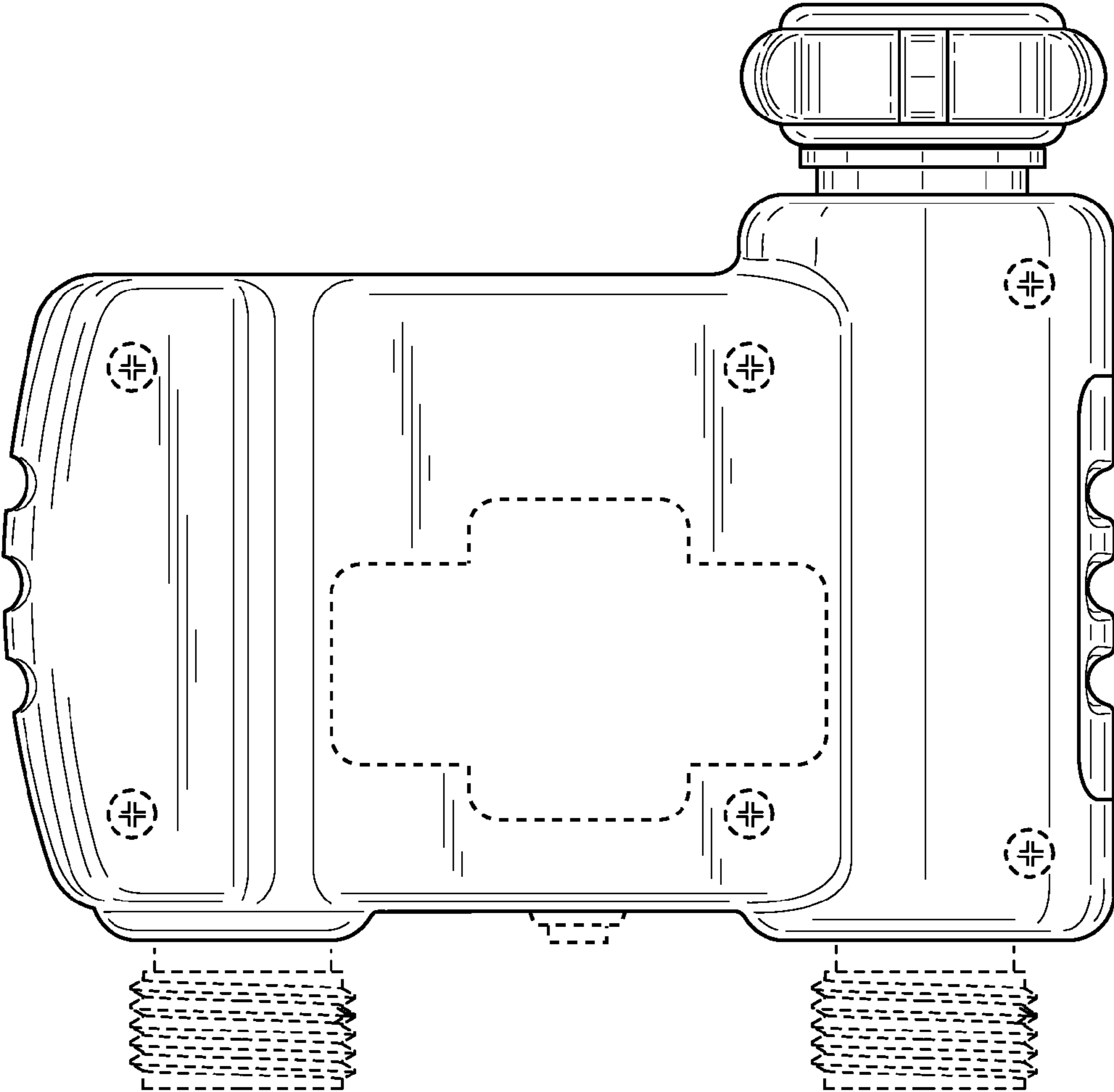


FIG.3

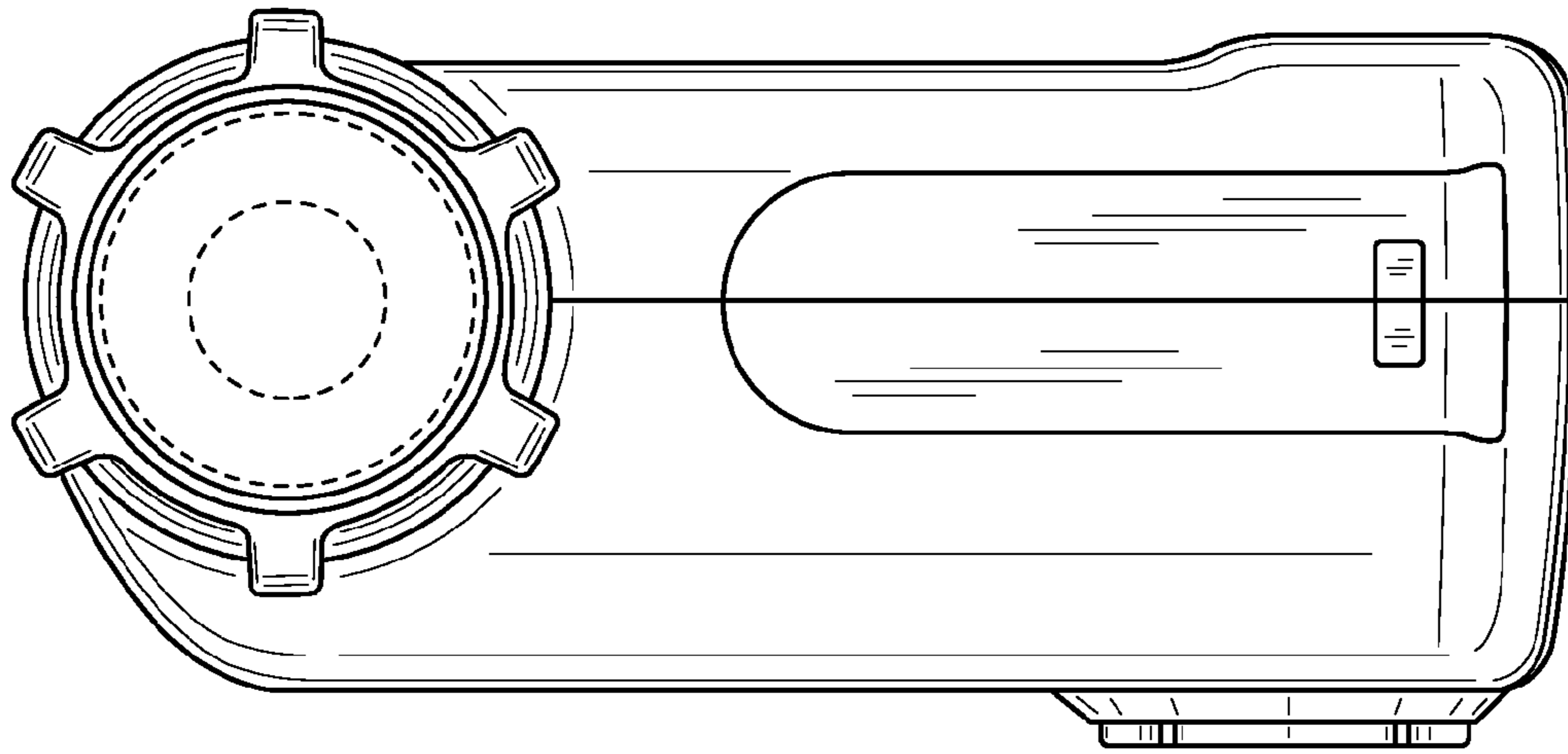


FIG. 4

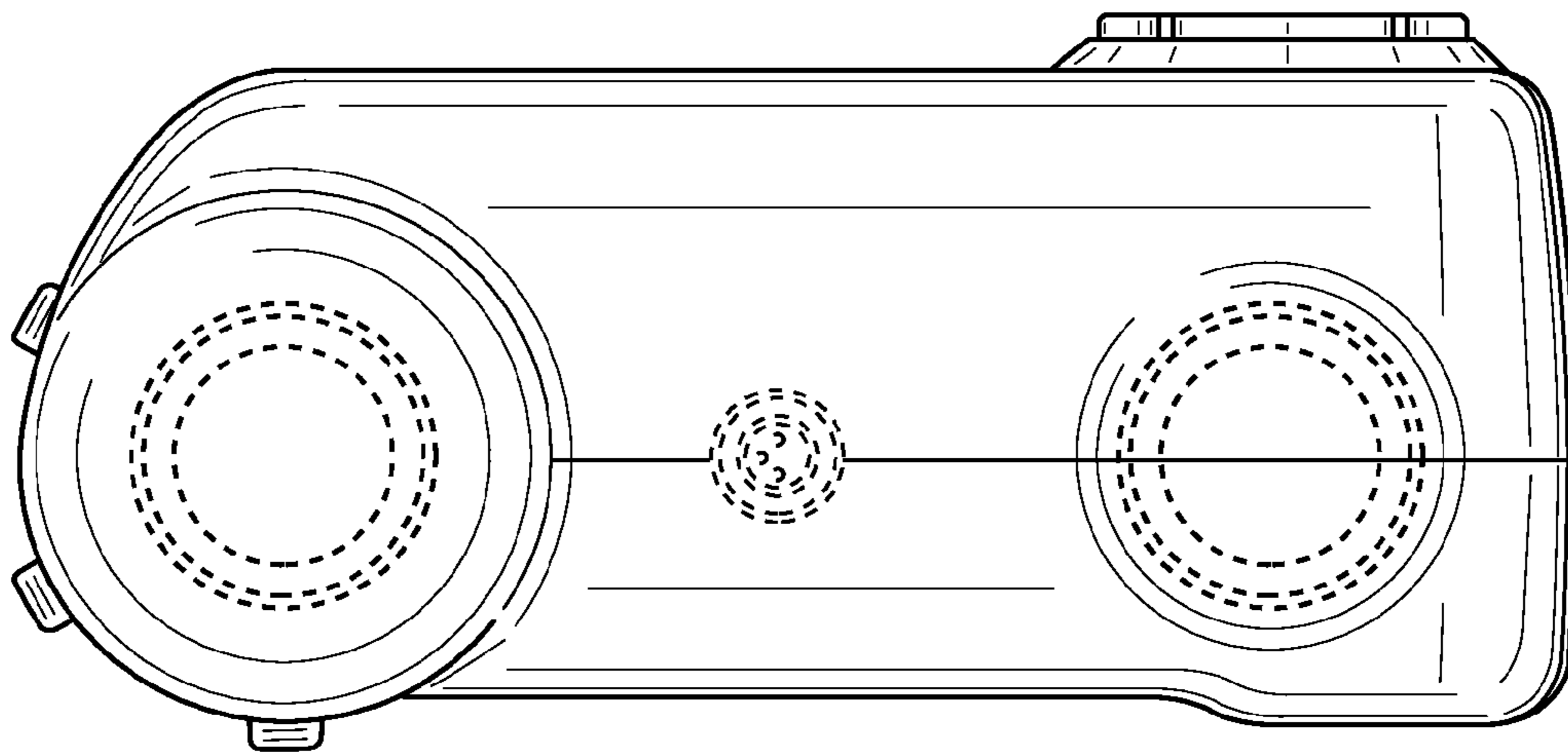


FIG. 5

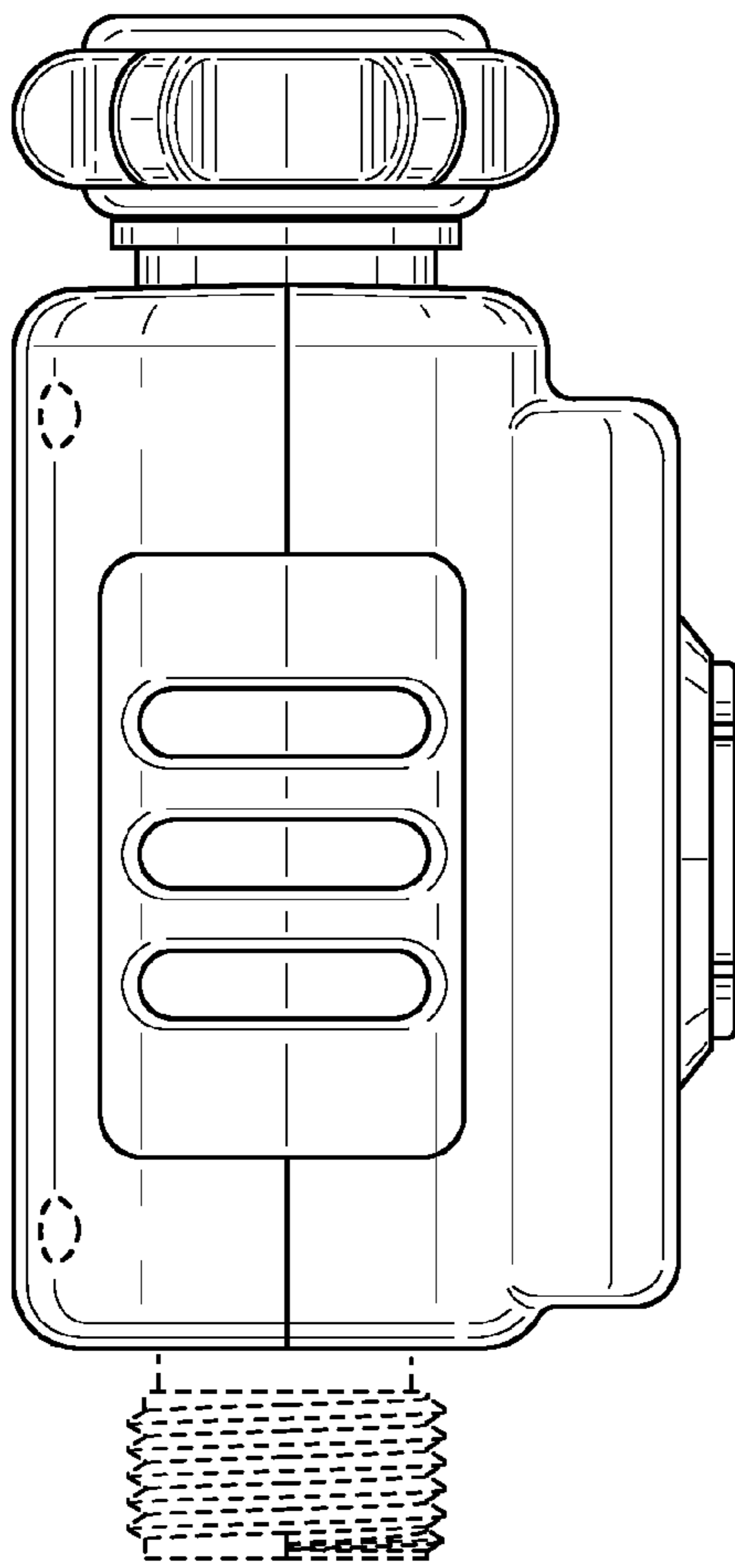


FIG. 6

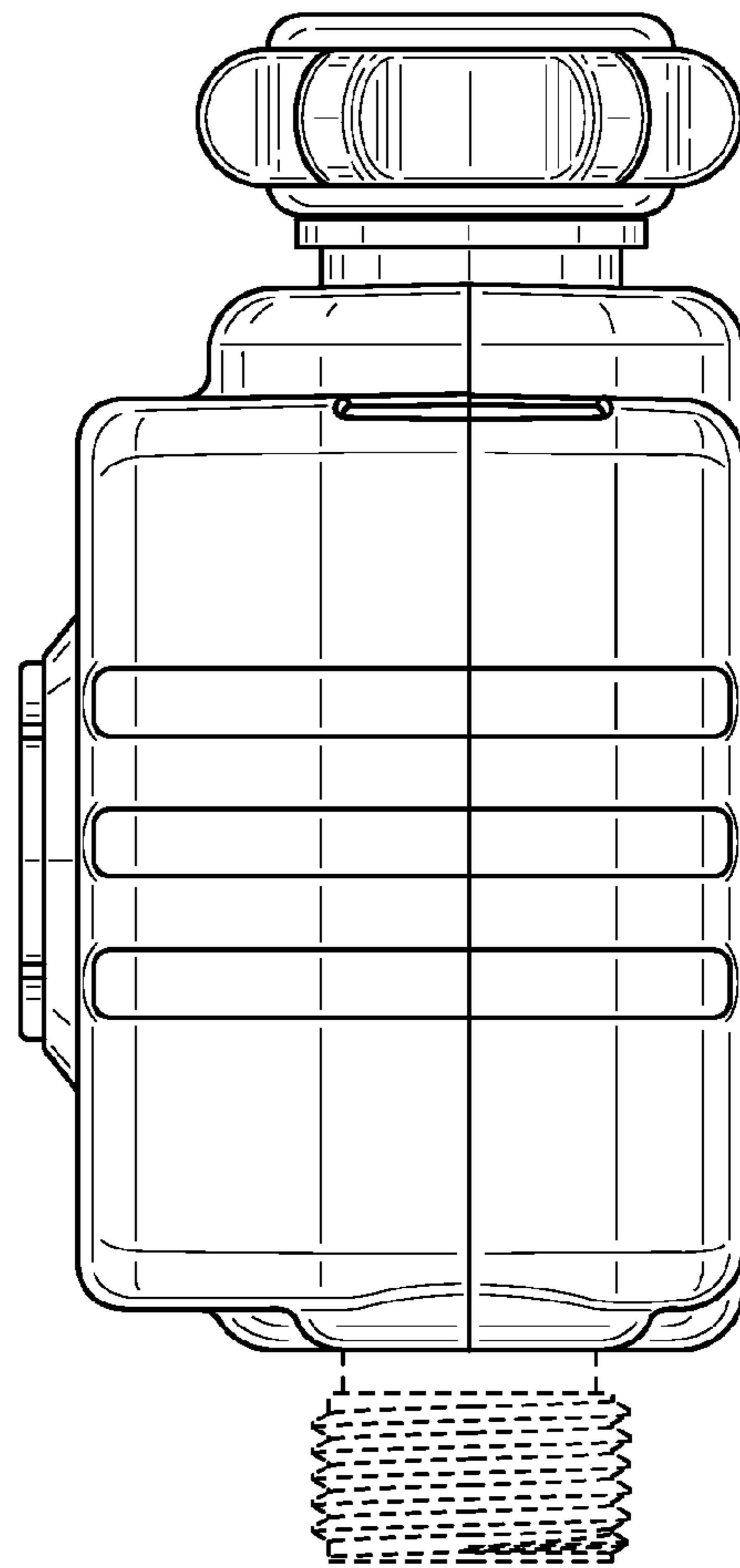


FIG. 7