



US00D643749S

(12) **United States Design Patent**  
**Dietvorst**

(10) **Patent No.:** **US D643,749 S**

(45) **Date of Patent:** **\*\* Aug. 23, 2011**

(54) **CONTAINER**

(75) Inventor: **Taco Dietvorst**, Eindhoven (NL)

(73) Assignee: **Reckitt Benckiser Inc.**, Parsippany, NJ  
(US)

(\*\*) Term: **14 Years**

(21) Appl. No.: **29/376,620**

(22) Filed: **Oct. 8, 2010**

(30) **Foreign Application Priority Data**

Apr. 14, 2010 (EM) ..... 001208565-0004

(51) **LOC (9) Cl.** ..... **09-03**

(52) **U.S. Cl.** ..... **D9/734**

(58) **Field of Classification Search** ..... D9/500,  
D9/501, 503, 504, 529, 531, 537, 730, 734,  
D9/763, 772, 779, 780; D6/512, 515, 518,  
D6/522, 523; 312/34.4; 426/35; 220/258.3;  
206/210; 604/289

See application file for complete search history.

(56) **References Cited**

**U.S. PATENT DOCUMENTS**

D467,106 S \* 12/2002 Bohay ..... D6/523  
6,607,514 B2 \* 8/2003 Reese ..... 604/289

D480,312 S \* 10/2003 Mungur et al. .... D9/537  
D504,794 S \* 5/2005 Sellars ..... D6/522  
D511,101 S \* 11/2005 Nottingham et al. .... D9/531  
D522,780 S \* 6/2006 Sellars ..... D6/518  
D528,919 S \* 9/2006 Kipperman et al. .... D9/529  
D530,224 S \* 10/2006 Mattesky ..... D9/734  
D568,764 S \* 5/2008 Rankin ..... D9/734  
D589,820 S \* 4/2009 Paal et al. .... D9/734  
2003/0010787 A1 \* 1/2003 Dalton et al. .... 220/912  
2005/0046314 A1 \* 3/2005 Sellars et al. .... 312/34.4

\* cited by examiner

*Primary Examiner* — Shanda C Hill

(74) *Attorney, Agent, or Firm* — Norris McLaughlin & Marcus, P.A.

(57) **CLAIM**

The ornamental design for a container, as shown and described.

**DESCRIPTION**

FIG. 1 is a right side perspective view of a my new design for a container;

FIG. 2 is a right side elevational view thereof;

FIG. 3 is a left side elevational view thereof;

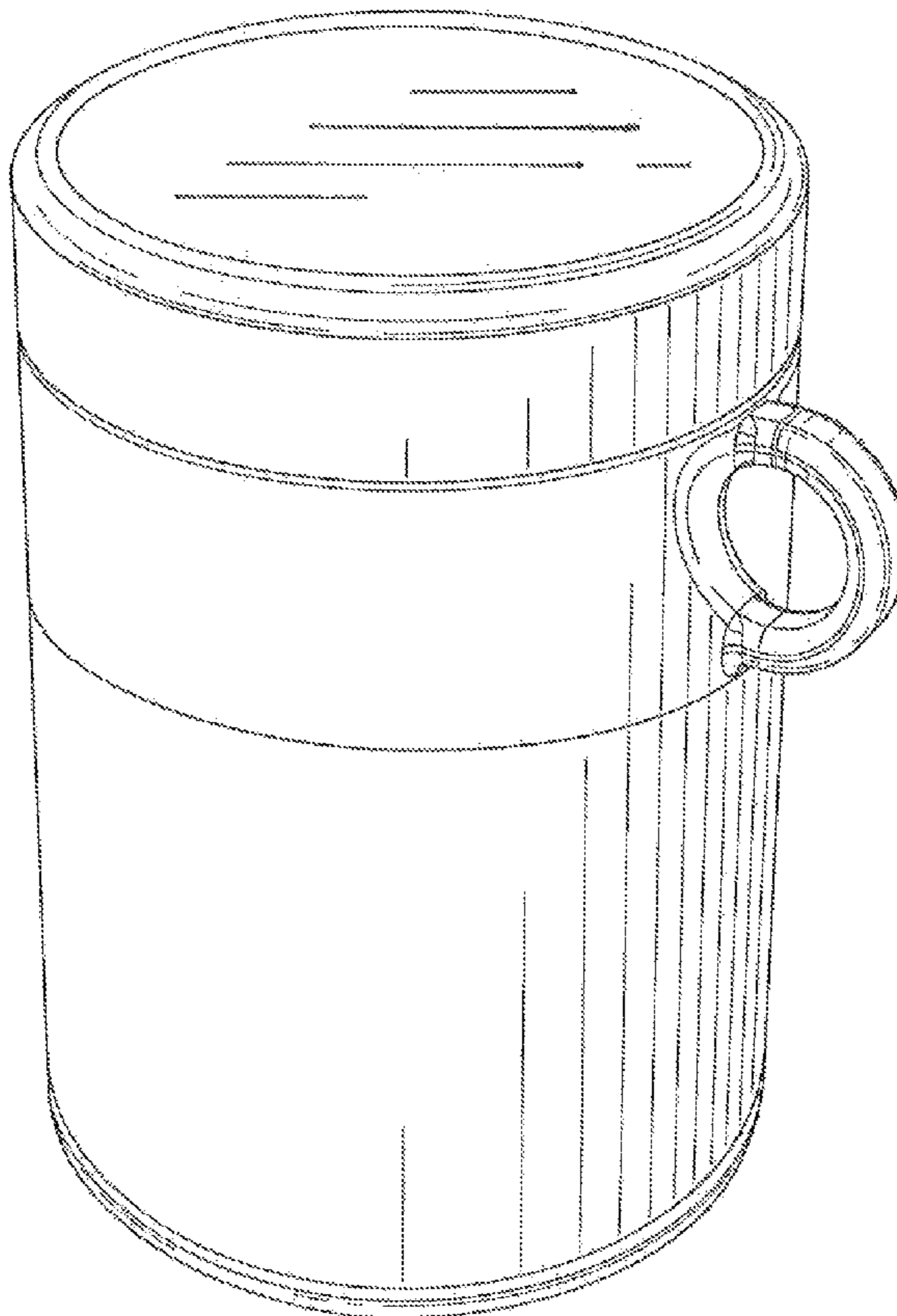
FIG. 4 is a front elevational view thereof;

FIG. 5 is a rear elevational view thereof;

FIG. 6 is a top plan view thereof; and,

FIG. 7 is a bottom plan view thereof.

**1 Claim, 7 Drawing Sheets**



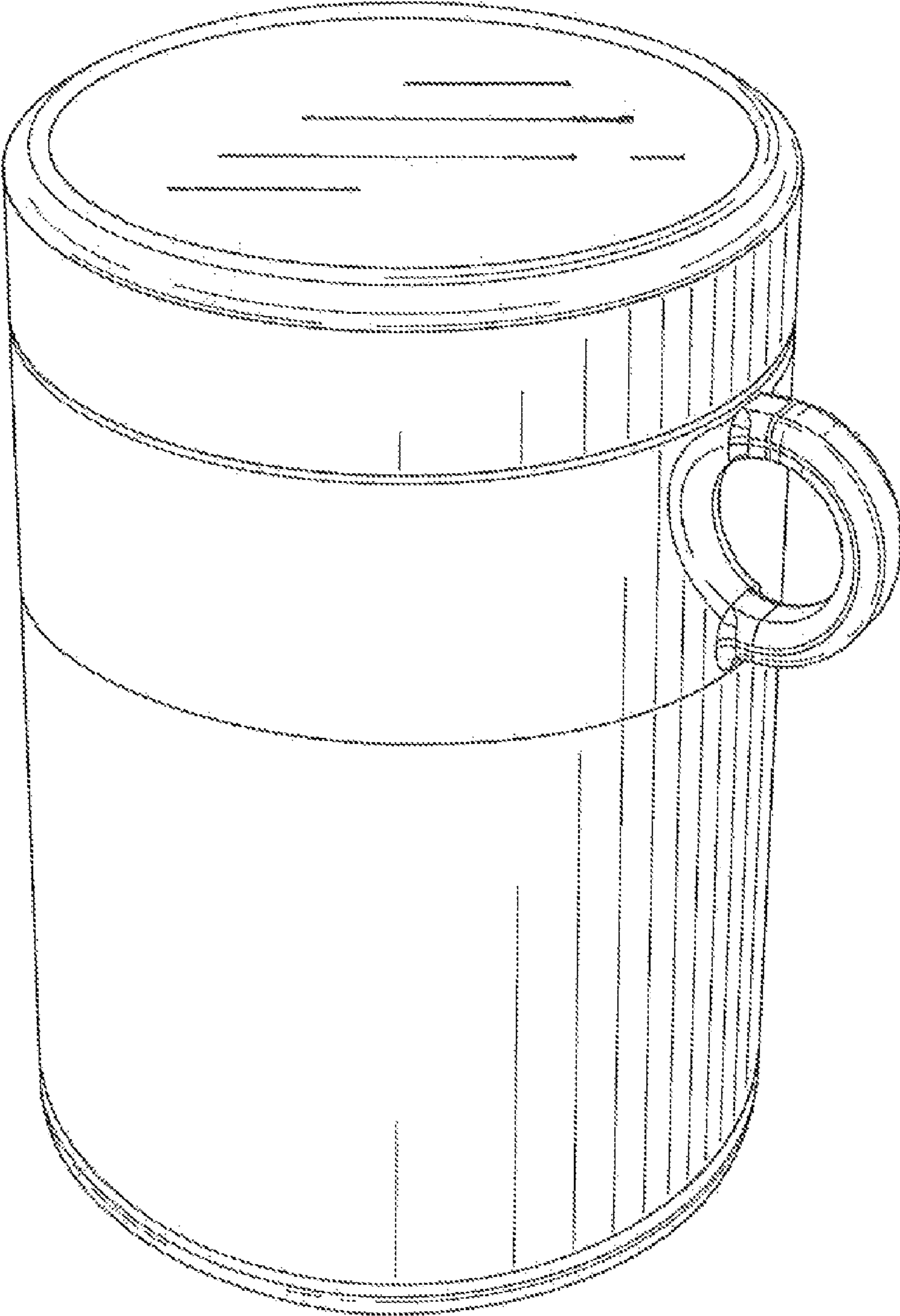


Fig. 1

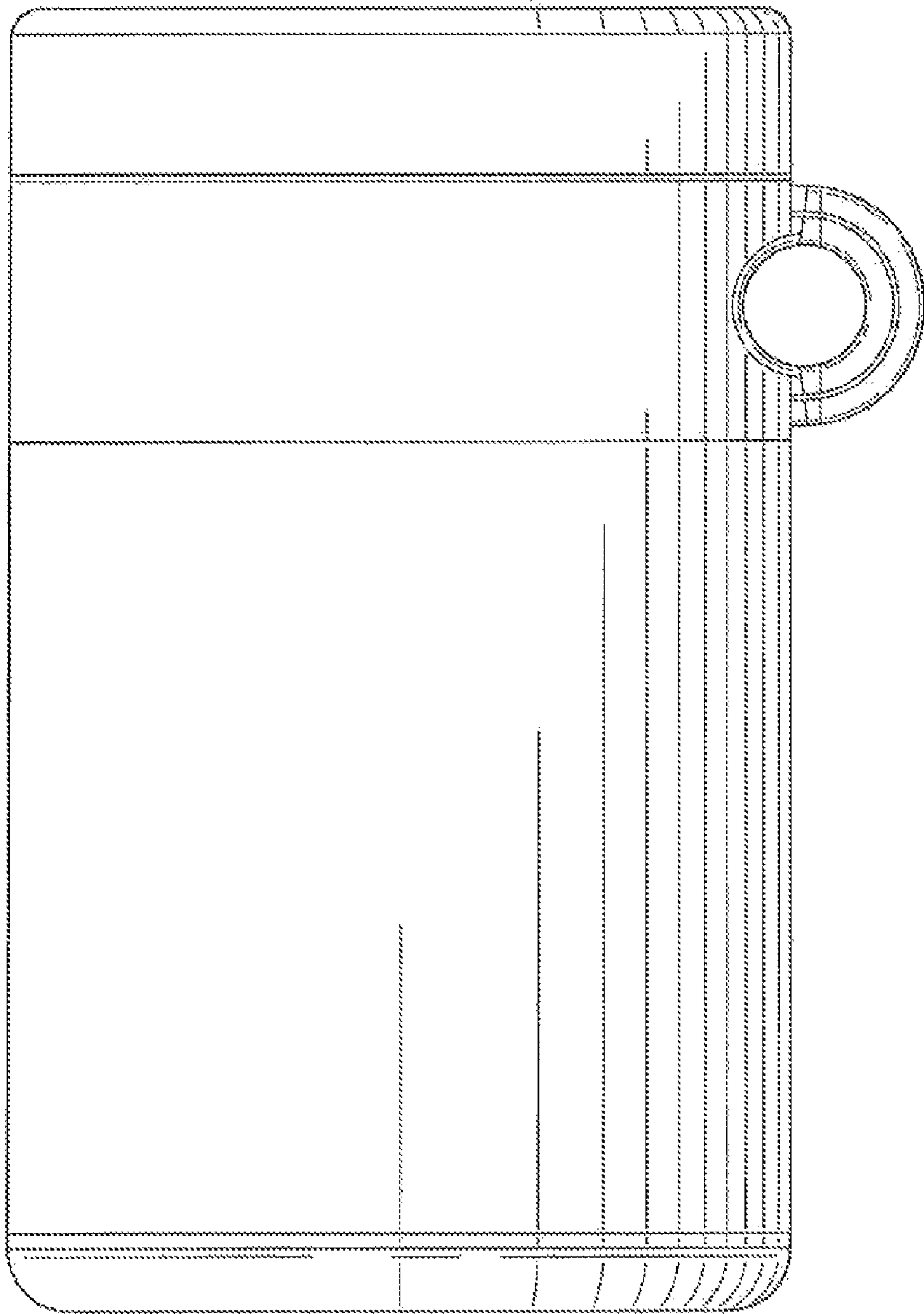


Fig. 2

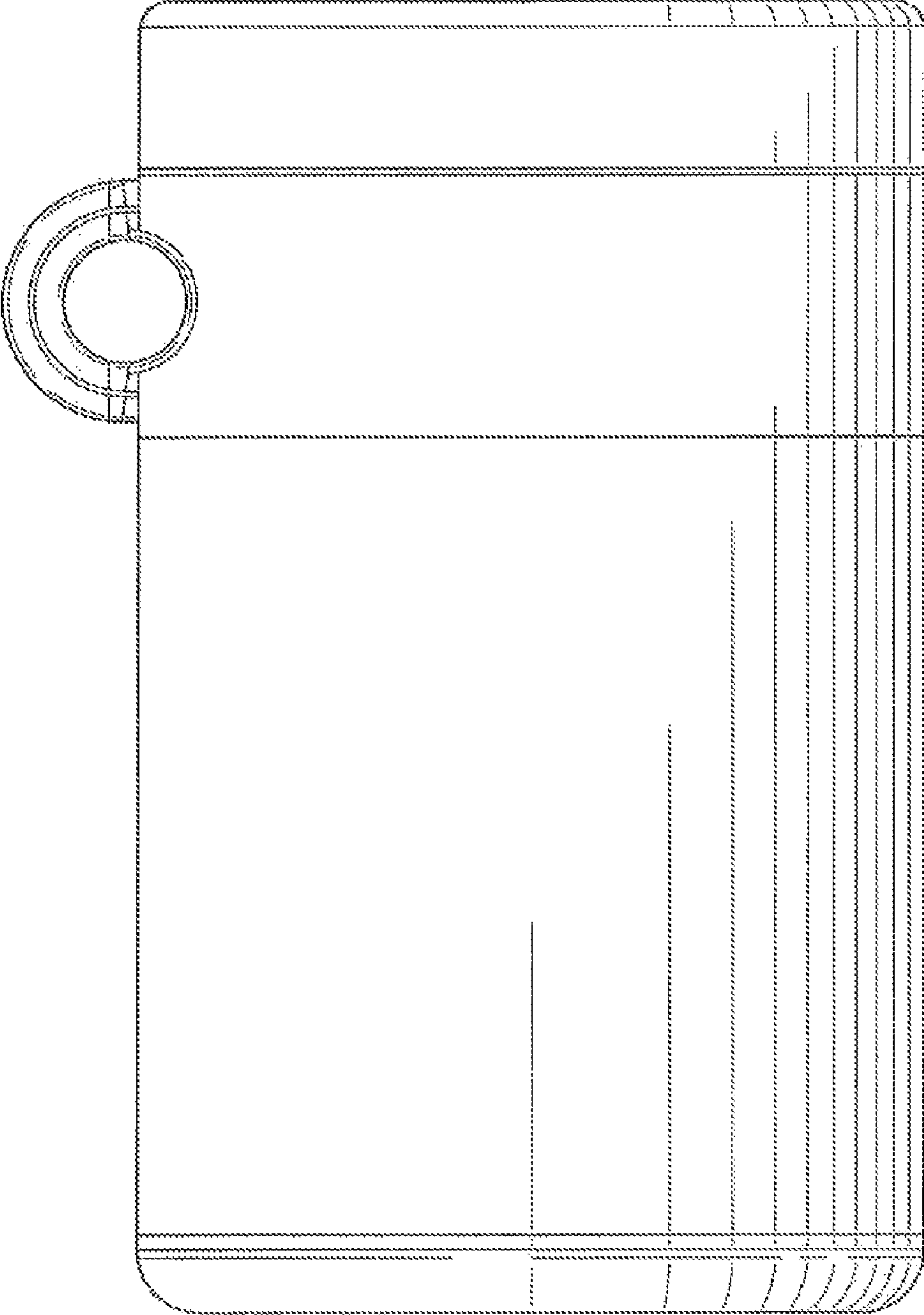


Fig. 3

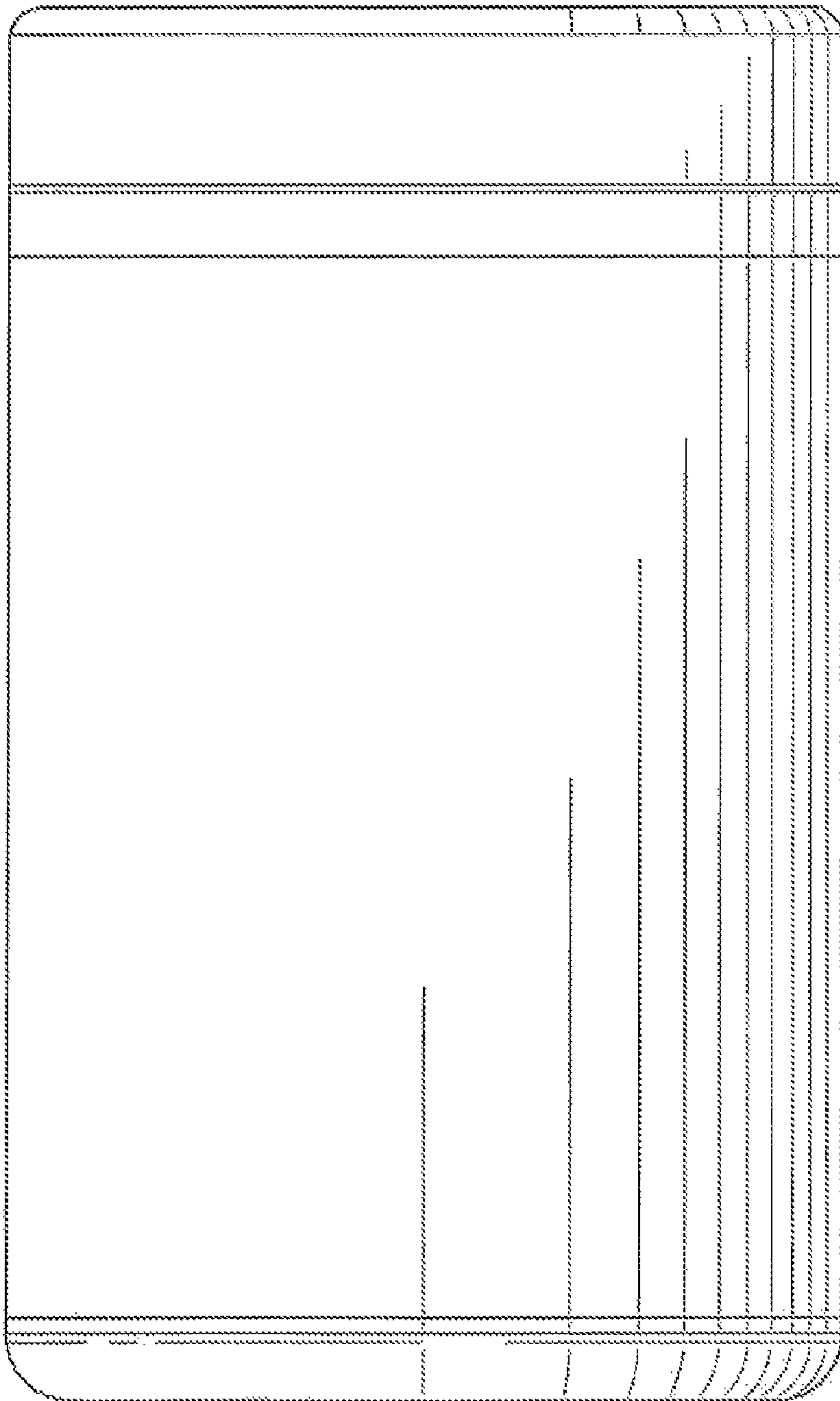


Fig. 4

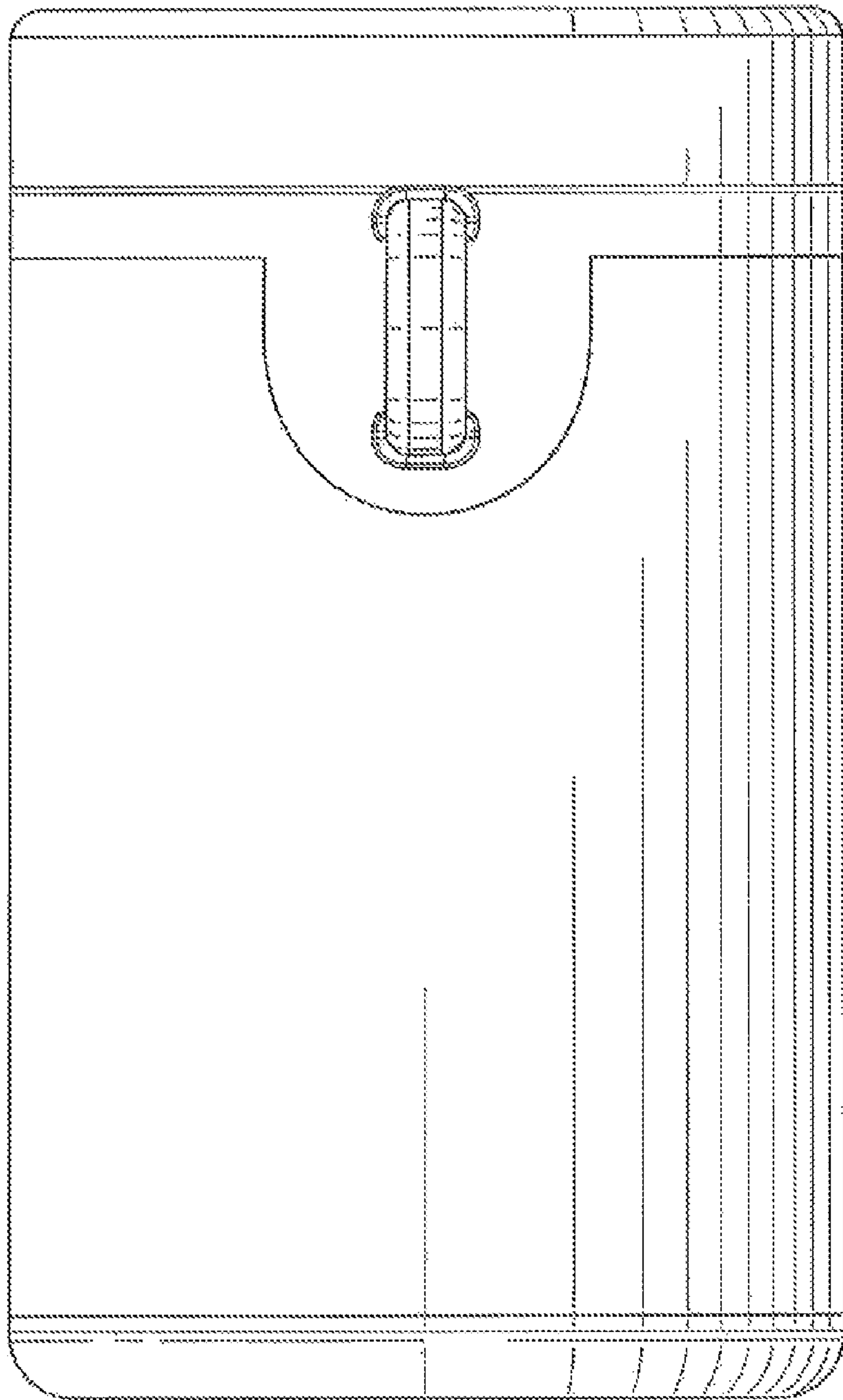


Fig. 5

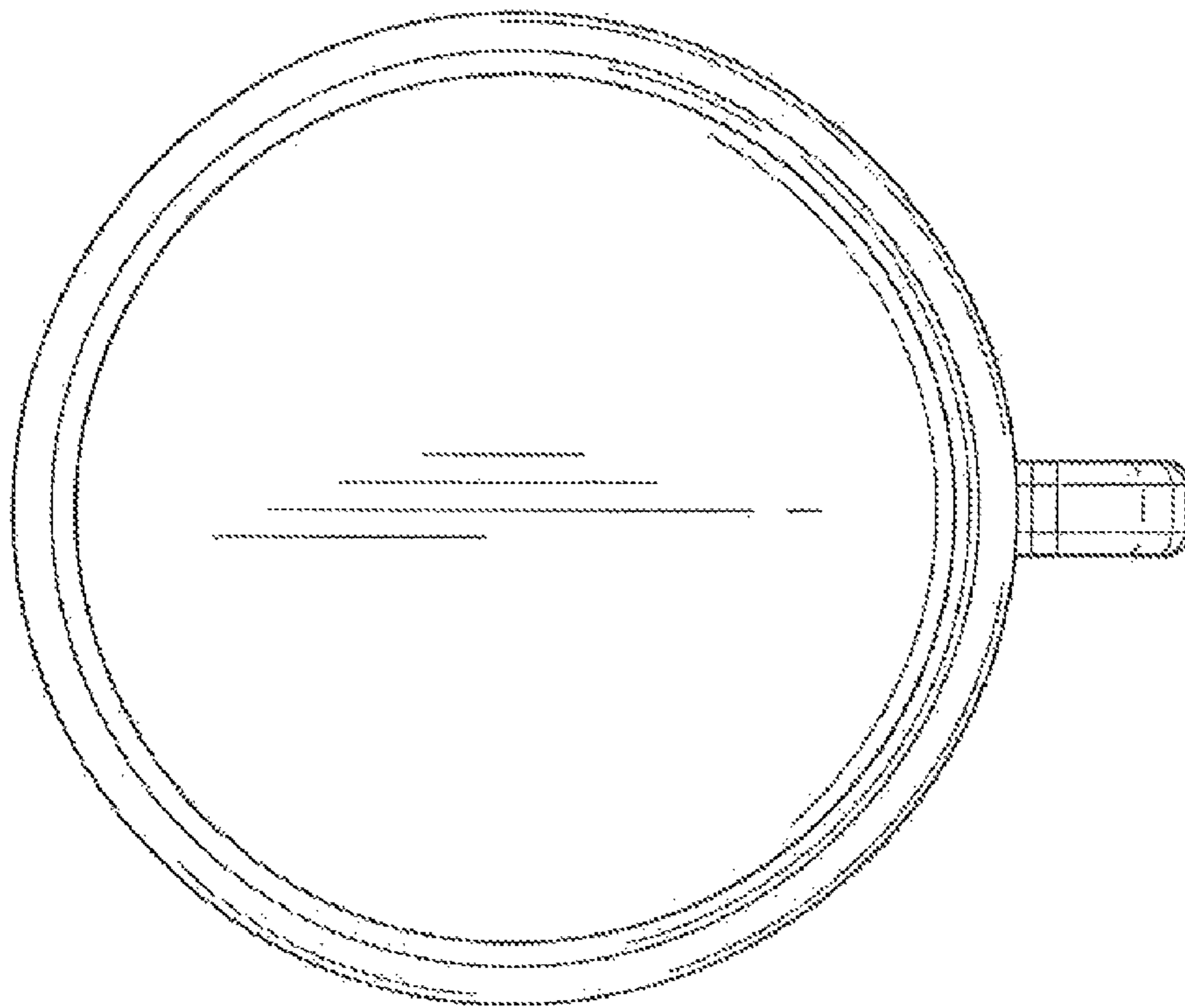


Fig. 6

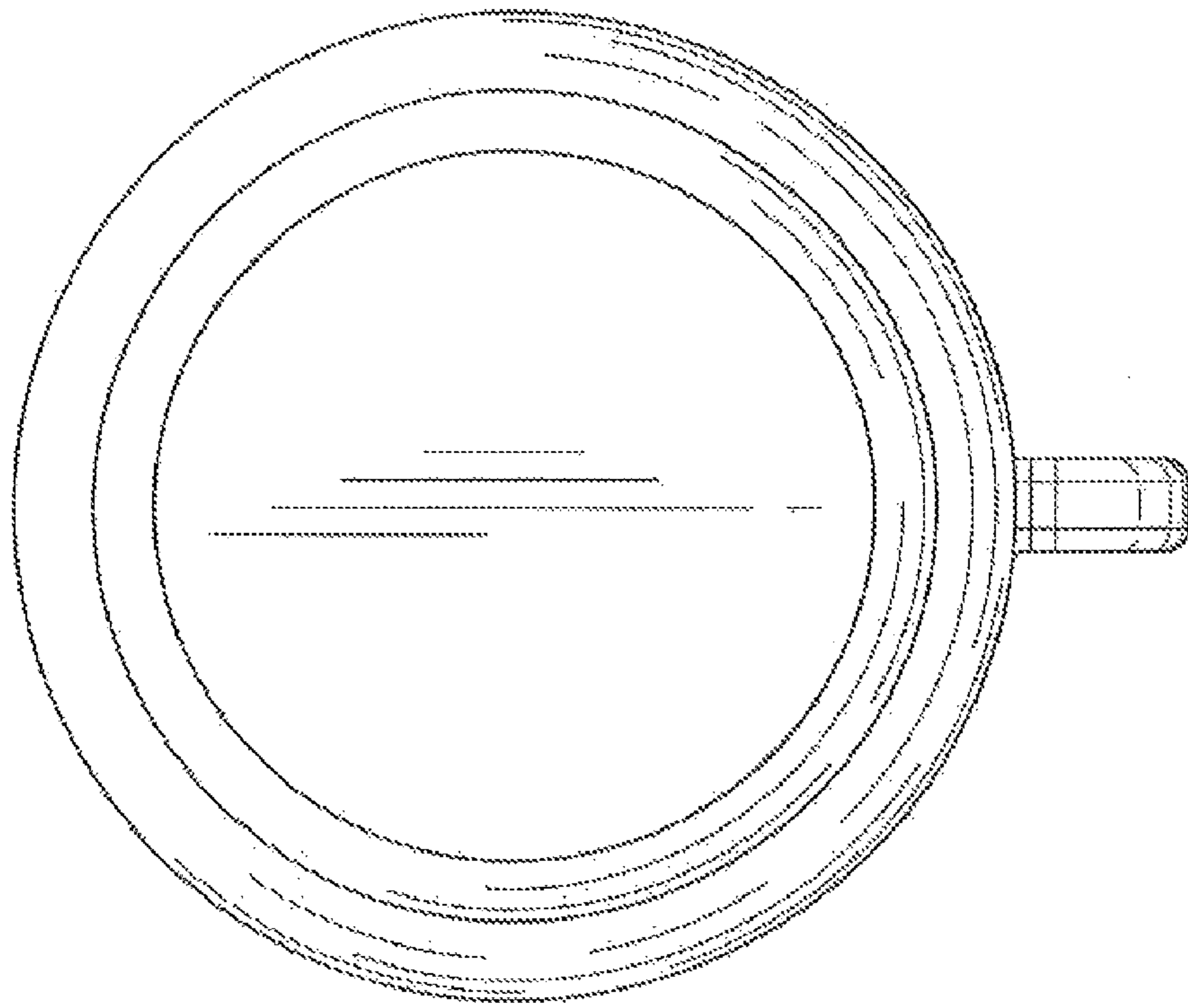


Fig. 7