



US00D643746S

(12) **United States Design Patent**
Yoe, III et al.

(10) **Patent No.:** **US D643,746 S**
(45) **Date of Patent:** **** Aug. 23, 2011**

(54) **SOCK PACKAGE**

(75) Inventors: **Robert Hoyt Yoe, III**, Niota, TN (US);
David Lucas Eldridge, Niota, TN (US);
Harry Wood Talkington, Jr., Niota, TN
(US); **Heather Renee' Smith**
Lingerfelt, Niota, TN (US); **Michael**
Aaron Shuleva, Niota, TN (US)

(73) Assignee: **Yoe Enterprises of Nevada, Inc.**,
Chattanooga, TN (US)

(**) Term: **14 Years**

(21) Appl. No.: **29/385,878**

(22) Filed: **Feb. 22, 2011**

(51) **LOC (9) Cl.** **09-05**

(52) **U.S. Cl.** **D9/711**

(58) **Field of Classification Search** D9/711,
D9/713, 715, 414-415, 418-419, 434, 501,
D9/430-431, 424; 206/461, 464, 467, 806,
206/495, 481, 482-483, 278.1, 8, 9, 11, 279-287,
206/287.1, 288-299; 211/85.3; 223/85,
223/82, 88; 229/87.16, 103.2, 87.01, 87.15,
229/117.12, 117.18

See application file for complete search history.

(56) **References Cited**

U.S. PATENT DOCUMENTS

D249,122 S * 8/1978 Bjornsson D9/415
4,257,522 A * 3/1981 Thorneburg 206/299

5,515,966 A * 5/1996 Hodge et al. 206/292
D391,157 S * 2/1998 Snitzer et al. D9/415
5,826,760 A * 10/1998 Kolton et al. 223/85
D481,626 S * 11/2003 Klutt D9/653
6,651,810 B2 * 11/2003 Nichol, Jr. 206/297
D570,679 S * 6/2008 Emery D9/415
D588,933 S * 3/2009 Bonzagni et al. D9/711
D594,330 S * 6/2009 Della Bordella et al. D9/624
7,540,377 B1 * 6/2009 Krisher 206/295

* cited by examiner

Primary Examiner — Ian Simmons

Assistant Examiner — Abraham Bahta

(74) *Attorney, Agent, or Firm* — Muncy, Geissler, Olds &
Lowe, PLLC

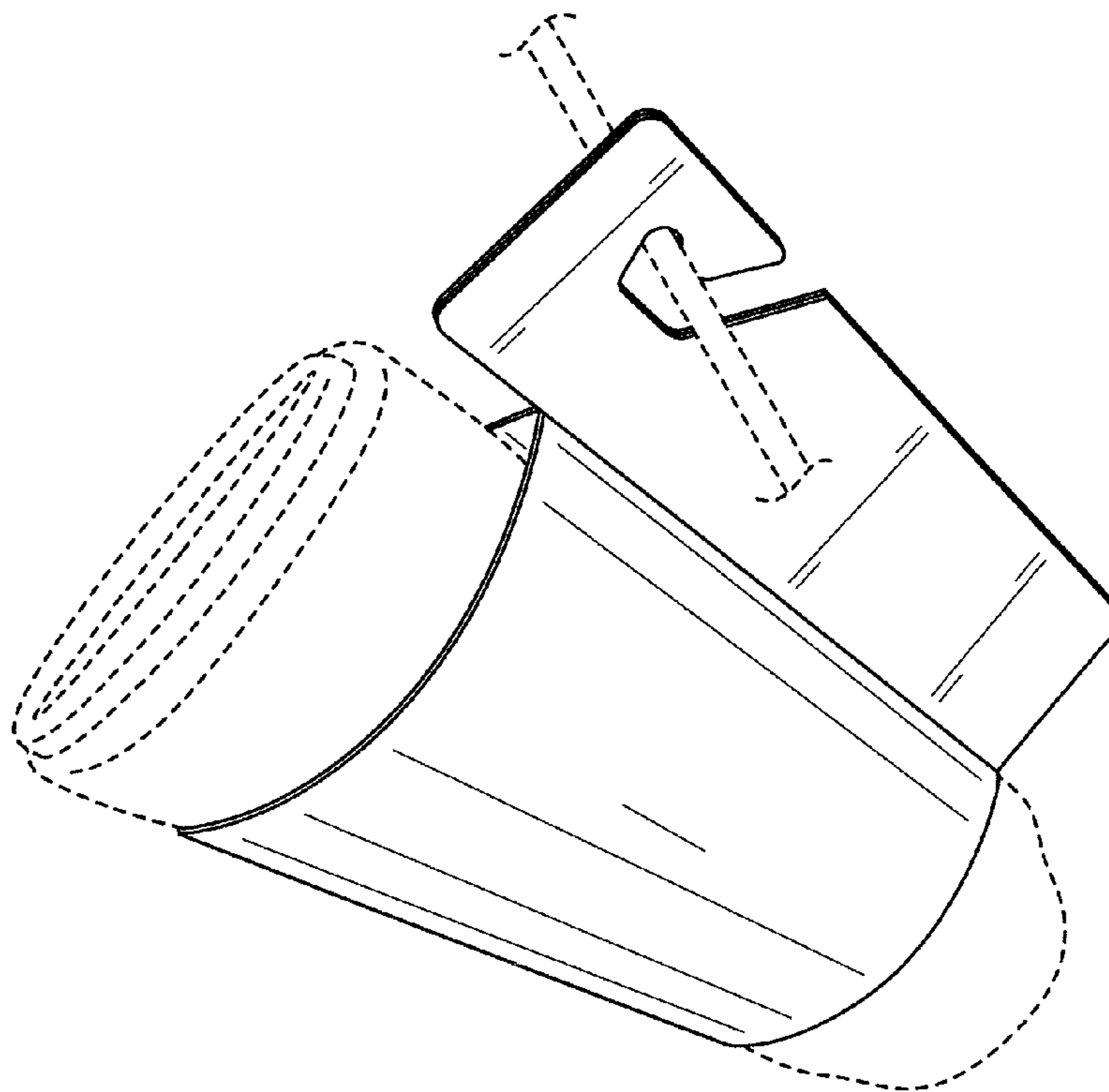
(57) **CLAIM**

The ornamental design for a sock package, as shown and
described.

DESCRIPTION

FIG. 1 is a front, right perspective view of a sock package
showing our new design;
FIG. 2 is a front elevational view of the sock package;
FIG. 3 is a rear elevational view of the sock package;
FIG. 4 is a left side view of the sock package;
FIG. 5 is a right side view of the sock package;
FIG. 6 is a top plan view of the sock package; and,
FIG. 7 is a bottom plan view of the sock package.
The broken lines illustrate portions of the sock package which
form no part of the claimed design.

1 Claim, 7 Drawing Sheets



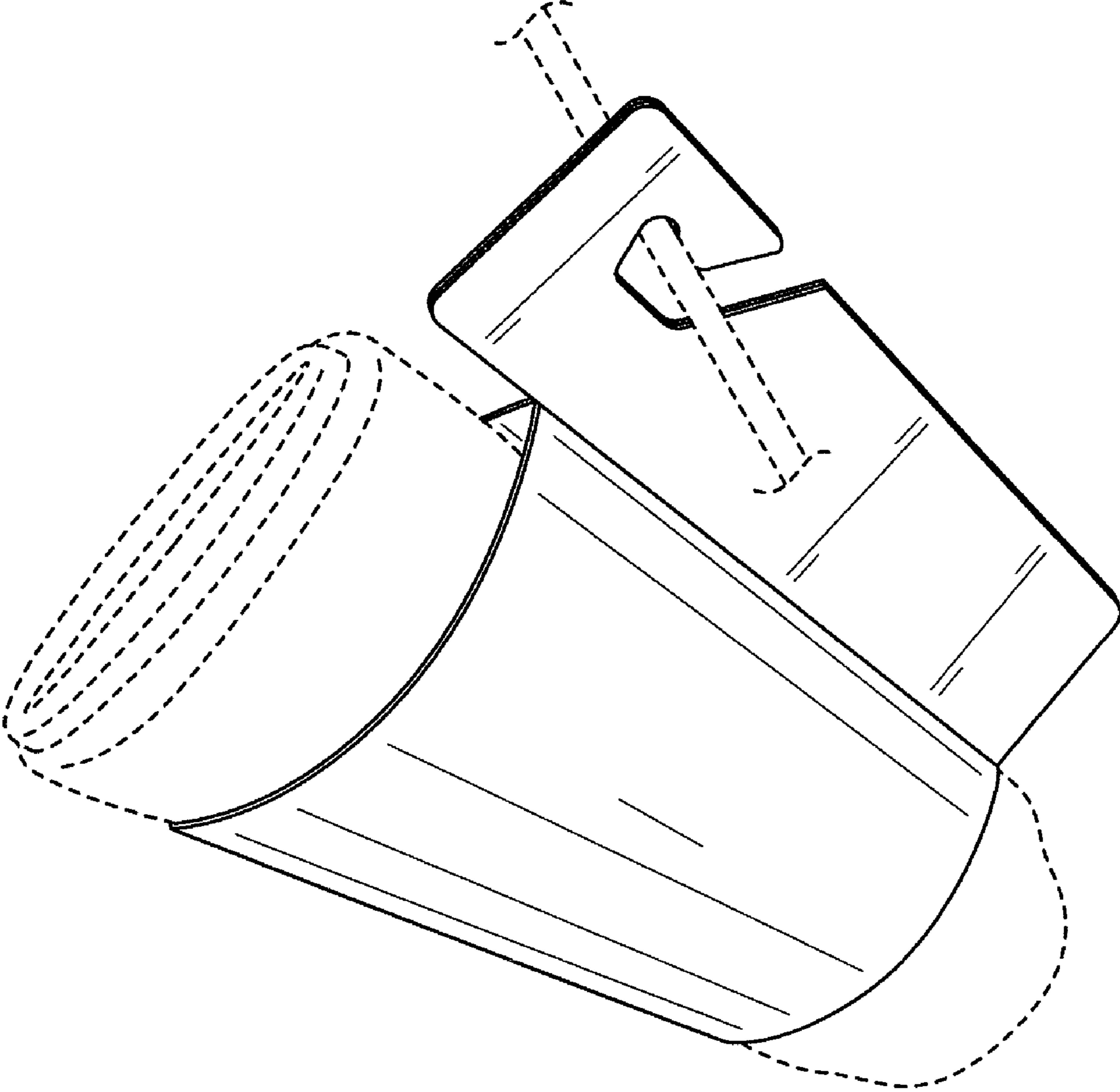


FIG. 1

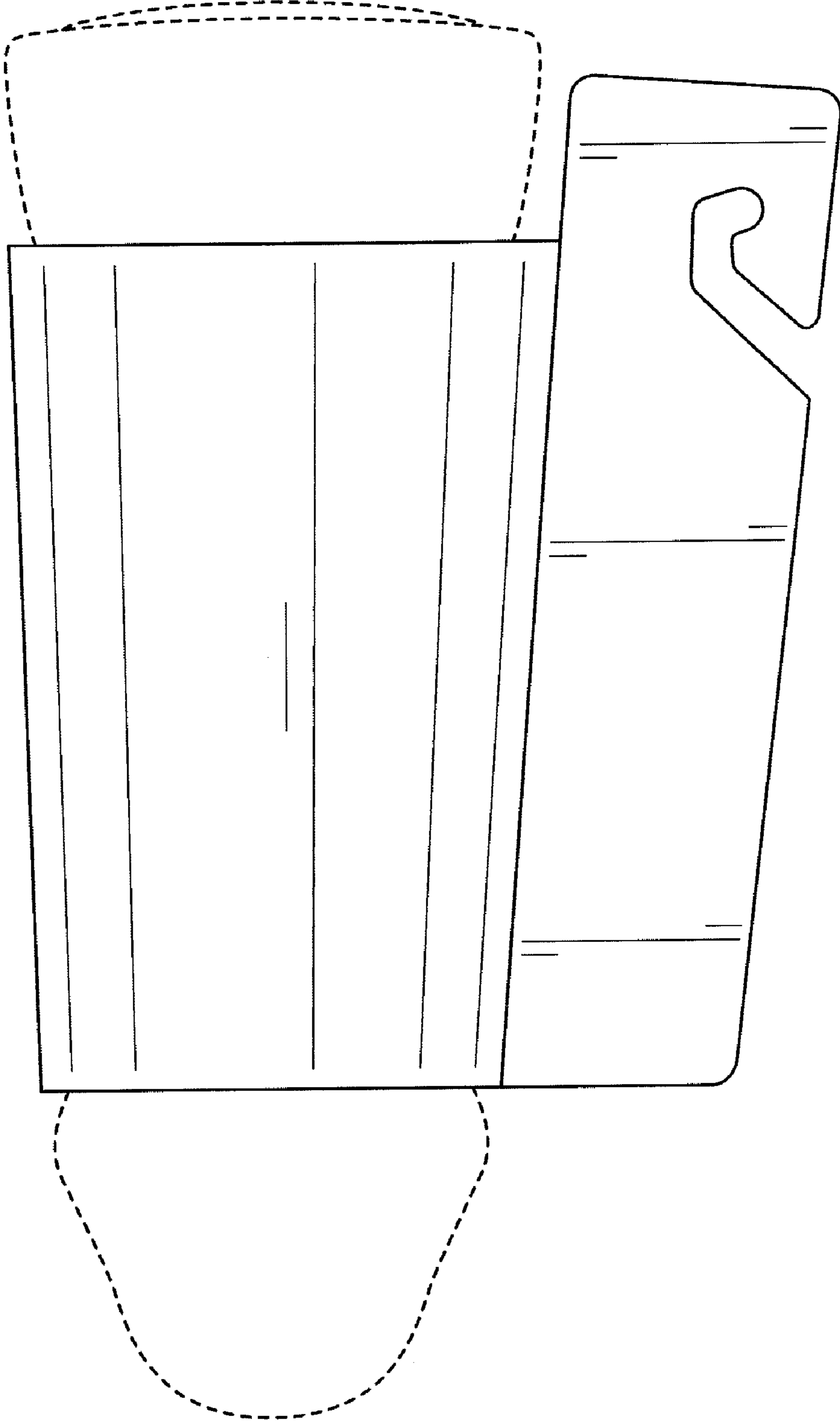


FIG. 2

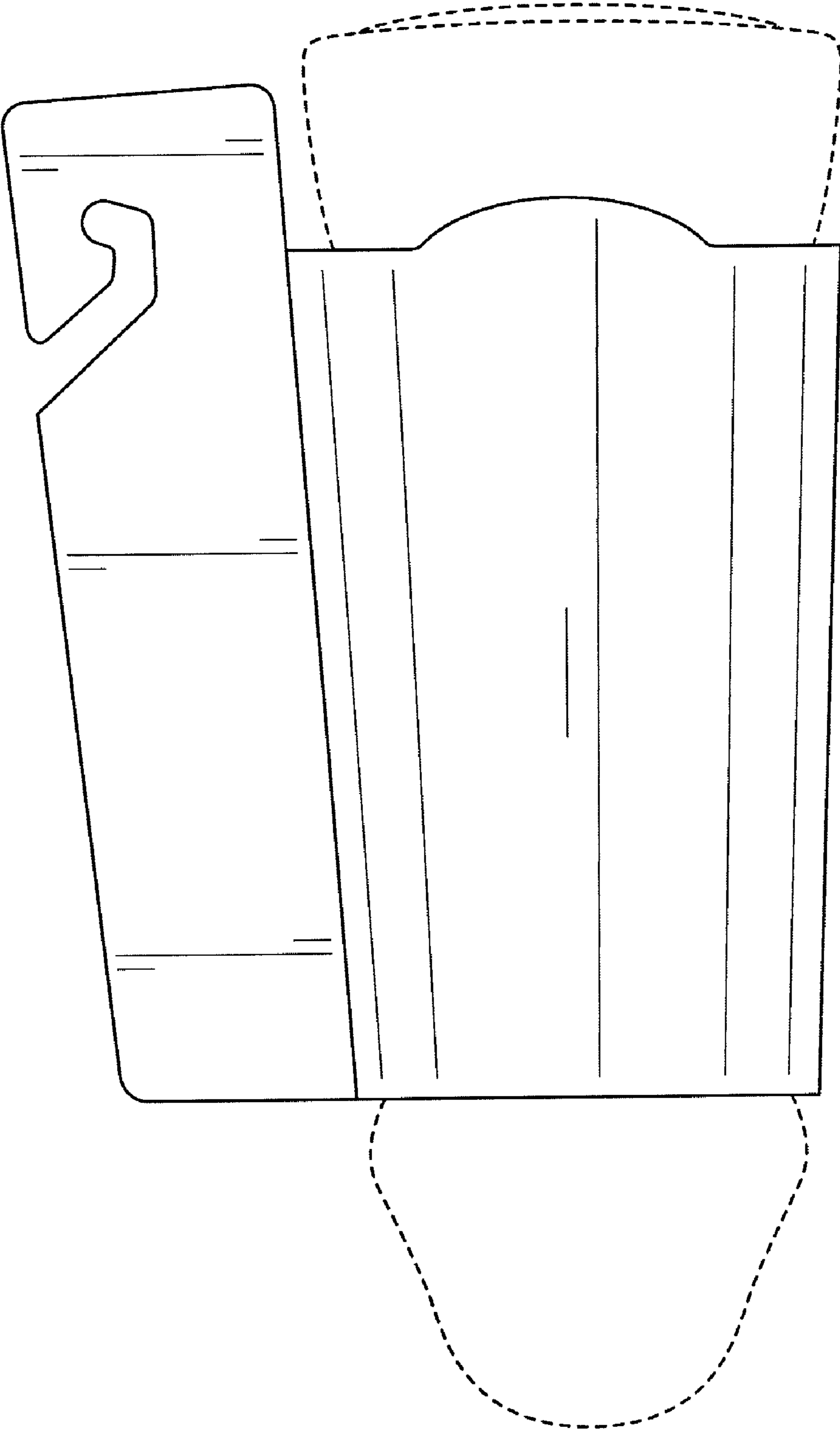


FIG. 3

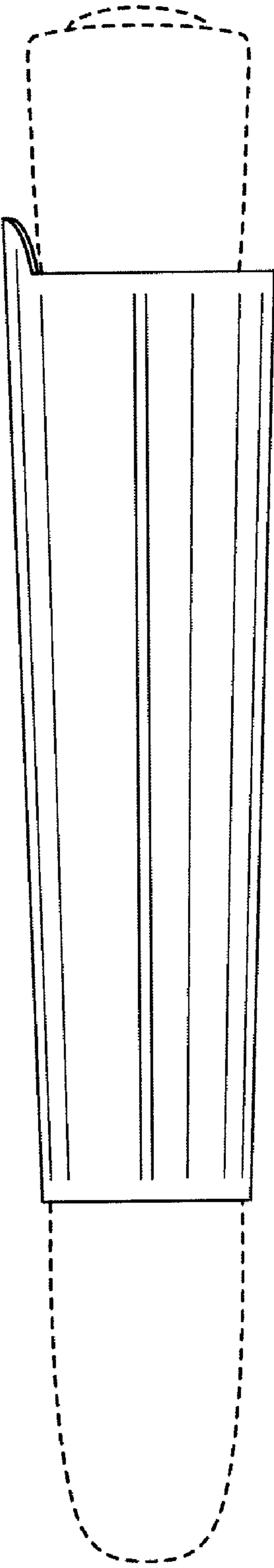


FIG. 4

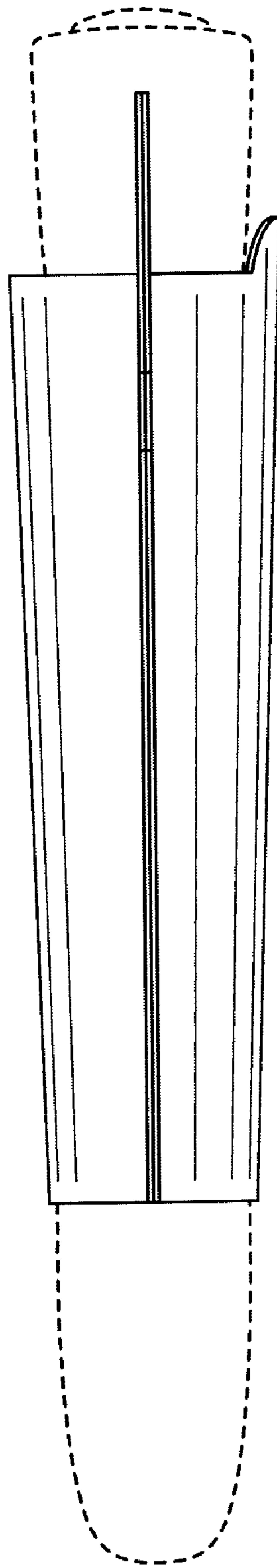


FIG. 5

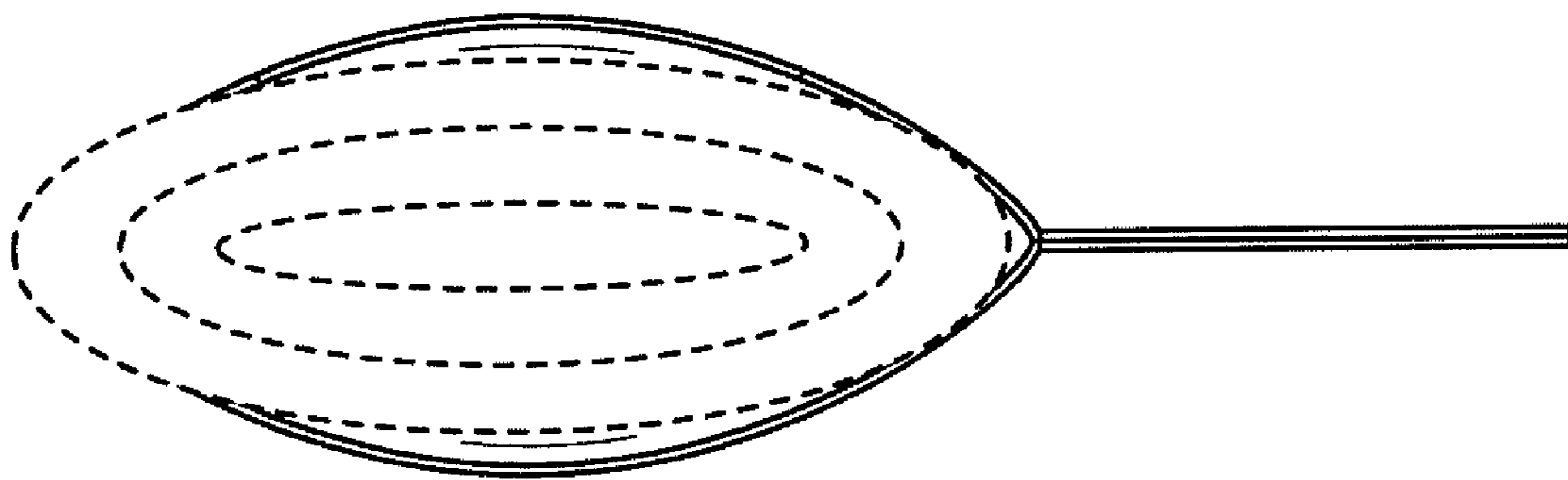


FIG. 6

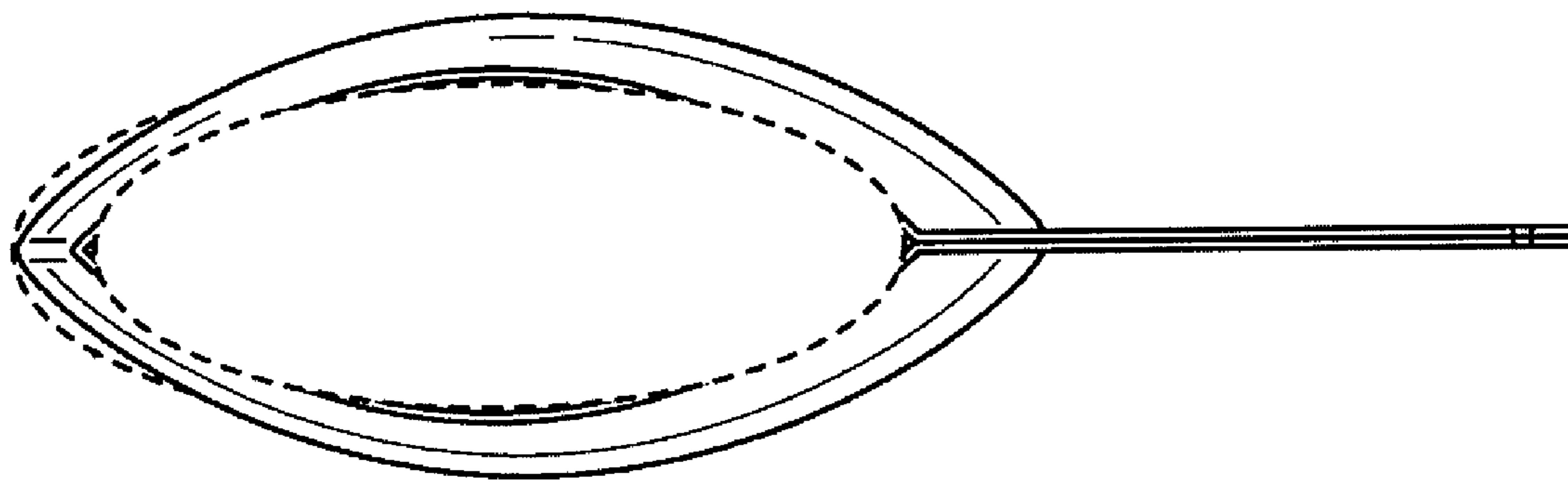


FIG. 7