



US00D643742S

(12) **United States Design Patent**
Weng

(10) **Patent No.:** **US D643,742 S**

(45) **Date of Patent:** **** Aug. 23, 2011**

(54) **BOTTLE**

(75) **Inventor:** **Jin-Sheng Weng**, Taipei (TW)

(73) **Assignee:** **Taiwan Bor Ying Corporation**, Taipei
Hsien (TW)

(**) **Term:** **14 Years**

(21) **Appl. No.:** **29/377,644**

(22) **Filed:** **Oct. 25, 2010**

(51) **LOC (9) Cl.** **09-01**

(52) **U.S. Cl.** **D9/682; D9/694**

(58) **Field of Classification Search** D9/682-694,
D9/516-575; 222/129, 135, 153.01, 153.03,
222/153.04, 153.09, 153.11-153.14, 182,
222/631, 635, 209, 211-213, 215, 321.7-321.9,
222/372, 373, 378, 379, 383.1, 384-386,
222/398, 400.7, 400.8, 401, 402.1-402.25;
215/379-384; 220/662, 665, 669-675
See application file for complete search history.

(56) **References Cited**

U.S. PATENT DOCUMENTS

D63,000 S *	9/1923	Marcus	D9/529
D91,080 S *	11/1933	Nitardy	D9/542
D168,783 S *	2/1953	Colotti	D9/692
D318,794 S *	8/1991	Litton et al.	D9/694
D325,523 S *	4/1992	Restrepo	D9/529
D333,270 S *	2/1993	Albright et al.	D9/566
D374,613 S *	10/1996	Maxwell et al.	D9/694
D392,558 S *	3/1998	Monaghan	D9/682
D399,130 S *	10/1998	Monaghan	D9/686
D466,400 S *	12/2002	Garcia	D9/694
D554,517 S *	11/2007	Breitlander	D9/558

D559,117 S *	1/2008	Nukuto et al.	D9/564
D562,151 S *	2/2008	Larocca et al.	D9/723
D565,963 S *	4/2008	Slimane	D9/687
D609,110 S *	2/2010	Moretti	D9/627

FOREIGN PATENT DOCUMENTS

EM	000211602-0001	*	11/2004
GB	DES. 2057251	*	10/1996
KR	300392815.0000	*	9/2005
KR	300396079.0000	*	10/2005
KR	300417231.0000	*	6/2006
KR	300413914.0001	*	8/2006
KR	300424270.0000	*	9/2006
KR	300455837.0000	*	7/2007
KR	300491472.0001	*	6/2008
KR	300570471.0000	*	8/2010
KR	300570472.0000	*	8/2010
WO	D016986-002	*	8/1990

* cited by examiner

Primary Examiner — Catherine Tuttle

(74) *Attorney, Agent, or Firm* — CKC & Partners Co., Ltd.

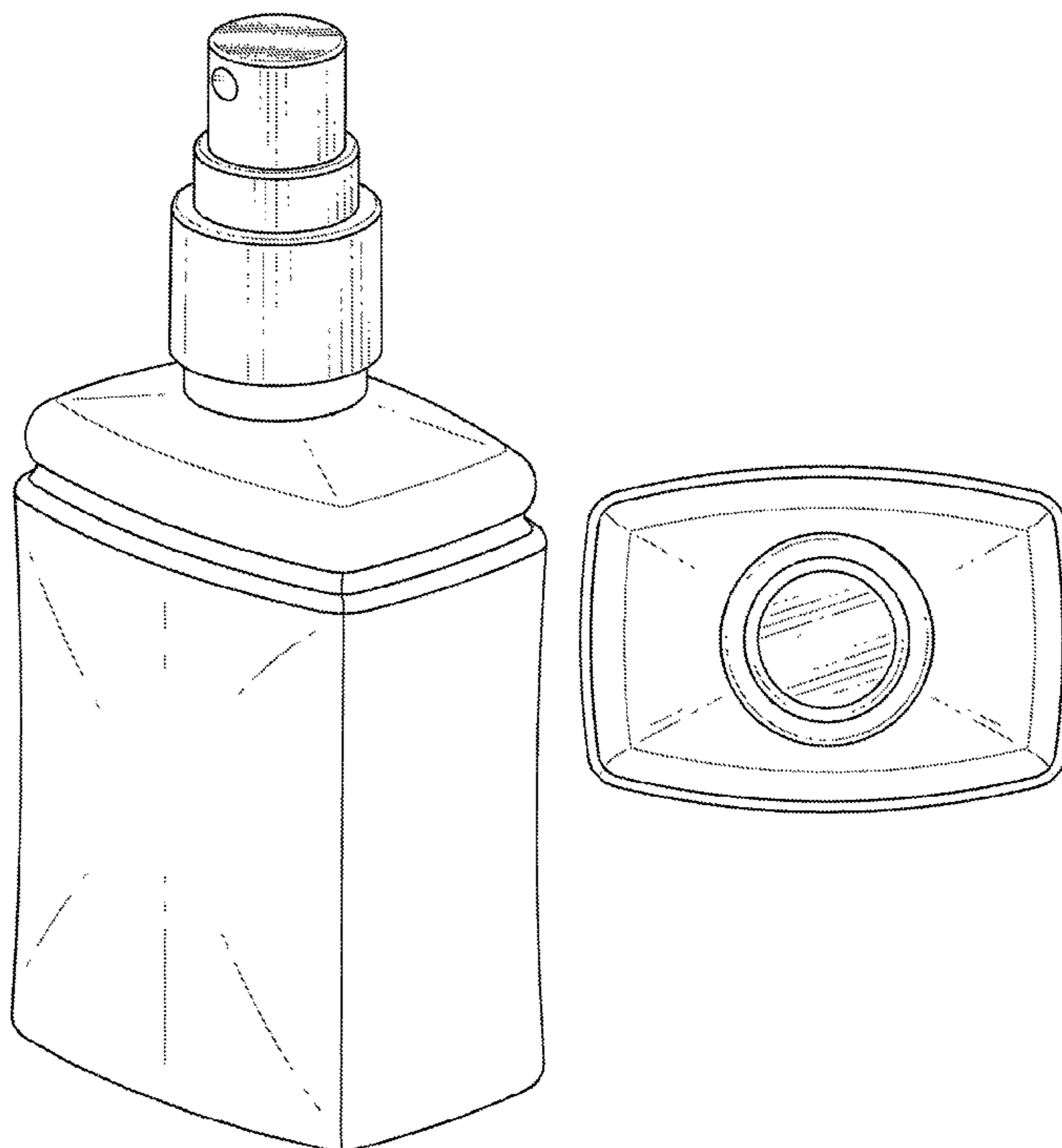
(57) **CLAIM**

The ornamental design for a bottle, as shown.

DESCRIPTION

FIG. 1 is a perspective view of a bottle showing my new design;
FIG. 2 is a front view thereof;
FIG. 3 is a rear view thereof;
FIG. 4 is a left side view thereof;
FIG. 5 is a right side view thereof;
FIG. 6 is a top view thereof; and,
FIG. 7 is a bottom view thereof.

1 Claim, 5 Drawing Sheets



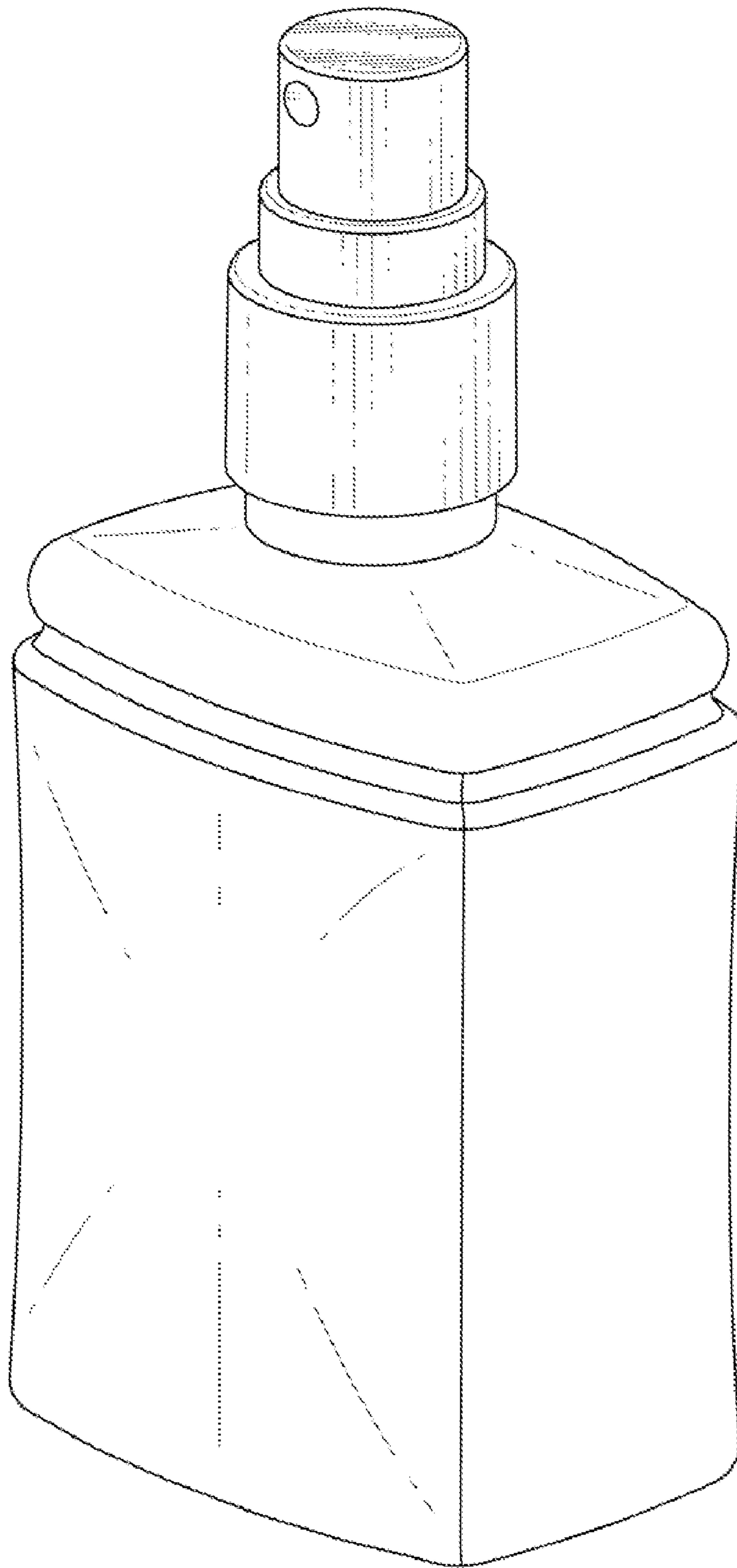


FIG. 1

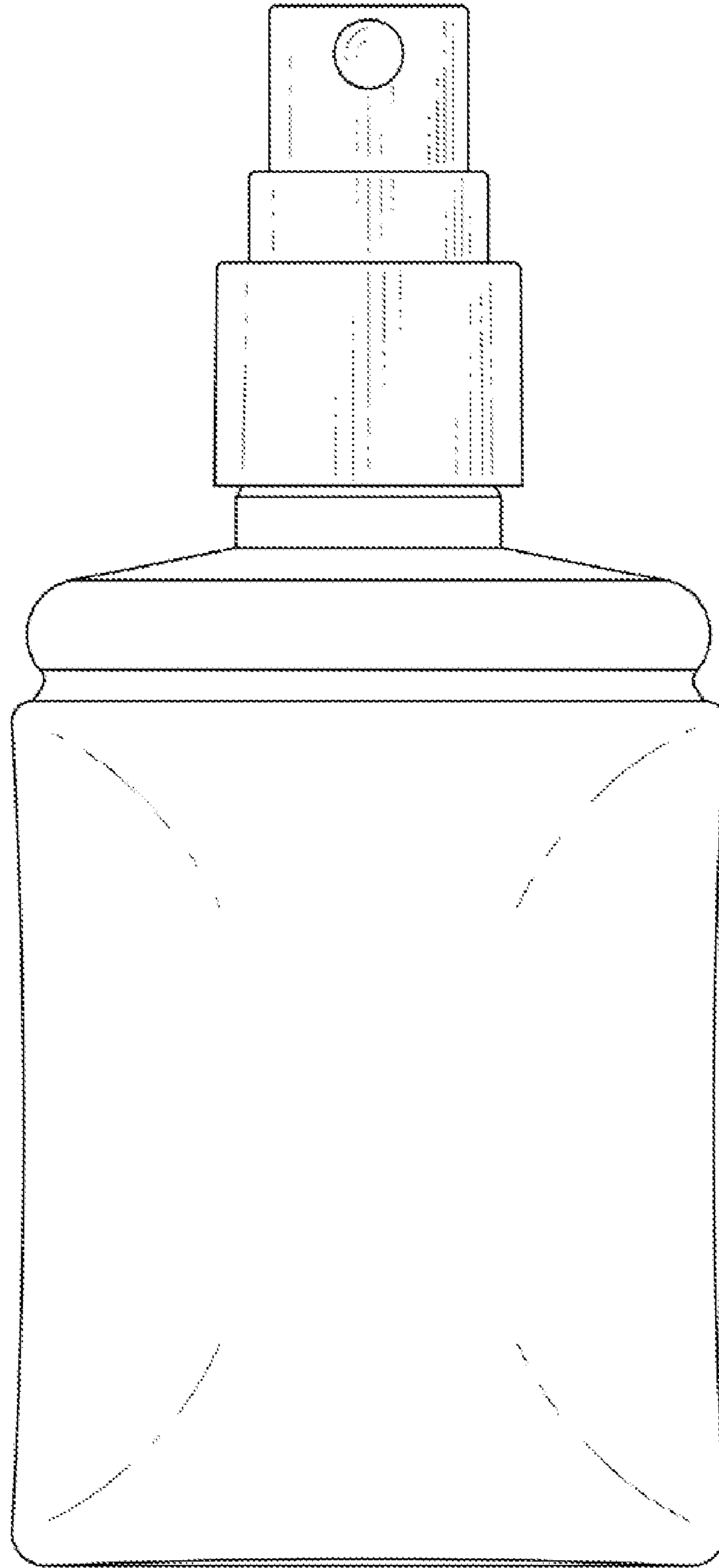


FIG. 2

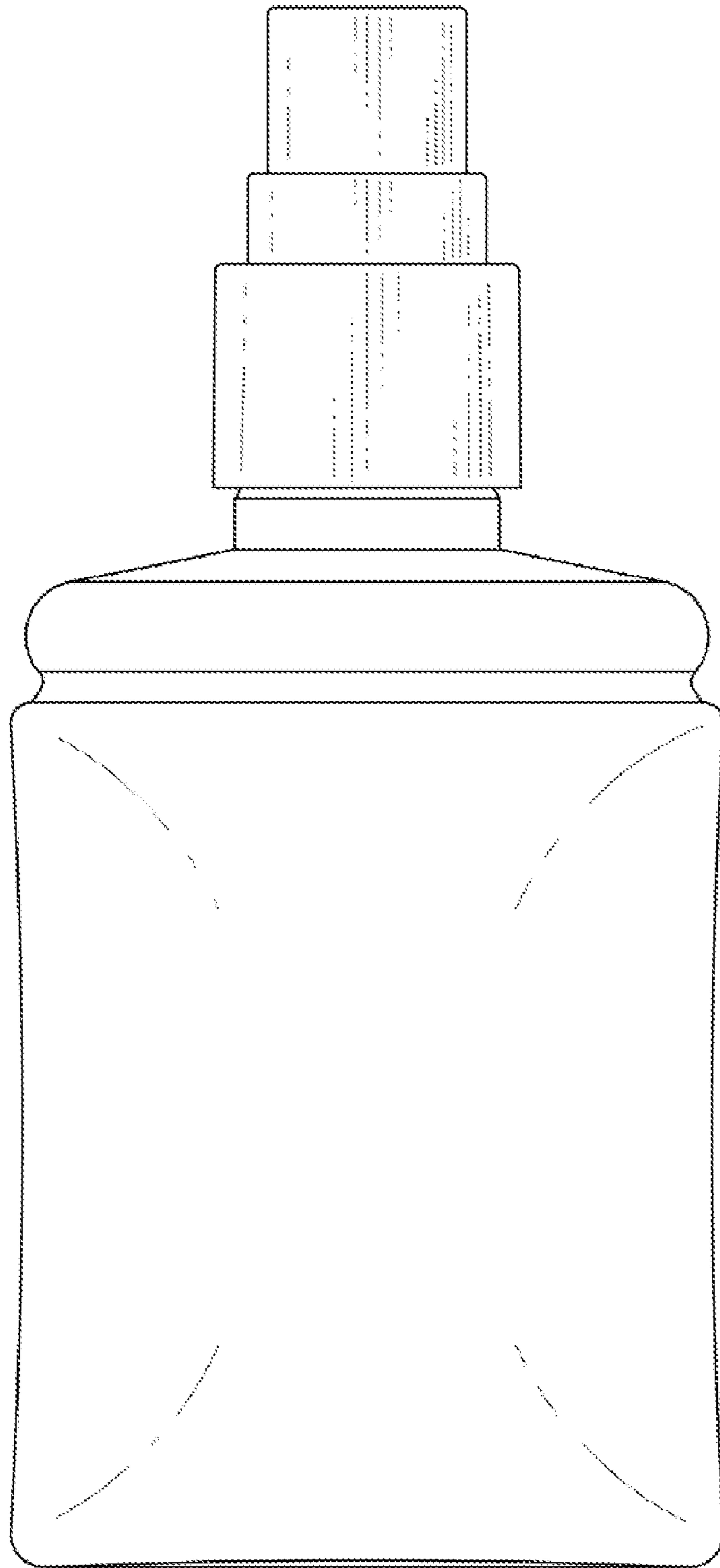


FIG. 3

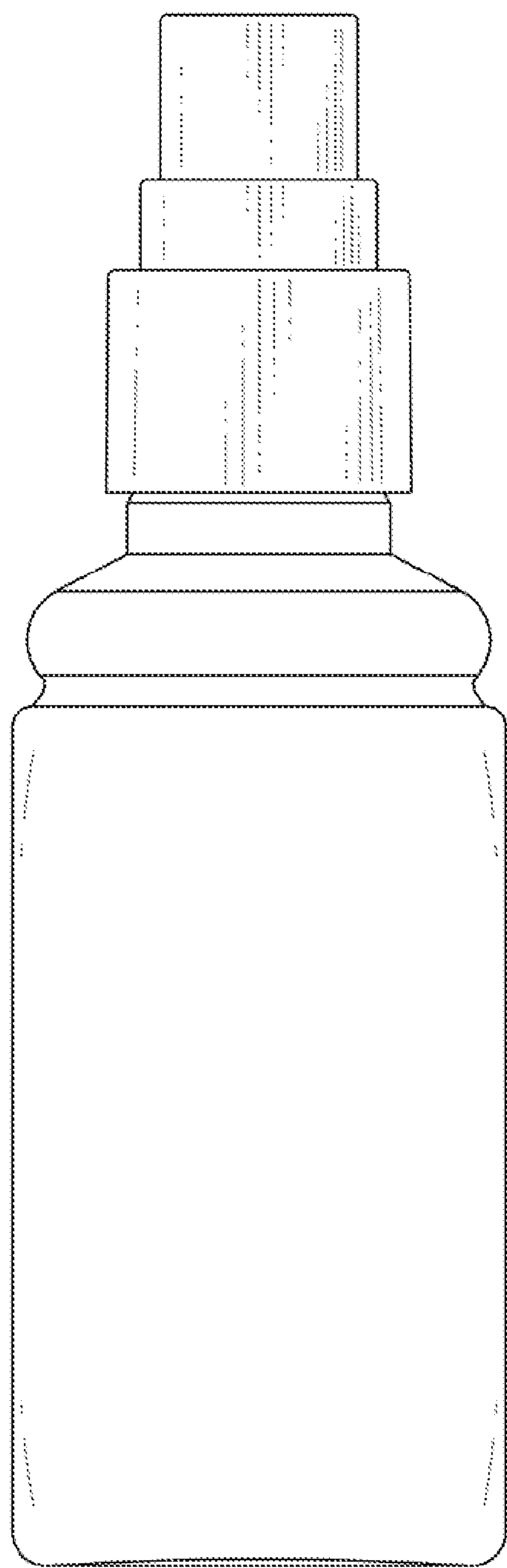


FIG. 4

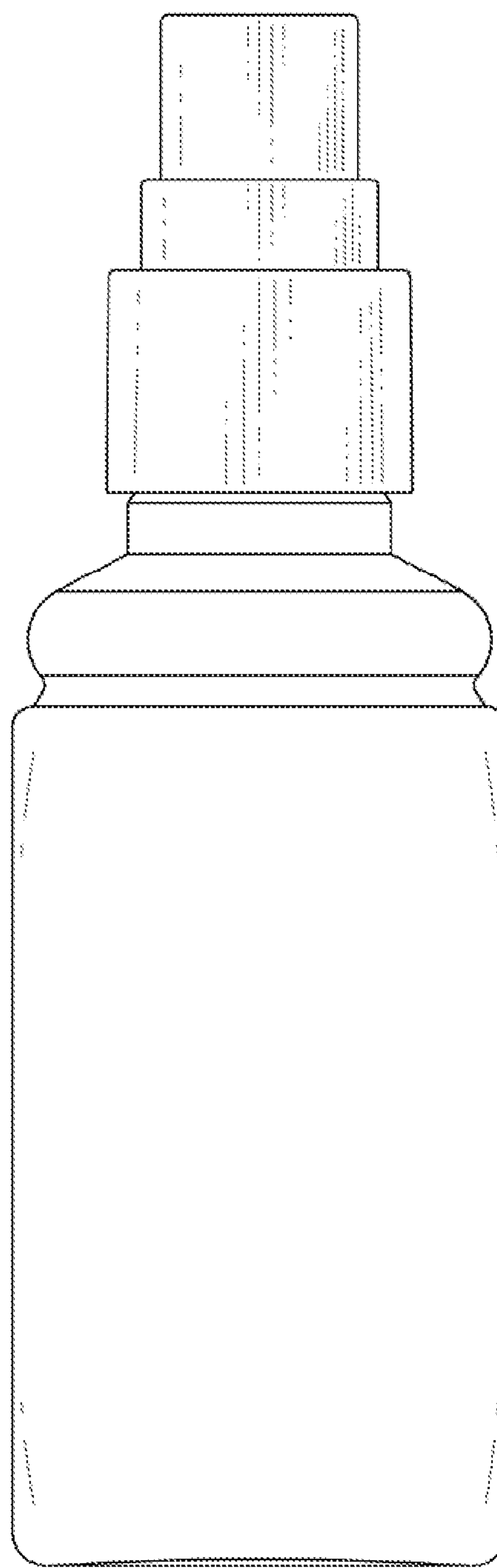


FIG. 5

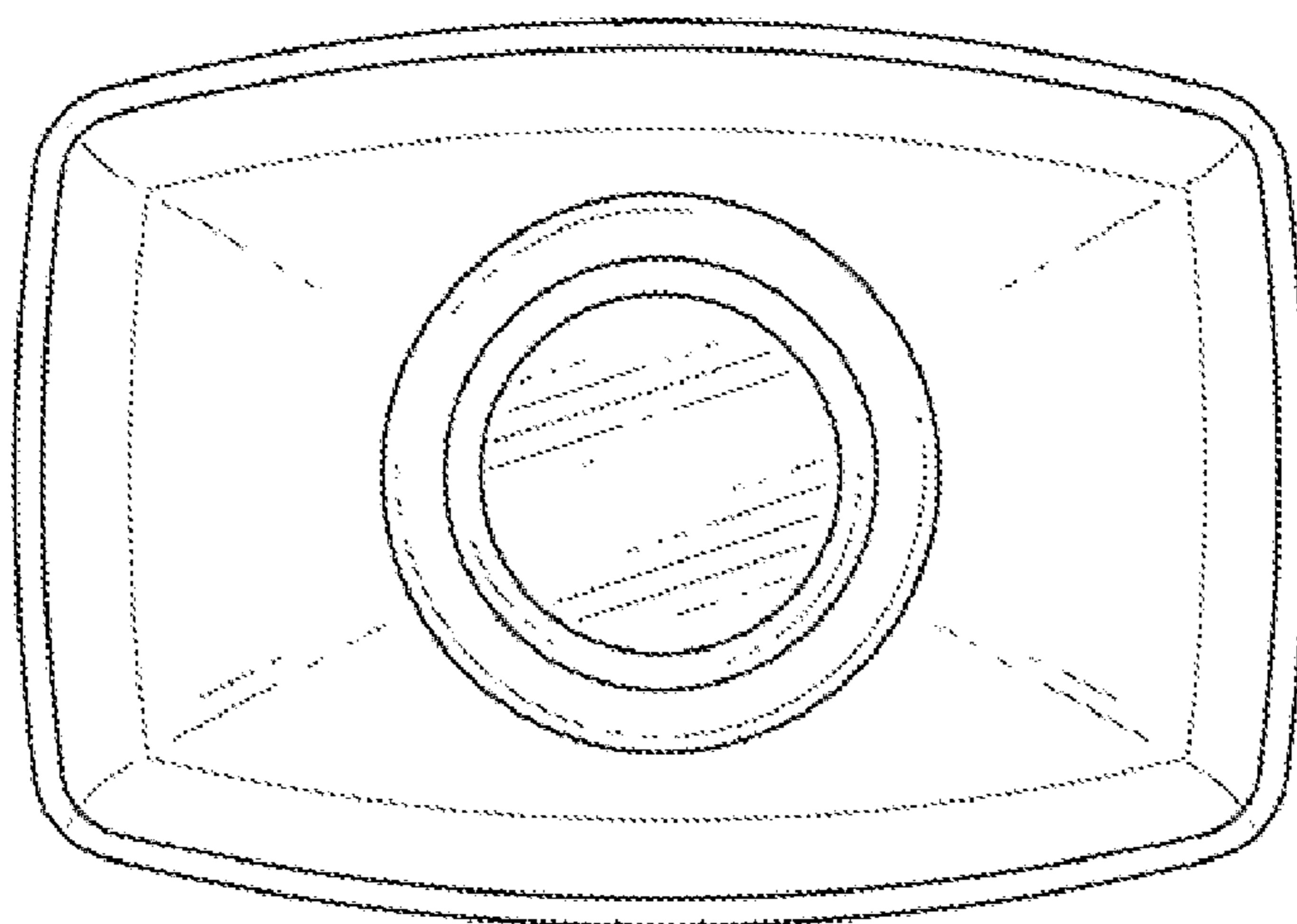


FIG. 6

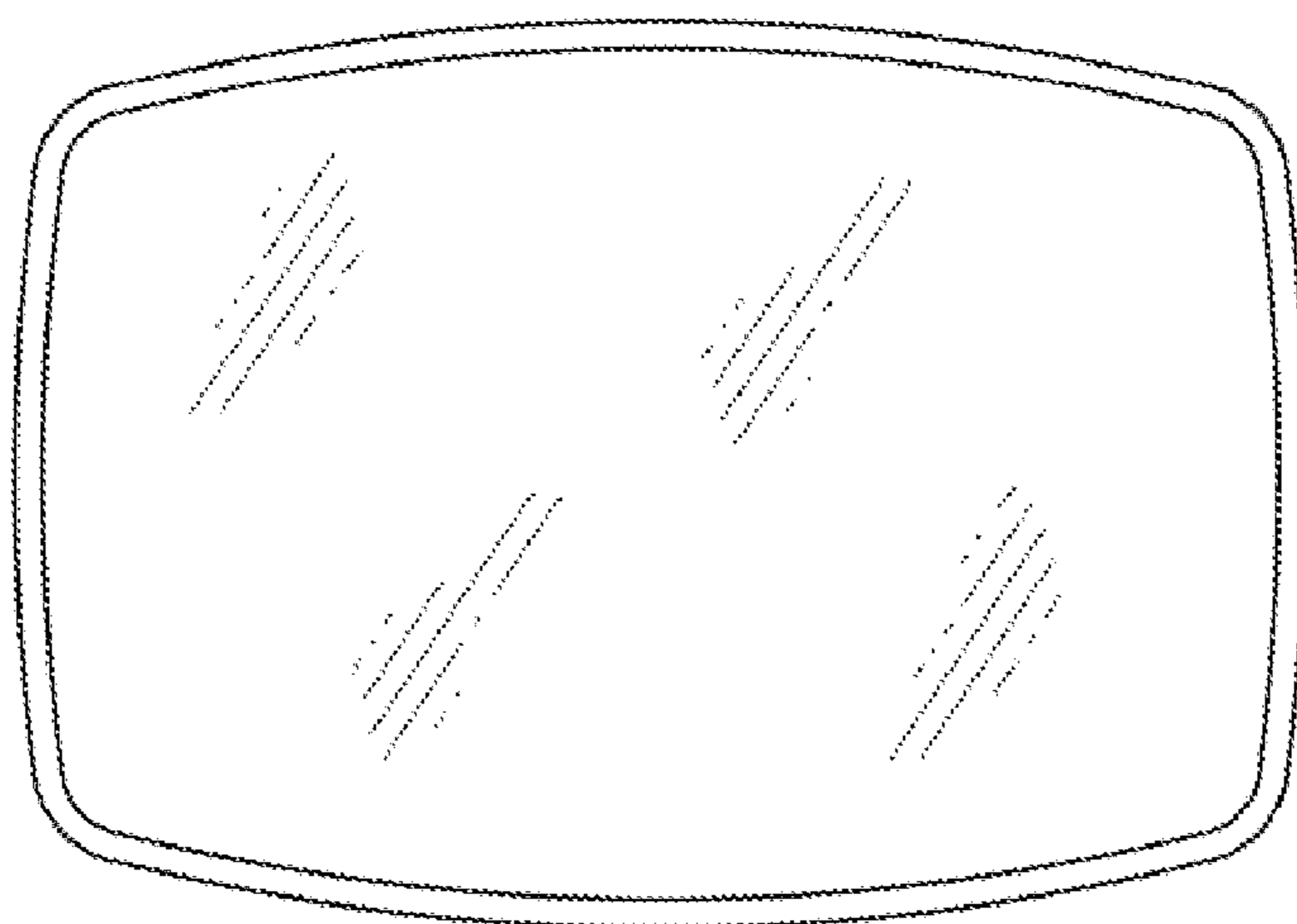


FIG. 7