

US00D643740S

(12) **United States Design Patent**
Pantelleria et al.

(10) **Patent No.:** **US D643,740 S**

(45) **Date of Patent:** **** Aug. 23, 2011**

(54) **CONTAINER AND LID**

(75) Inventors: **Joseph A. Pantelleria**, Overland Park, KS (US); **John M. Sullins**, Shawnee, KS (US)

(73) Assignee: **Huhtamaki, Inc.**, De Soto, KS (US)

(**) Term: **14 Years**

(21) Appl. No.: **29/368,626**

(22) Filed: **Aug. 26, 2010**

(51) **LOC (9) Cl.** **09-01**

(52) **U.S. Cl.** **D9/572; D9/575; D9/439**

(58) **Field of Classification Search** D9/516, D9/549, 558, 572-575, 439; D7/601-602, D7/605, 612, 615, 629-630, 637, 640-641; D34/1, 7; 215/379, 381-382; 220/660, 662, 220/669, 675

See application file for complete search history.

(56) **References Cited**

U.S. PATENT DOCUMENTS

D290,232 S	6/1987	Holzkopf et al.	
D337,697 S *	7/1993	Giugiaro	D7/542
D341,315 S	11/1993	Seymour	
D355,514 S	2/1995	Breen	
D382,446 S *	8/1997	Bacon	D7/587
D393,798 S	4/1998	Joswick	
5,758,888 A	6/1998	Burgan et al.	
D401,116 S	11/1998	Demore	
5,938,646 A	8/1999	Carter	
D462,902 S *	9/2002	Gittins et al.	D9/430
D468,204 S *	1/2003	Gittins et al.	D9/430
6,540,132 B1 *	4/2003	Lowry et al.	229/117.12
D520,877 S *	5/2006	Toth et al.	D9/522
D529,387 S *	10/2006	Toth et al.	D9/522
7,185,783 B1	3/2007	Miller	

D560,360 S *	1/2008	Raile	D3/265
D571,146 S *	6/2008	Sanfilippo et al.	D7/391
D571,197 S *	6/2008	Sanfilippo et al.	D9/420
D576,371 S *	9/2008	Zimmerman	D34/7
D591,555 S *	5/2009	Sanfilippo et al.	D7/391
D601,387 S *	10/2009	Carlson	D7/602
D608,193 S *	1/2010	Sanfilippo et al.	D9/420
D615,410 S *	5/2010	Lett	D9/522

* cited by examiner

Primary Examiner — Ian Simmons

Assistant Examiner — Dana L Sipos

(74) *Attorney, Agent, or Firm* — Husch Blackwell LLP

(57) **CLAIM**

The ornamental design for a container and lid, as shown and described.

DESCRIPTION

FIG. 1 is a front perspective view of the design of a container and lid;

FIG. 2 is an exploded front perspective view of the container and lid shown in FIG. 1;

FIG. 3 is a front perspective view of a container portion of the container and lid shown in FIG. 1;

FIG. 4 is a top plan view of the container and lid shown in FIG. 1;

FIG. 5 is a bottom plan view of the container and lid shown in FIG. 1;

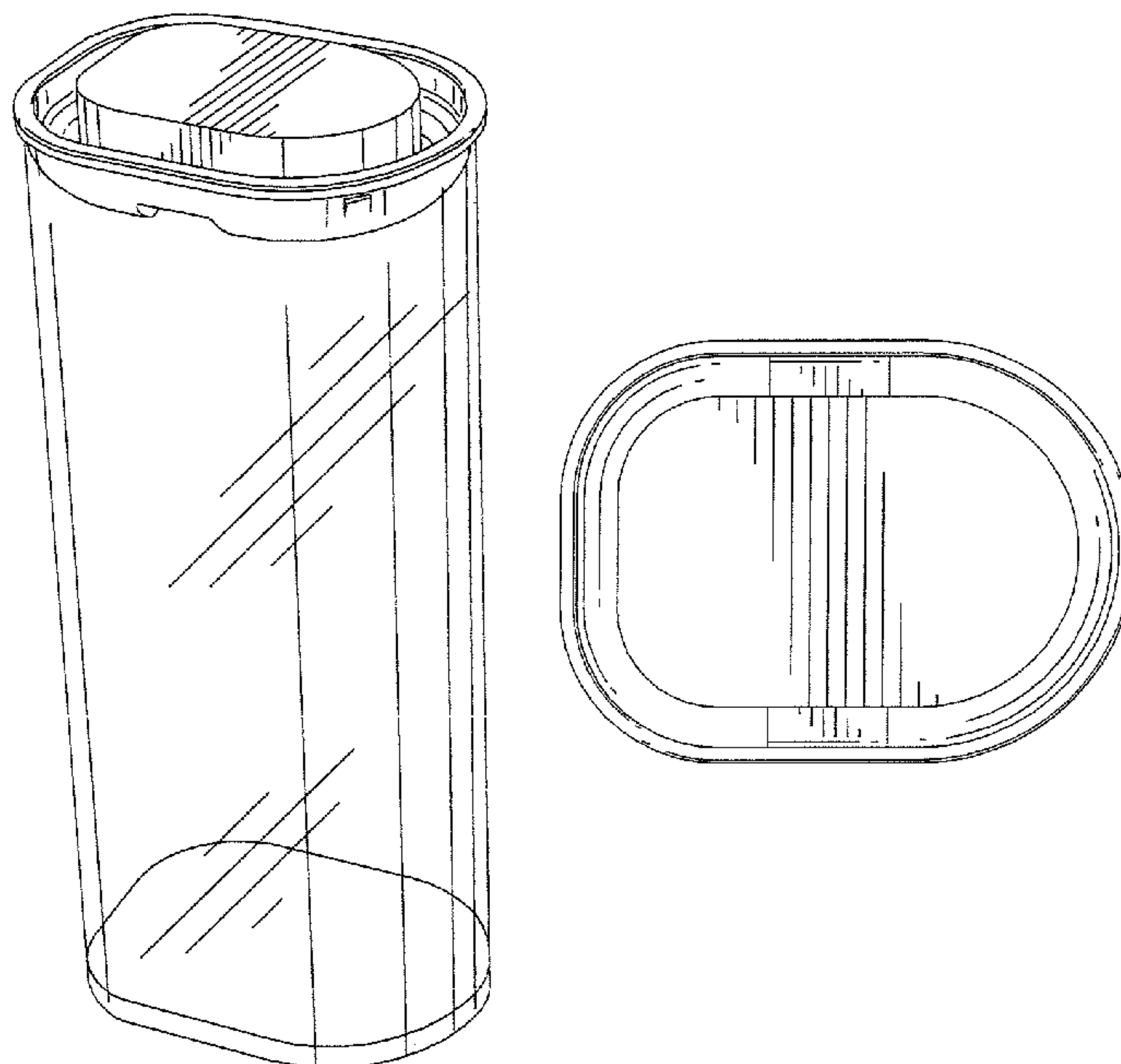
FIG. 6 is a left side view of the container and lid shown in FIG. 1;

FIG. 7 is a back side view of the container and lid shown in FIG. 1;

FIG. 8 is a right side view of the container and lid shown in FIG. 1; and,

FIG. 9 is a front side view of the container and lid shown in FIG. 1.

1 Claim, 3 Drawing Sheets



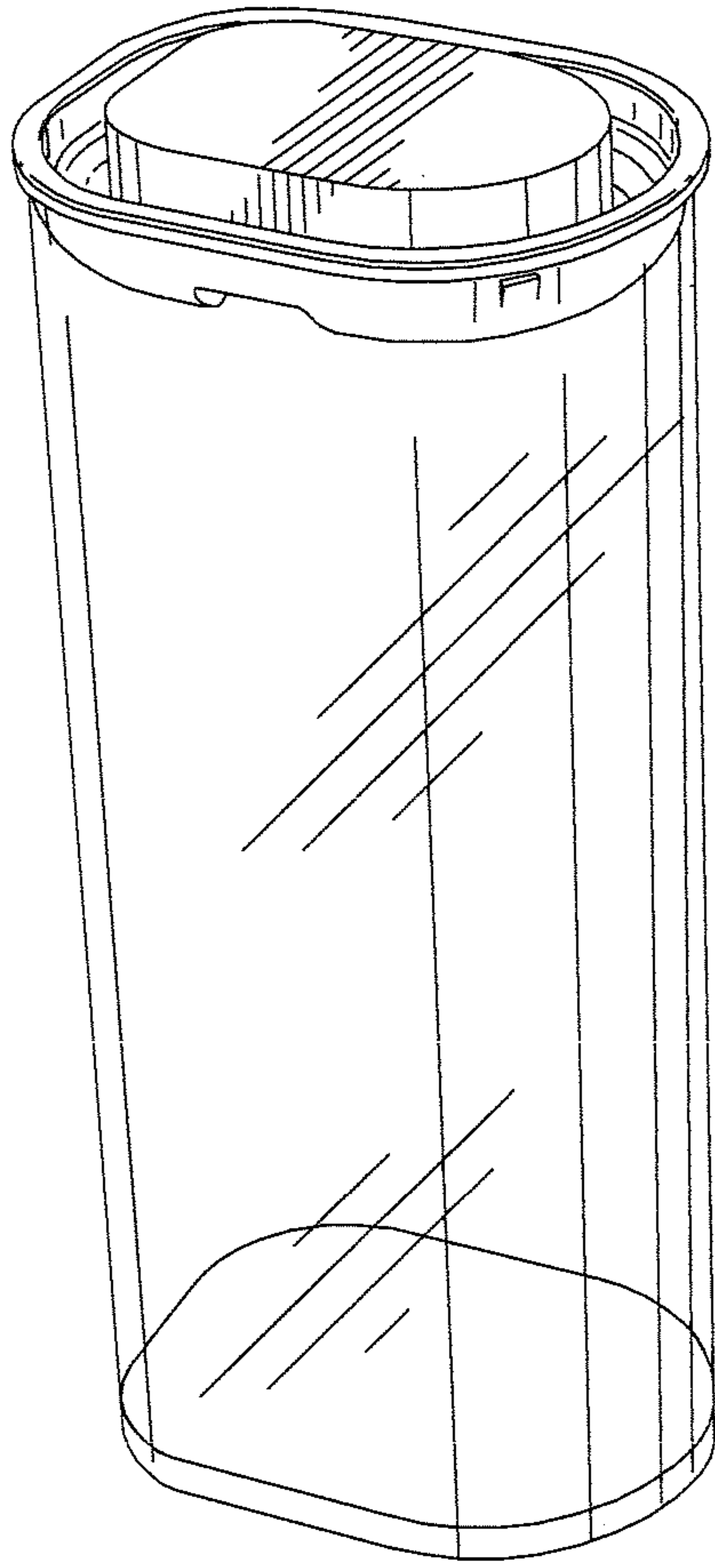


FIG. 1.

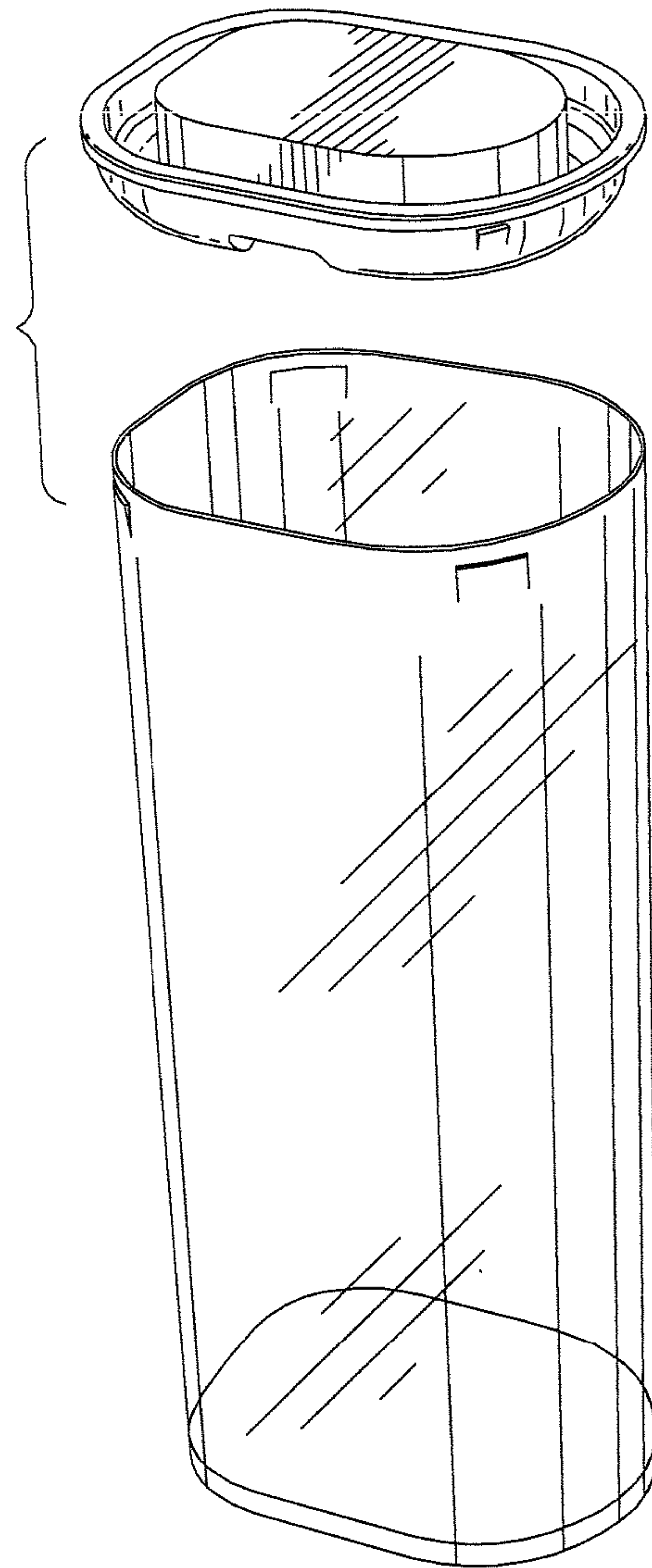


FIG. 2.

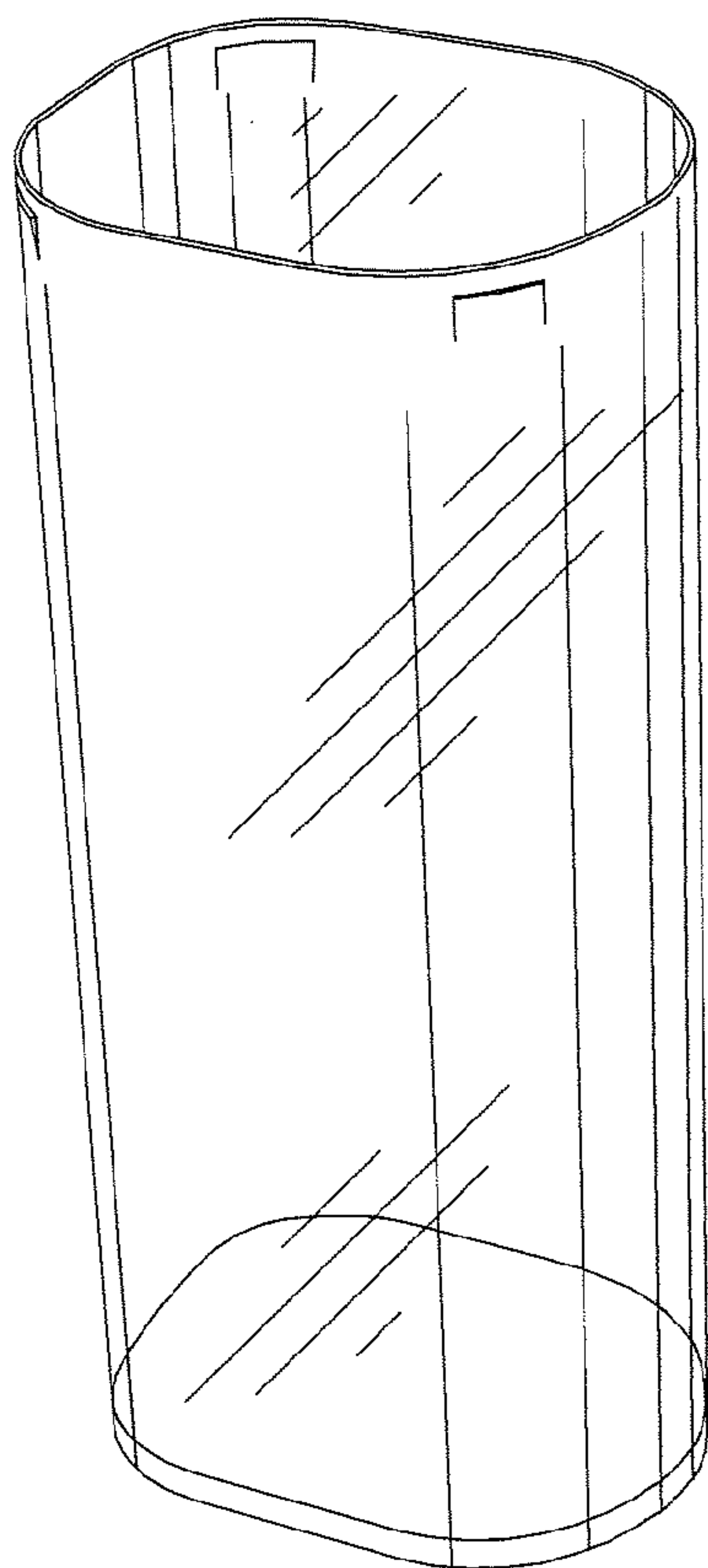


FIG. 3.

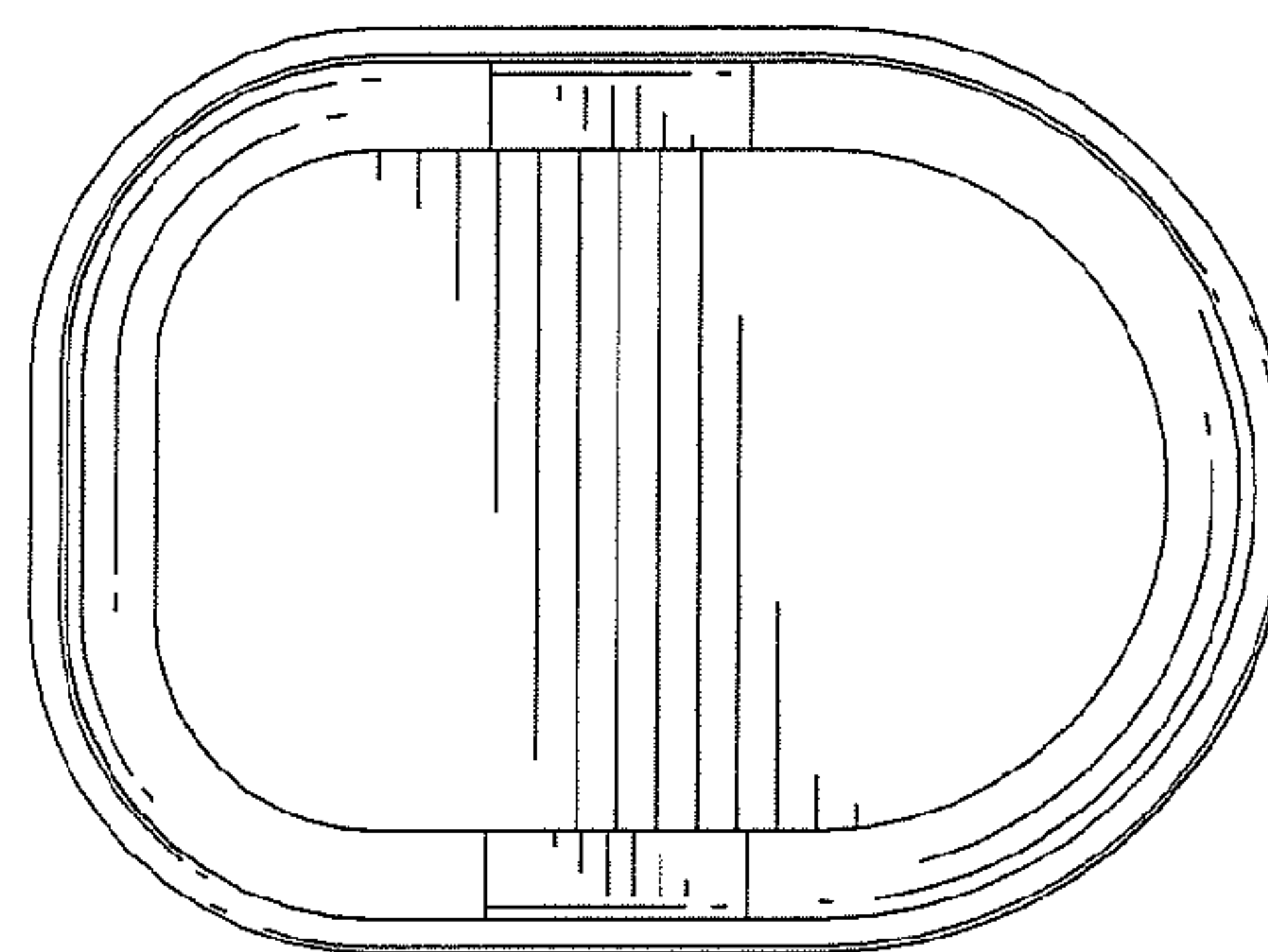


FIG. 4.

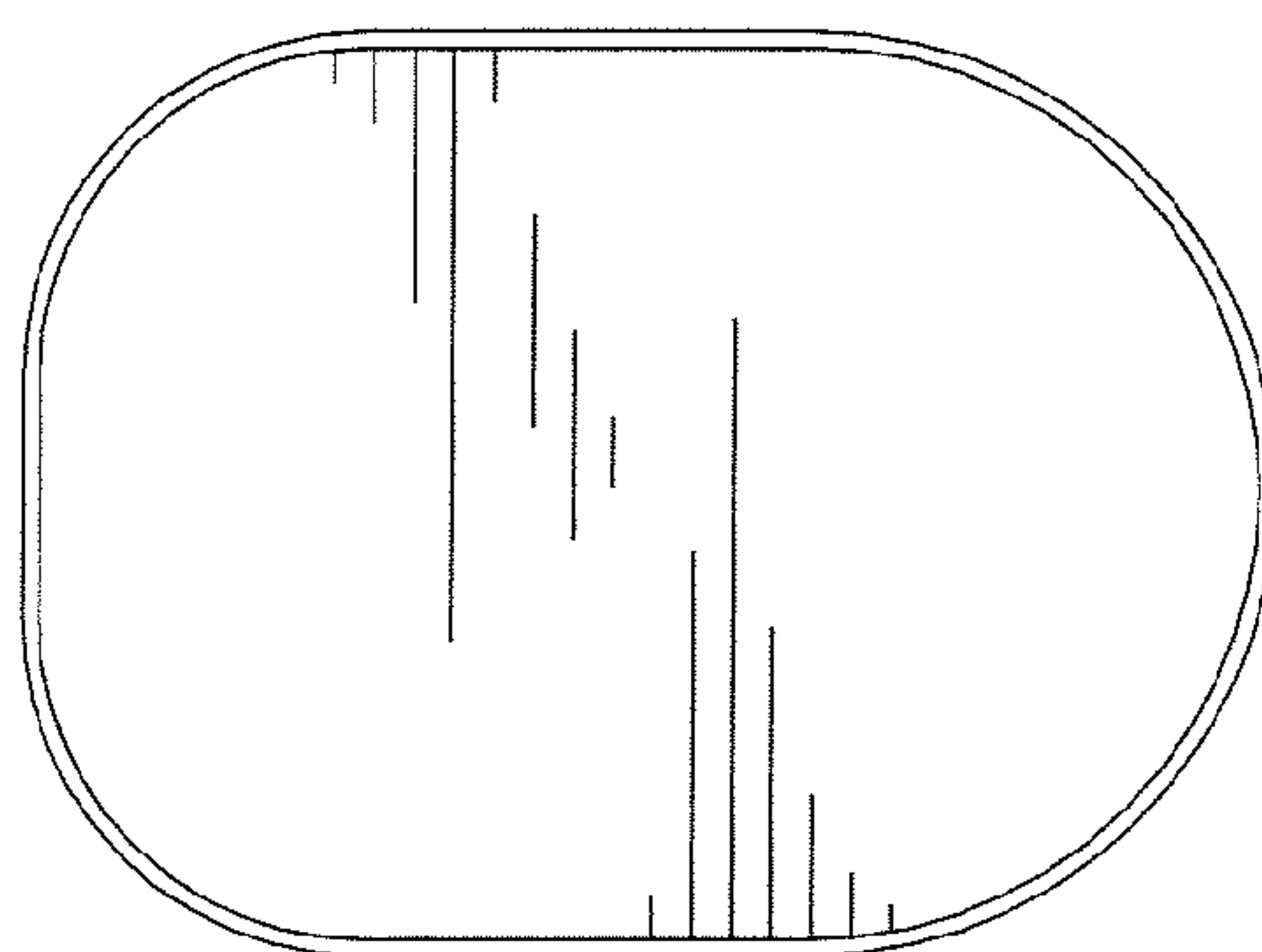


FIG. 5.

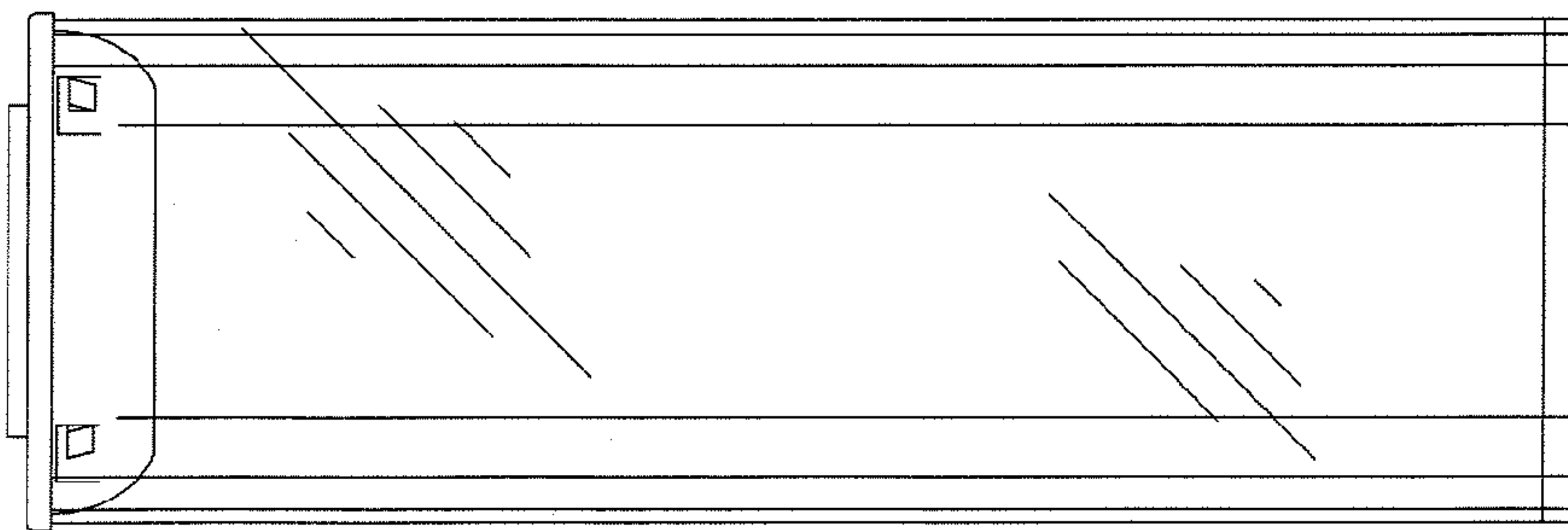


FIG. 6.

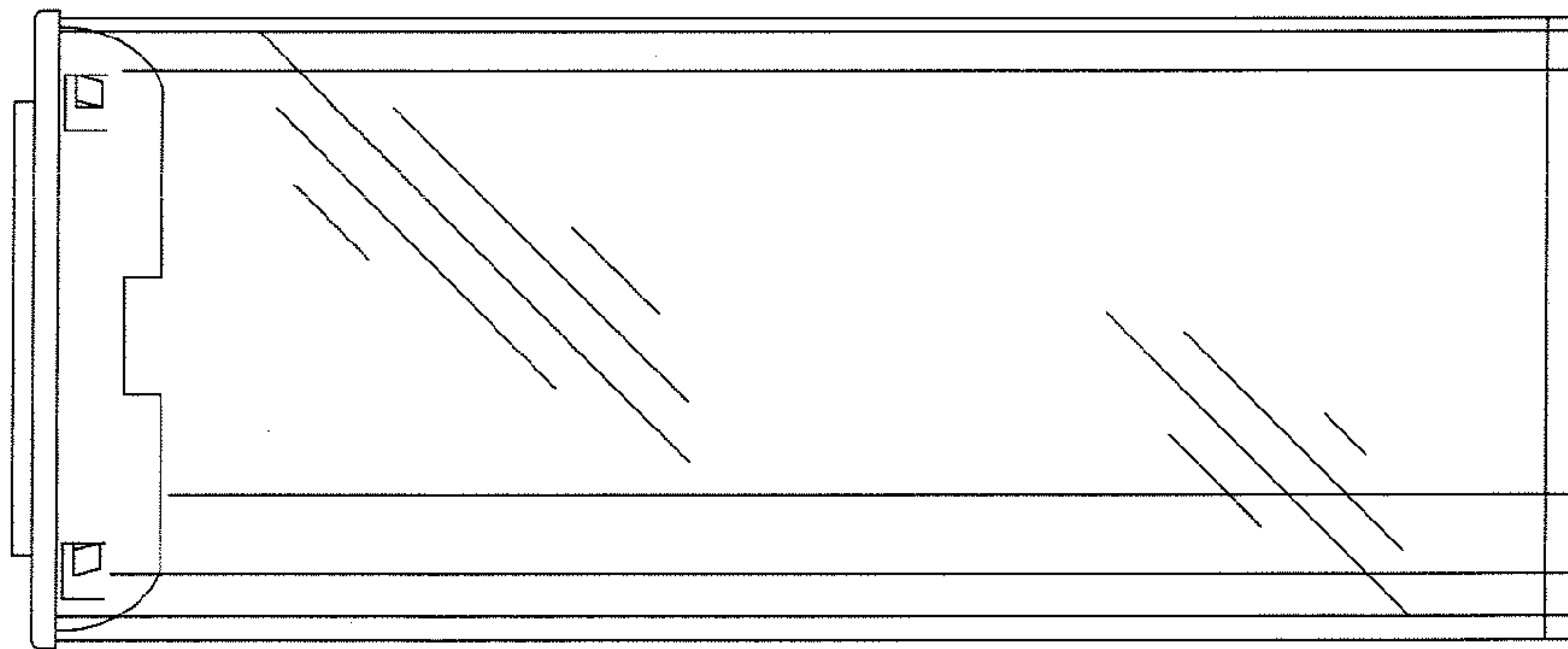


FIG. 7.

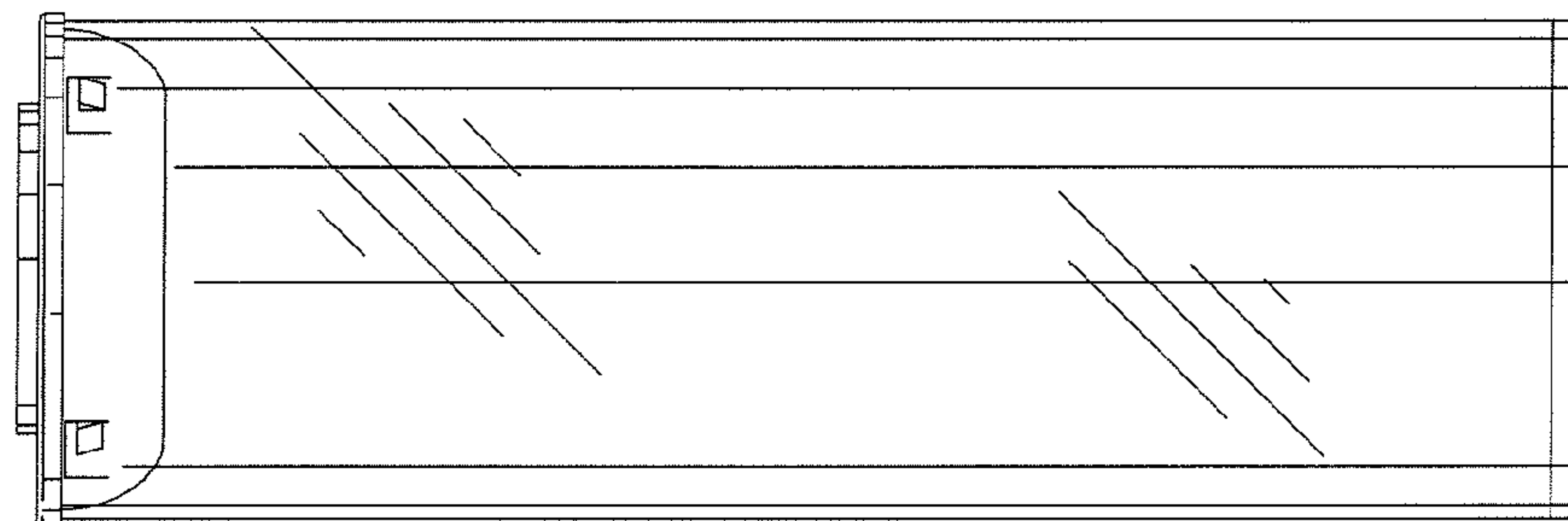


FIG. 8.

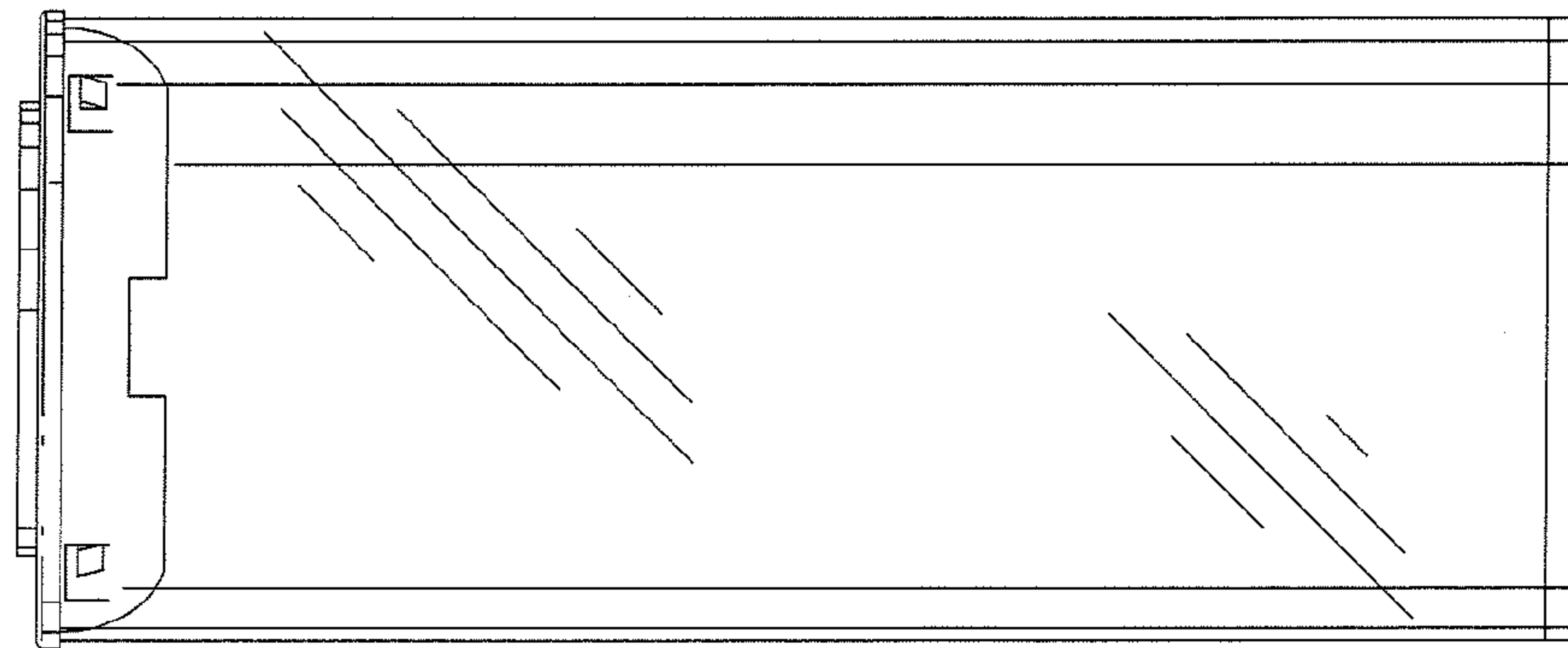


FIG. 9.