



US00D643734S

(12) **United States Design Patent**
Perez et al.

(10) **Patent No.:** **US D643,734 S**
(45) **Date of Patent:** **** Aug. 23, 2011**

(54) **PASTE JAR**

(75) Inventors: **Daniel Perez**, Chicago, IL (US); **Kieron H. Tse**, Chicago, IL (US); **Jason Paul Grochowski**, Crown Point, IN (US)

(73) Assignee: **PRC-DeSoto International, Inc.**, Glendale, CA (US)

(**) Term: **14 Years**

(21) Appl. No.: **29/367,297**

(22) Filed: **Aug. 5, 2010**

(51) **LOC (9) Cl.** **09-01**

(52) **U.S. Cl.** **D9/548; D9/574**

(58) **Field of Classification Search** D9/516,
D9/520, 529, 545, 548, 549, 558, 574, 434,
D9/571; 215/379, 381-385; 220/600, 604,
220/608, 609, 613, 623, 624, 660, 669, 675
See application file for complete search history.

(56) **References Cited**

U.S. PATENT DOCUMENTS

D108,081	S	*	1/1938	Kahn	D9/504
D209,244	S	*	11/1967	Koiensberg	D9/548
D209,785	S	*	1/1968	Koiensberg	D9/548
D210,570	S	*	3/1968	Campbell	D9/502
D210,700	S	*	4/1968	Vanderhyde	D9/500
3,470,930	A	*	10/1969	Jurczenia	220/780
3,474,928	A	*	10/1969	Hurt	206/508
D270,813	S	*	10/1983	Fortuna et al.	D9/500
D270,814	S	*	10/1983	Edwards	D9/520
D275,179	S	*	8/1984	Spencer et al.	D9/520
D288,648	S	*	3/1987	Monaghan	D7/540

D332,919	S	*	2/1993	Turnbull et al.	D9/500
D359,907	S	*	7/1995	Hirsch	D9/548
D359,909	S	*	7/1995	Hirsch	D9/548
D359,910	S	*	7/1995	Hirsch	D9/548
5,657,895	A	*	8/1997	Rogge	220/366.1
5,685,449	A	*	11/1997	Oblak	220/310.1
D435,906	S	*	1/2001	Wilkinson et al.	D24/121
D533,783	S	*	12/2006	Kliger et al.	D9/519
7,178,687	B1	*	2/2007	Manderfield et al.	220/675
D581,288	S	*	11/2008	Villalobos	D9/668
7,624,535	B2	*	12/2009	Schmidt	47/65.5
D610,700	S	*	2/2010	Khoury	D24/224
2005/0017013	A1	*	1/2005	Peisach et al.	220/609
2009/0127223	A1	*	5/2009	Nahill et al.	215/379
2009/0250427	A1	*	10/2009	Strout et al.	215/379

* cited by examiner

Primary Examiner — Stella Reid

Assistant Examiner — Elizabeth J Oswecki

(74) *Attorney, Agent, or Firm* — Alan G. Towner

(57) **CLAIM**

The ornamental design for a paste jar, as shown and described.

DESCRIPTION

FIG. 1 is a top isometric view of a paste jar showing our new design;

FIG. 2 is a bottom isometric view thereof;

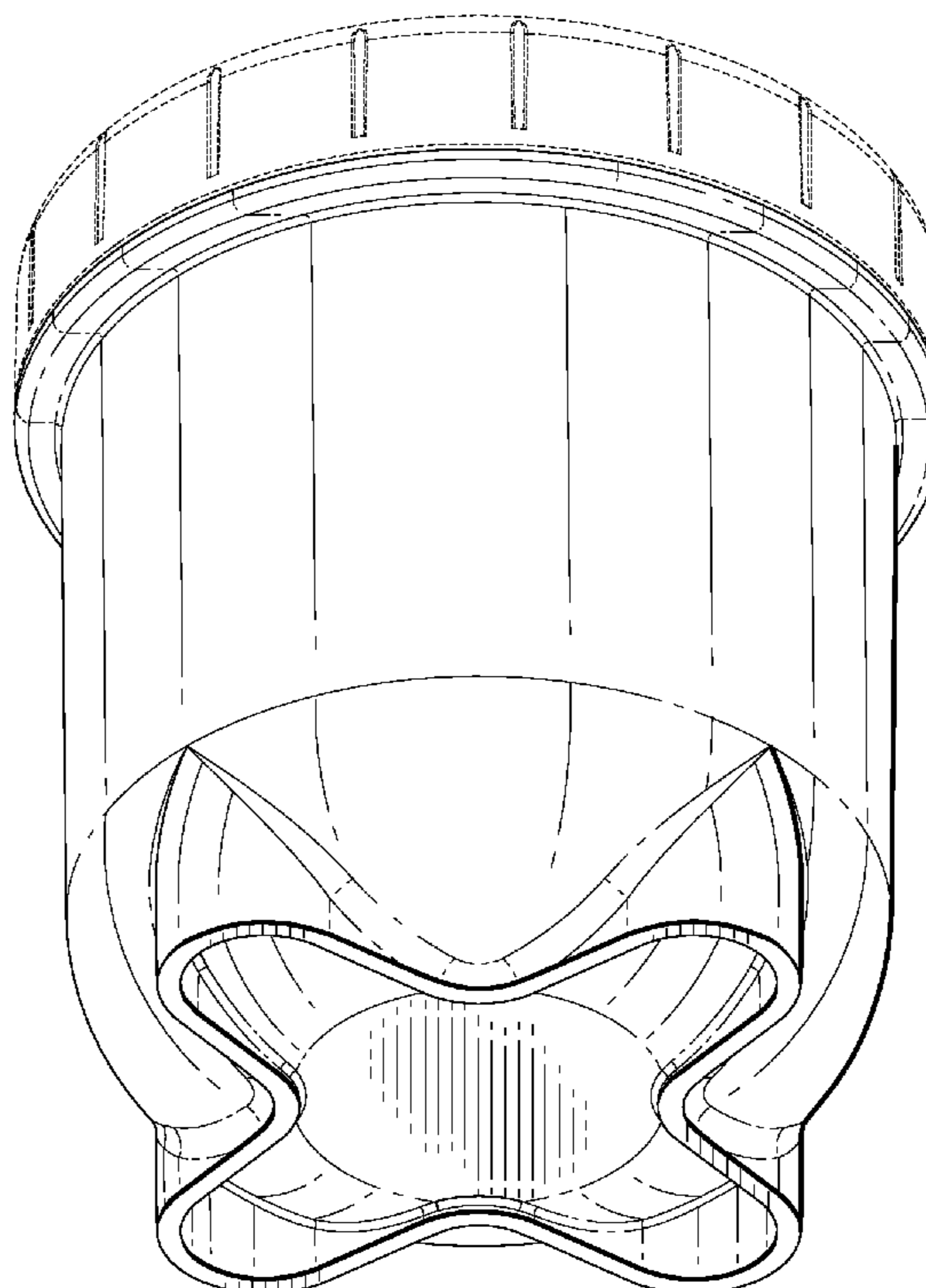
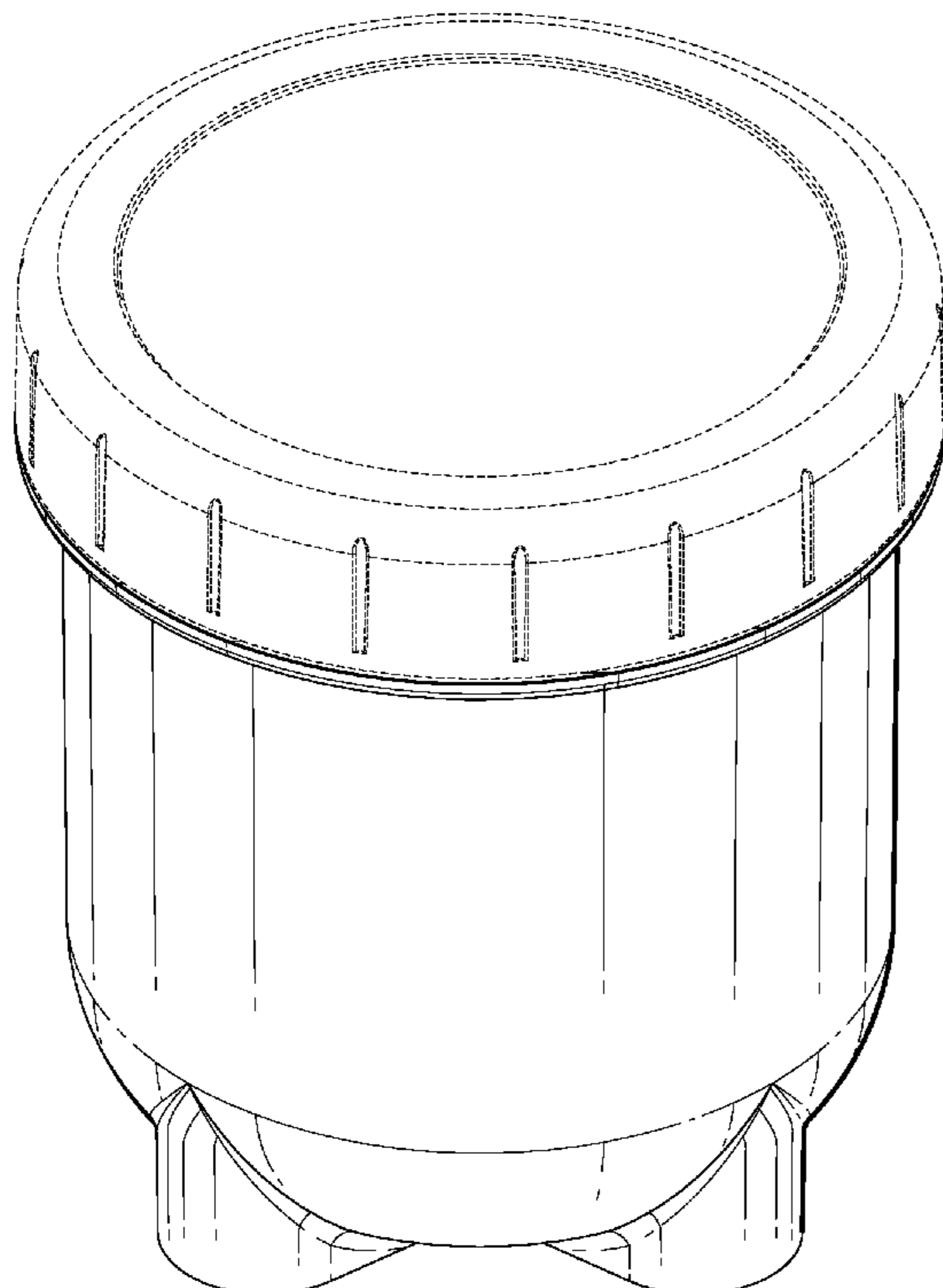
FIG. 3 is a side view thereof;

FIG. 4 is a bottom view thereof; and,

FIG. 5 is a top view thereof.

The broken lines showings in FIGS. 1-3 and 5 are environmental only and not part of the claimed design.

1 Claim, 4 Drawing Sheets



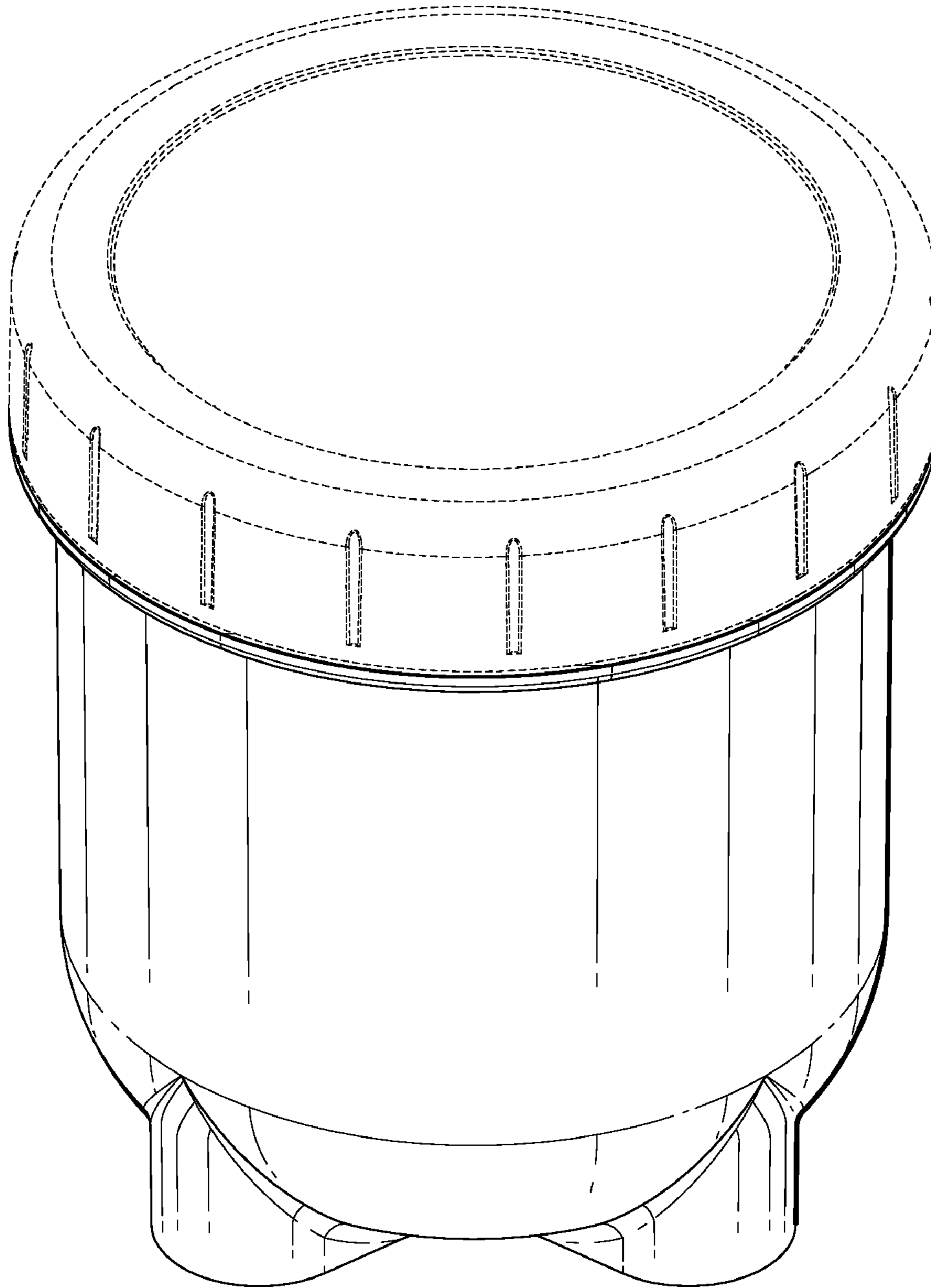


FIG. 1

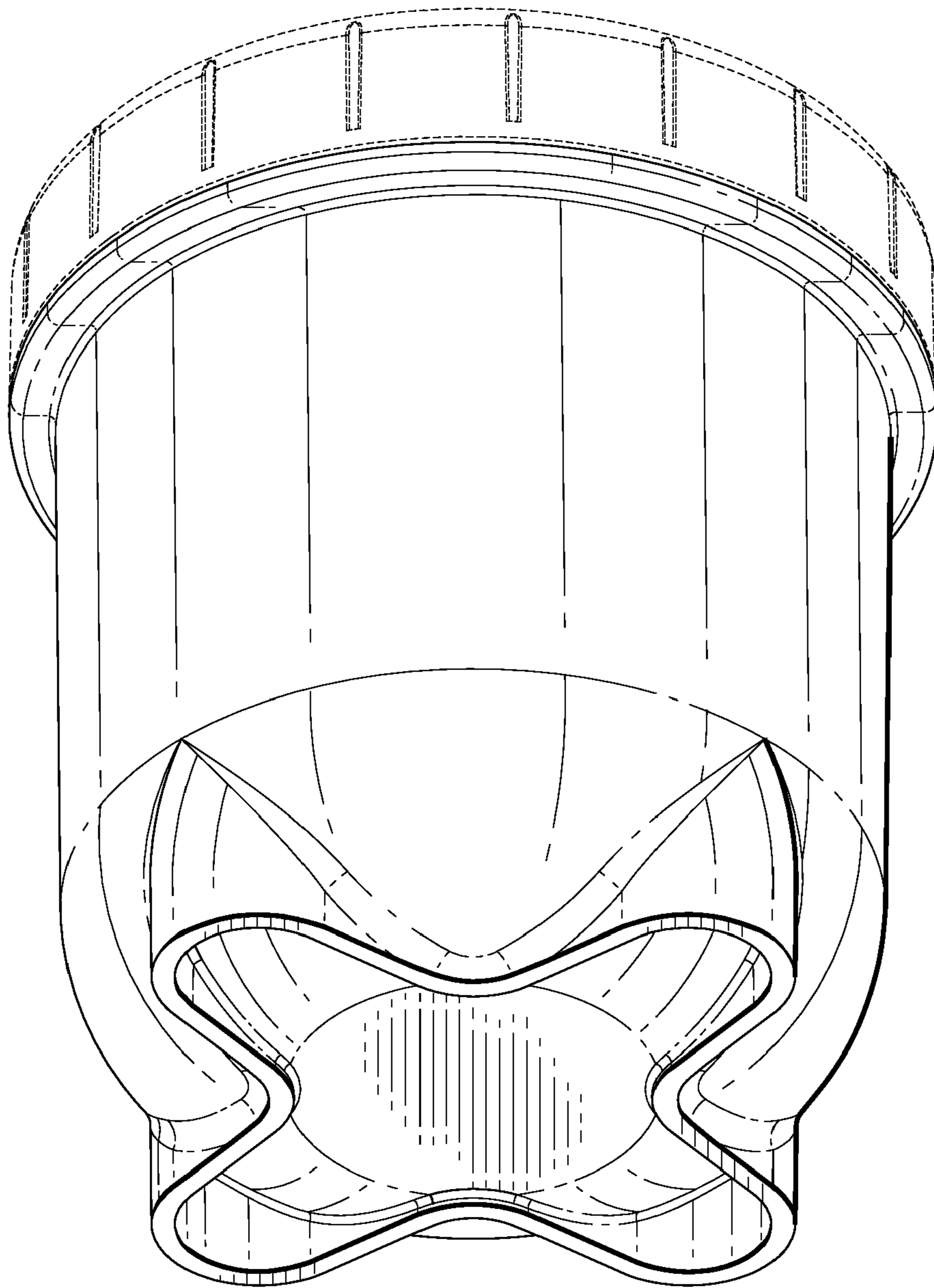


FIG. 2

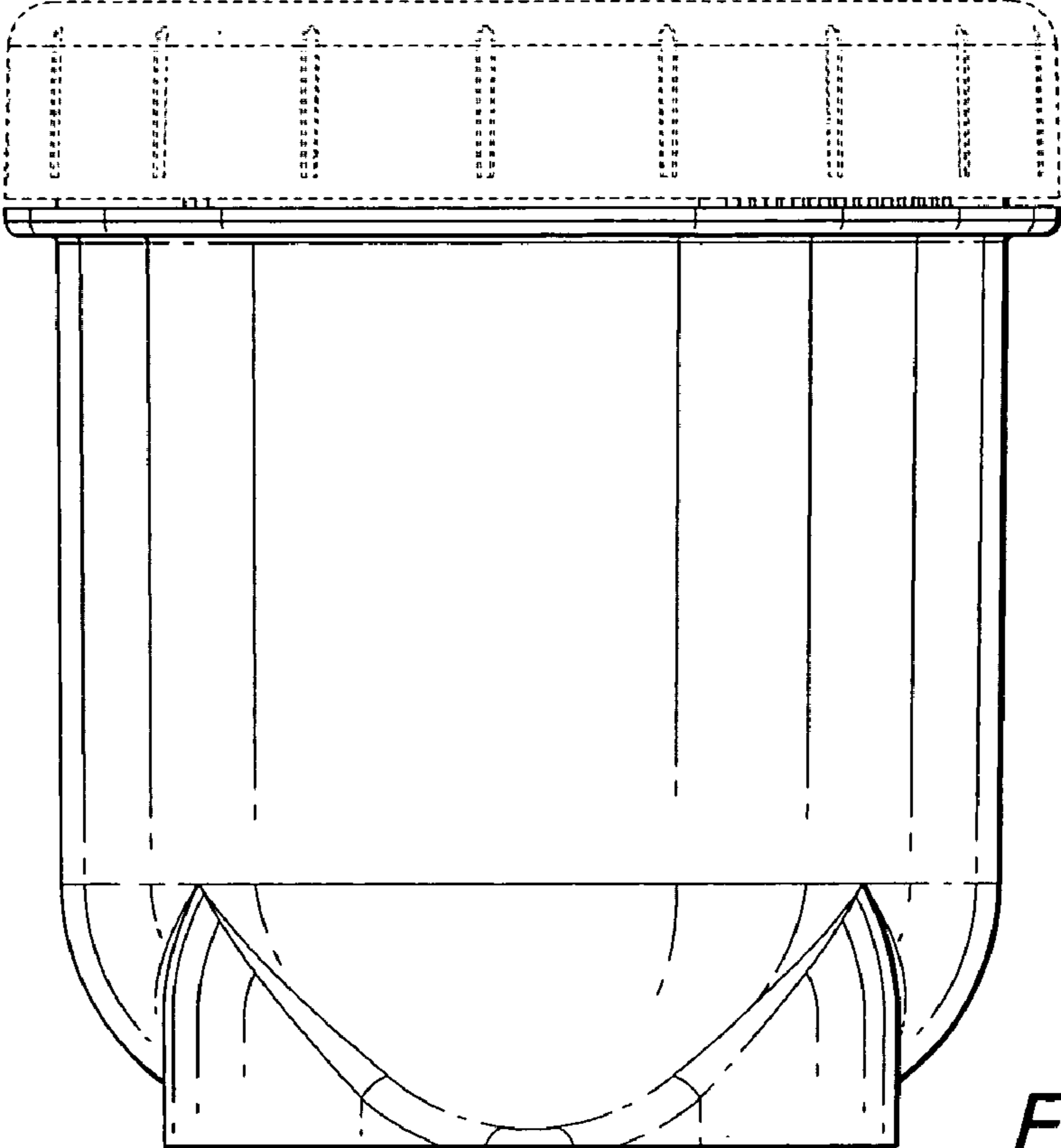


FIG. 3

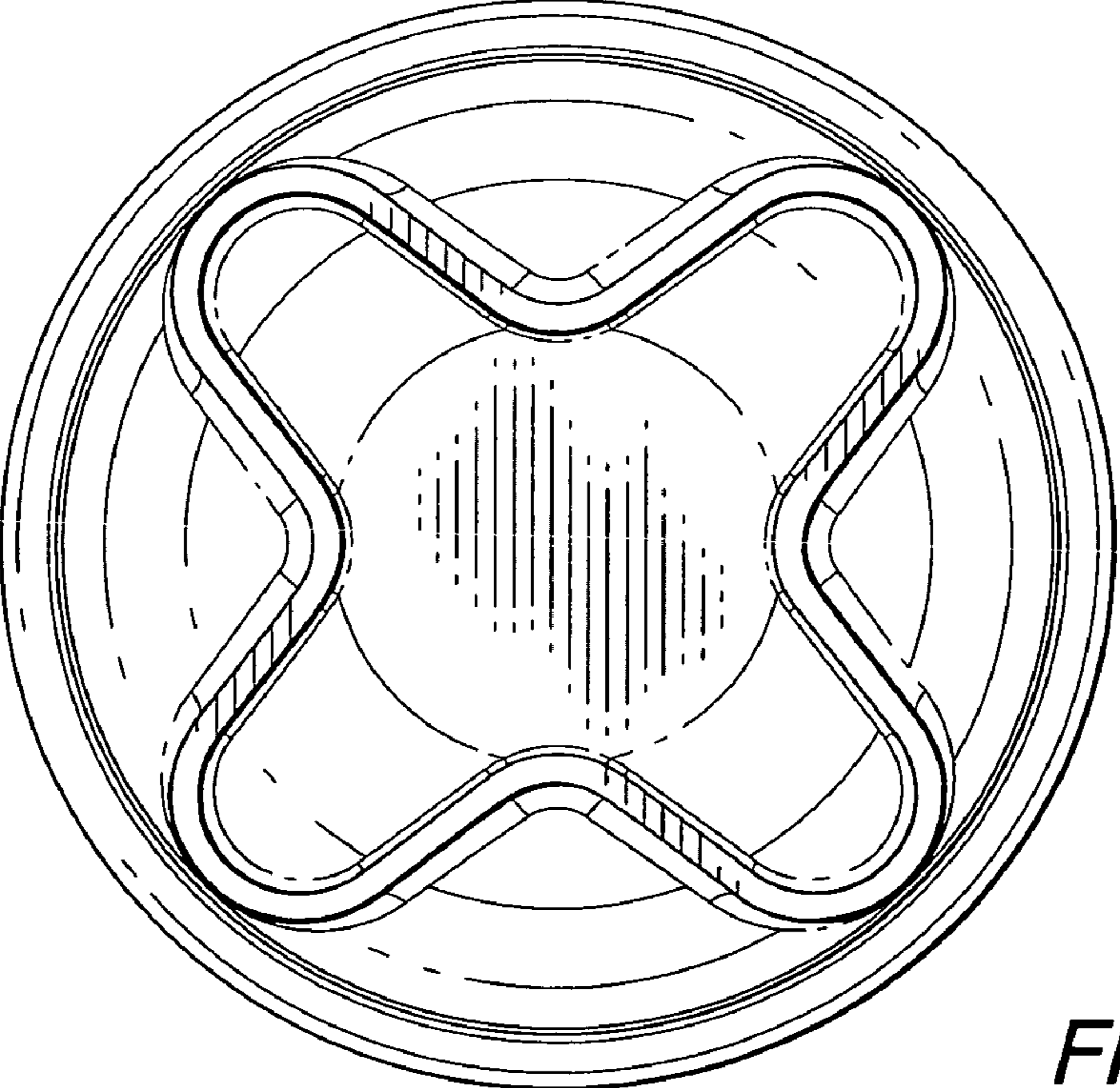


FIG. 4

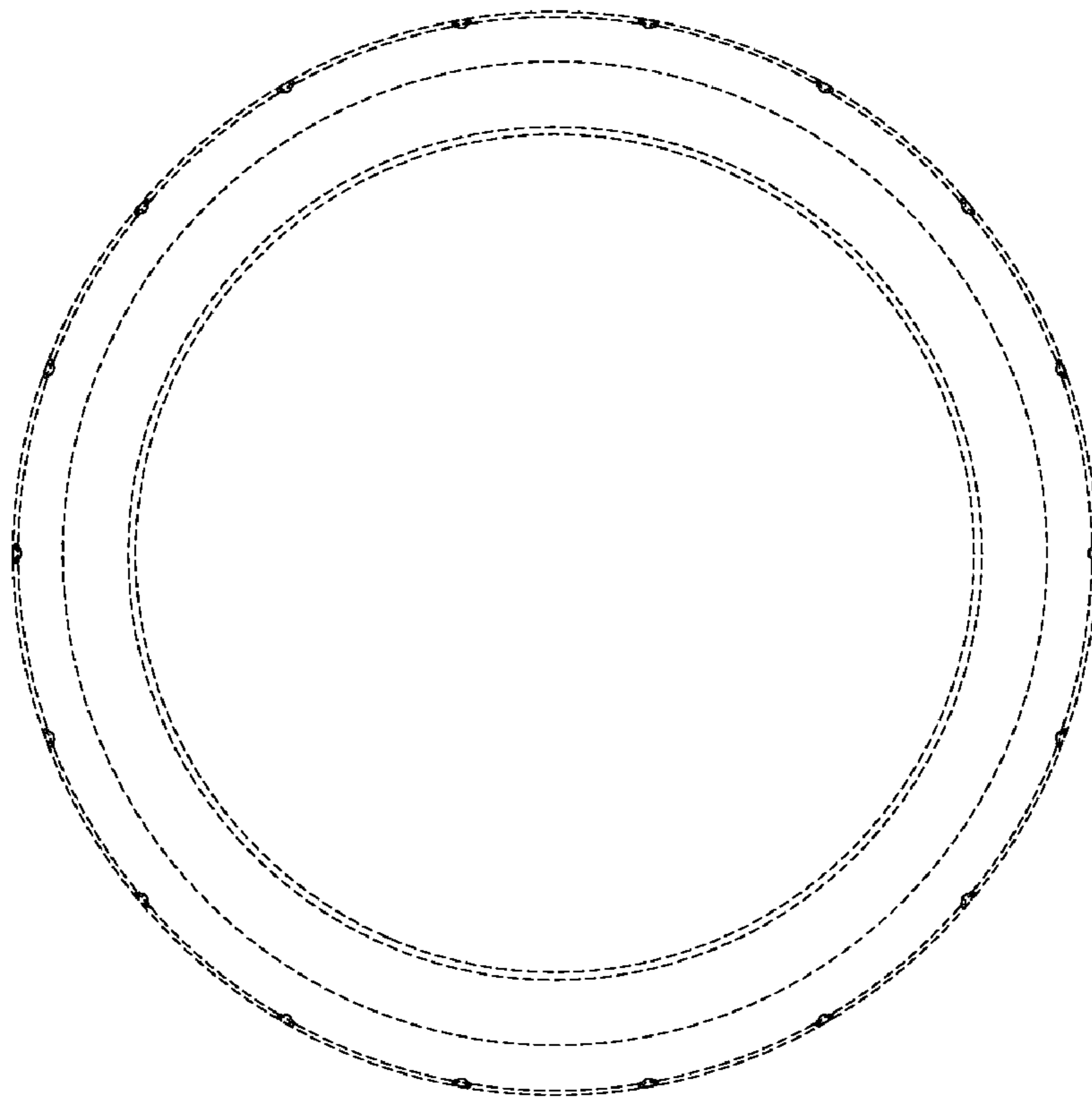


FIG. 5