



US00D643733S

(12) **United States Design Patent**  
**Aebi**

(10) **Patent No.:** **US D643,733 S**

(45) **Date of Patent:** **\*\* Aug. 23, 2011**

(54) **PERFUME BOTTLE**

(75) Inventor: **Aurel Aebi**, La Neuveville (CH)

(73) Assignee: **BULGARI S.p.A.**, Rome (IT)

(\*\*) Term: **14 Years**

(21) Appl. No.: **29/380,540**

(22) Filed: **Dec. 7, 2010**

(30) **Foreign Application Priority Data**

Aug. 20, 2010 (EM) ..... DM/074 152

(51) **LOC (9) Cl.** ..... **09-01**

(52) **U.S. Cl.** ..... **D9/544; D9/573; D9/574**

(58) **Field of Classification Search** ..... D9/516,  
D9/544-546, 549, 553, 558-559, 566, 571-575,  
D9/682, 686-691, 694; 215/379, 382; 220/660,  
220/662-663, 665, 669-673

See application file for complete search history.

(56) **References Cited**

**U.S. PATENT DOCUMENTS**

D284,352 S *	6/1986	Thompson	.....	D9/520
D325,698 S *	4/1992	Cavazza	.....	D9/544
D355,604 S *	2/1995	De Baschmakoff	.....	D9/521
D356,502 S *	3/1995	Poandl	.....	D9/520
D360,137 S *	7/1995	De Baschmakoff	.....	D9/545
D378,059 S *	2/1997	De Baschmakoff	.....	D9/544

D385,797 S *	11/1997	Baschmakoff	.....	D9/544
D387,282 S *	12/1997	De Baschmakoff	.....	D9/545
D387,283 S *	12/1997	Sgariboldi	.....	D9/548
D396,413 S *	7/1998	Duboff	.....	D9/539
D433,932 S *	11/2000	Kuzma et al.	.....	D9/682
D536,256 S *	2/2007	Nagata	.....	D9/557
D536,257 S *	2/2007	Weber	.....	D9/558
D551,560 S *	9/2007	De Baschmakoff	.....	D9/558
D598,776 S *	8/2009	Greene et al.	.....	D9/545
D604,629 S *	11/2009	Aebi	.....	D9/544
D621,716 S *	8/2010	Camby	.....	D9/545

\* cited by examiner

*Primary Examiner* — Ian Simmons

*Assistant Examiner* — Dana L Sipos

(74) *Attorney, Agent, or Firm* — Reising Ethington P.C.

(57) **CLAIM**

I claim the ornamental design for a perfume bottle, as shown and described.

**DESCRIPTION**

FIG. 1 is a top, front, right side perspective view of a perfume bottle showing my new design;

FIG. 2 is a front elevation view thereof;

FIG. 3 is a rear elevation view thereof;

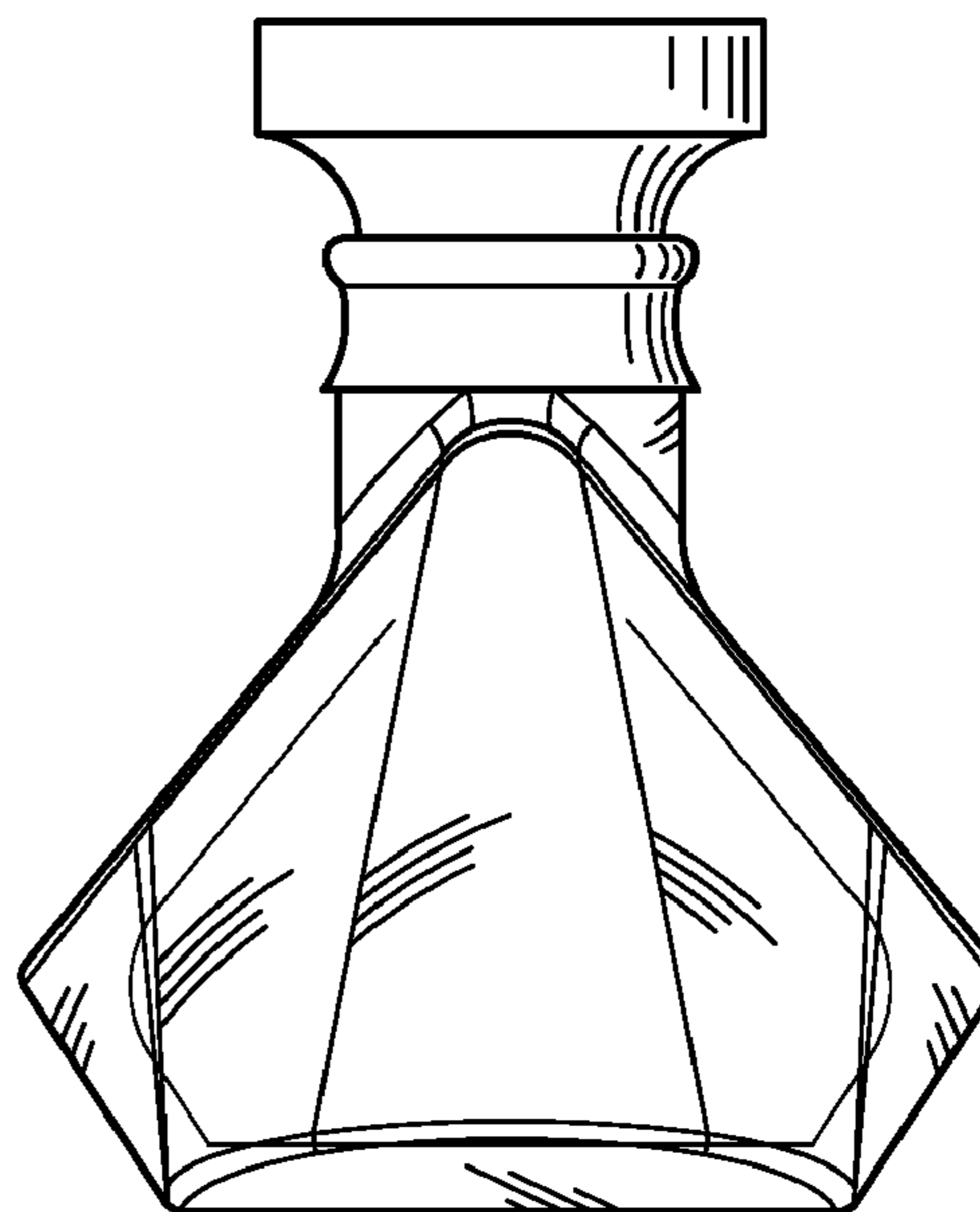
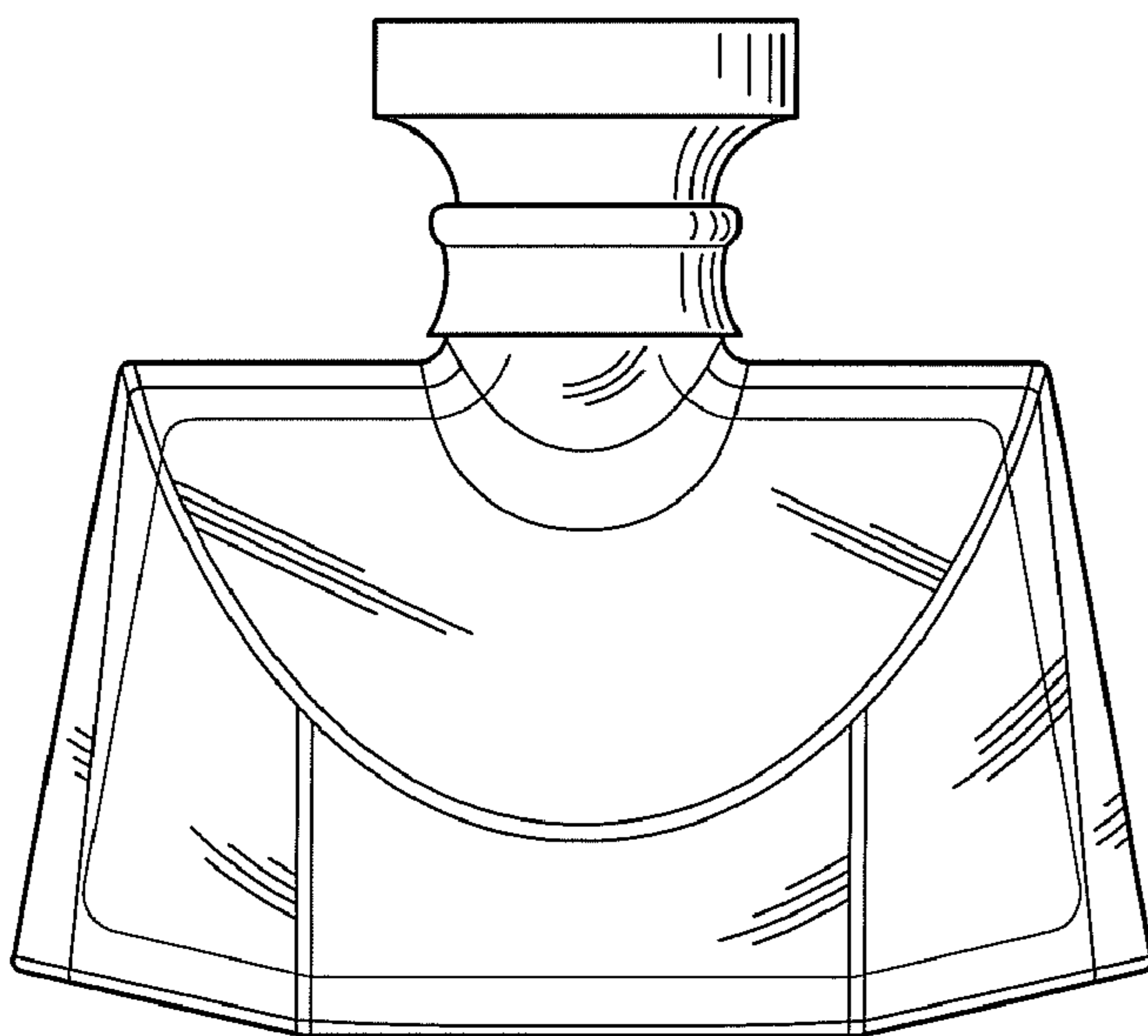
FIG. 4 is a right side elevation view thereof;

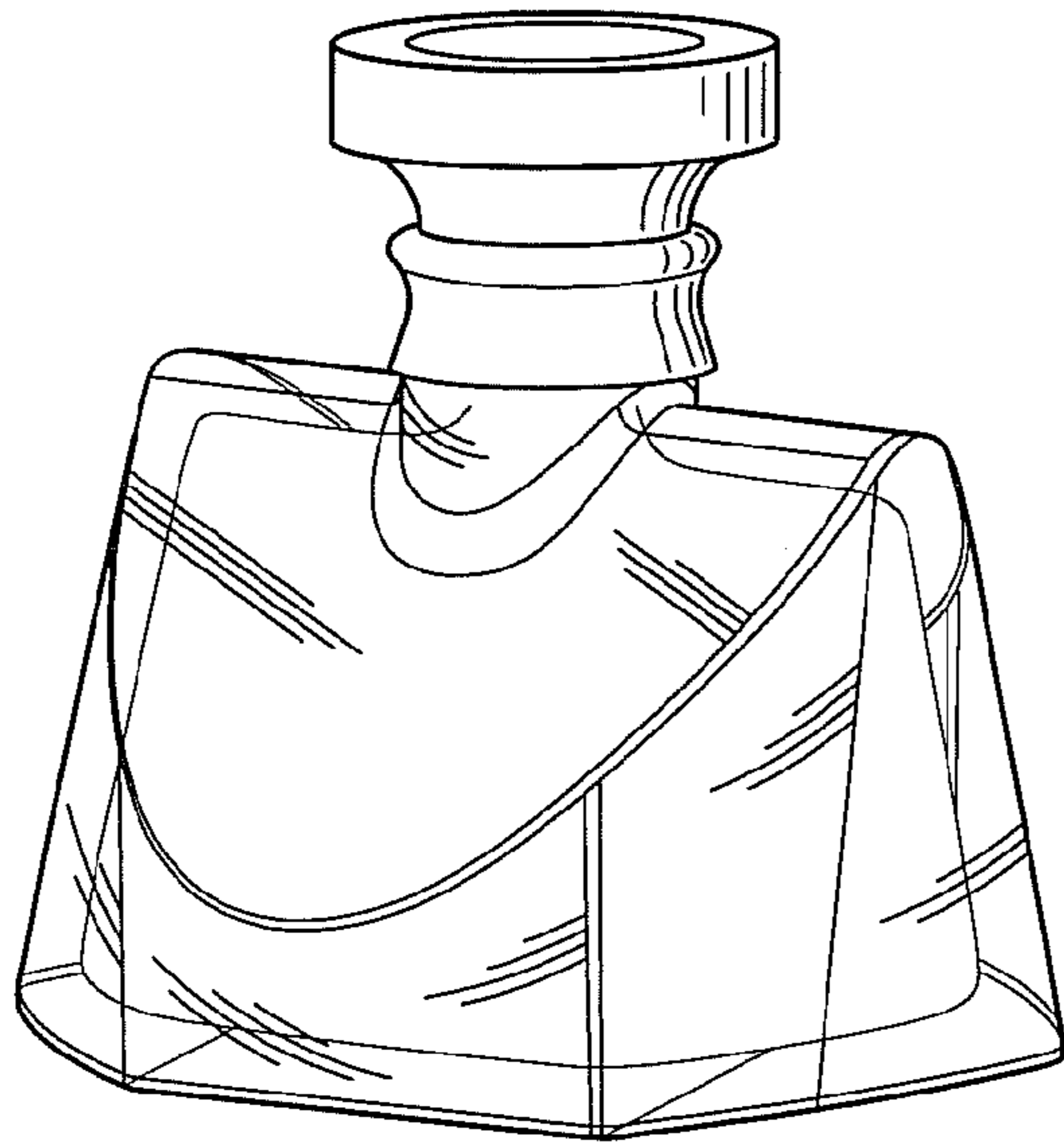
FIG. 5 is a left side elevation view thereof;

FIG. 6 is a top plan view thereof; and,

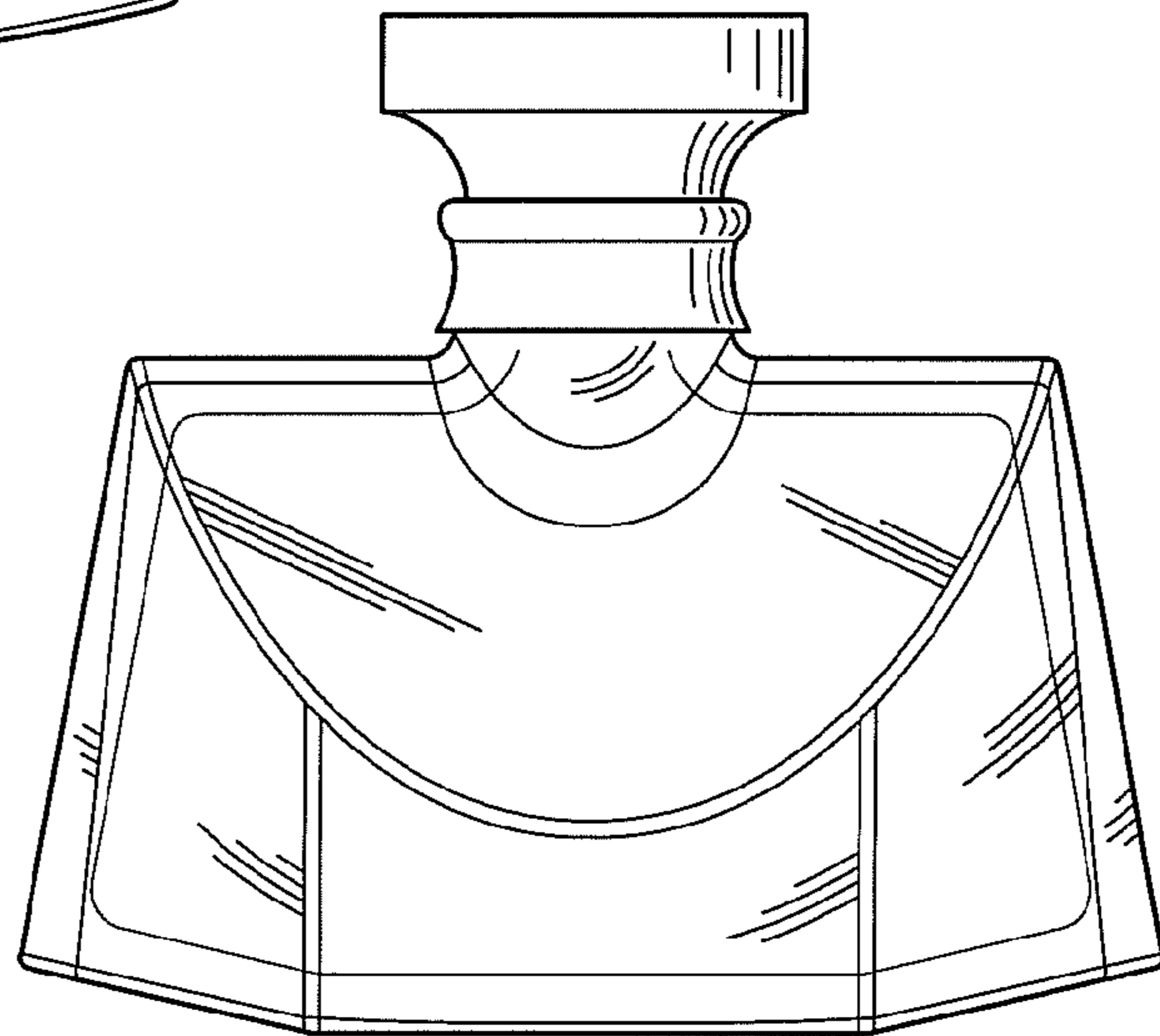
FIG. 7 is a bottom plan view thereof.

**1 Claim, 2 Drawing Sheets**

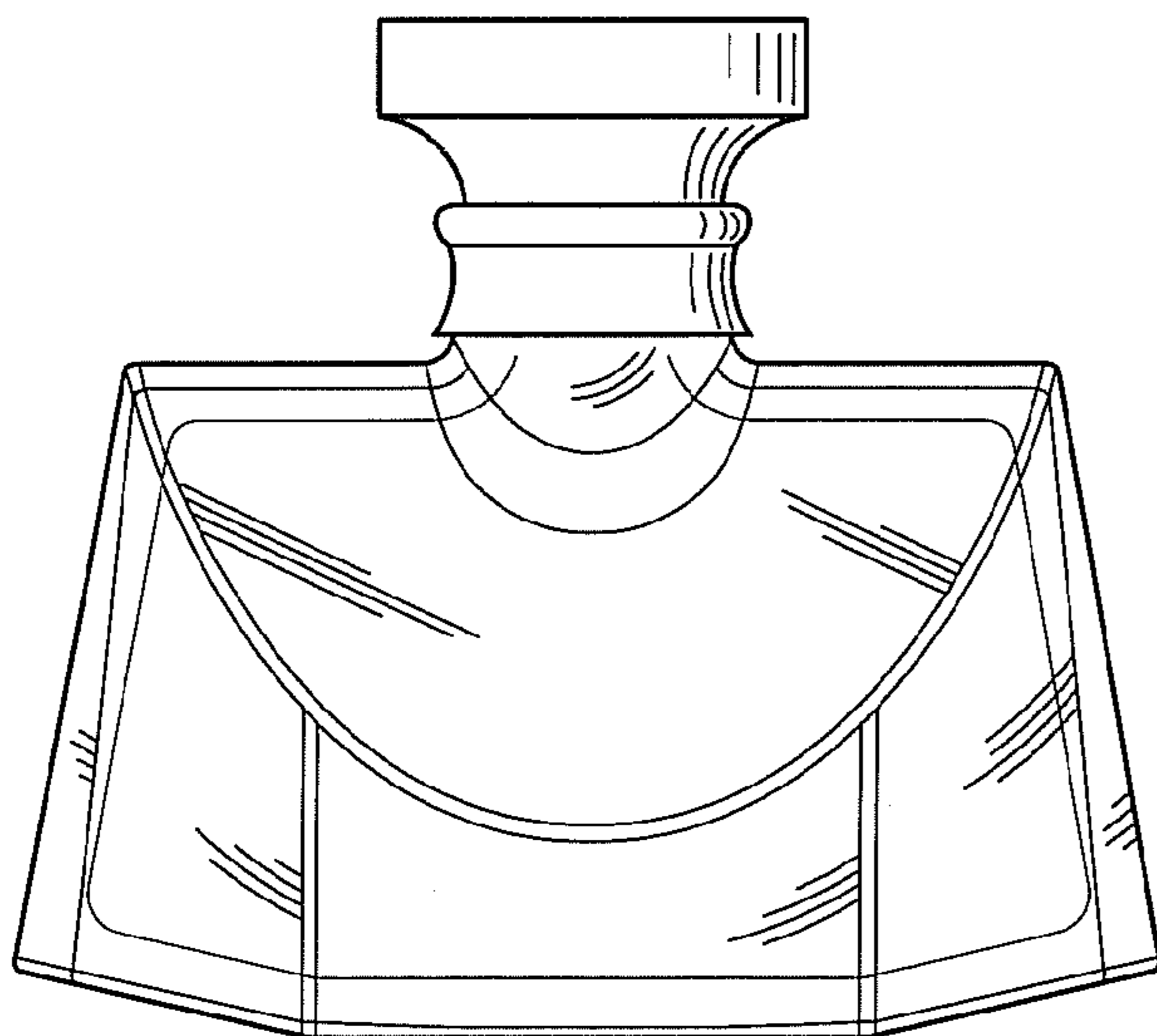




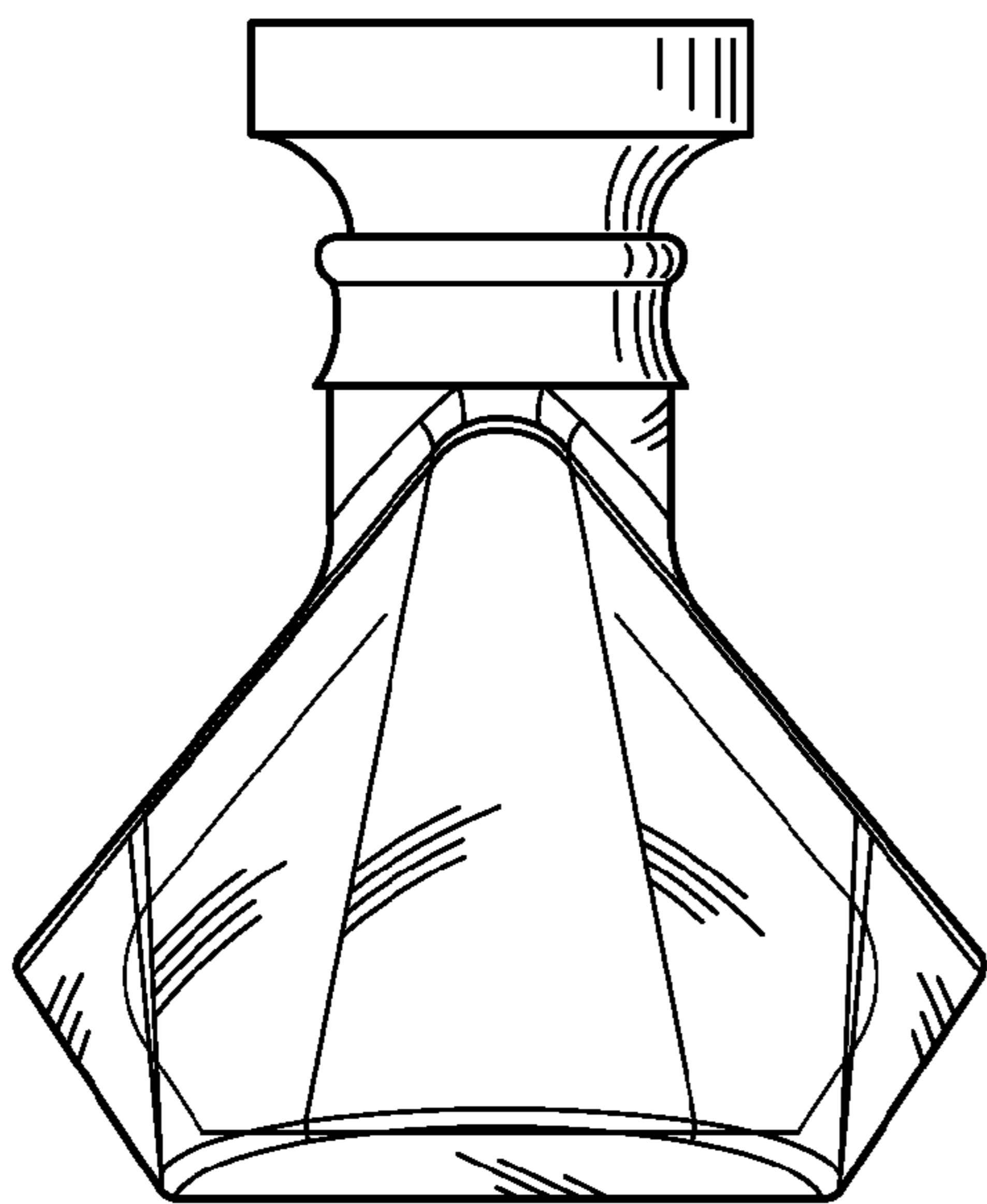
**FIG. 1**



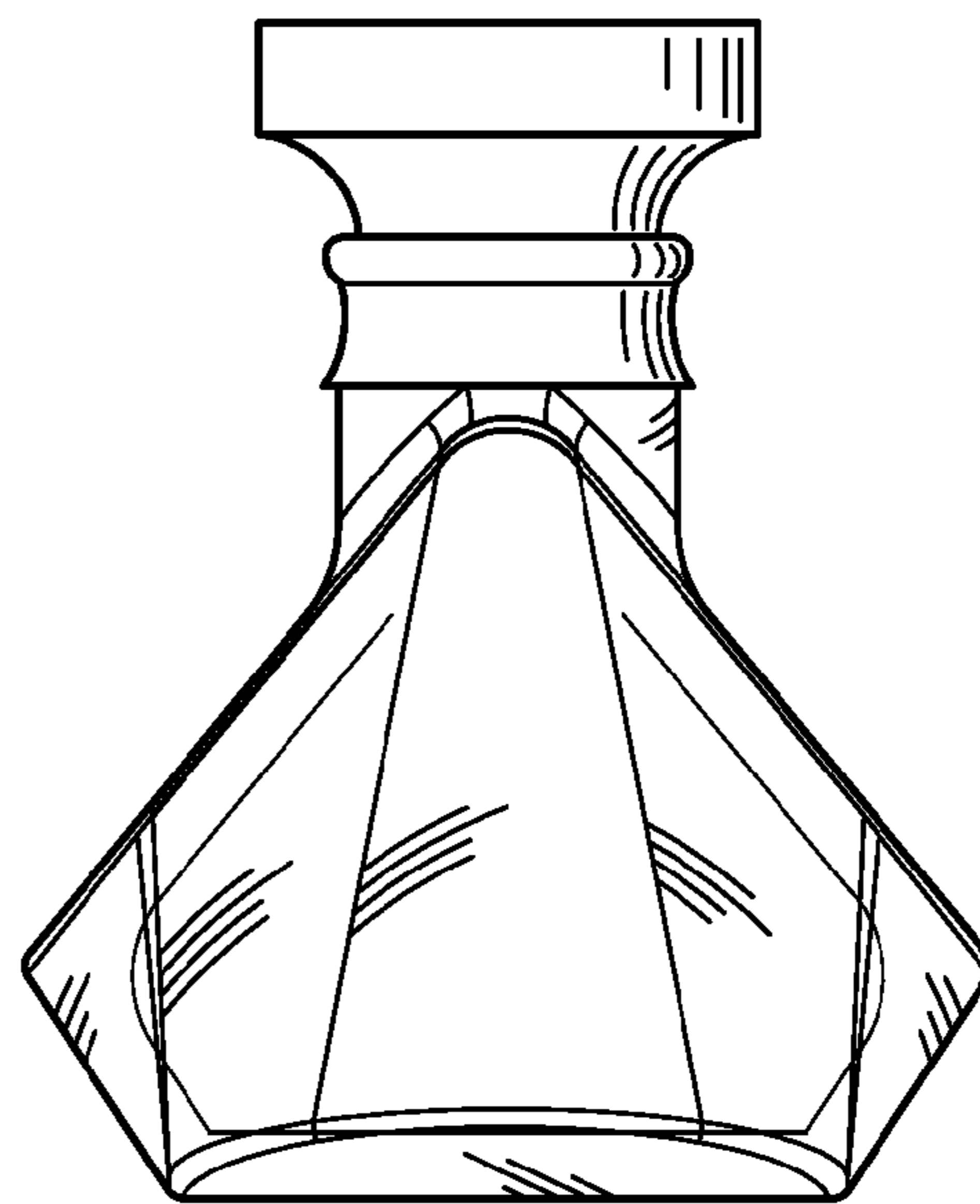
**FIG. 2**



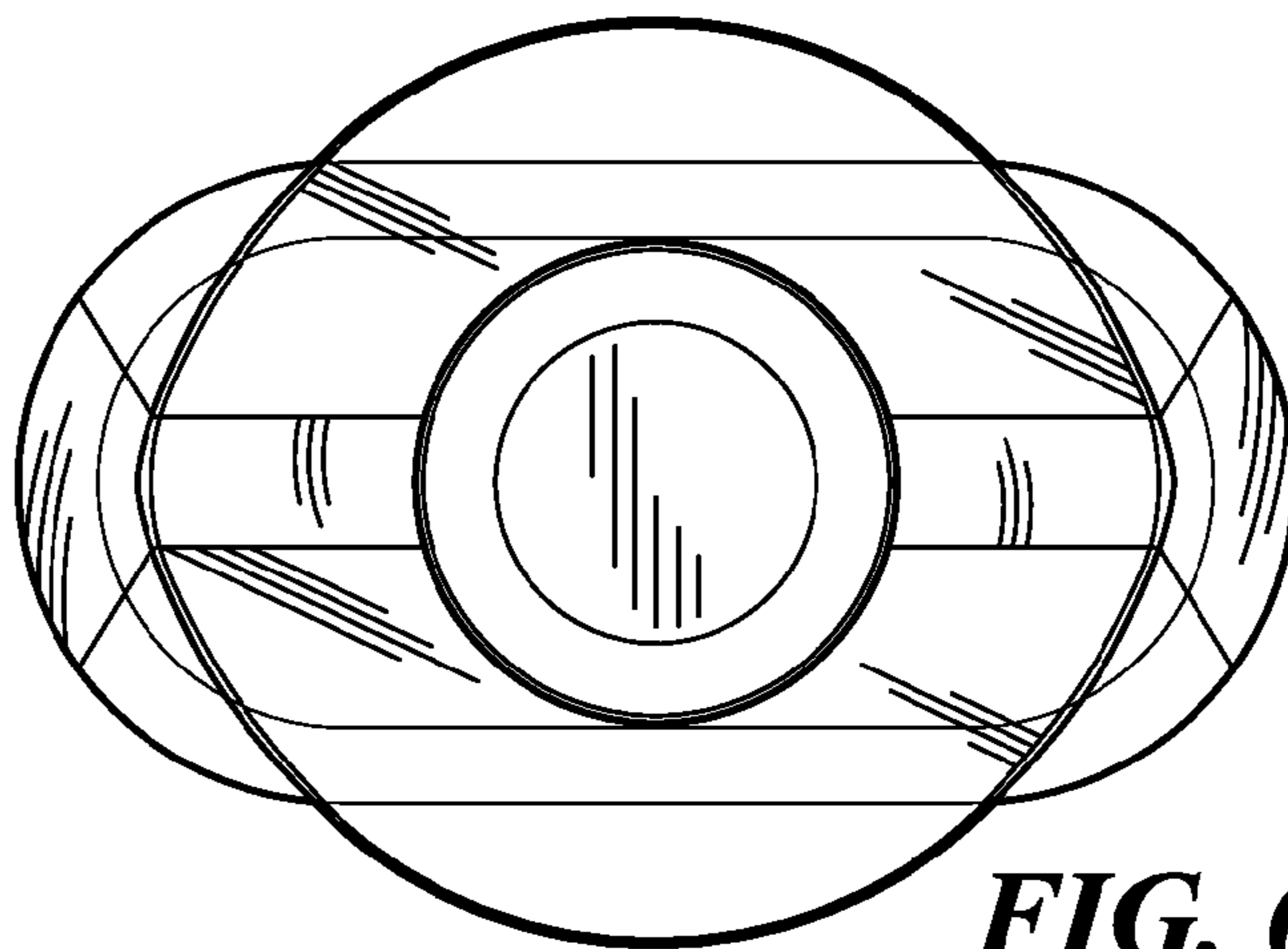
**FIG. 3**



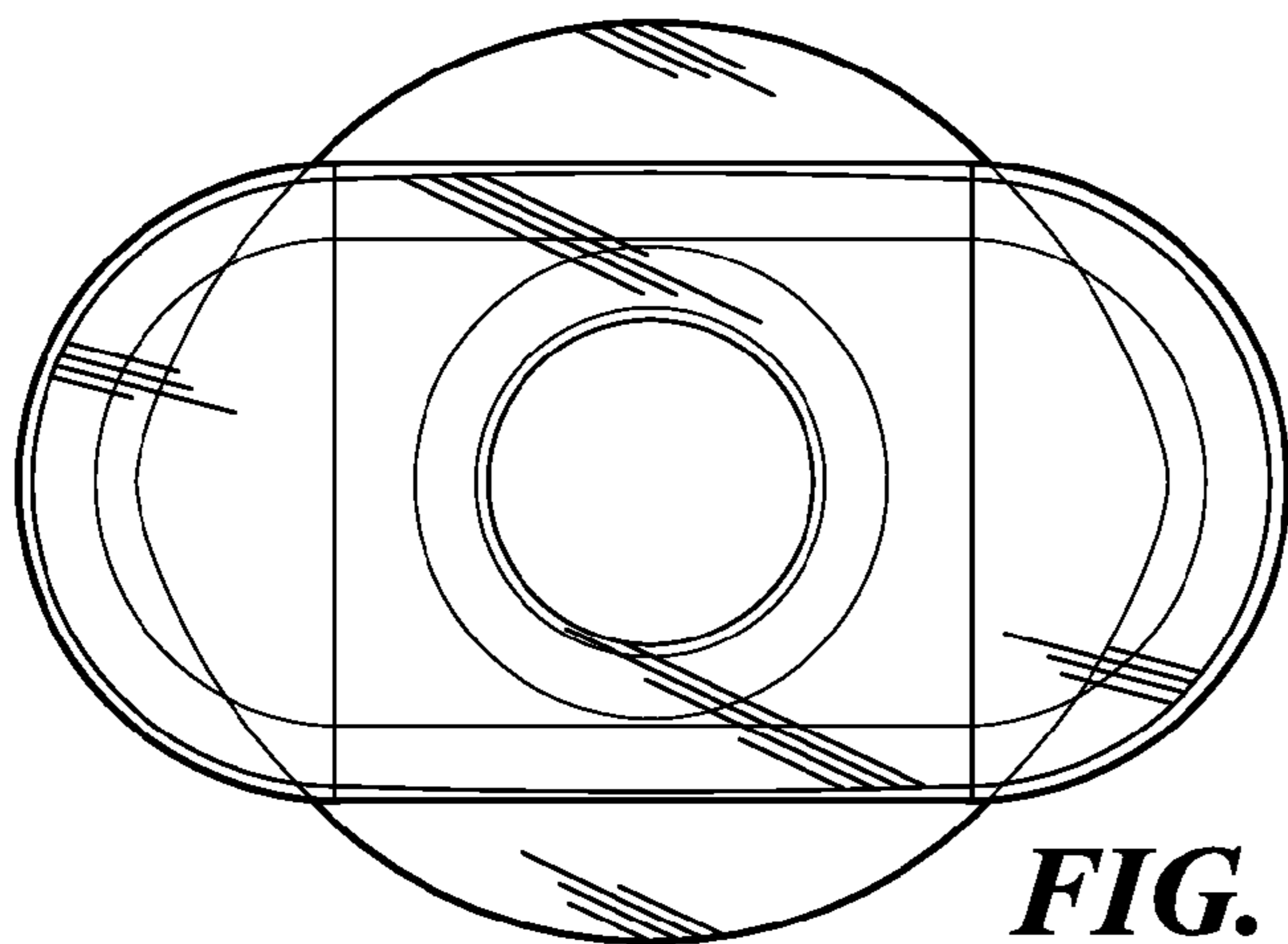
**FIG. 4**



**FIG. 5**



**FIG. 6**



**FIG. 7**