



US00D643730S

(12) **United States Design Patent**  
**Booth et al.**

(10) **Patent No.:** **US D643,730 S**  
(45) **Date of Patent:** **\*\* Aug. 23, 2011**

(54) **CONTAINER**

(75) Inventors: **Peter Booth**, Marlborough (GB);  
**Corinne Elizabeth Elstow**,  
Marlborough (GB); **John David Lamb**,  
Bottlesford (GB); **Dominique Celine**  
**Ignace Marie Geeraert**, Erembodegem  
(BE)

(73) Assignee: **The Procter & Gamble Company**,  
Cincinnati, OH (US)

(\*\*) Term: **14 Years**

(21) Appl. No.: **29/308,450**

(22) Filed: **Jun. 18, 2008**

(30) **Foreign Application Priority Data**

Dec. 20, 2007 (EM) ..... 000846779

(51) **LOC (9) Cl.** ..... **09-01**

(52) **U.S. Cl.** ..... **D9/541; 453/454; 453/543; 453/564;**  
**453/570; 453/571**

(58) **Field of Classification Search** ..... D9/516,  
D9/520, 530, 541, 542, 543, 551, 556, 557,  
D9/564, 569, 570, 571, 575, 453, 454, 529,  
D9/540; 215/381-385; 220/600, 608, 660,  
220/669, 675

See application file for complete search history.

(56) **References Cited**

**U.S. PATENT DOCUMENTS**

D374,625 S *	10/1996	Flurer et al.	.....	D9/542
D422,508 S *	4/2000	Restrepo	.....	D9/724
D442,867 S *	5/2001	Krishnakumar et al.	.....	D9/537
D445,177 S *	7/2001	Cogger	.....	D24/120
D445,178 S *	7/2001	Cogger	.....	D24/120
D451,032 S *	11/2001	Iizuka et al.	.....	D9/569
D482,625 S *	11/2003	Crawford et al.	.....	D9/564
D498,680 S *	11/2004	Cleary	.....	D9/542

D519,380 S *	4/2006	Leoncavallo et al.	.....	D9/530
D522,870 S *	6/2006	Venkataraman et al.	.....	D9/538
D523,345 S *	6/2006	Kamineni	.....	D9/537
D524,657 S *	7/2006	Harris et al.	.....	D9/522
D527,645 S *	9/2006	Pedmo et al.	.....	D9/542
D544,364 S *	6/2007	Archeny et al.	.....	D9/560
D546,691 S *	7/2007	Lepoitevin	.....	D9/522
D547,665 S *	7/2007	Lepoitevin	.....	D9/541
D548,599 S *	8/2007	Blasko	.....	D9/516
D565,417 S *	4/2008	Lee et al.	.....	D9/541
D566,564 S *	4/2008	Lee et al.	.....	D9/521
D568,164 S *	5/2008	Dodge et al.	.....	D9/544
D569,733 S *	5/2008	Dodge et al.	.....	D9/544
D577,593 S *	9/2008	Hestehave	.....	D9/541
D582,778 S *	12/2008	Burson	.....	D9/536
D583,248 S *	12/2008	Little	.....	D9/557

\* cited by examiner

*Primary Examiner* — Stella Reid

*Assistant Examiner* — Elizabeth J Oswecki

(74) *Attorney, Agent, or Firm* — David V. Upite; Larry L. Huston; Leonard W. Lewis

(57) **CLAIM**

The ornamental design for a container, as shown and described.

**DESCRIPTION**

FIG. 1 is an isometric view of a container showing our new design;

FIG. 2 is a left view thereof;

FIG. 3 is a right view thereof;

FIG. 4 is a front view thereof;

FIG. 5 is a back view thereof;

FIG. 6 is an enlarged top view thereof; and,

FIG. 7 is an enlarged bottom view thereof.

The broken line showing of a container is included for the purpose of illustrating only and forms no part of the claimed design.

In the drawings, the broken lines in FIG. 7 depict portions of the design that form not part of the claim.

**1 Claim, 7 Drawing Sheets**

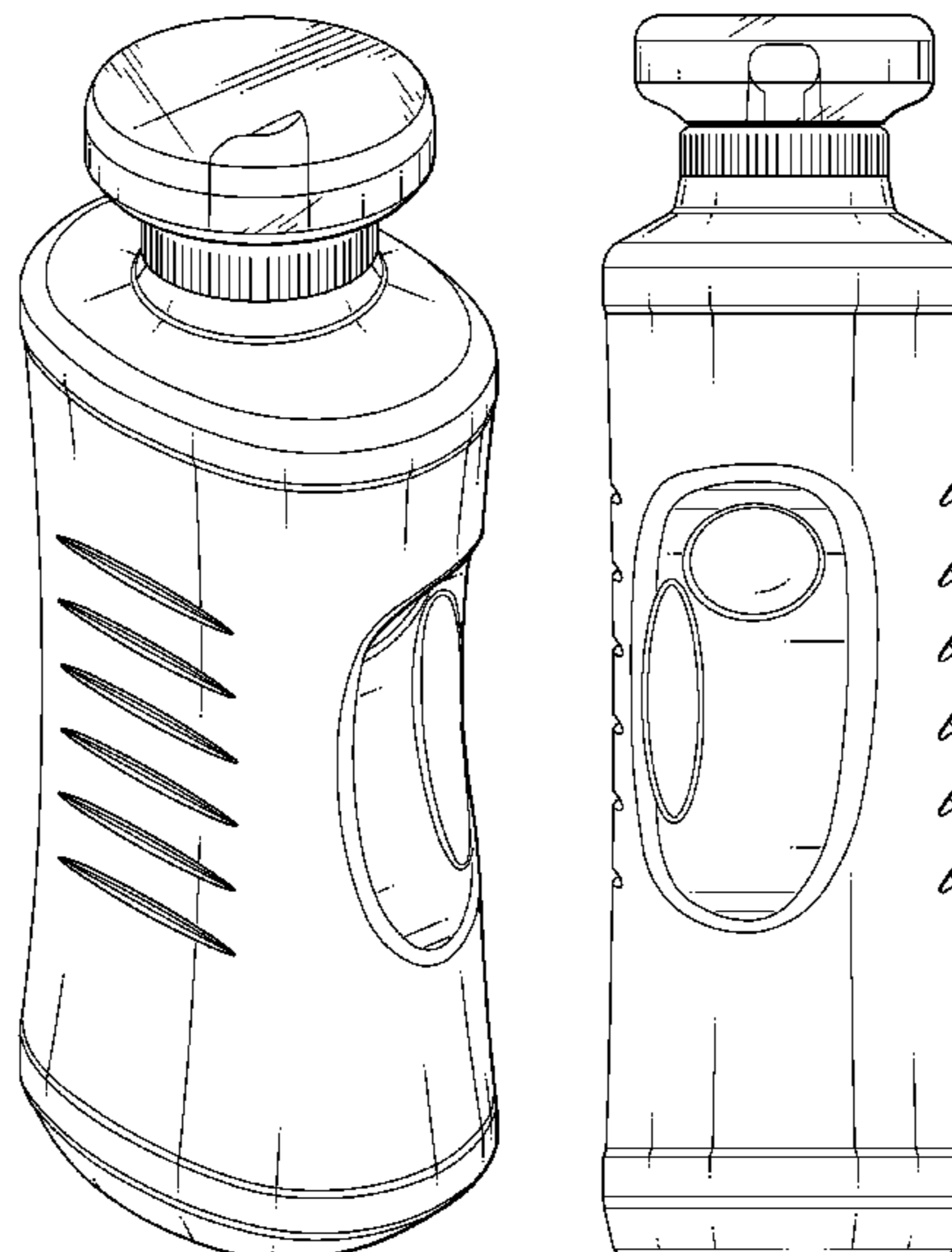


FIG. 1

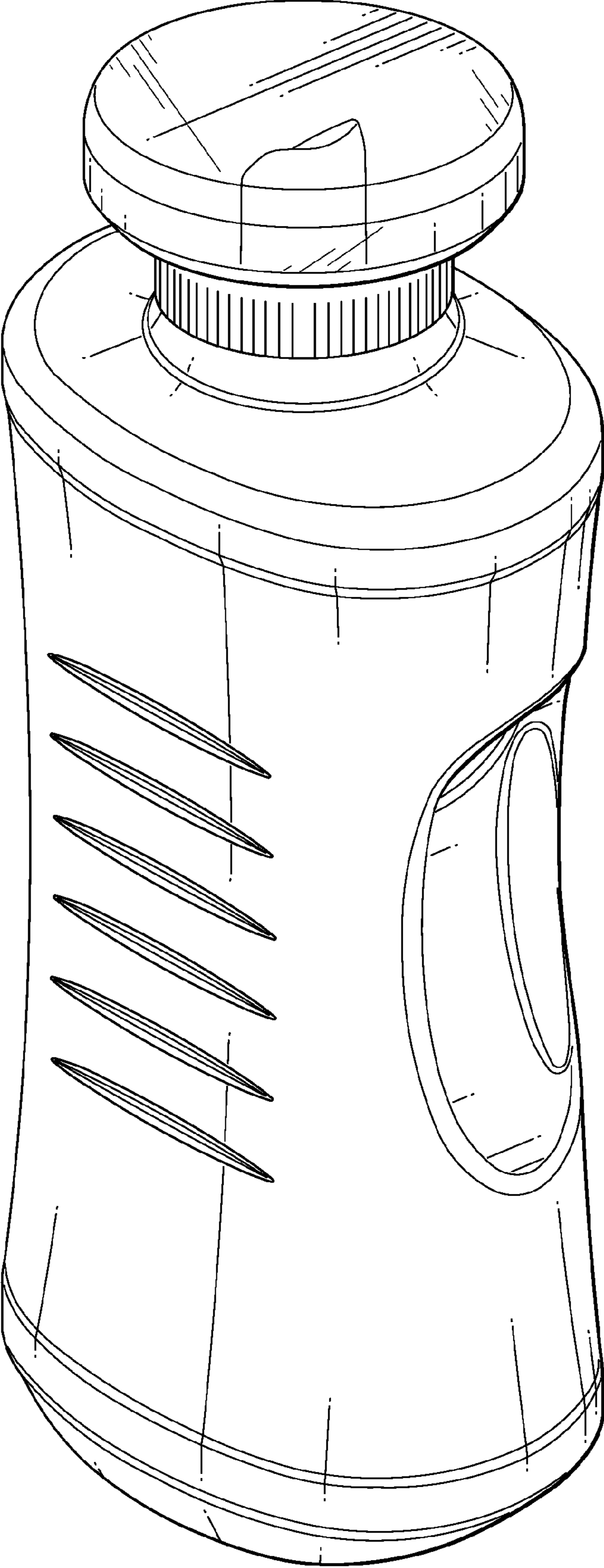


FIG. 2

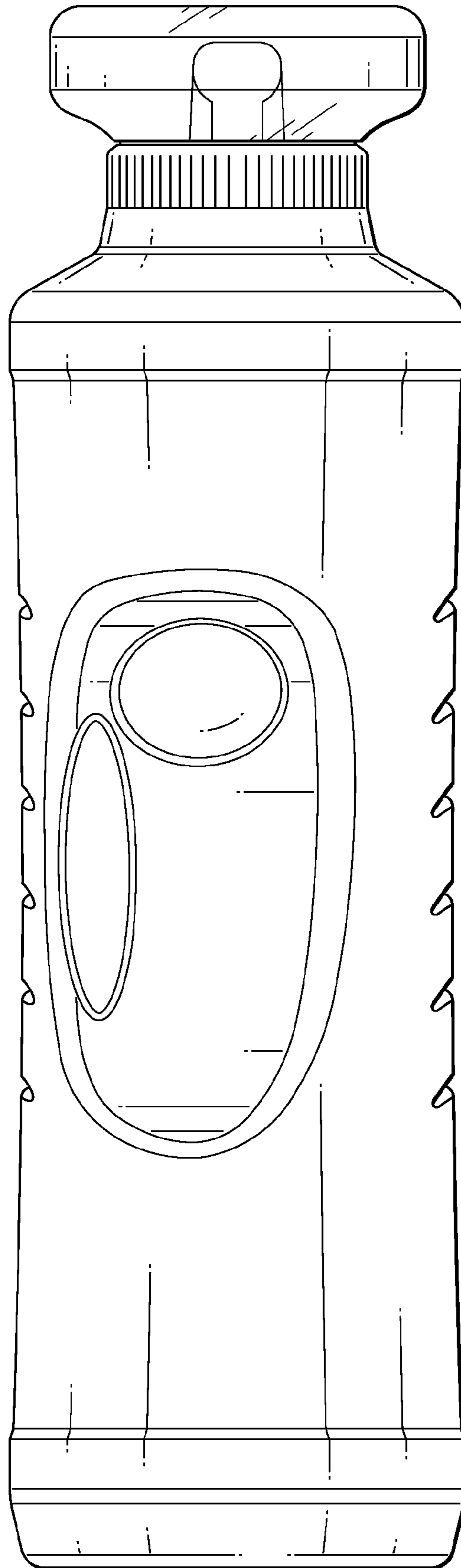


FIG. 3

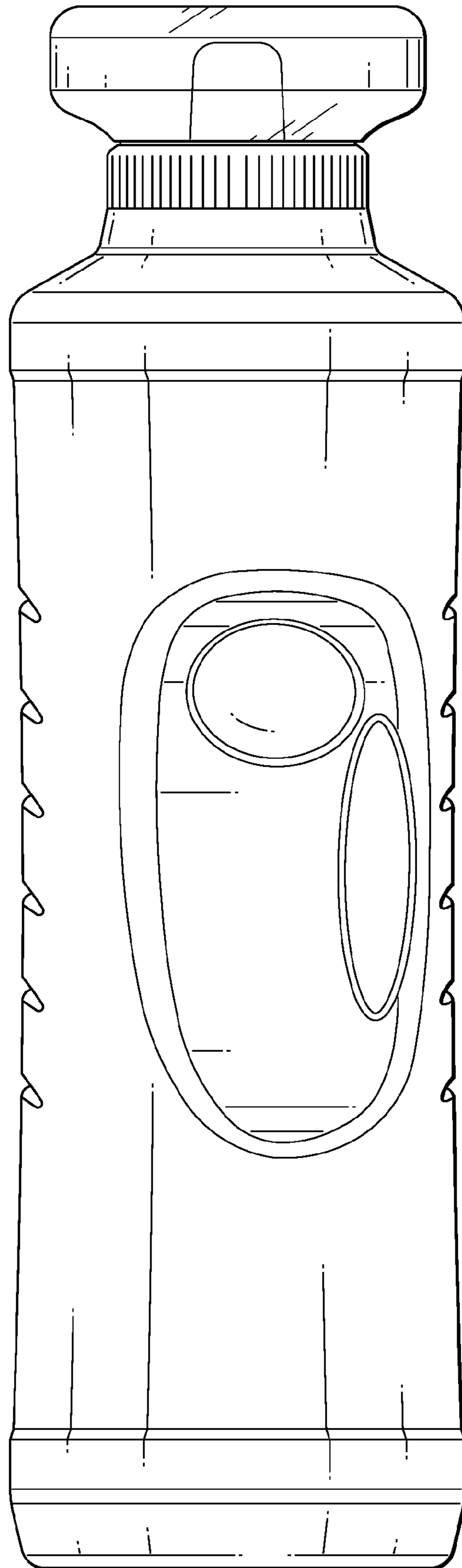


FIG. 4

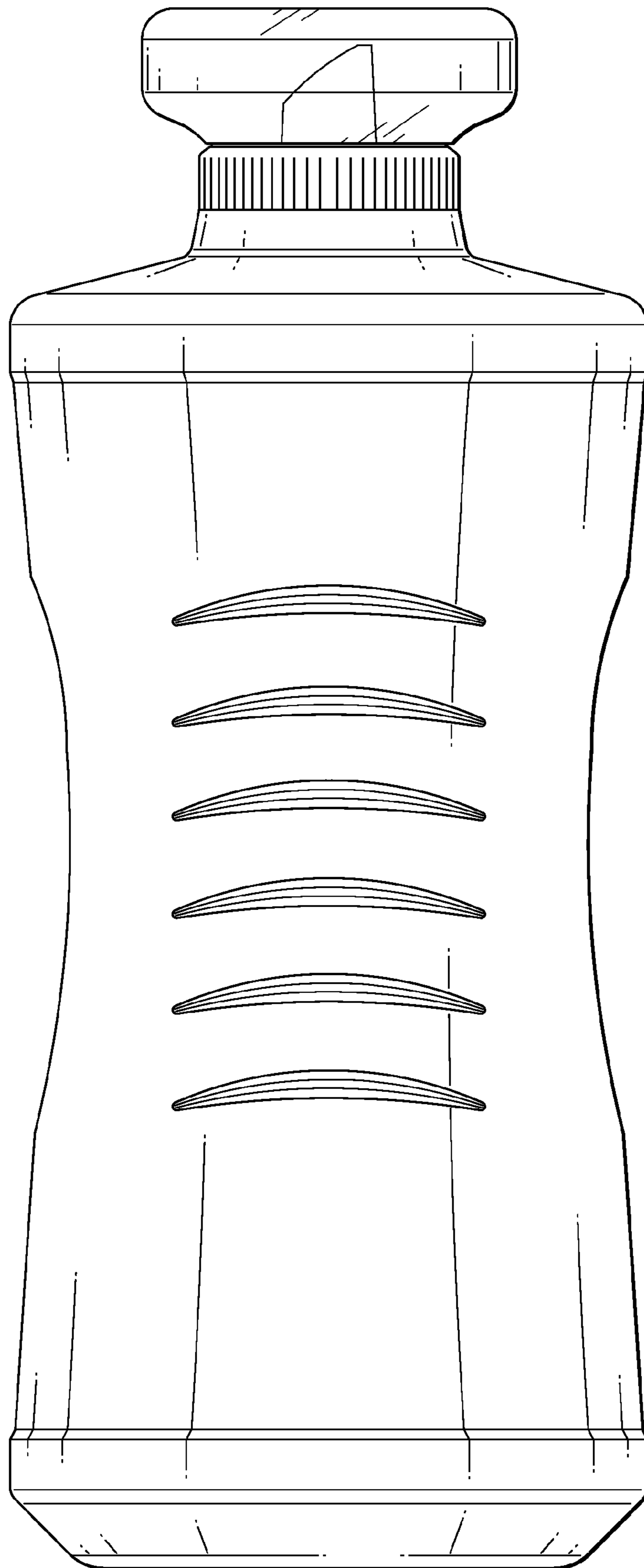
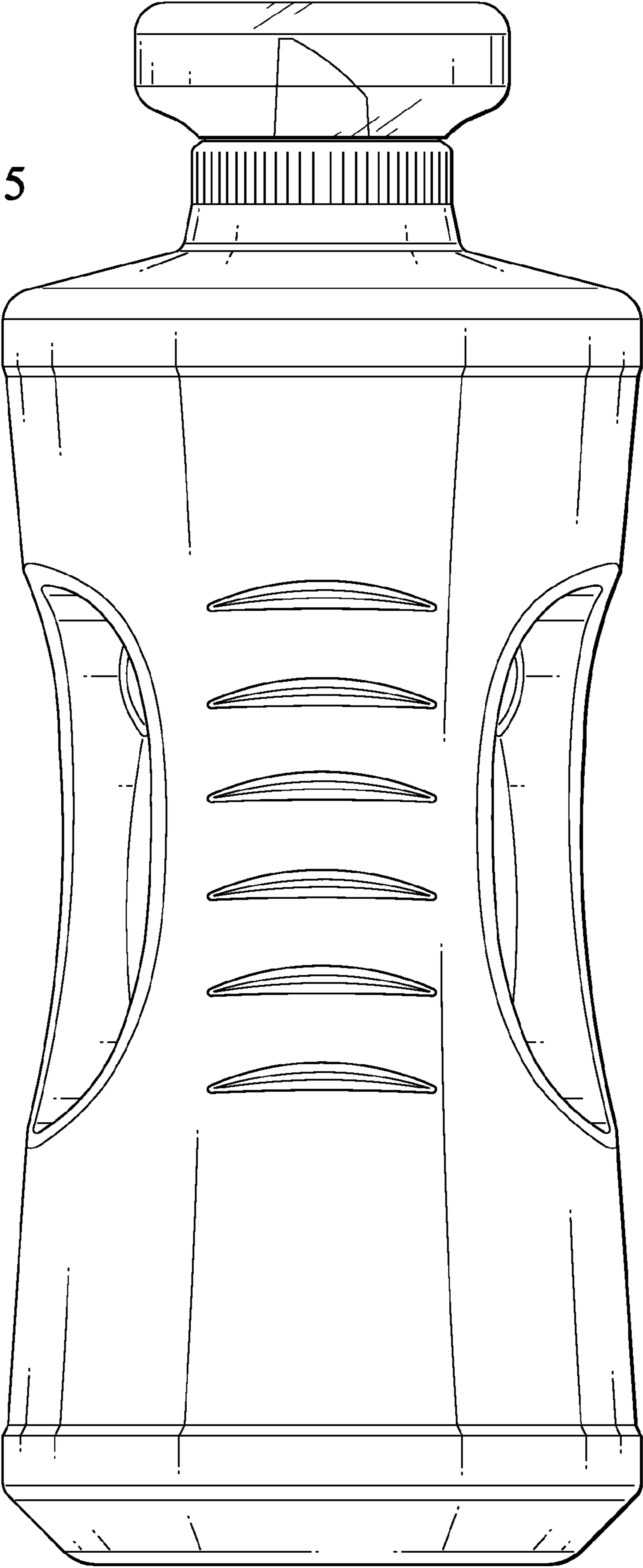


FIG. 5



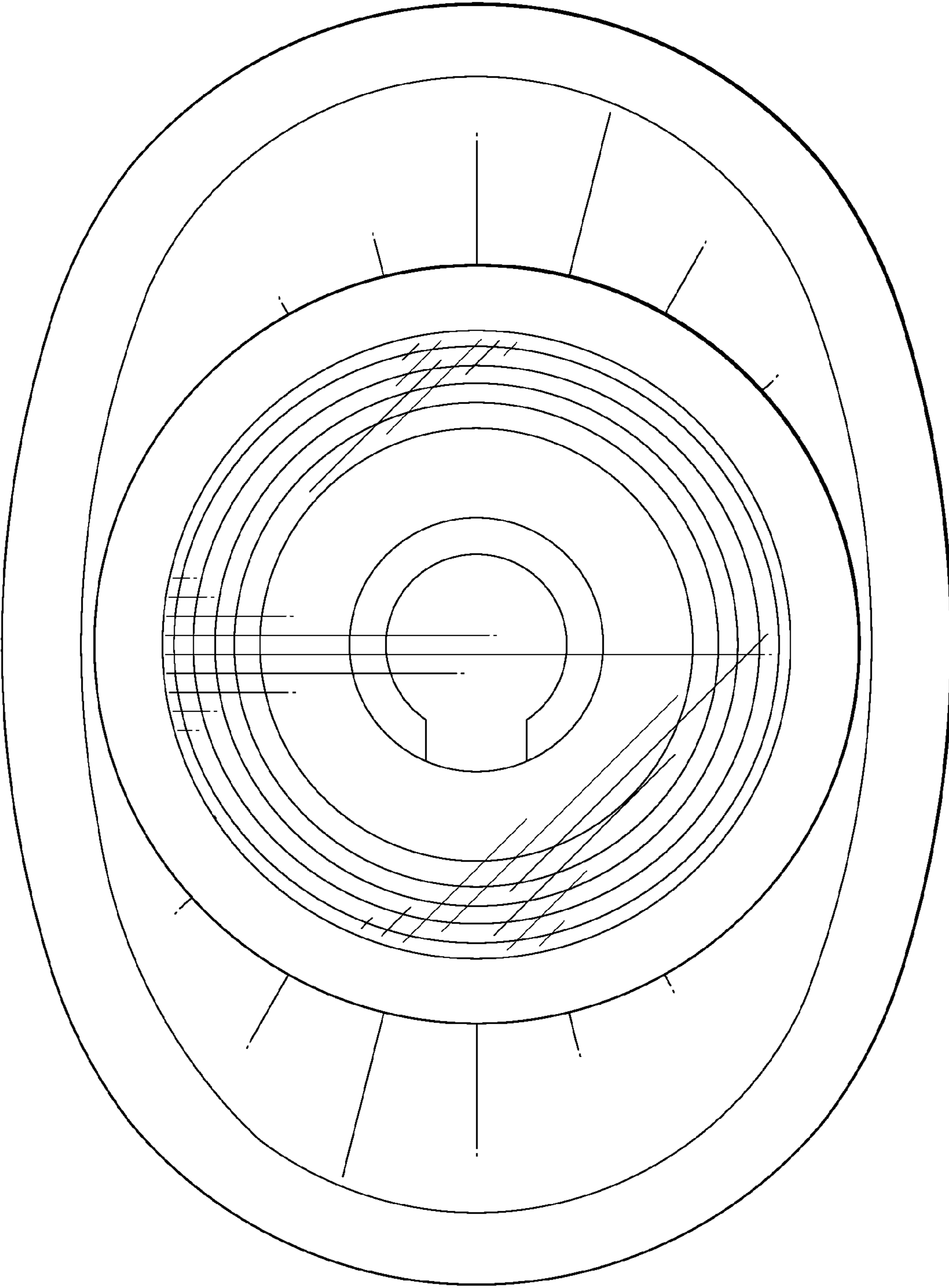


FIG. 6

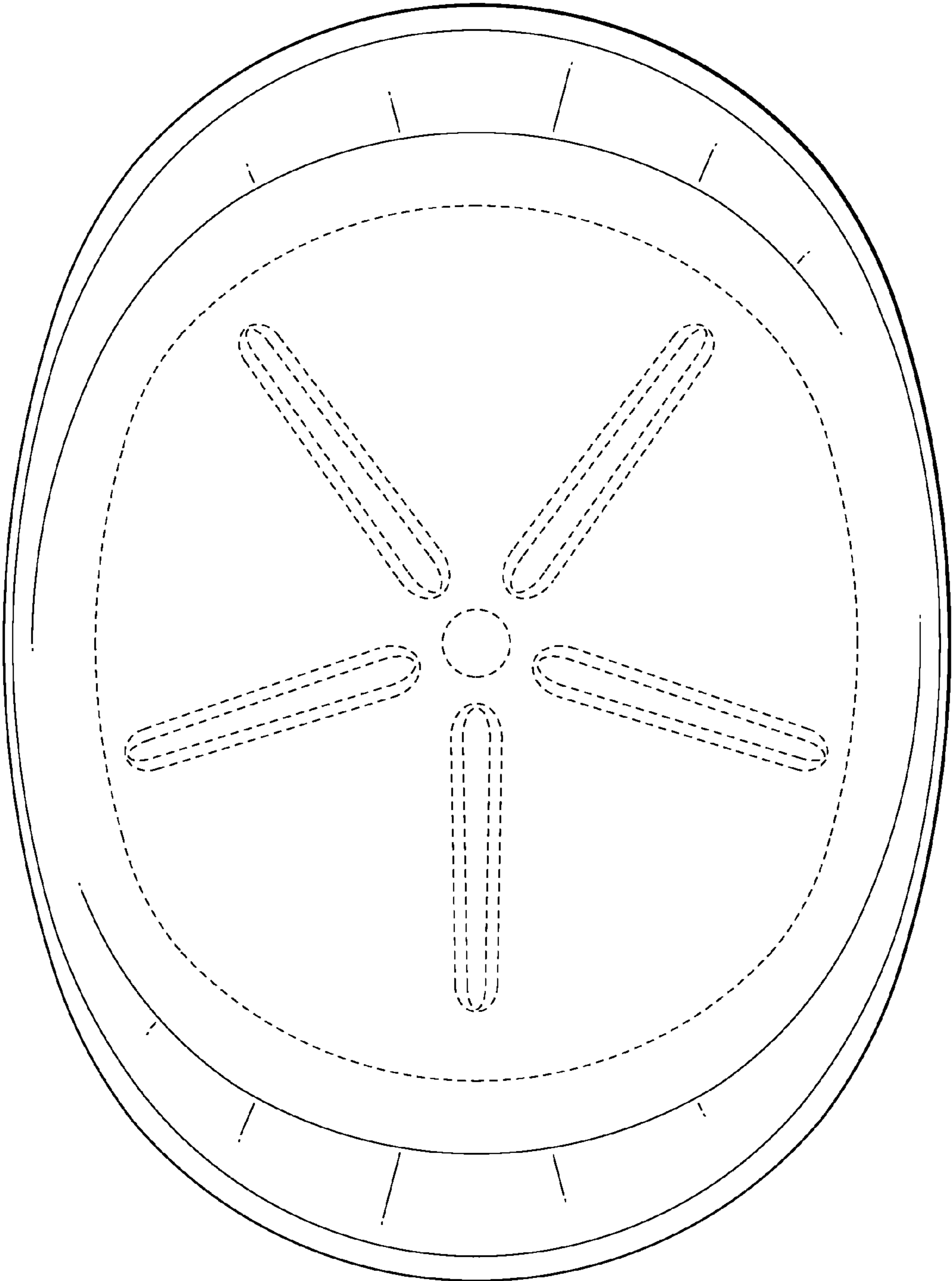


FIG. 7