



US00D643722S

(12) **United States Design Patent**
Gorskey et al.

(10) **Patent No.:** **US D643,722 S**

(45) **Date of Patent:** **** *Aug. 23, 2011**

- (54) **POUR AND SEAL ASSEMBLY**
- (75) Inventors: **Corinne Gorskey**, Woodridge, IL (US);
David Starr, Woodridge, IL (US); **Paul Christman**, Woodridge, IL (US);
Melanie Conklin, Woodridge, IL (US);
Traci Chapple, Woodridge, IL (US);
Jeff Chiu, Woodridge, IL (US); **Mason Umholtz**, Woodridge, IL (US)

- 3,282,477 A 11/1966 Henchert
- 3,404,816 A 10/1968 Weber
- 3,407,956 A * 10/1968 Linkletter et al. 215/306
- 3,416,688 A * 12/1968 Fanning 215/306
- 3,434,620 A * 3/1969 Laurizio 220/258.2
- 3,900,122 A 8/1975 Dichter
- 4,290,466 A 9/1981 Villa et al.
- D280,802 S * 10/1985 Cho D9/446
- D335,721 S * 5/1993 Kimball D28/65

(Continued)

- (73) Assignee: **Wilton Industries Inc.**, Woodridge, IL (US)

FOREIGN PATENT DOCUMENTS

DE 93 17 973 U1 6/1994

(Continued)

- (*) Notice: This patent is subject to a terminal disclaimer.

OTHER PUBLICATIONS

- (**) Term: **14 Years**

International Search Report mailed Nov. 30, 2009 in connection with PCT/US 09/040742.

(Continued)

- (21) Appl. No.: **29/338,852**

- (22) Filed: **Jun. 19, 2009**

Primary Examiner — Susan Bennett Hattan

(74) *Attorney, Agent, or Firm* — Foley & Lardner LLP

Related U.S. Application Data

- (63) Continuation-in-part of application No. 12/369,951, filed on Feb. 12, 2009.

(57) **CLAIM**

We claim the ornamental design for a pour and seal assembly, as shown and described.

- (51) **LOC (9) Cl.** **09-07**

- (52) **U.S. Cl.** **D9/446; D9/439; D9/443; D9/454**

- (58) **Field of Classification Search** D9/454, D9/449, 447, 443, 438, 435, 428, 446; D7/608, D7/510, 396.2, 392.1, 392; 229/906.1; 220/713, 220/712, 711, 270, 254.1–254.9, 258.2, 375; 215/306; D3/264

DESCRIPTION

See application file for complete search history.

FIG. 1 is a bottom perspective view of a pour and seal assembly;

FIG. 2 is a bottom view of the pour and seal assembly shown in FIG. 1;

FIG. 3 is a side view of the pour and seal assembly shown in FIG. 1; and,

FIG. 4 is a front view in closed position of the pour and seal assembly shown in FIG. 1.

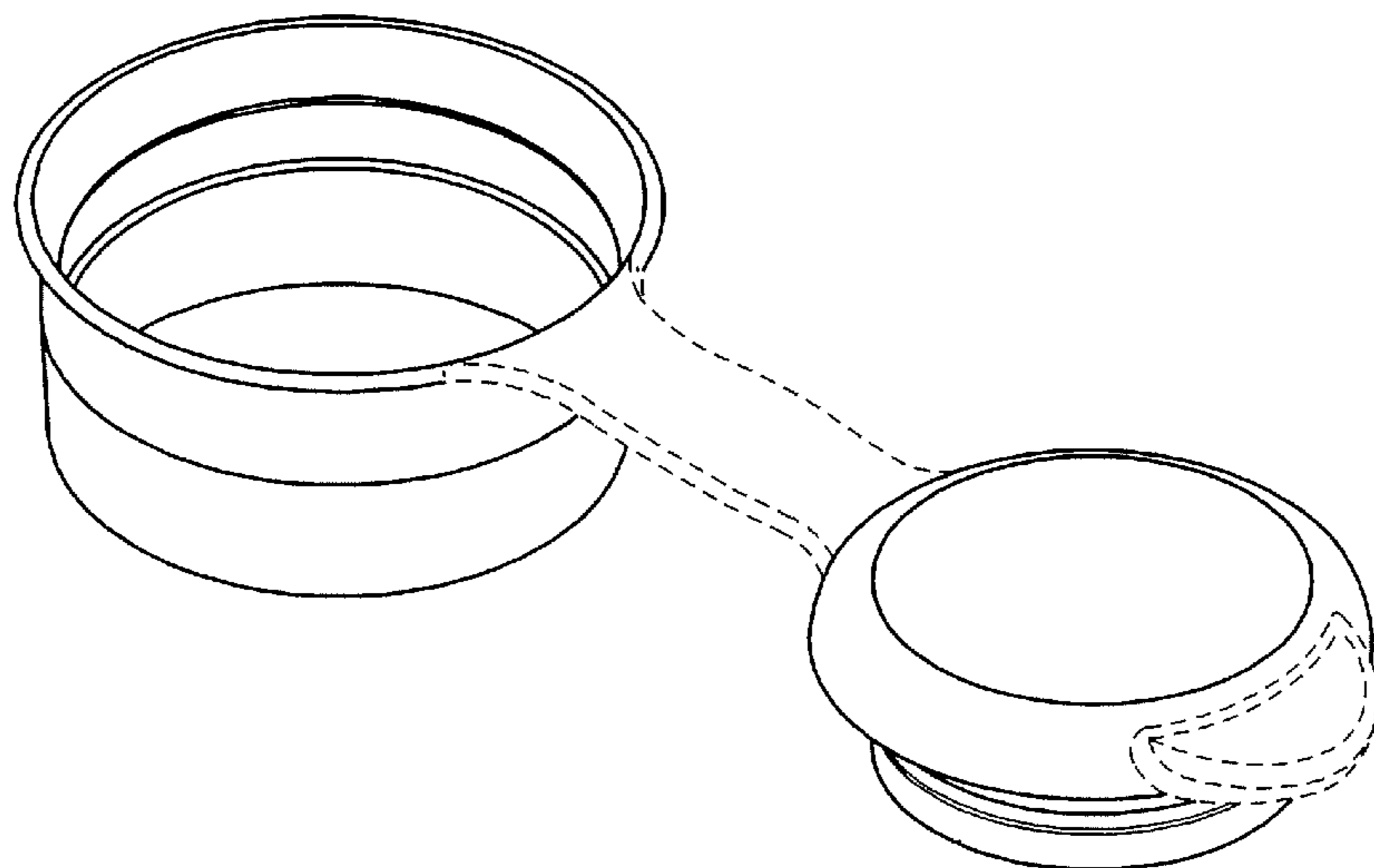
The subject matter shown in dashed lines, and any surfaces of the design not shown, including interior surfaces, form no part of the claimed design.

- (56) **References Cited**

U.S. PATENT DOCUMENTS

- 2,814,405 A 11/1957 Edwards
- D188,393 S * 7/1960 Fagan D3/264
- D193,121 S * 6/1962 Wickman D9/446
- 3,145,872 A * 8/1964 Hayes 220/375
- 3,235,117 A 2/1966 Mason

1 Claim, 4 Drawing Sheets



US D643,722 S

Page 2

U.S. PATENT DOCUMENTS

5,271,519 A 12/1993 Adams
D353,328 S * 12/1994 Nuffer D9/446
D359,234 S * 6/1995 Amin D9/428
D364,810 S * 12/1995 Meisner D9/446
5,593,054 A 1/1997 Glynn
5,725,121 A 3/1998 Gianpaolo
D404,646 S * 1/1999 Black et al. D9/446
D409,043 S * 5/1999 Lillelund et al. D7/392
D411,106 S * 6/1999 Conrad D9/436
6,000,848 A * 12/1999 Massioui 383/80
D471,356 S * 3/2003 Eaton D3/264
D475,923 S * 6/2003 Renz D9/446
D487,227 S * 3/2004 Haley D9/439
D530,200 S * 10/2006 Kingsley D9/446
7,472,797 B2 * 1/2009 Ostrowski 215/306
D613,599 S * 4/2010 Khubani D9/446

D623,943 S * 9/2010 Weld D9/454
2004/0124210 A1 7/2004 Bartlein
2005/0184026 A1 8/2005 Haley

FOREIGN PATENT DOCUMENTS

JP 2002-503600 A 2/2002
JP 2002-128105 A 5/2002
JP 2002-362588 A 12/2002
JP 2007-320577 A 12/2007
KR 20-0400057 Y1 11/2005

OTHER PUBLICATIONS

Written Opinion of the International Searching Authority mailed
Nov. 30, 2009 in connection with PCT/US 09/040742.
European Search Report and Written Opinion completed Jan. 13,
2010 in connection with EP Application No. EP 09 15 8006.

* cited by examiner

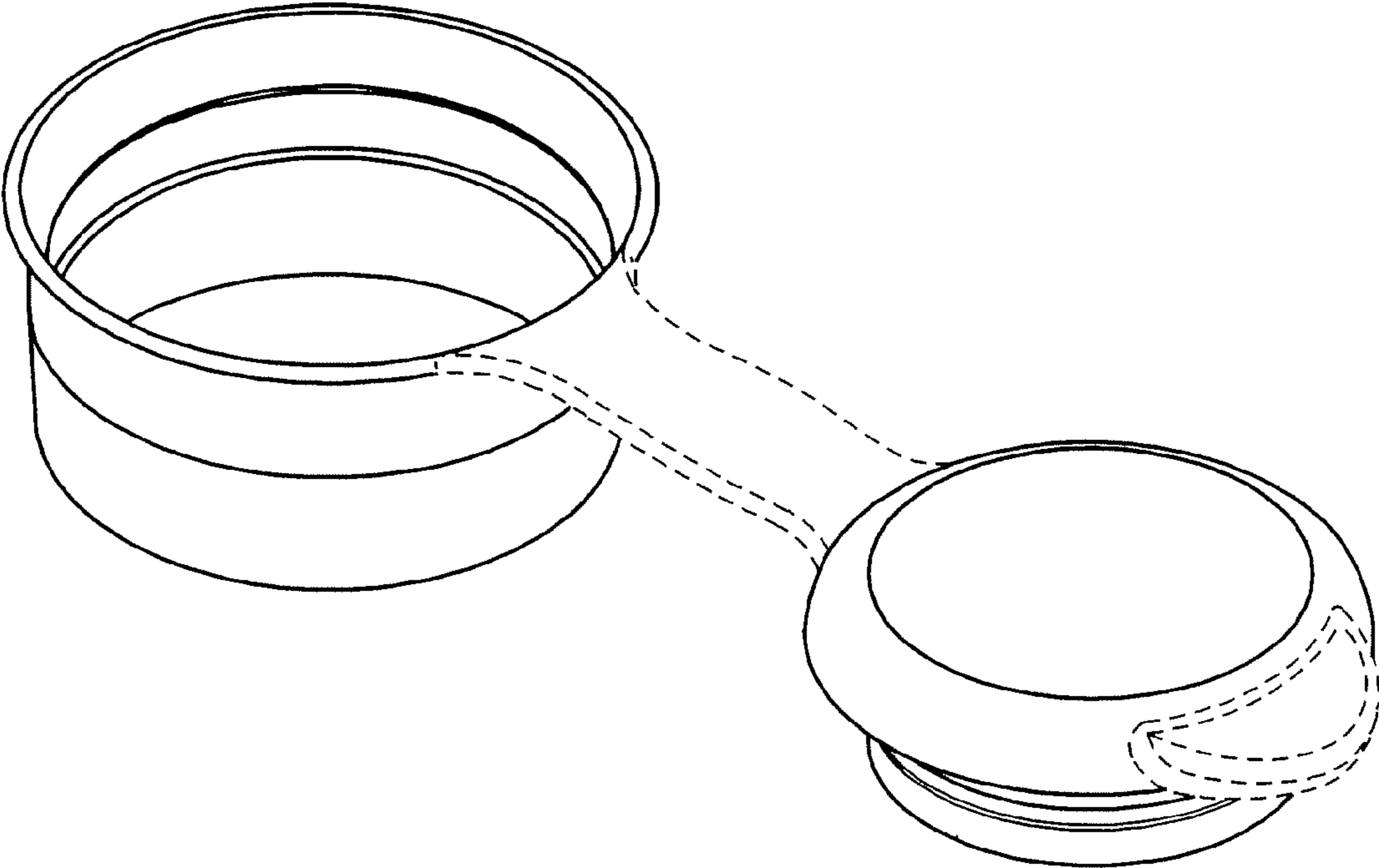


FIG. 1

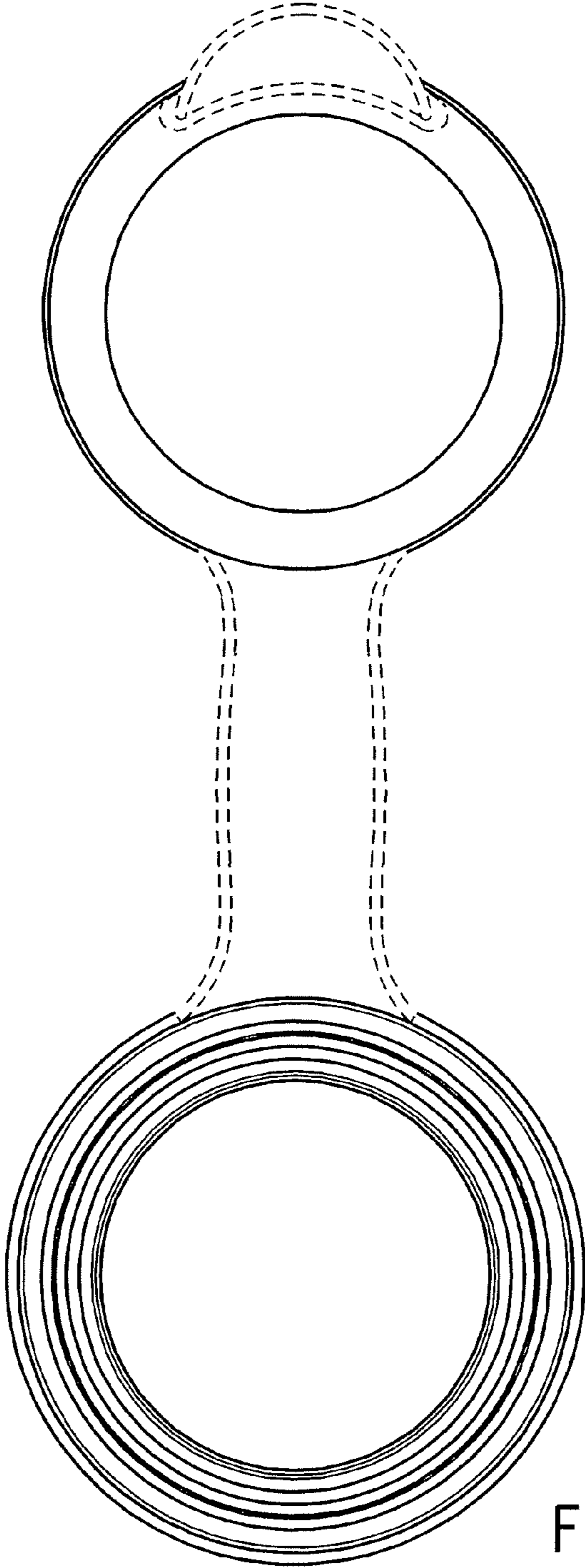


FIG. 2

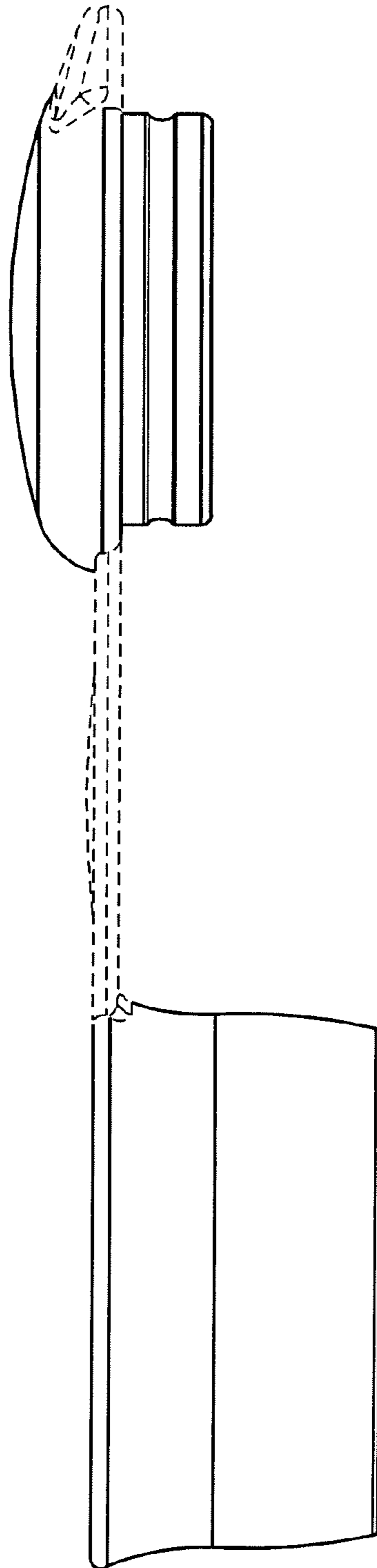


FIG. 3

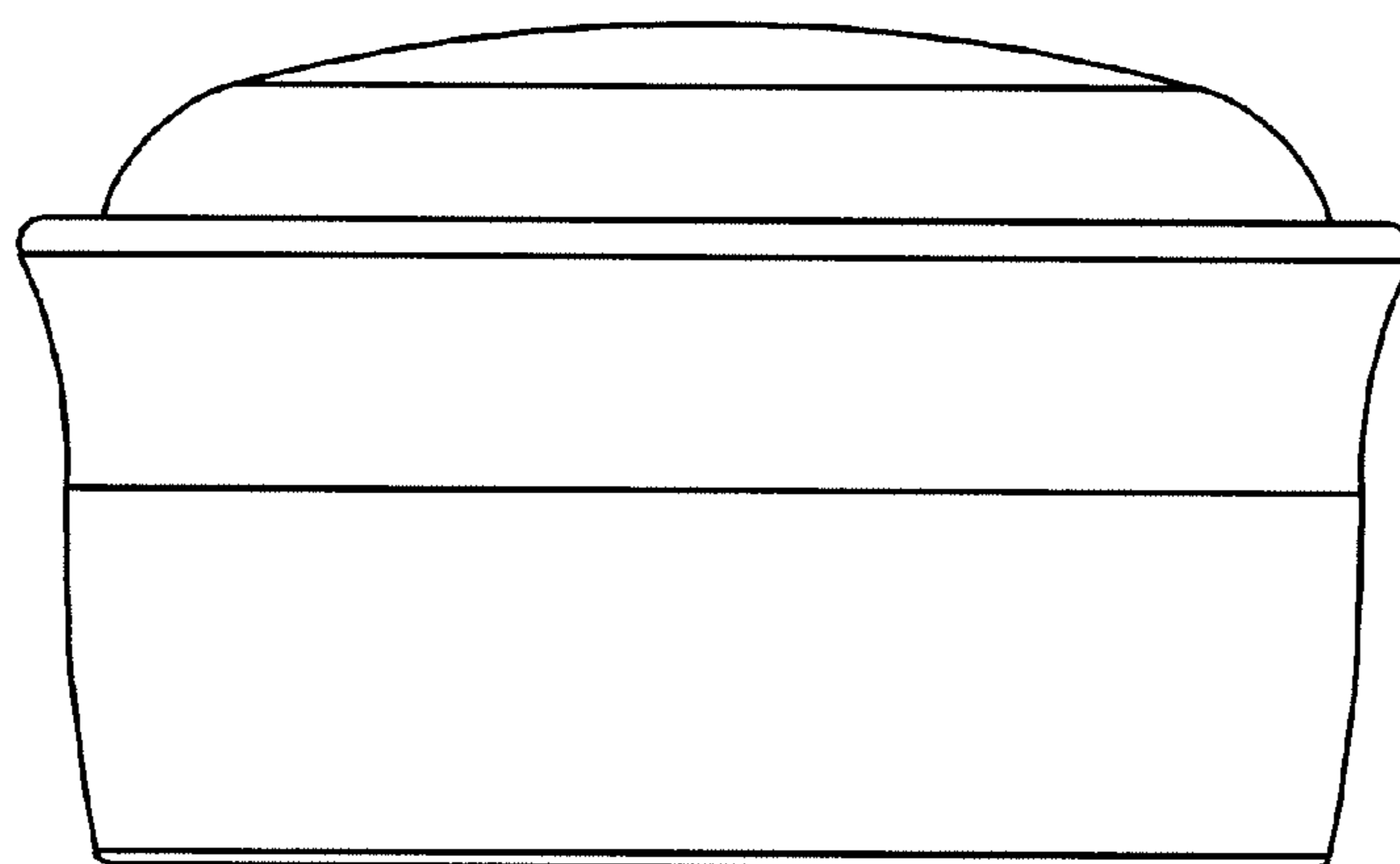


FIG. 4