



US00D643721S

(12) **United States Design Patent**
Blinn

(10) **Patent No.:** **US D643,721 S**

(45) **Date of Patent:** **** Aug. 23, 2011**

(54) **POUR SPOUT**

(75) Inventor: **Edward P. Blinn**, Manhattan Beach, CA
(US)

(73) Assignee: **The Patron Spirits Company**, Las
Vegas, NV (US)

(**) Term: **14 Years**

(21) Appl. No.: **29/352,616**

(22) Filed: **Dec. 23, 2009**

(51) **LOC (9) Cl.** **09-07**

(52) **U.S. Cl.** **D9/440**

(58) **Field of Classification Search** D9/656,
D9/635, 565, 454, 452, 451, 447, 446, 441,
D9/440, 439, 435; D7/399, 396, 396.5, 395,
D7/393, 392.1, 387, 321, 300.2; D24/130,
D24/129; D21/713; 222/529, 478, 153.06;
220/825, 276, 254.8, 254.4; 215/364, 356,
215/355, 230

See application file for complete search history.

(56) **References Cited**

U.S. PATENT DOCUMENTS

523,918	A	7/1894	Palmer	
963,222	A *	7/1910	Hedlund	222/478
1,436,708	A	11/1922	Goebel	
1,494,742	A *	5/1924	Hills	30/141
2,164,315	A	7/1939	Edwards	
D169,462	S	4/1953	Voight	
D171,280	S *	1/1954	Juengling	D9/452
D171,388	S	2/1954	Du Pree et al.	
2,727,644	A	12/1955	Giannos	
3,061,151	A	10/1962	Clare	
D198,599	S	7/1964	Koukai	
3,422,998	A	1/1969	Murray	
D296,524	S *	7/1988	Schneider	D9/439
5,072,861	A	12/1991	Jou	
5,799,836	A	9/1998	Lee	

6,230,944	B1	5/2001	Castellano et al.	
6,742,678	B1	6/2004	Krystopik, Jr.	
D520,359	S *	5/2006	Sach	D9/439
D617,427	S *	6/2010	McNamara	D23/261
D620,358	S *	7/2010	Jewett et al.	D9/454

OTHER PUBLICATIONS

Photographs of a bottle closure that was on sale more than one year prior to the filing date of the referenced application. The Examiner is invited to contact applicant's attorney should he/she have any questions regarding the photographs.

* cited by examiner

Primary Examiner — Susan Bennett Hattan

(74) *Attorney, Agent, or Firm* — Jeffer Mangels Butler & Mitchell LLP

(57) **CLAIM**

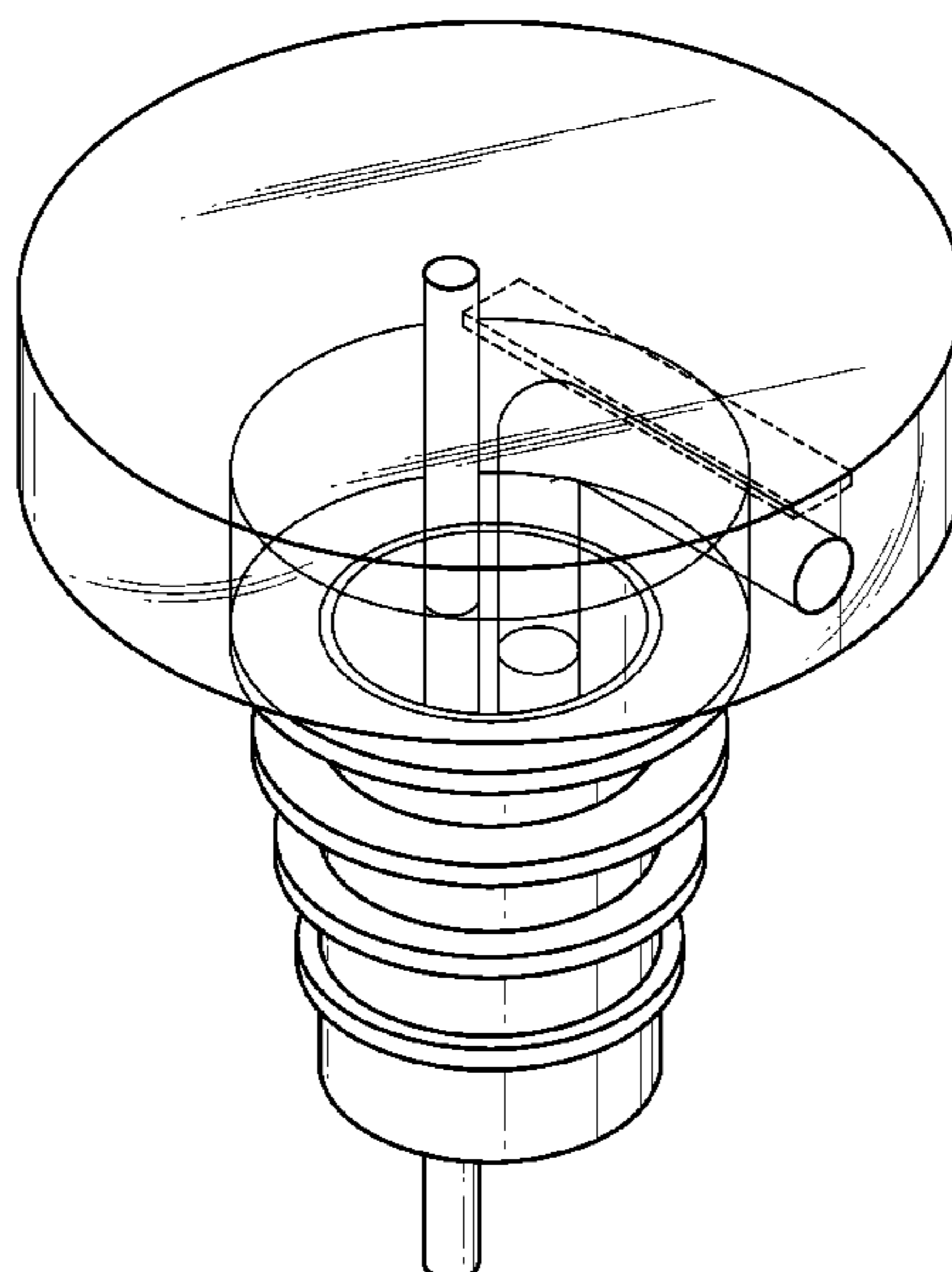
The ornamental design for a pour spout, as shown and described.

DESCRIPTION

FIG. 1 is a top perspective view of the present invention; FIG. 2 is a bottom perspective view of the present invention shown in FIG. 1; FIG. 3 is a front elevational view of the present invention shown in FIG. 1; FIG. 4 is a back elevational view of the present invention shown in FIG. 1; FIG. 5 is a side elevational view of the present invention shown in FIG. 1; FIG. 6 is a top plan view of the present invention shown in FIG. 1; and, FIG. 7 is a bottom plan view of the present invention shown in FIG. 1.

The broken lines in the drawings depict environmental subject matter only and form no part of the claimed design.

1 Claim, 6 Drawing Sheets



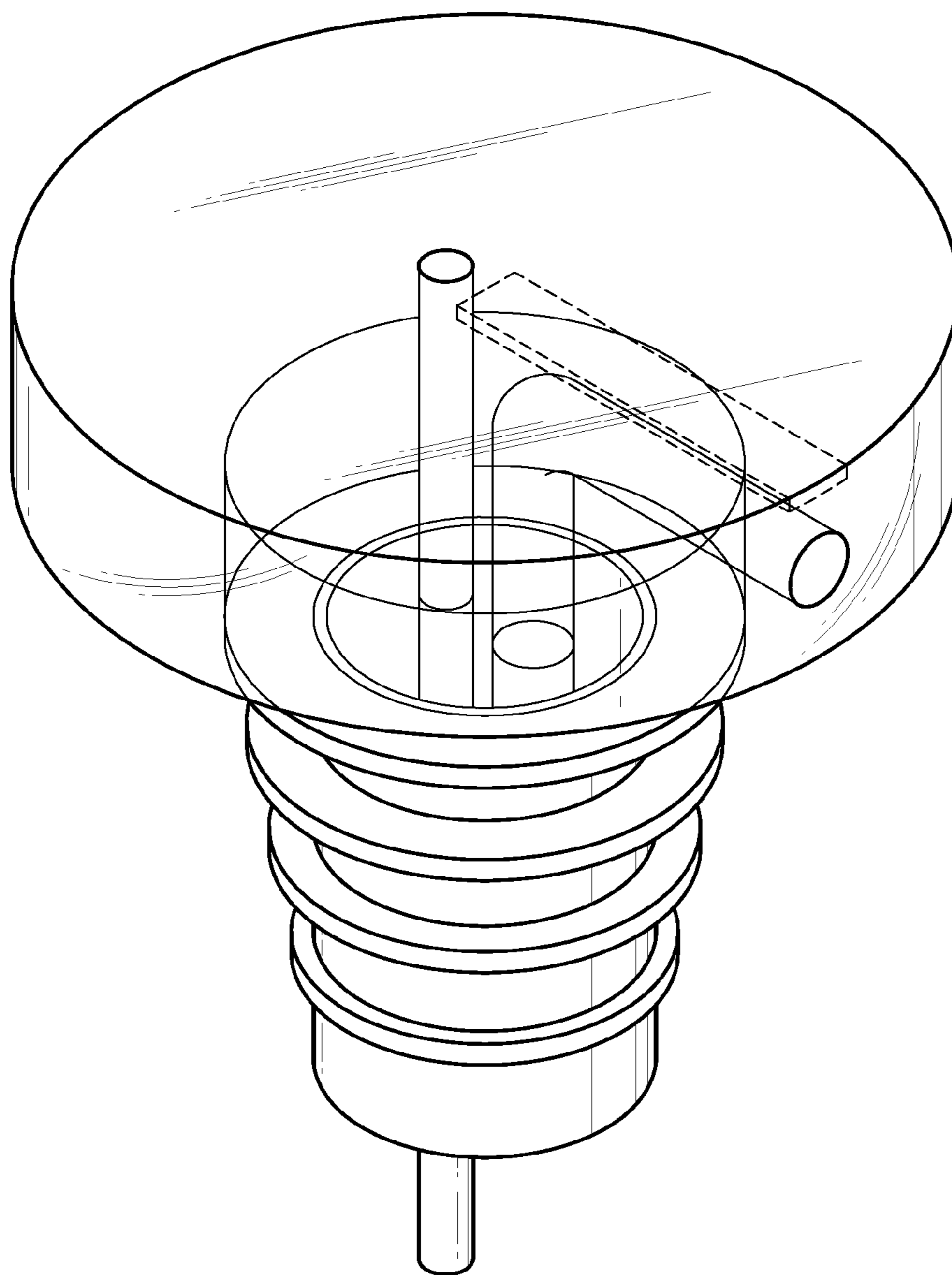


FIG. 1

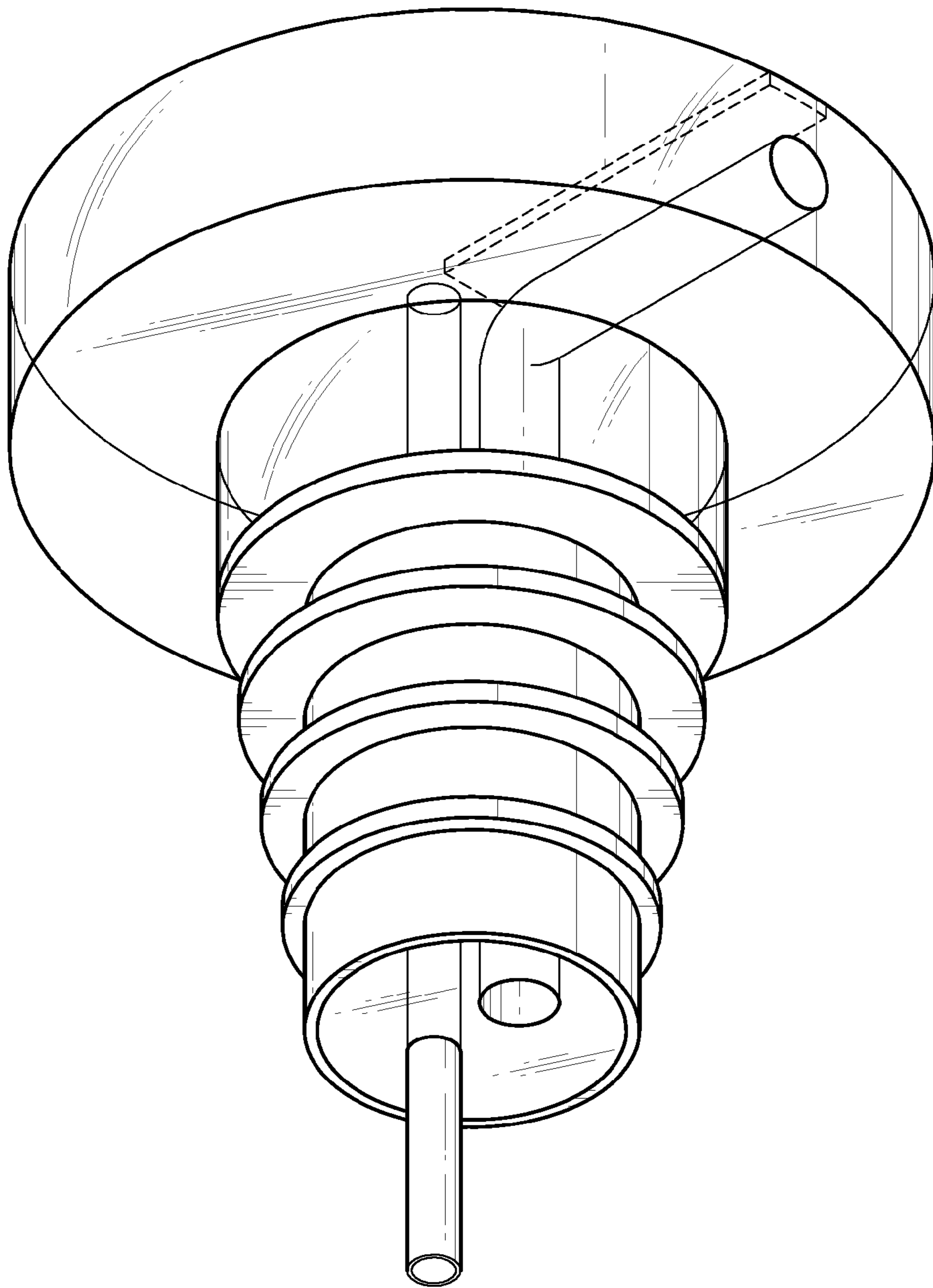


FIG. 2

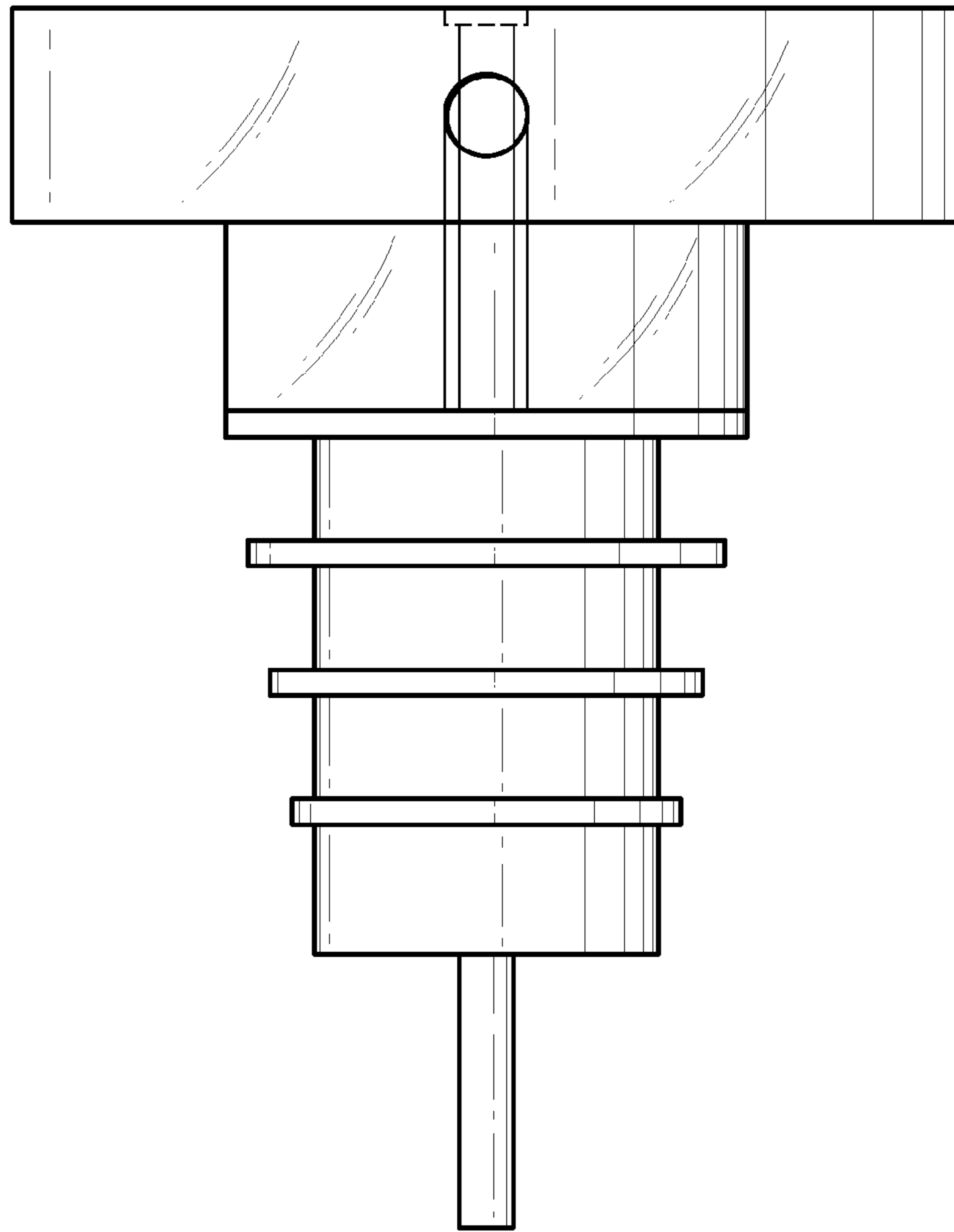


FIG. 3

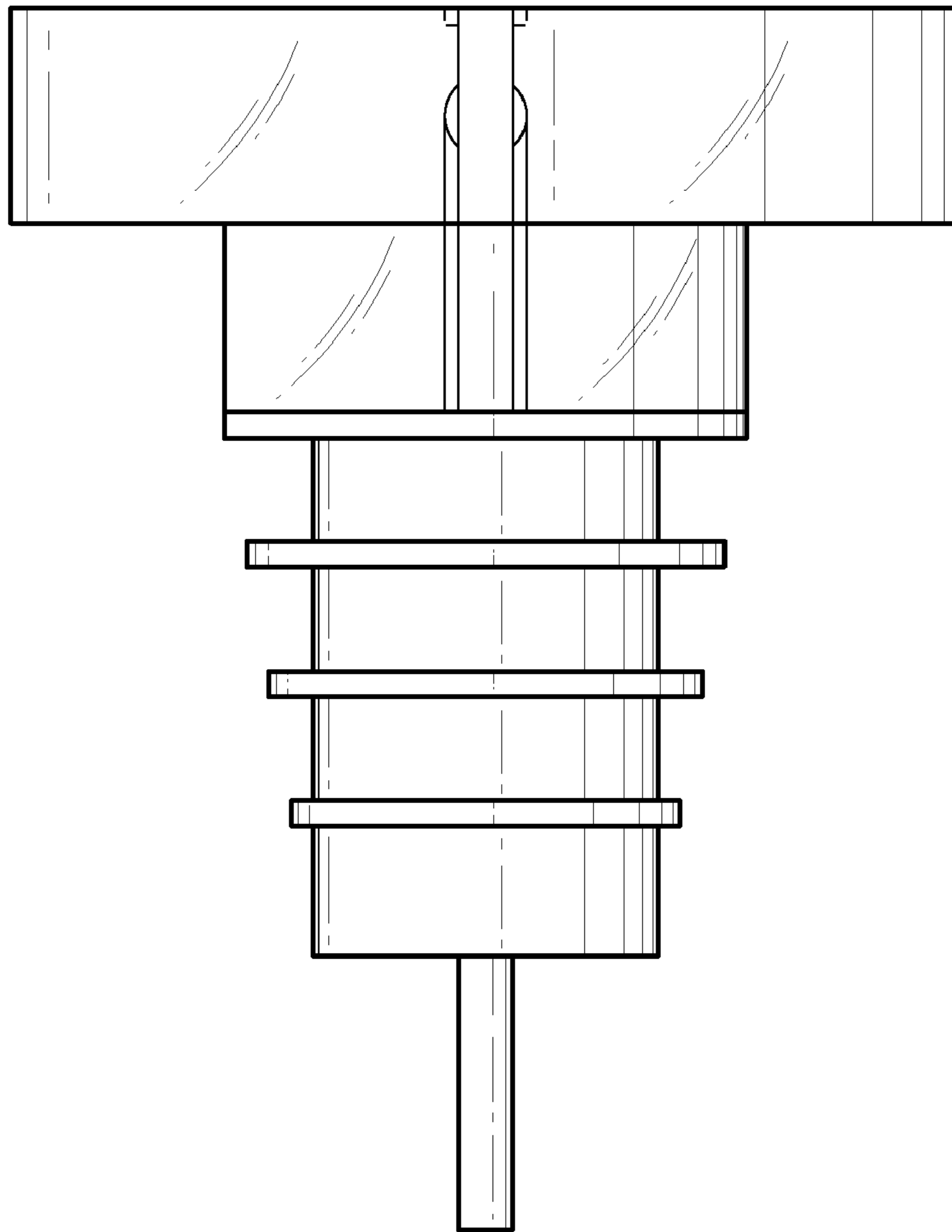


FIG. 4

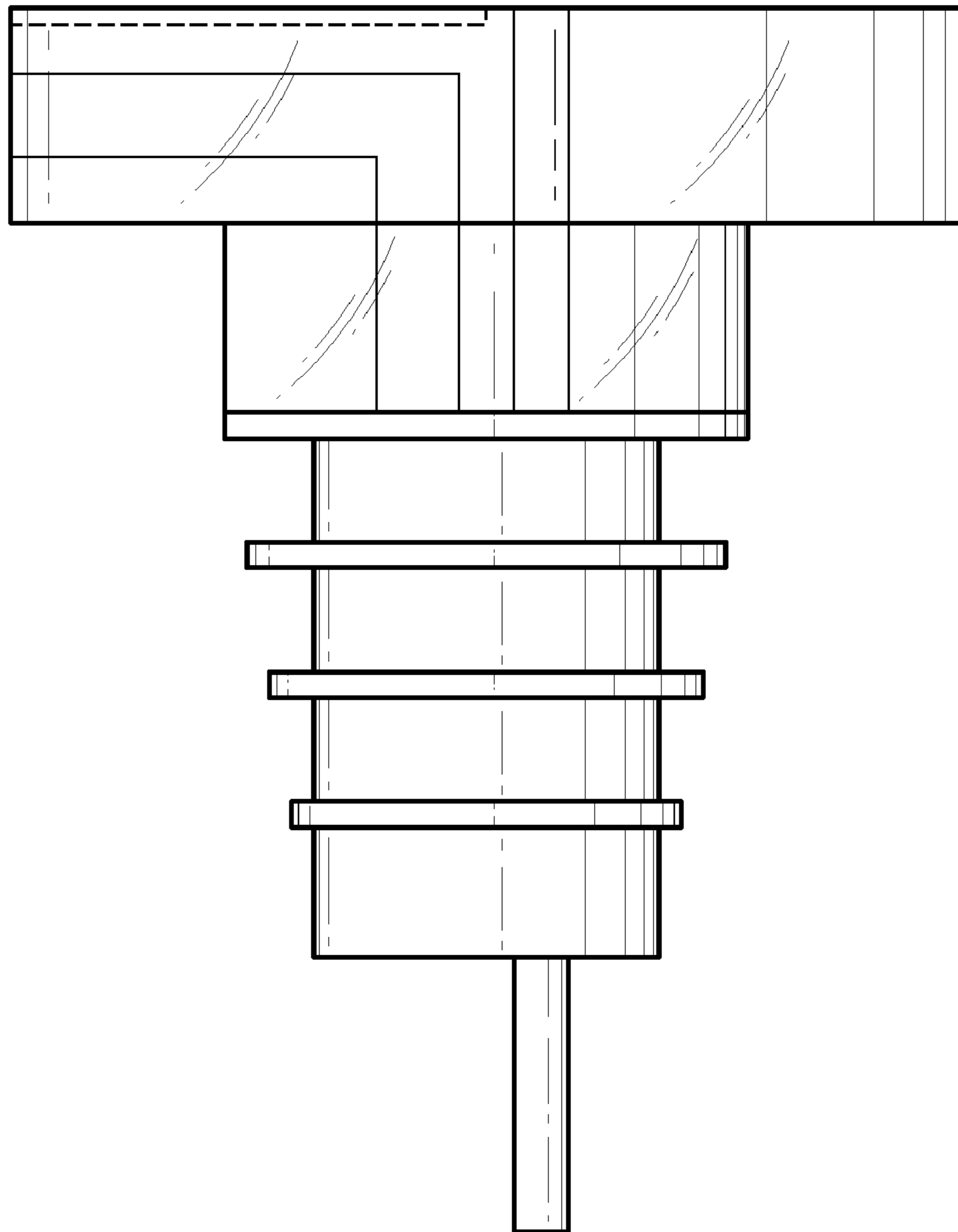


FIG. 5

FIG. 6

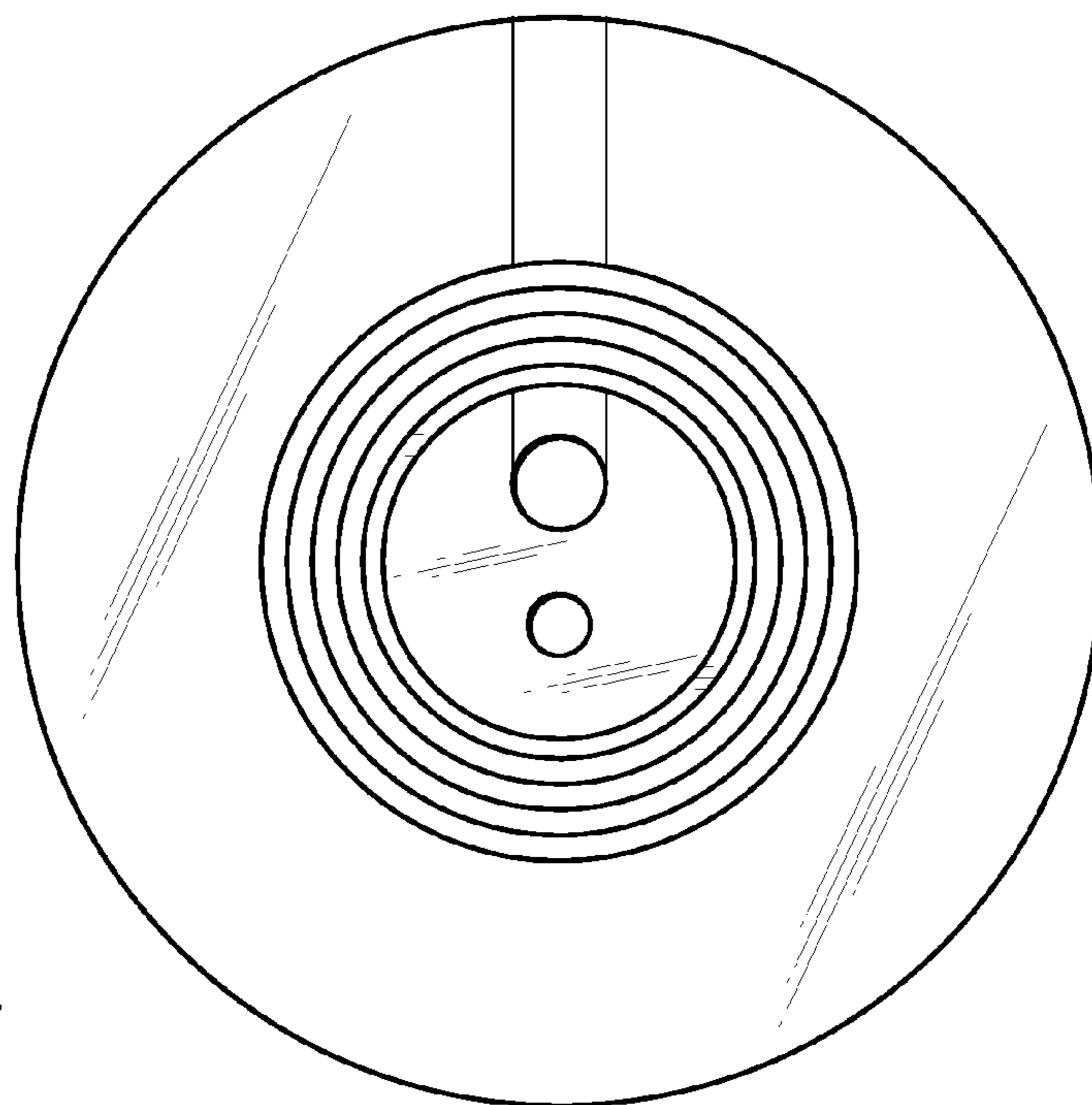
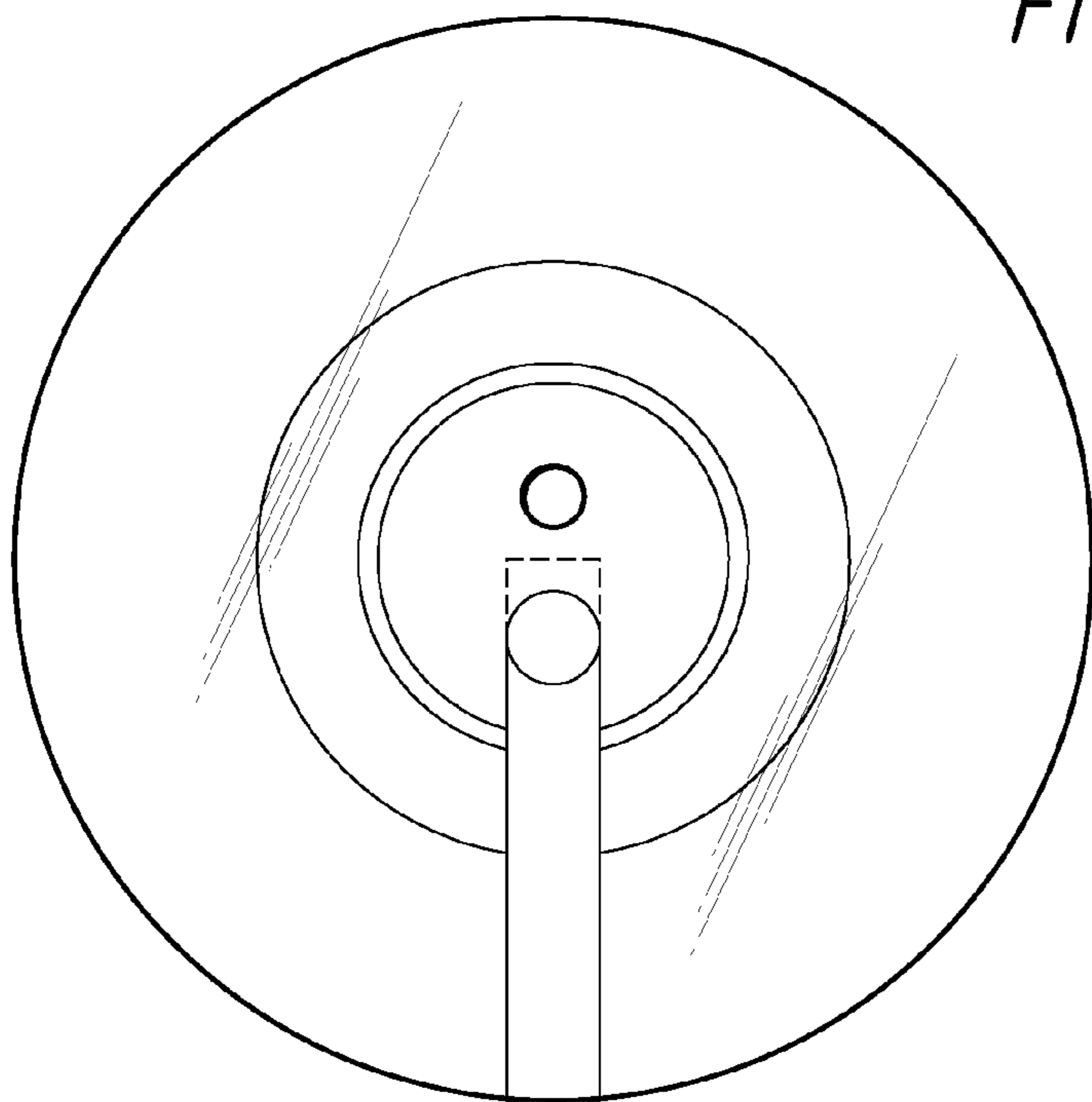


FIG. 7