



US00D643720S

(12) **United States Design Patent**
Maeda et al.

(10) **Patent No.:** **US D643,720 S**

(45) **Date of Patent:** **** Aug. 23, 2011**

(54) **RUBBER STOPPER FOR VIAL**

(75) Inventors: **Katsushi Maeda**, Kobe (JP); **Eiji Yao**,
Kobe (JP)

(73) Assignee: **Sumitomo Rubber Industries, Ltd.**,
Kobe (JP)

(**) Term: **14 Years**

(21) Appl. No.: **29/376,816**

(22) Filed: **Oct. 12, 2010**

(30) **Foreign Application Priority Data**

Apr. 15, 2010 (JP) 2010-009534
Apr. 15, 2010 (JP) 2010-009535

(51) **LOC (9) Cl.** **09-07**

(52) **U.S. Cl.** **D9/439**

(58) **Field of Classification Search** D9/656,
D9/635, 565, 454, 452, 451, 447, 446, 441,
D9/440, 439, 435; D7/399, 396, 396.5, 395,
D7/393, 392.1, 387, 321, 300.2; D24/130,
D24/129; D21/713; 222/529, 478, 153.06;
220/825, 276, 254.8, 254.4; 215/364, 356,
215/355, 230

See application file for complete search history.

(56) **References Cited**

U.S. PATENT DOCUMENTS

2,848,130 A * 8/1958 Jesnig 215/45
3,136,440 A * 6/1964 Krug et al. 215/247
D241,018 S * 8/1976 De Amico D9/439
D242,128 S * 11/1976 Chase D9/447
D259,704 S * 6/1981 Castronovo D9/447
D289,796 S * 5/1987 Larkin D24/224
D301,117 S * 5/1989 Baxter D9/439
D350,481 S * 9/1994 DeLury D9/436
D422,357 S * 4/2000 Niedospial et al. D24/129
D462,803 S * 9/2002 Meoli D27/135
D528,417 S * 9/2006 Matsuda et al. D9/439
2007/0272650 A1 * 11/2007 Kishi et al. 215/364

FOREIGN PATENT DOCUMENTS

JP 459684 10/1977
JP 681096 6/1986
JP 747164 10/1988
JP 63-296756 A 12/1988
JP 11-047234 A 2/1999
JP 1066095 4/2000
JP 1066096 4/2000
JP 1133929 2/2002

* cited by examiner

Primary Examiner — Susan Bennett Hattan

(74) *Attorney, Agent, or Firm* — Birch, Stewart, Kolasch &
Birch, LLP

(57) **CLAIM**

The ornamental design for a rubber stopper for vial, as shown
and described.

DESCRIPTION

FIG. 1 is a front view of a first embodiment of a rubber stopper for vial showing my new design;

FIG. 2 is a top view thereof;

FIG. 3 is a bottom view thereof;

FIG. 4 is a left side view thereof;

FIG. 5 is a perspective view thereof; and

FIG. 6 is a cross-sectional view thereof.

The rear view is the same as the front view and the right side view is the same as the left side view. The broken lines immediately adjacent to the shaded areas represent the bounds of the claim whereas all other broken lines identify environmental structure, all broken lines forming no part of the claimed design.

FIG. 7 is a front view of a second embodiment of a rubber stopper for vial showing my new design;

FIG. 8 is a top view thereof;

FIG. 9 is a bottom view thereof;

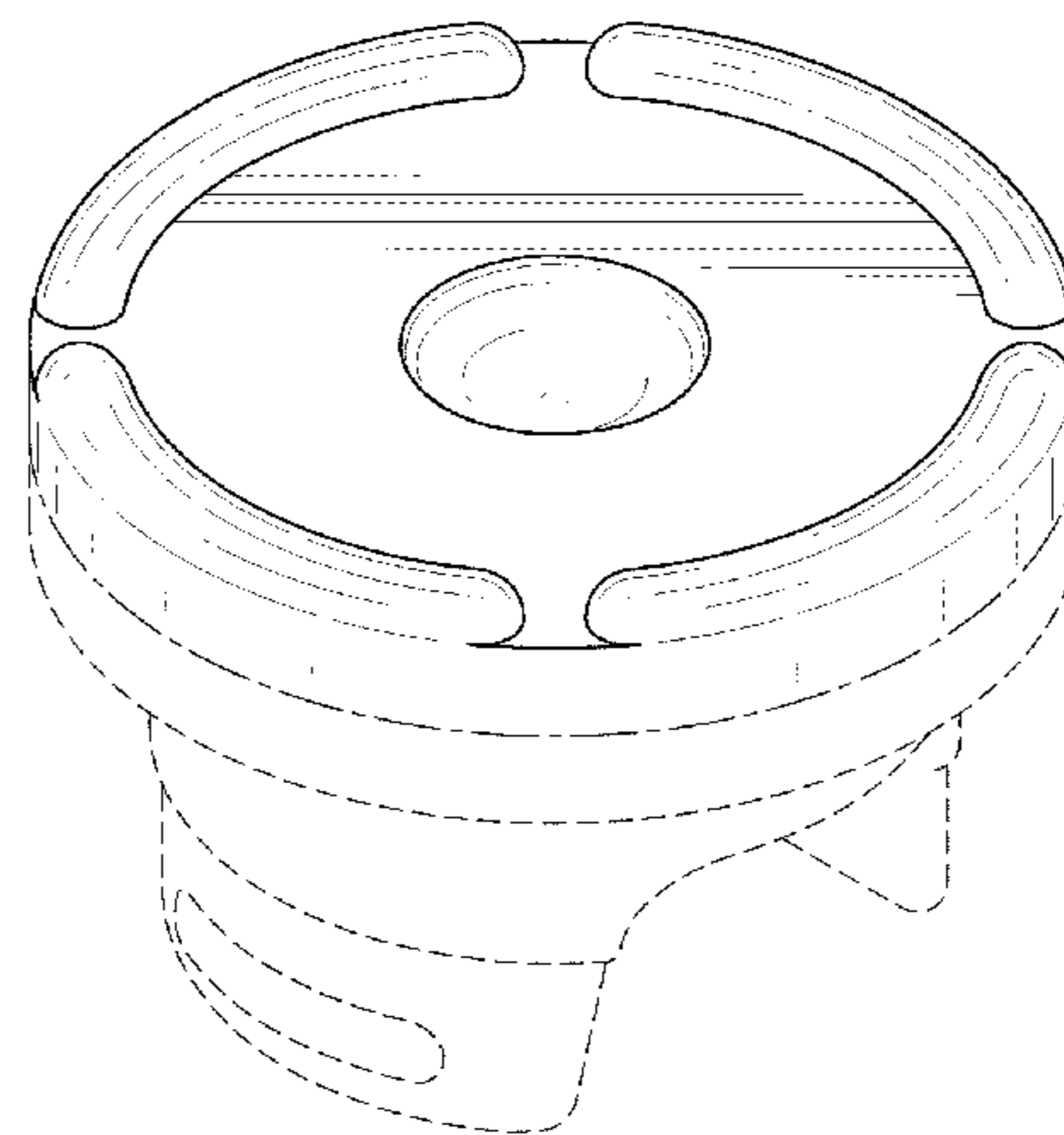
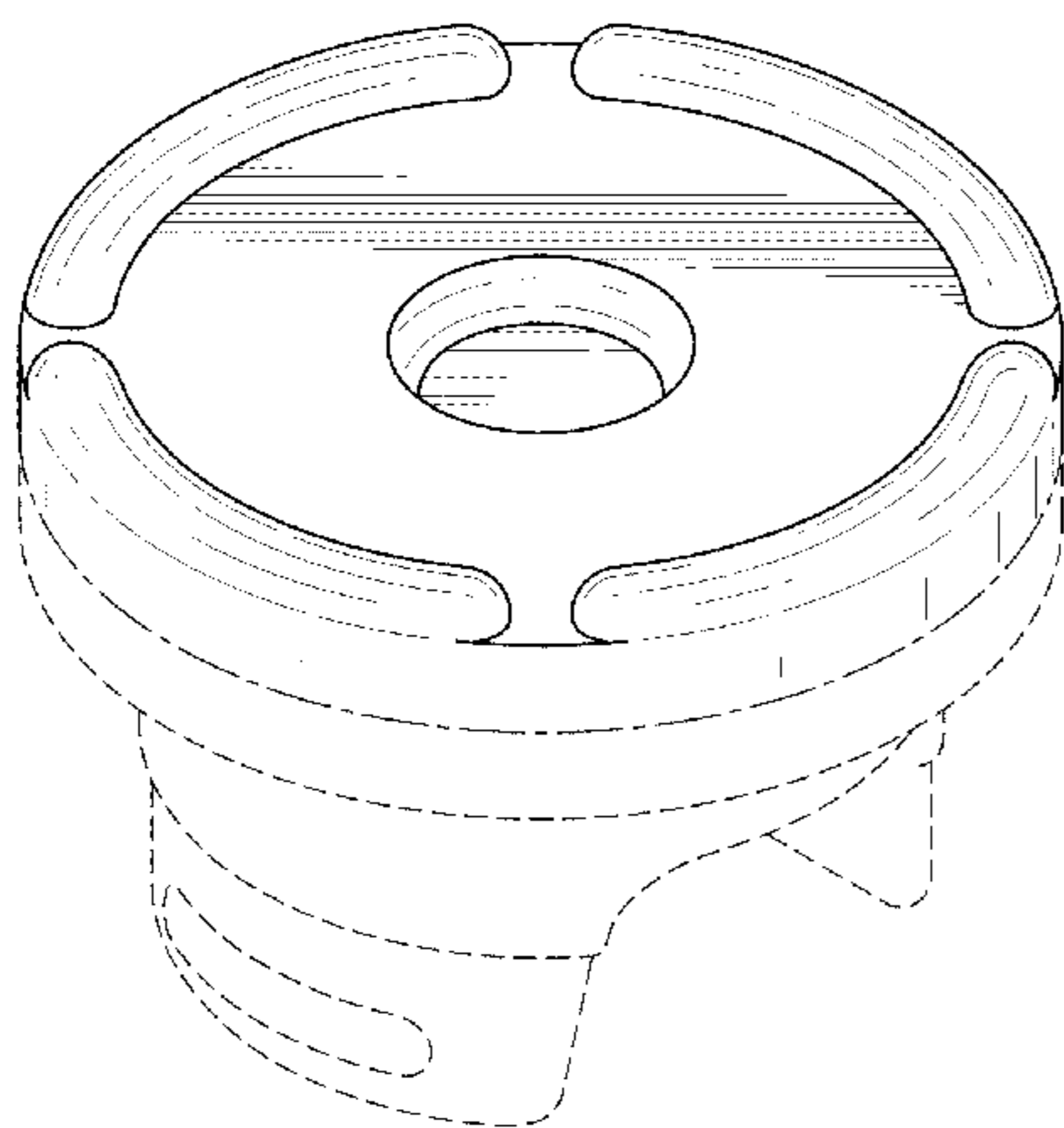
FIG. 10 is a left side view thereof;

FIG. 11 is a perspective view thereof; and,

FIG. 12 is a cross-sectional view thereof.

The rear view is the same as the front view and the right side view is the same as the left side view. The broken lines immediately adjacent to the shaded areas represent the bounds of the claim whereas all other broken lines identify environmental structure, all broken lines forming no part of the claimed design.

1 Claim, 6 Drawing Sheets



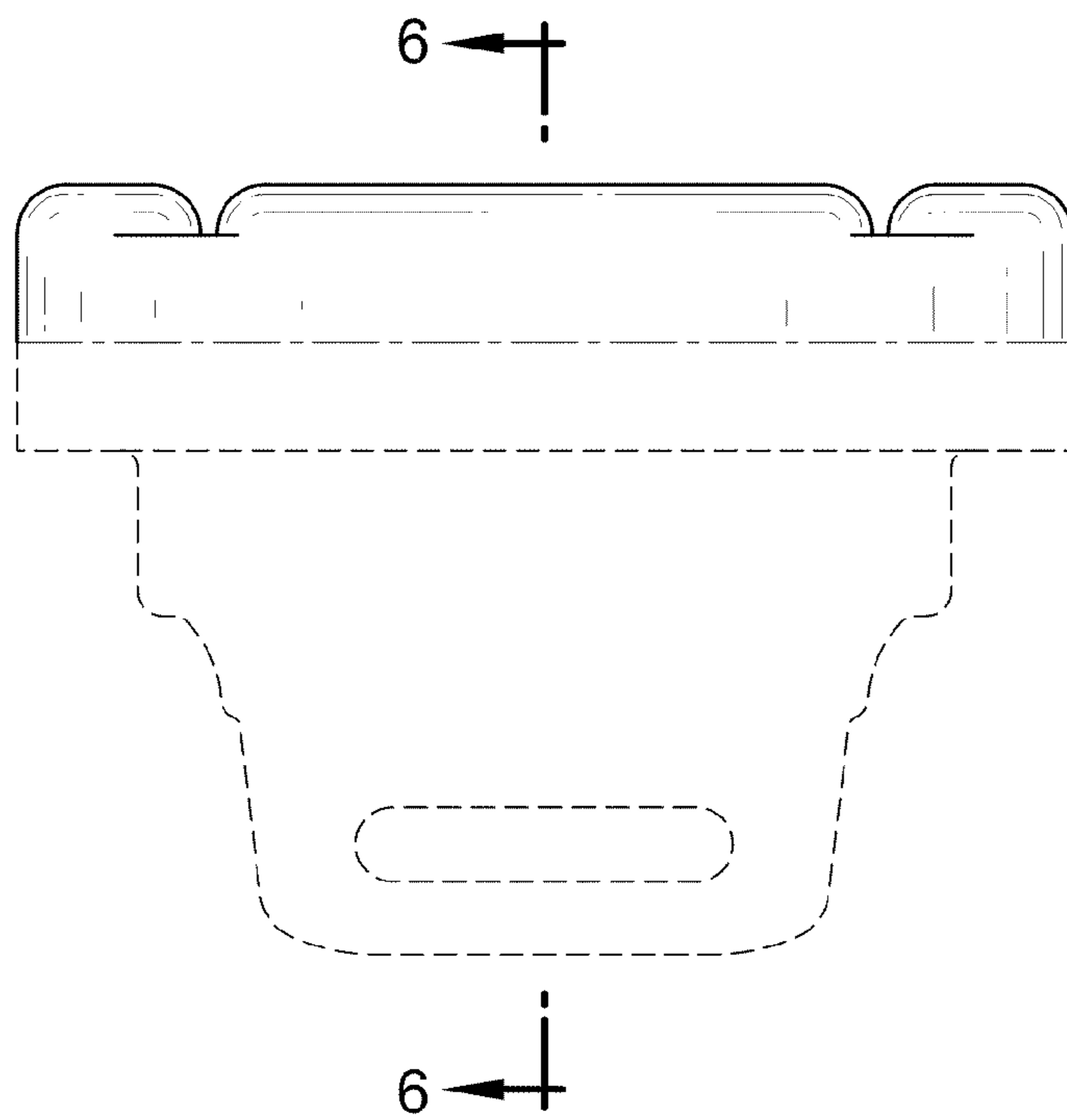


FIG.1

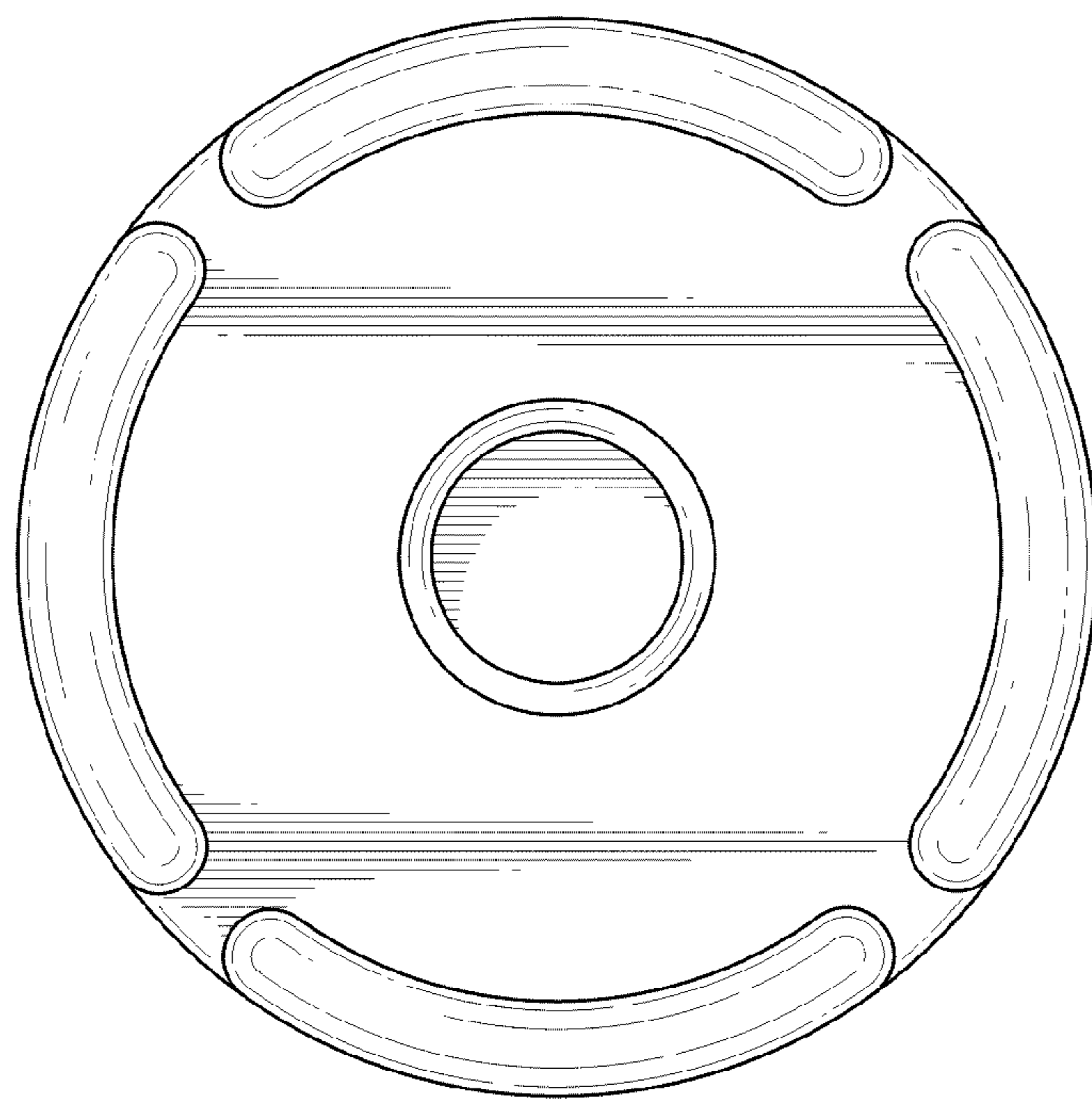


FIG.2

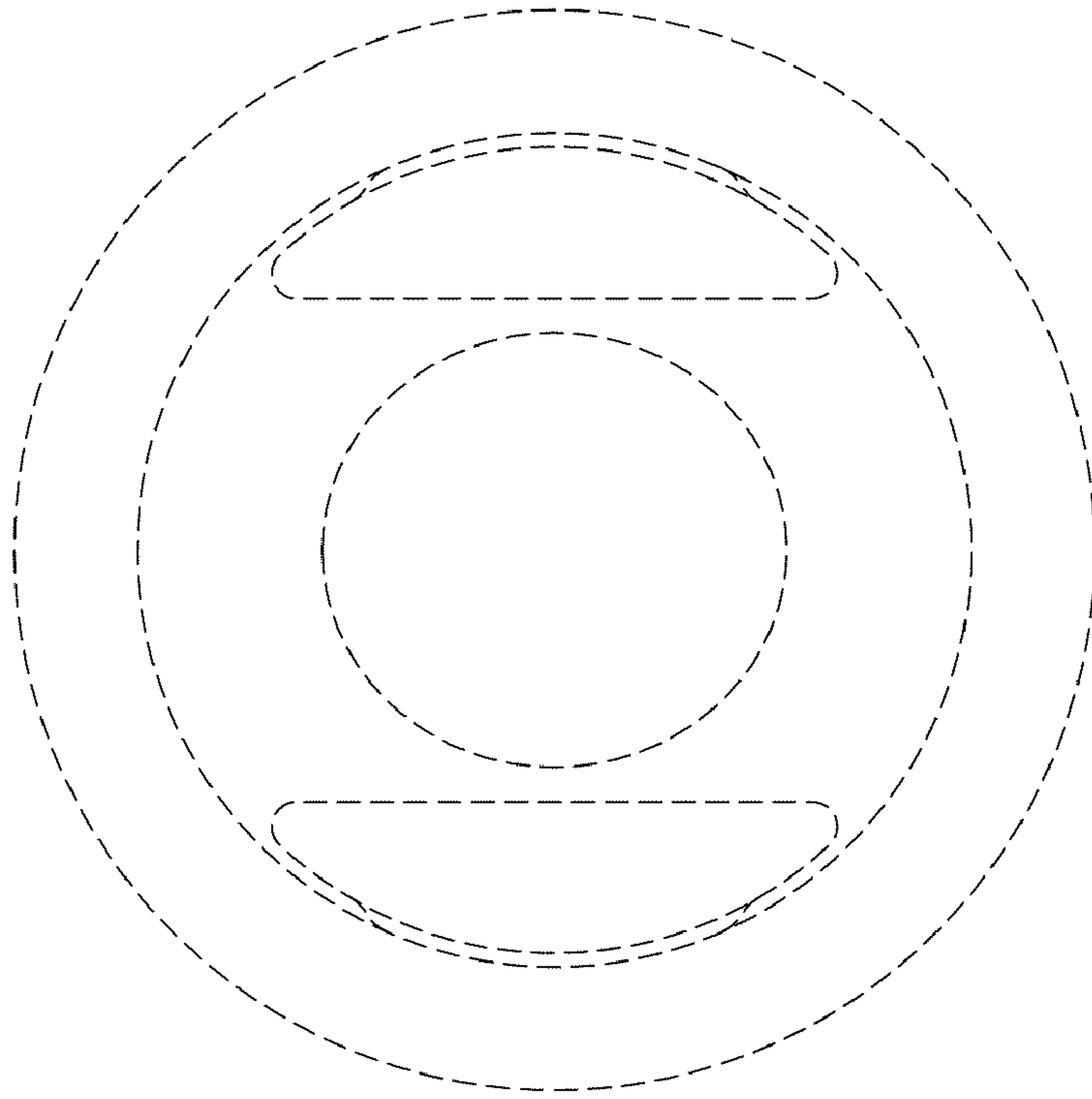


FIG. 3

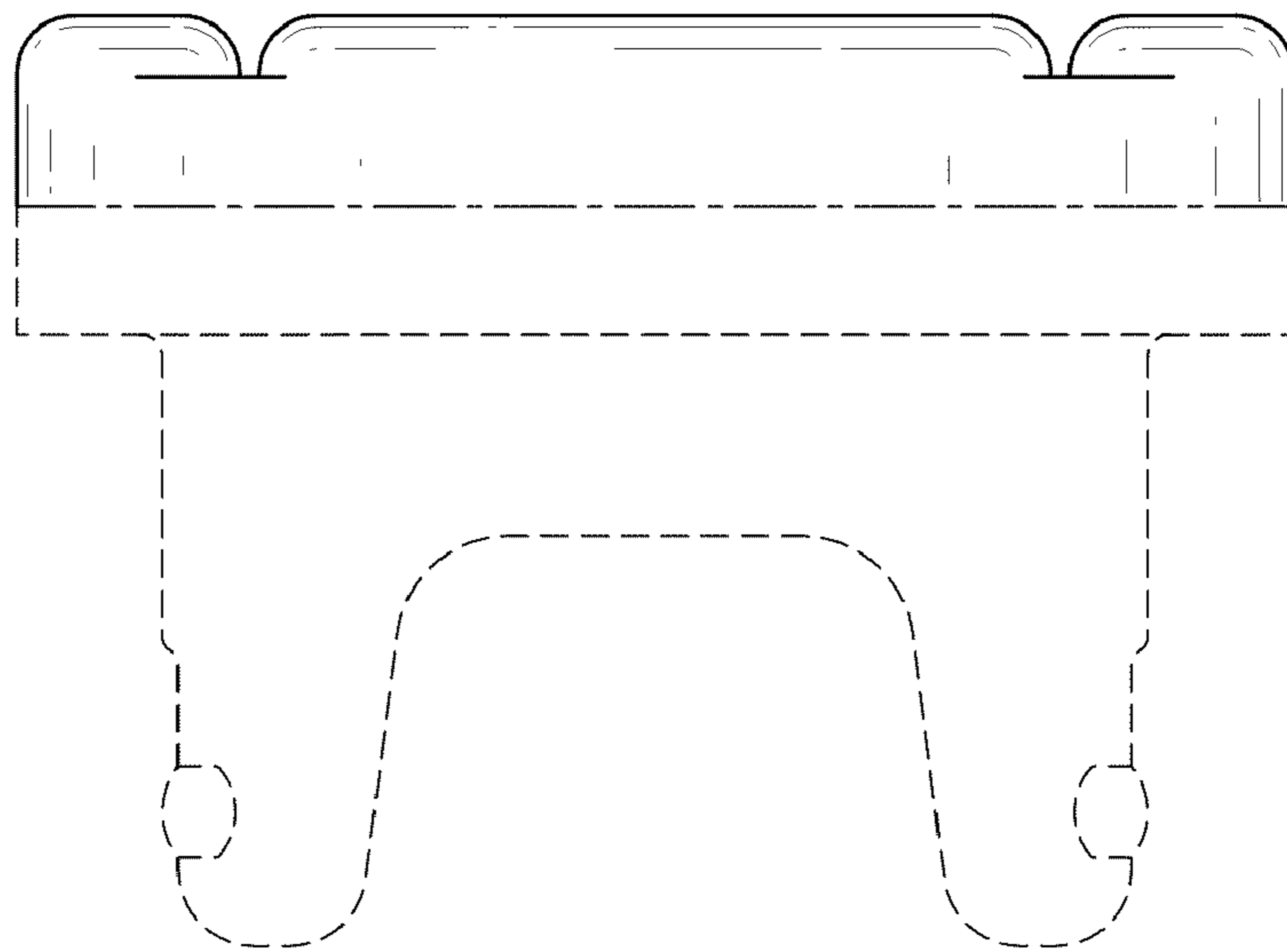


FIG. 4

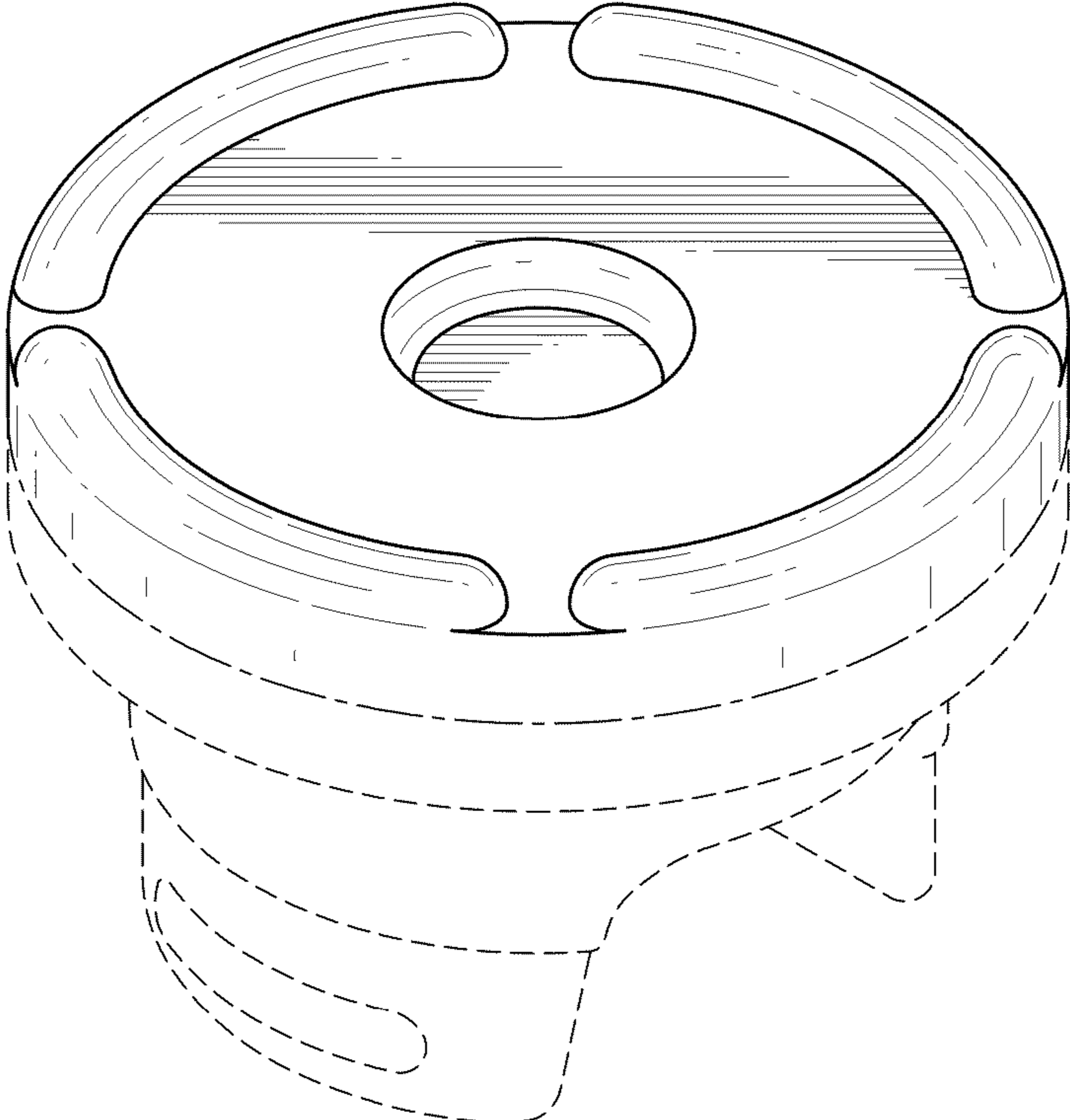


FIG. 5

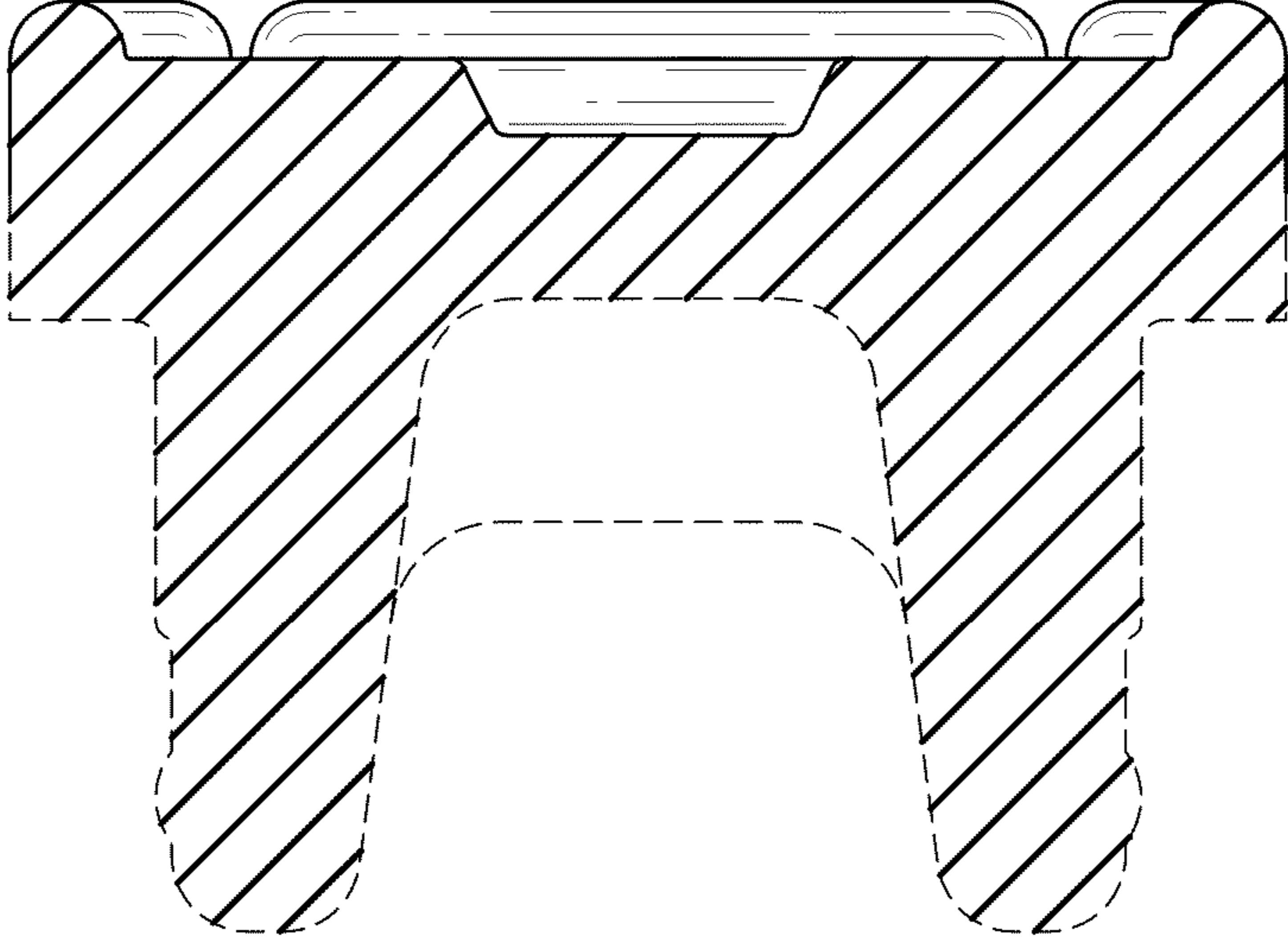


FIG. 6

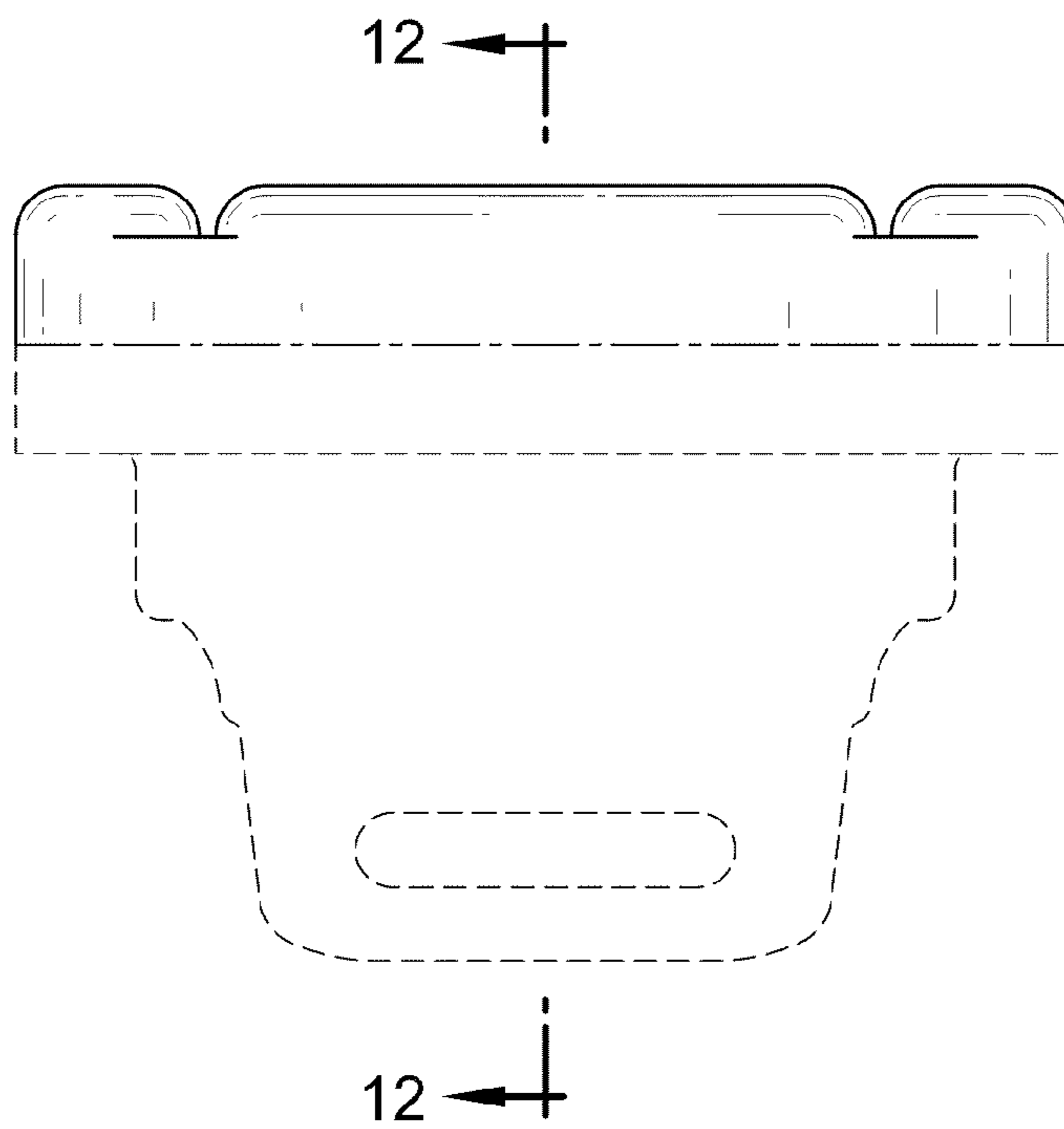


FIG. 7

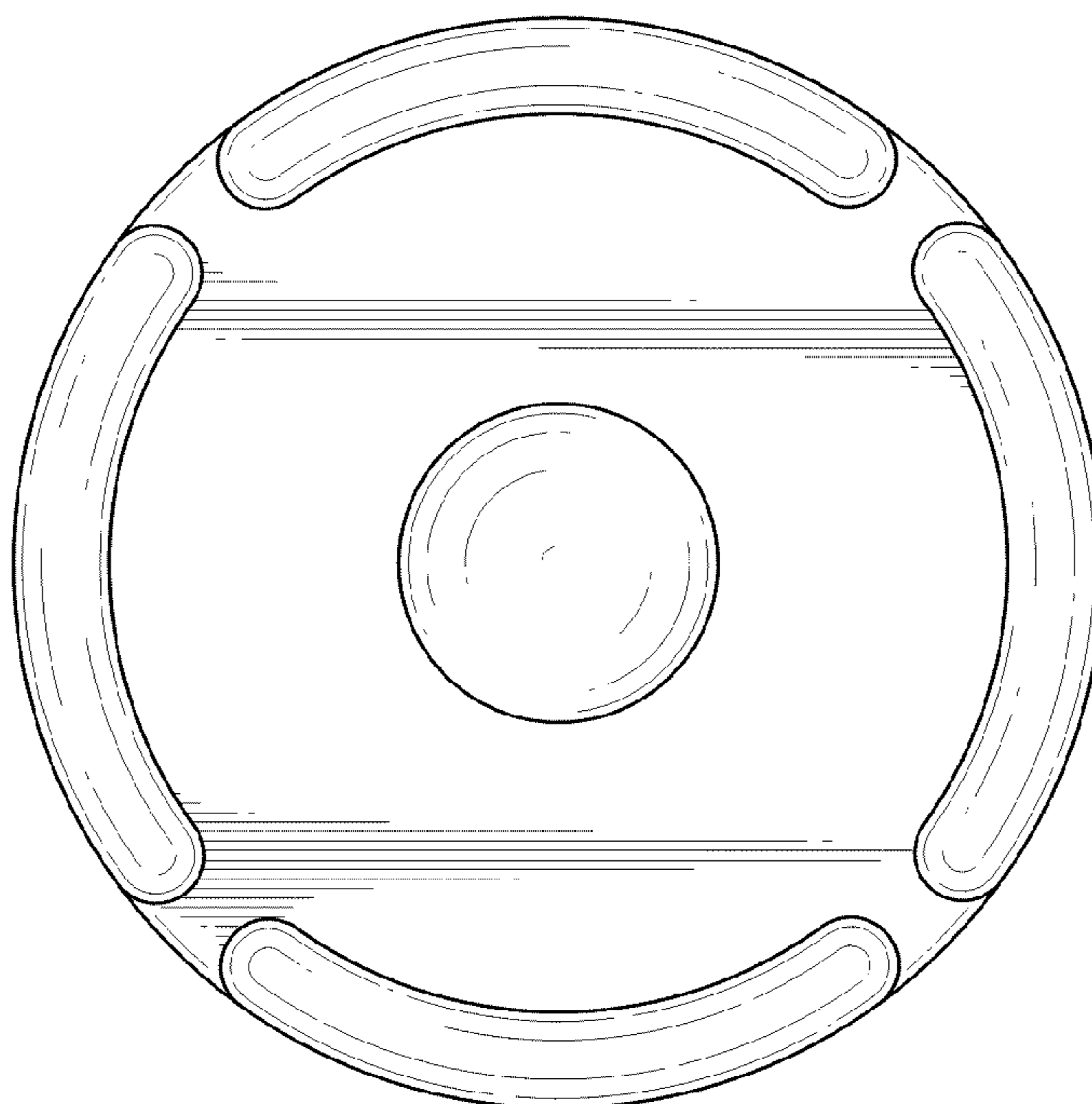


FIG. 8

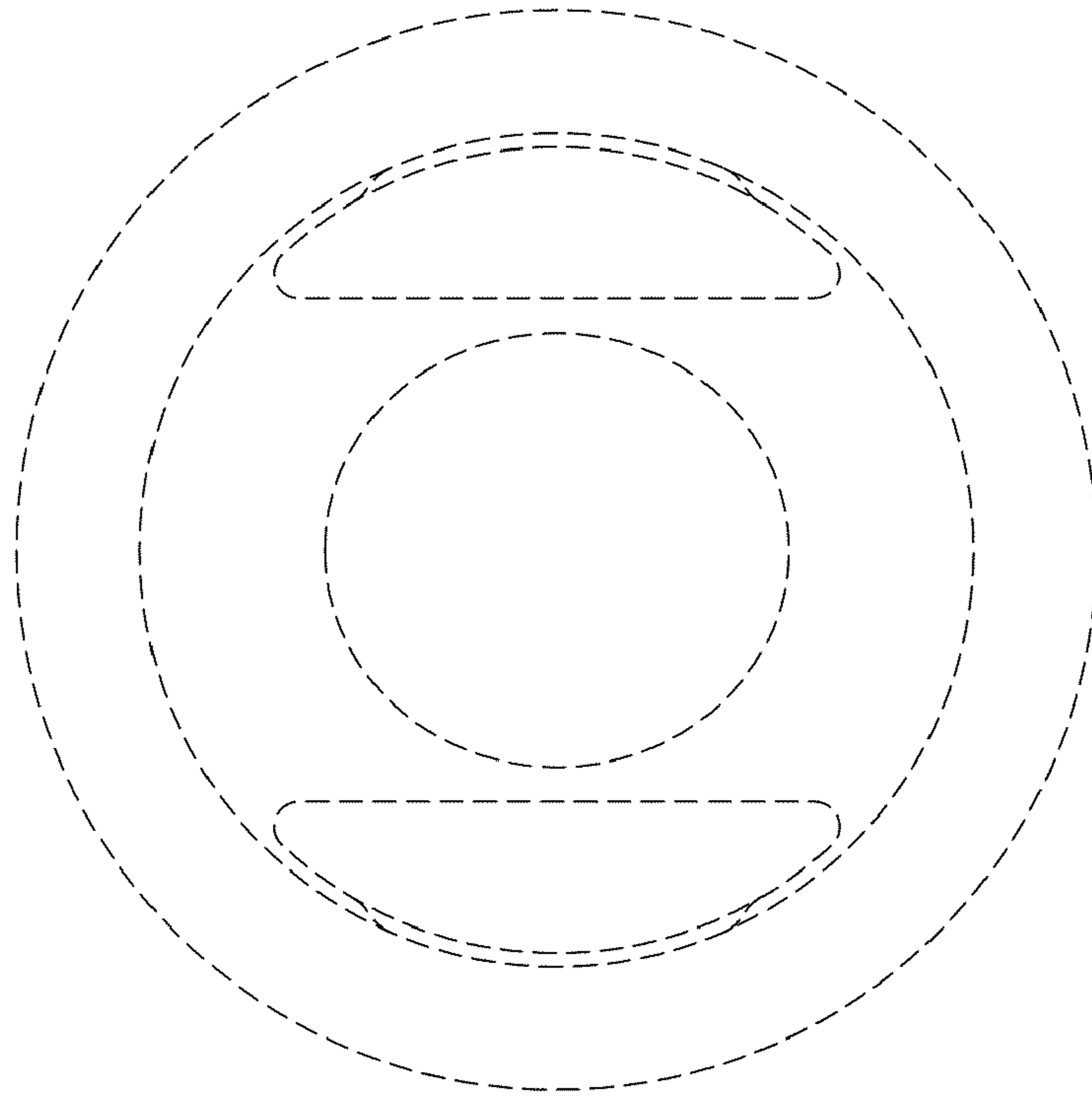


FIG. 9

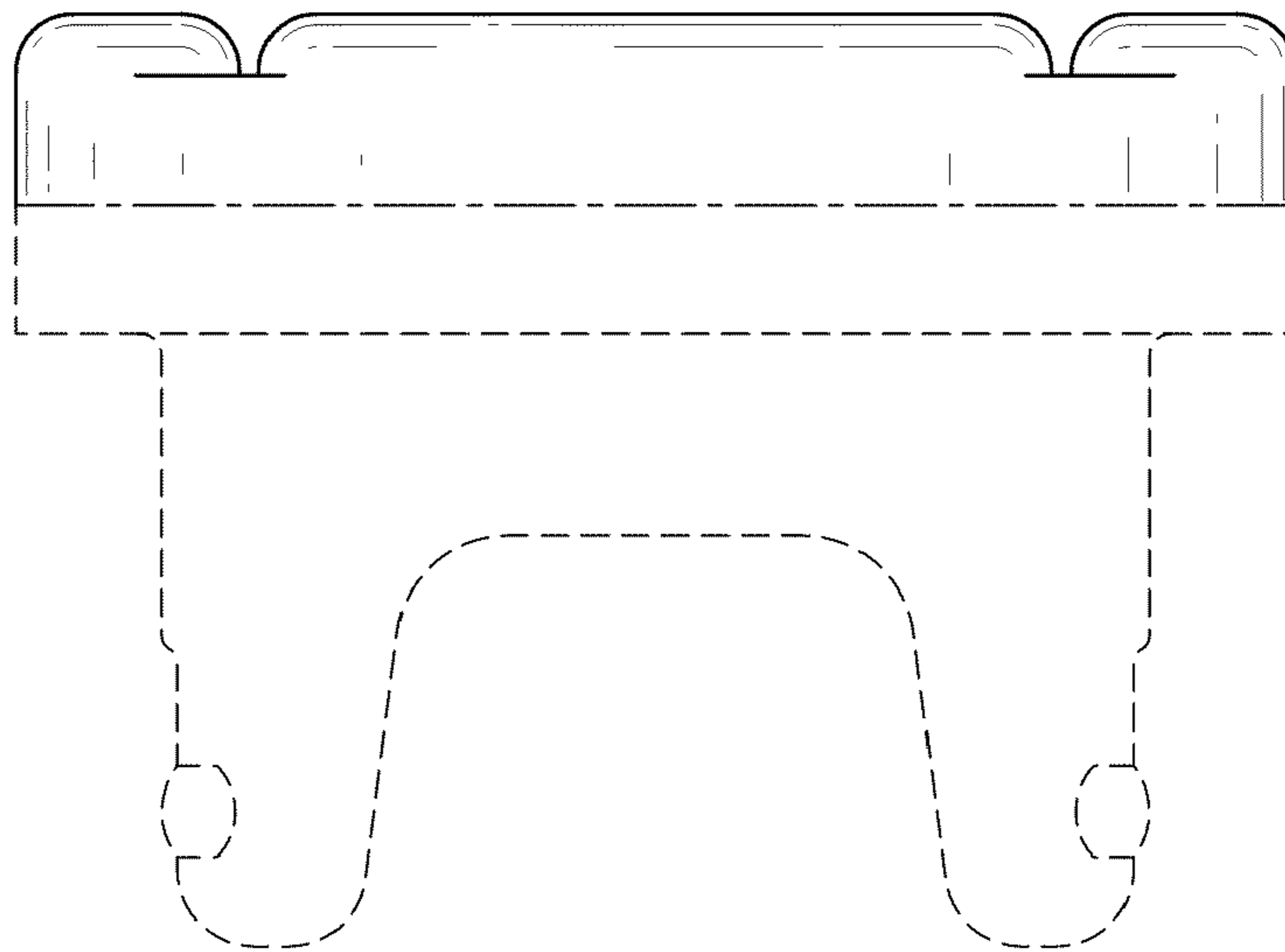


FIG. 10

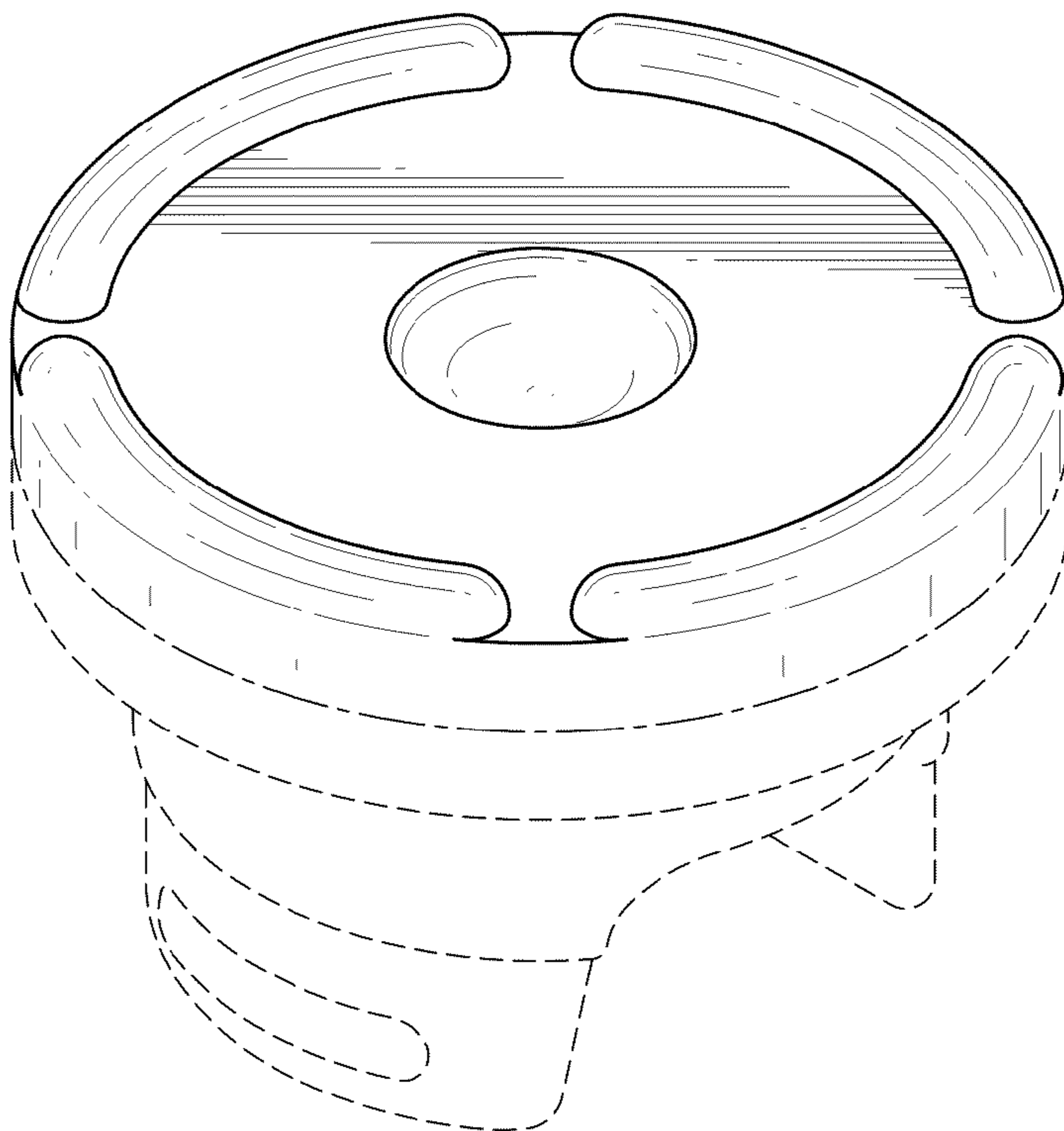


FIG. 11

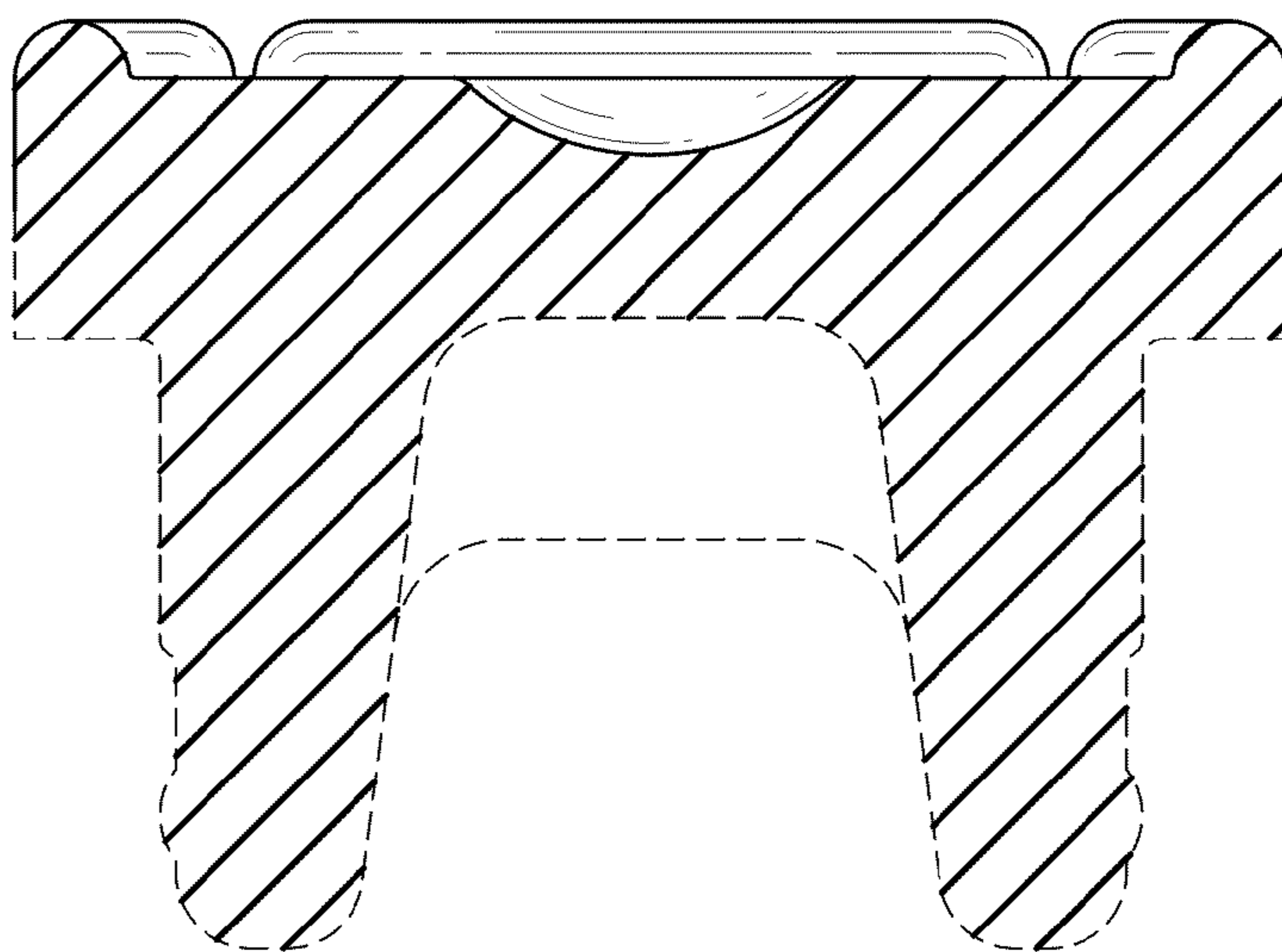


FIG. 12