



US00D643718S

(12) **United States Design Patent**
Fields

(10) **Patent No.:** **US D643,718 S**

(45) **Date of Patent:** **** *Aug. 23, 2011**

(54) **FULL OFFSET-CIRCULAR APERTURE CAN**

FOREIGN PATENT DOCUMENTS

(75) Inventor: **Brian Fields**, Lemont, IL (US)

CH 527102 8/1972
(Continued)

(73) Assignee: **Crown Packaging Technology, Inc.**,
Alsip, IL (US)

OTHER PUBLICATIONS

(*) Notice: This patent is subject to a terminal disclaimer.

U.S. Appl. No. 29/363,498: Notice of Allowance dated Nov. 29, 2010, 6 pages.

(Continued)

(**) Term: **14 Years**

Primary Examiner — Cynthia Underwood

(21) Appl. No.: **29/368,322**

(74) *Attorney, Agent, or Firm* — Woodcock Washburn LLP

(22) Filed: **Aug. 23, 2010**

(57) **CLAIM**

(51) **LOC (9) Cl.** **09-07**

I claim the ornamental design for a full offset-circular aperture can, as shown and described.

(52) **U.S. Cl.** **D9/435**

(58) **Field of Classification Search** D8/435,
D8/434, 449, 454; D7/387, 396.2, 398, 392.1,
D7/608; 220/269–271, 500, 600, 619, 623;
413/31, 6, 8; 426/118; 72/348, 349
See application file for complete search history.

DESCRIPTION

(56) **References Cited**

U.S. PATENT DOCUMENTS

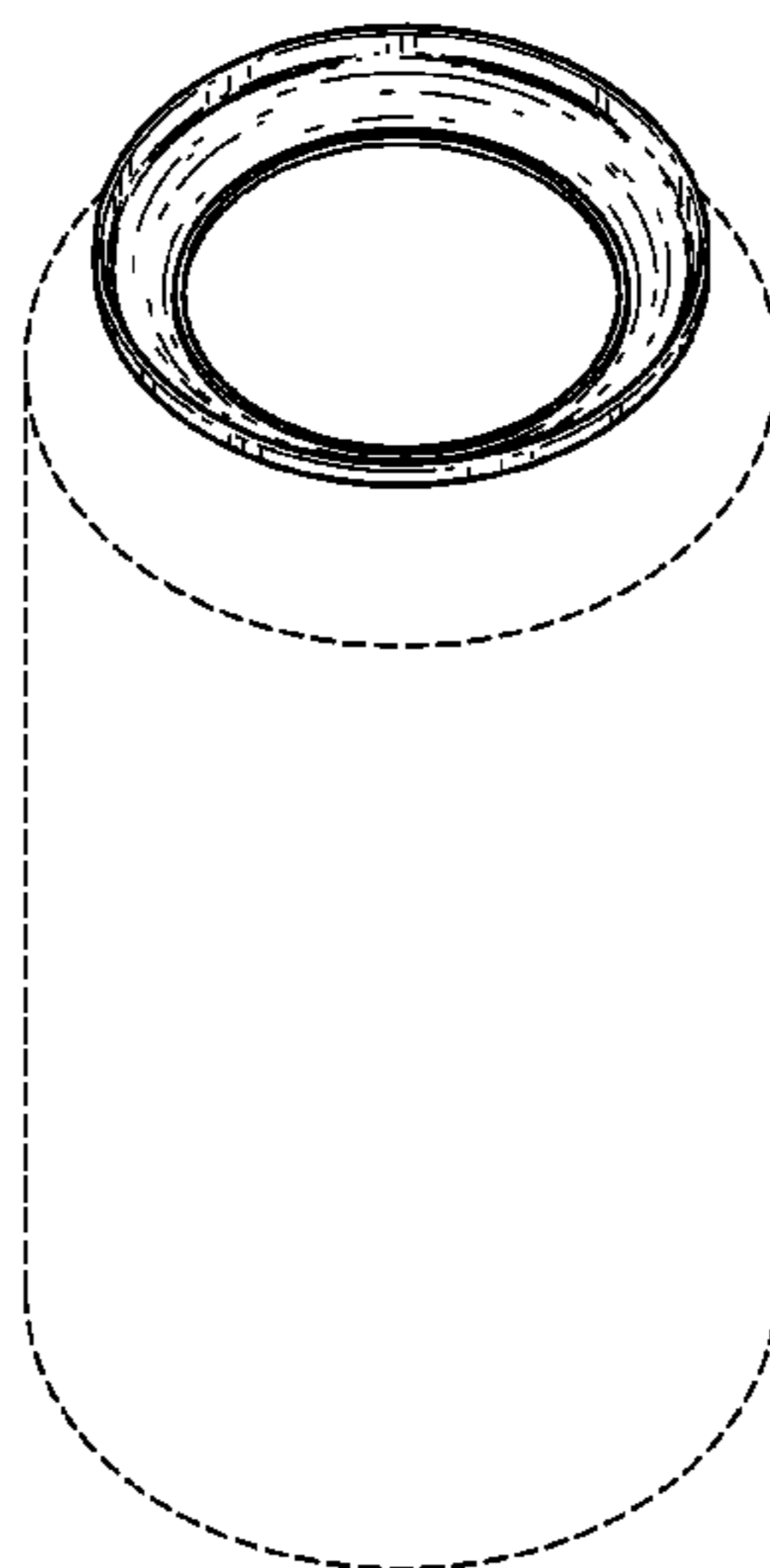
D30,094	S	*	1/1899	Busch	D9/434
D30,338	S	*	3/1899	Mann	D9/434
2,683,579	A		7/1954	Wallace		
3,301,464	A	*	1/1967	Amberg	229/125.17
3,477,608	A		11/1969	Fraze		
3,485,410	A		12/1969	Boik		
4,002,262	A		1/1977	Khoury		
4,271,778	A		6/1981	Le Bret		
D265,280	S	*	7/1982	Conti	D7/387
D286,508	S	*	11/1986	Tilden	D9/435
4,809,861	A		3/1989	Wilkinson et al.		
D328,864	S	*	8/1992	Grunzweig	D9/447
5,232,114	A		8/1993	Zysset		
5,356,256	A		10/1994	Turner et al.		
D356,456	S	*	3/1995	Henry	D6/455
D358,988	S		6/1995	Nolte		

(Continued)

This application is related by subject matter to co-pending U.S. application Ser. No. 12/797,171 filed Jun. 9, 2010, U.S. application Ser. No. 29/363,492 filed Jun. 10, 2010, U.S. application Ser. No. 29/363,498 filed Jun. 10, 2010, U.S. application Ser. No. 29/363,500 filed Jun. 10, 2010, and U.S. application Ser. No. 29/363,502 filed Jun. 10, 2010. This application is also related by subject matter to co-pending applications U.S. patent application Ser. No. 29/368,323, filed Aug. 23, 2010 entitled "Full Longitudinally Oriented Oval Aperture Can" and U.S. patent application Ser. No. 29/368,324, filed Aug. 23, 2010 entitled "Full Transversely Oriented Oval Aperture Can."

FIG. 1 is a top perspective view of an full offset-circular aperture can according to our new design; FIG. 2 is a side view thereof, with all sides being the same; FIG. 3 a top plan view thereof; and, FIG. 4 is bottom plan view thereof. The portions of the drawings appearing in broken line are for environment only and do not form a part of the claimed design.

1 Claim, 2 Drawing Sheets



US D643,718 S

Page 2

U.S. PATENT DOCUMENTS

5,582,319 A 12/1996 Heyes et al.
D379,588 S * 6/1997 Pledger et al. D9/434
5,711,448 A 1/1998 Clarke, III
5,860,553 A 1/1999 Schubert
D406,236 S 3/1999 Brifcani et al.
5,911,551 A 6/1999 Maran
5,957,647 A 9/1999 Hinton
5,971,259 A 10/1999 Bacon
6,065,634 A 5/2000 Brifcani et al.
6,089,072 A 7/2000 Fields
D431,413 S * 10/2000 Schaper et al. D7/394
D480,304 S * 10/2003 Stodd D9/434
D488,376 S 4/2004 Chung
6,848,875 B2 2/2005 Brifcani et al.
6,915,553 B2 7/2005 Turner et al.
D515,353 S 2/2006 Martin
D525,127 S * 7/2006 Cogley et al. D9/456
7,100,789 B2 9/2006 Nguyen et al.
D559,680 S 1/2008 Jacober et al.
7,341,163 B2 3/2008 Stodd
D567,657 S 4/2008 Hall et al.
D570,213 S * 6/2008 Newman D9/447
7,500,376 B2 3/2009 Bathurst et al.
7,506,779 B2 3/2009 Jentzsch et al.
D591,149 S * 4/2009 Bonner et al. D9/434

7,673,768 B2 3/2010 Reed et al.
7,743,635 B2 6/2010 Jentzsch et al.
2004/0026433 A1 2/2004 Brifcani et al.
2005/0284869 A1 12/2005 Mills
2008/0067171 A1 3/2008 Heinicke

FOREIGN PATENT DOCUMENTS

EP 1813540 8/2007
EP 09169559.3 9/2009
GB 1358427 7/1974
GB 1453131 10/1976

OTHER PUBLICATIONS

U.S. Appl. No. 29/363,492: Notice of Allowance dated Nov. 30, 2010, 7 pages.

U.S. Appl. No. 29/363,500: Notice of Allowance dated Nov. 30, 2010, 6 pages.

Ball Packaging Europe, "Full aperture tear-off end", http://www.ball-europe.com/382_349_ENG_PHP.html, accessed Dec. 2, 2010, 1 page.

U.S. Appl. No. 29/368,323: Notice of Allowance dated Dec. 3, 2010, 6 pages.

* cited by examiner

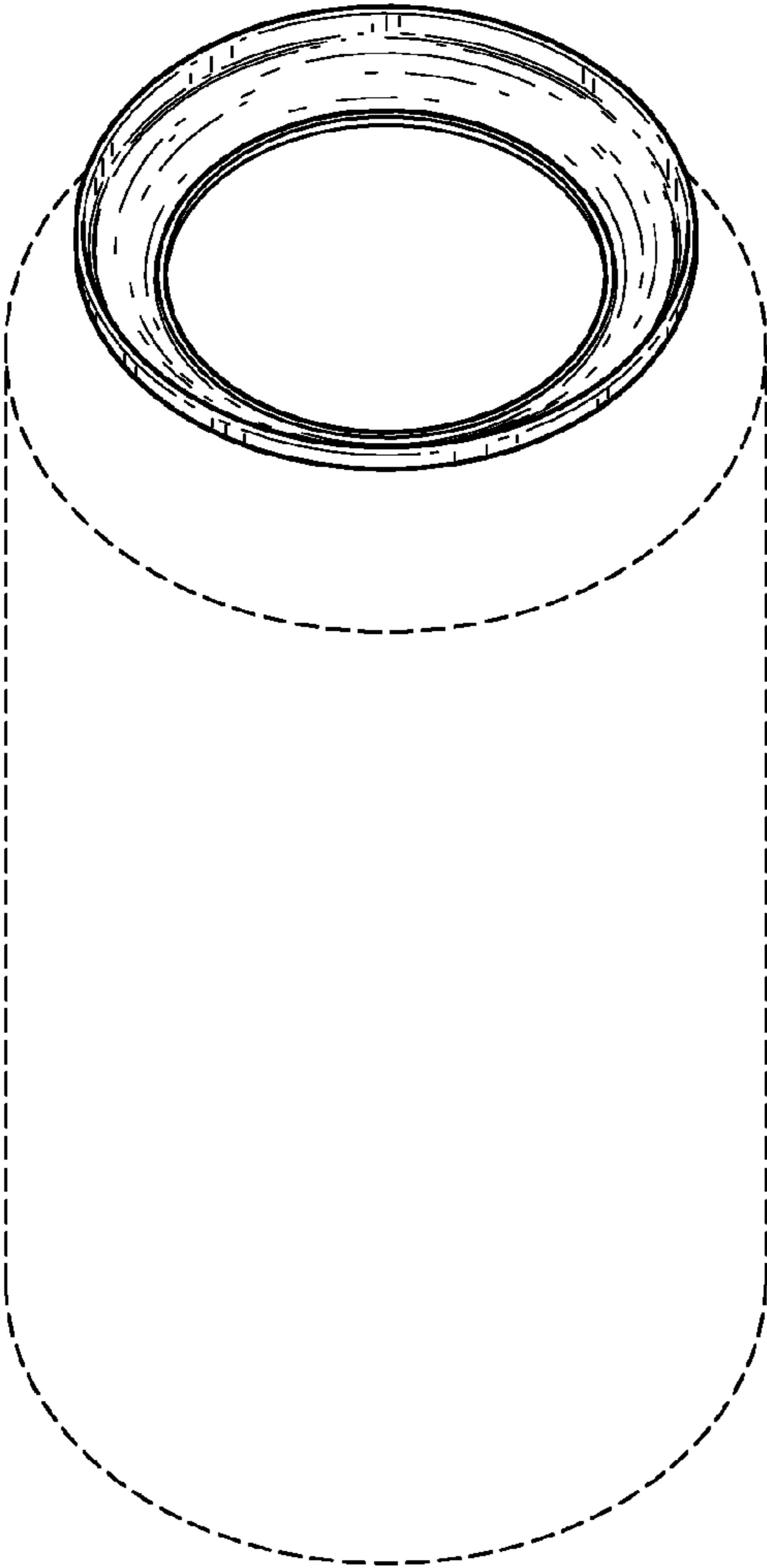


FIG. 1

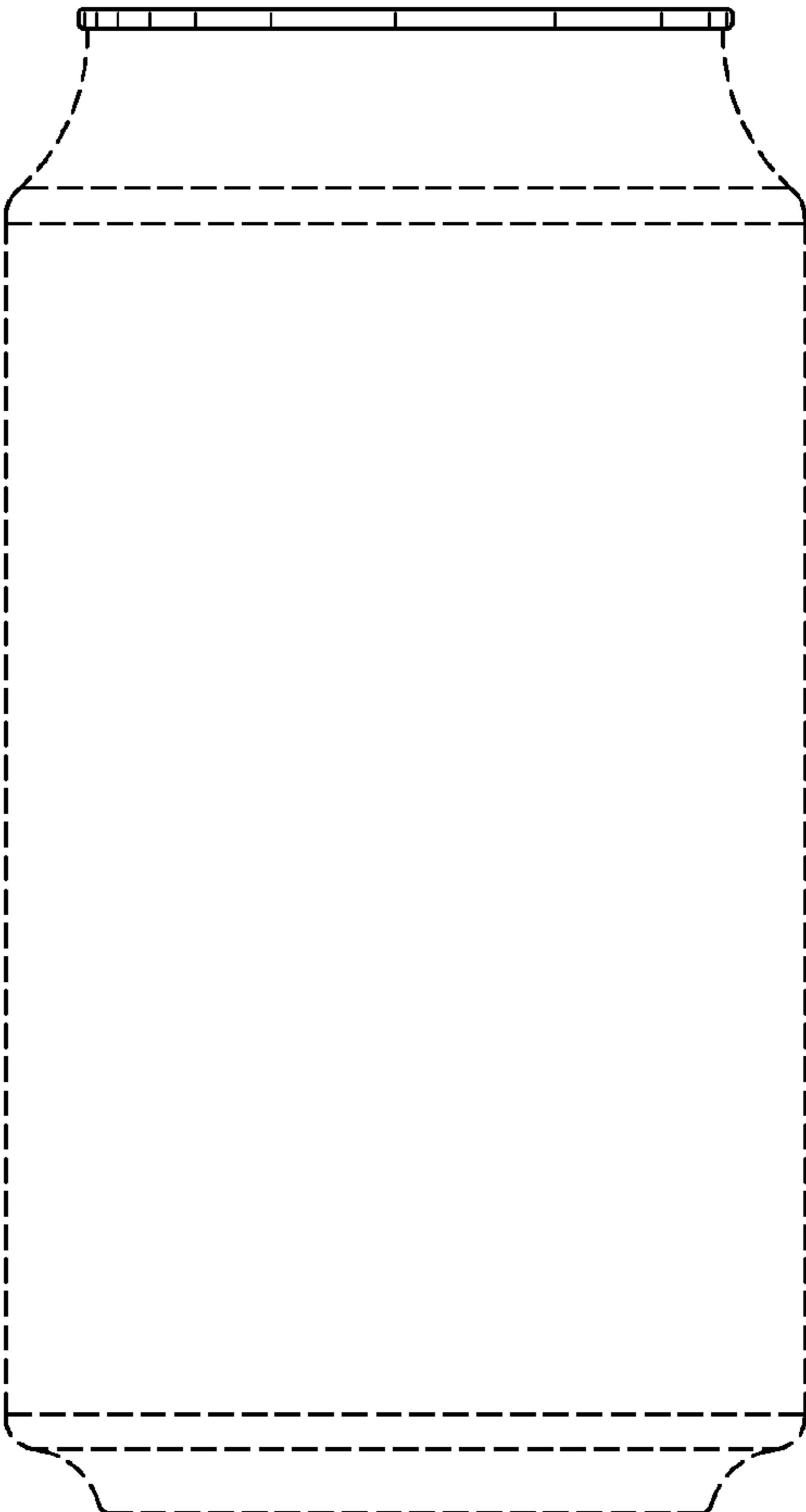


FIG. 2

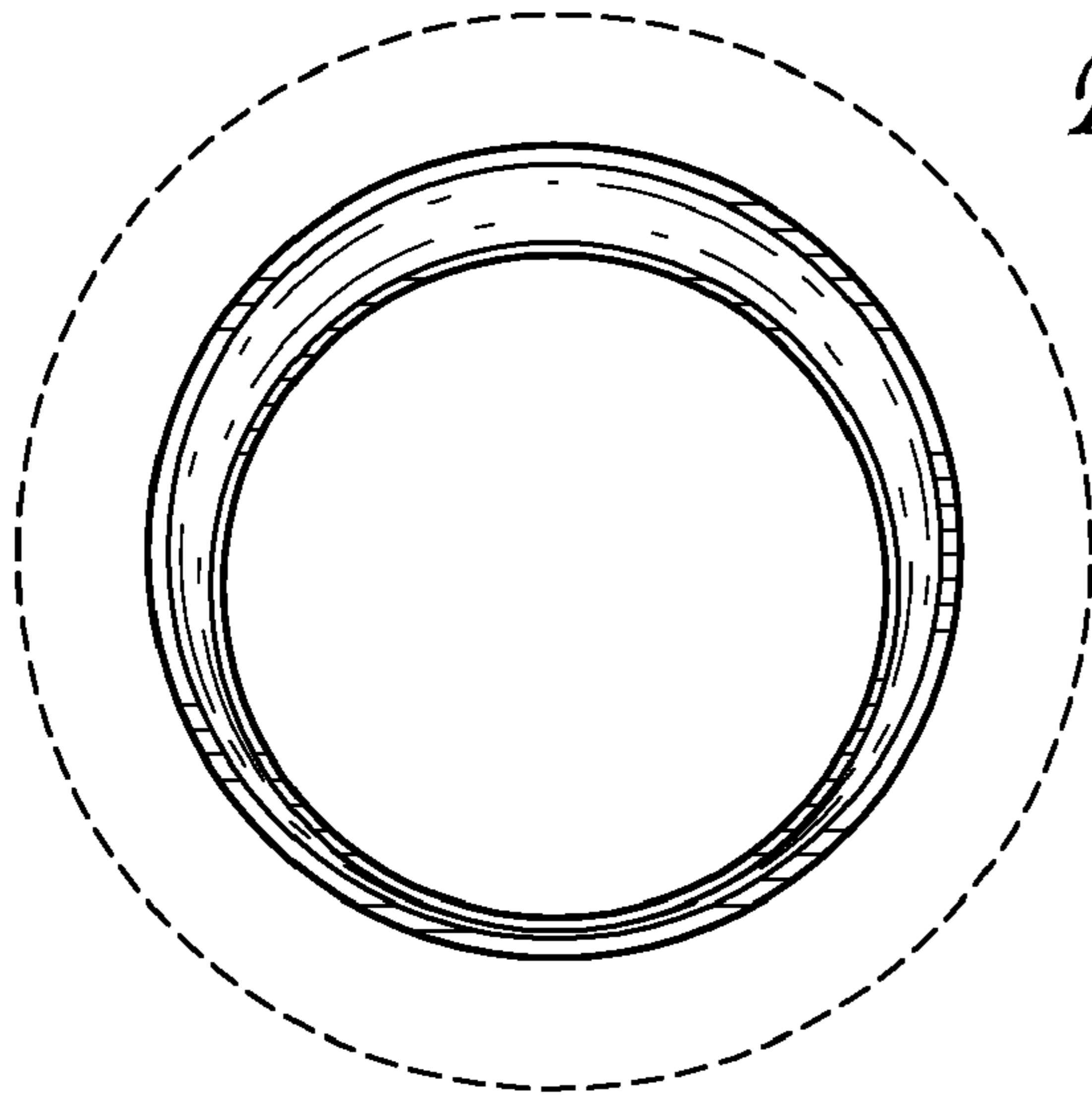


FIG. 3

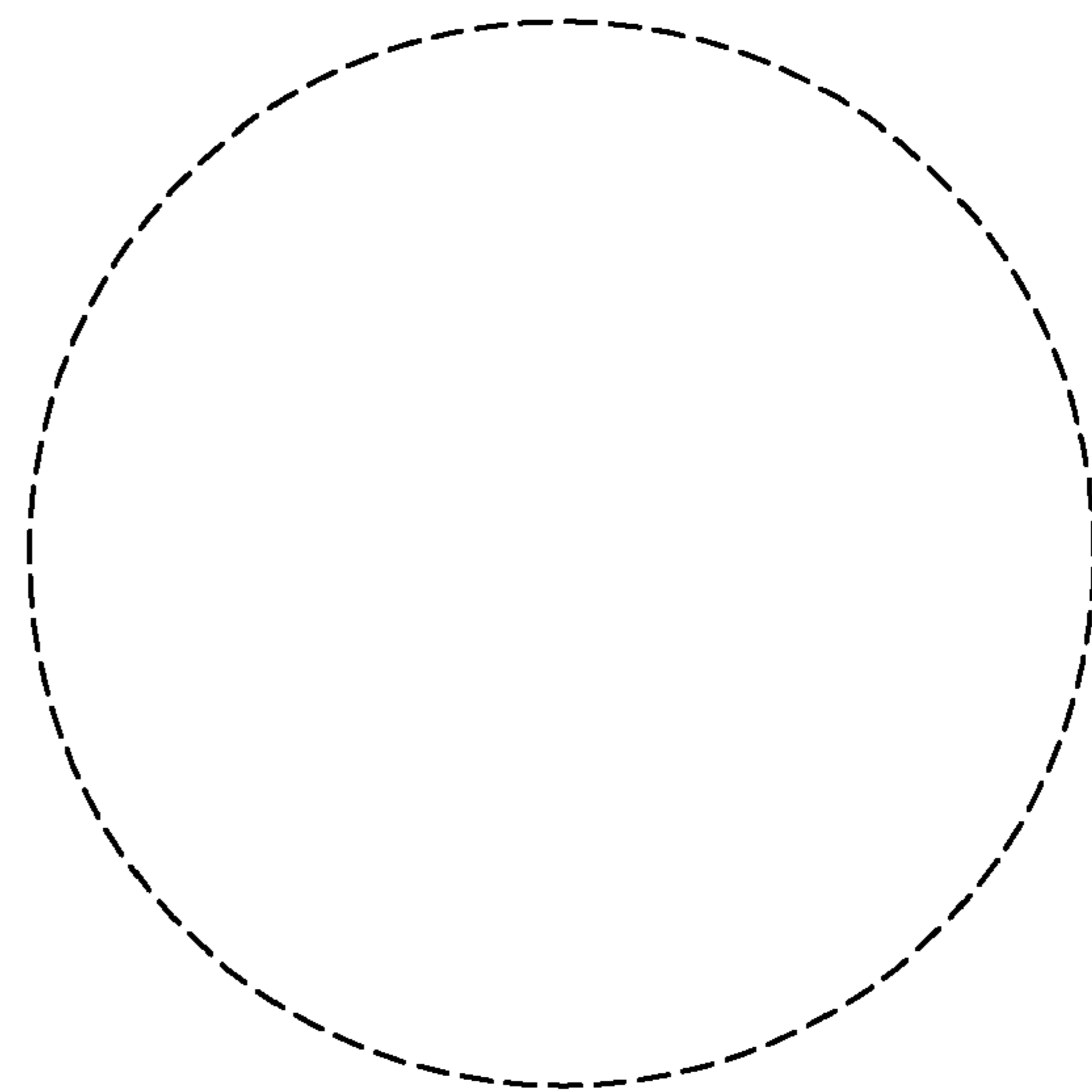


FIG. 4