



US00D643717S

(12) **United States Design Patent**  
**Reinhart et al.**

(10) **Patent No.:** **US D643,717 S**

(45) **Date of Patent:** **\*\* Aug. 23, 2011**

(54) **CONTAINER**

(75) Inventors: **Terrence L. Reinhart**, Findlay, OH  
(US); **Nickolas L. Reinhart**, Findlay,  
OH (US)

(73) Assignee: **Centrex Plastics, LLC**, Findlay, OH  
(US)

(\*\*) Term: **14 Years**

(21) Appl. No.: **29/337,828**

(22) Filed: **May 29, 2009**

(51) **LOC (9) Cl.** ..... **09-07**

(52) **U.S. Cl.** ..... **D9/435**

(58) **Field of Classification Search** ..... D9/424,  
D9/425, 431, 432, 434, 435, 436, 438, 455,  
D9/456, 444, 445, 443; D7/392.1, 629, 391,  
D7/318, 587; D3/273, 294, 272, 276, 302,  
D3/318; 220/737, 780, 781, 784, 802, 826;  
206/506, 508, 518, 505

See application file for complete search history.

5,328,048 A *	7/1994	Stein	.....	220/826
5,353,948 A *	10/1994	Lanoue et al.	.....	220/826
5,452,847 A *	9/1995	Harris et al.	.....	229/125.11
D374,772 S	10/1996	Hotaling et al.		
D382,112 S	8/1997	Egan		
5,673,791 A *	10/1997	Jamison	.....	206/508
D406,463 S	3/1999	Rutledge		
6,041,931 A *	3/2000	Jacques	.....	206/505
D427,769 S	7/2000	Zimmerman		
D439,406 S	3/2001	Zimmerman		
D448,166 S	9/2001	Zimmerman		
D480,560 S	10/2003	Tanji		
D480,872 S	10/2003	Welsh et al.		
D493,282 S	7/2004	Dubois et al.		
D501,722 S	2/2005	Zimmerman		
D519,734 S	5/2006	Richardson et al.		
D572,902 S *	7/2008	Schafer	.....	D3/272

\* cited by examiner

*Primary Examiner* — Rob Spear

*Assistant Examiner* — Rashida C McCoy

(74) *Attorney, Agent, or Firm* — Banner & Witcoff, Ltd.

(57) **CLAIM**

The ornamental design for a container, as shown and described.

(56) **References Cited**

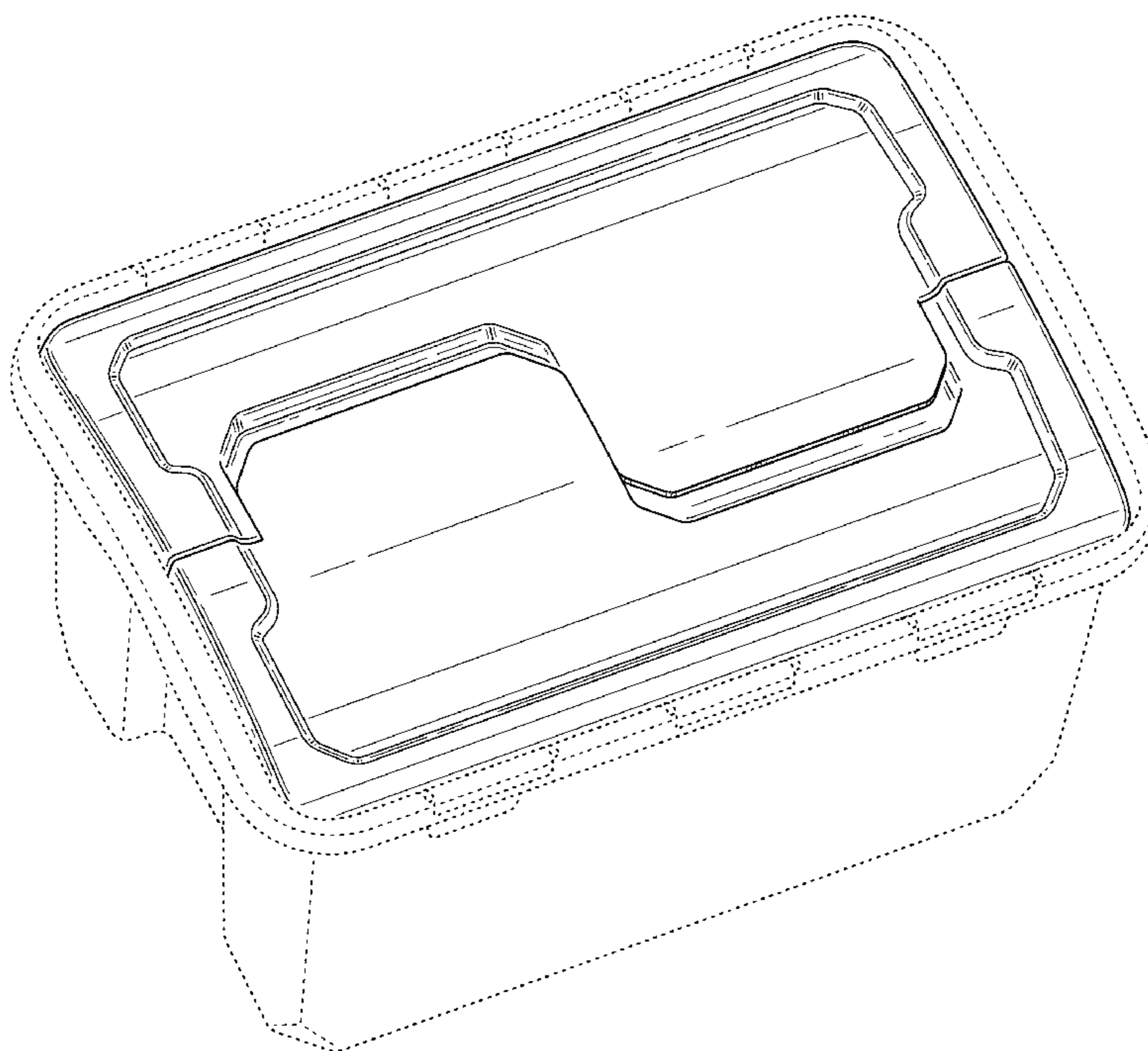
U.S. PATENT DOCUMENTS

4,161,261 A *	7/1979	Frater	.....	220/826
D257,528 S *	11/1980	Cherry	.....	D3/294
4,364,489 A *	12/1982	Alexeeff	.....	220/826
D271,343 S *	11/1983	Miller	.....	D3/294
4,620,644 A *	11/1986	Miller	.....	220/826
4,685,567 A *	8/1987	Webb	.....	206/506
4,765,480 A *	8/1988	Malmanger	.....	206/506
4,892,221 A *	1/1990	Gora et al.	.....	220/826
D348,342 S	6/1994	Lang-Ree et al.		

**DESCRIPTION**

FIG. 1 is a perspective view of a container showing my new design; and, FIG. 2 is a top view thereof. The broken line showing of the remainder of the container is for environmental purposes only and forms no part of the claimed design.

**1 Claim, 2 Drawing Sheets**



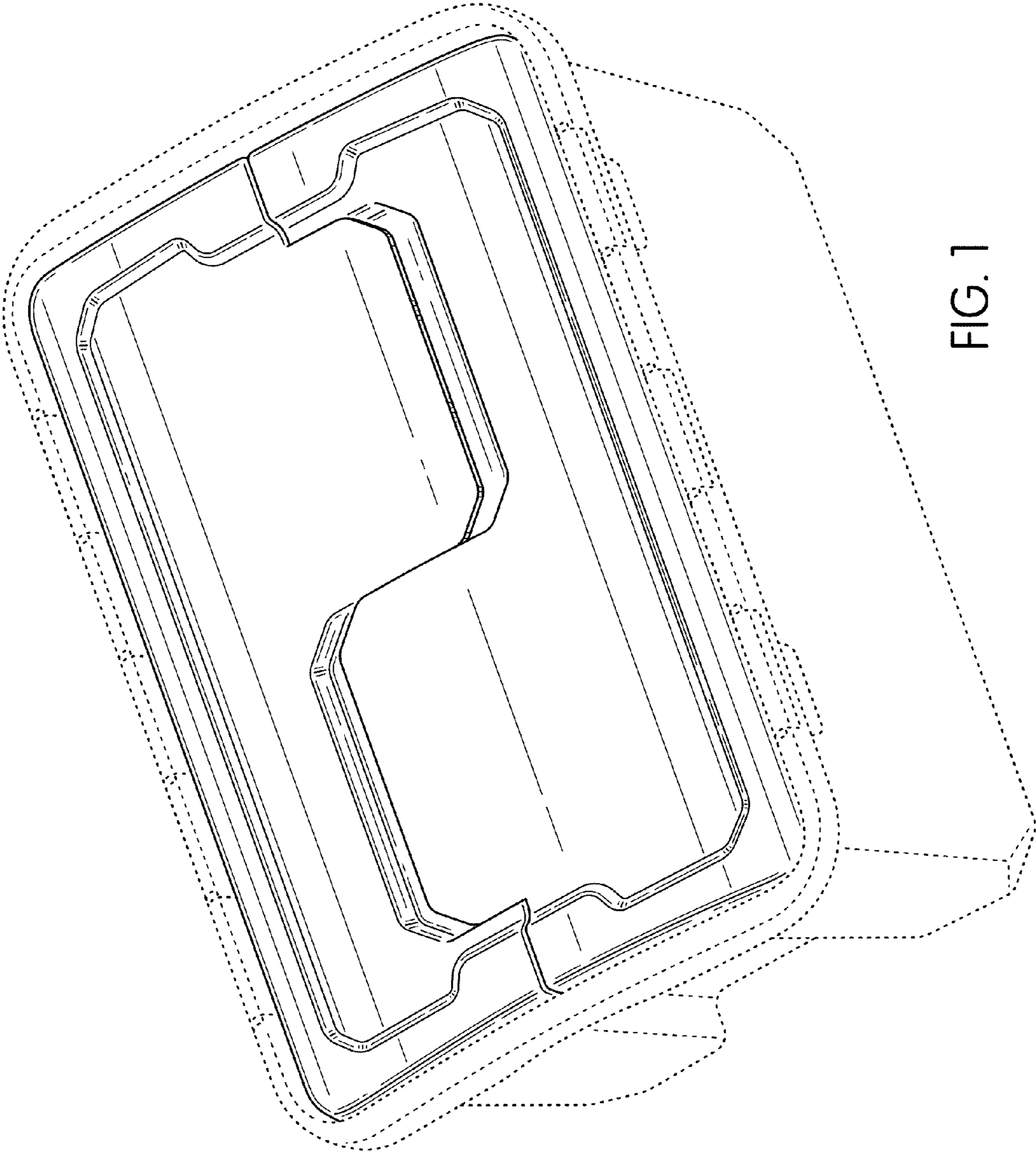


FIG. 1

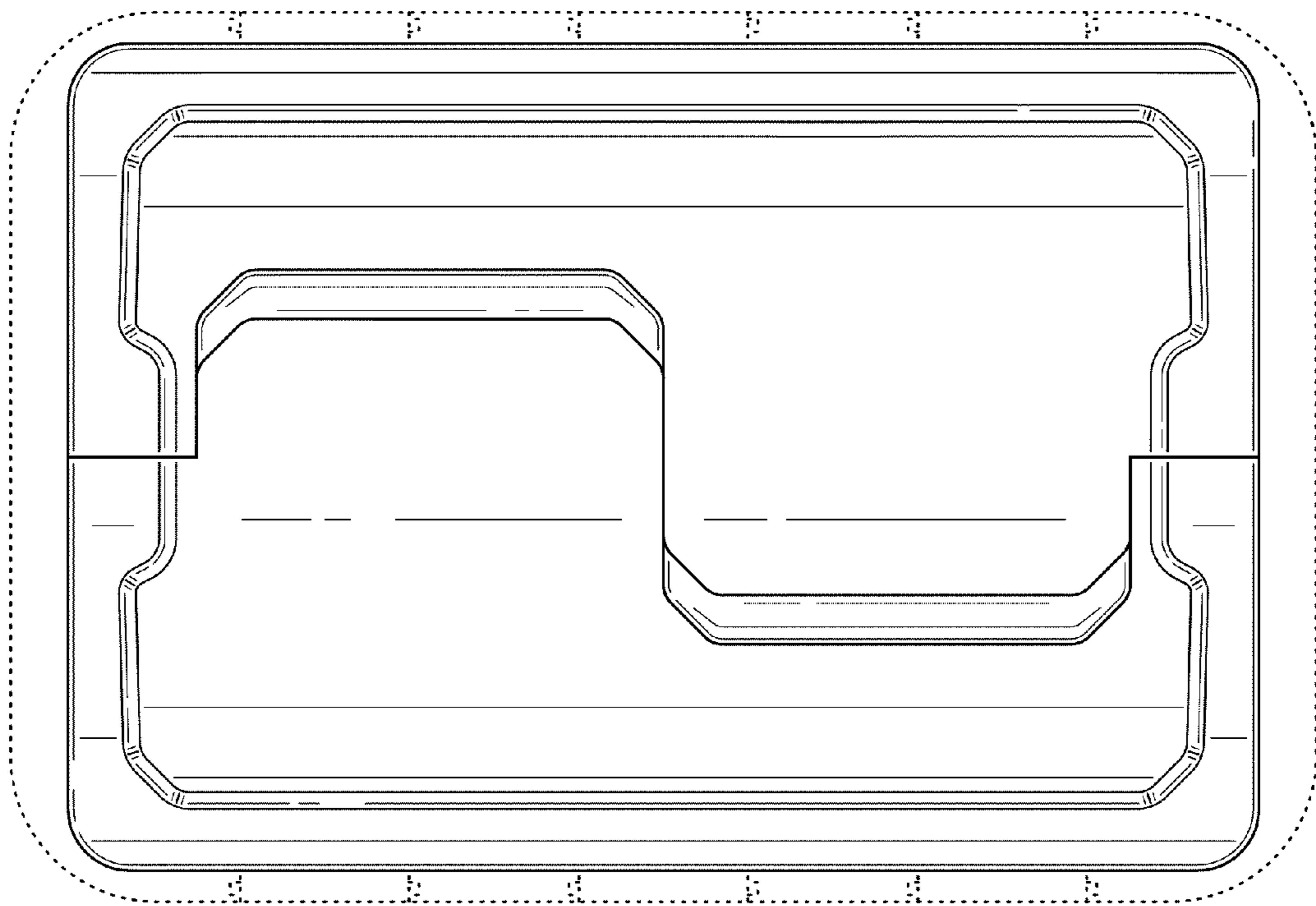


FIG. 2