



US00D643716S

(12) **United States Design Patent**
Kozarsky et al.

(10) **Patent No.:** **US D643,716 S**

(45) **Date of Patent:** **** Aug. 23, 2011**

(54) **CONTAINER WITH HEAT SEAL**

(75) Inventors: **Neil J. Kozarsky**, Mount Laurel, NJ (US); **Eliot M. Kozarsky**, Moorestown, NJ (US); **Stephen P. Belko**, Blackwood, NJ (US); **John A. Carporaso**, Moorestown, NJ (US)

(73) Assignee: **Zipbox License, LLC.**, Marlton, NJ (US)

(**) Term: **14 Years**

(21) Appl. No.: **29/368,550**

(22) Filed: **Aug. 25, 2010**

(51) **LOC (9) Cl.** **09-07**

(52) **U.S. Cl.** **D9/434**

(58) **Field of Classification Search** D9/734,
D9/707, 629, 456, 435, 434, 433, 432, 427,
D9/425, 424, 423, 420, 418, 414, 430; D7/354;
D6/518, 515; D3/294, 302; D27/189; 383/42;
220/4.23, 409, 784, 778, 776, 494, 482, 268,
220/265

See application file for complete search history.

(56) **References Cited**

U.S. PATENT DOCUMENTS

D319,780 S *	9/1991	Laaki	D9/707
D394,605 S *	5/1998	Skiba et al.	D9/709
D414,407 S *	9/1999	Simburger et al.	D9/707
D525,144 S *	7/2006	Risgalla	D9/707
D550,569 S *	9/2007	Berman	D9/707
D584,144 S *	1/2009	Mallory	D9/434
D586,232 S *	2/2009	Friebe et al.	D9/707
D602,376 S *	10/2009	Coulson	D9/707
D634,646 S *	3/2011	Belko et al.	D9/709
2011/0017812 A1 *	1/2011	Belko et al.	229/117.27
2011/0017814 A1 *	1/2011	Belko et al.	229/124

* cited by examiner

Primary Examiner — Susan Bennett Hattan

(74) *Attorney, Agent, or Firm* — Michael B. Fein; Cozen O'Connor

(57) **CLAIM**

We claim the ornamental design for a container with heat seal, as shown and described.

DESCRIPTION

FIG. 1 is a front perspective view of a container with heat seal embodying the design of the present invention.

FIG. 2 is a perspective view of the container with heat seal of FIG. 1;

FIG. 3 is a front elevational view of the container with heat seal of FIG. 1;

FIG. 4 is a top elevational view of the container with heat seal of FIG. 1;

FIG. 5 is a bottom elevational view of the container with heat seal of FIG. 1;

FIG. 6 is a left side elevational view of the container with heat seal of FIG. 1; and

FIG. 7 is a right side elevational view of the container with heat seal of FIG. 1.

FIG. 8 is a front perspective view of the container with heat seal of FIG. 1 with the sides in a different position.

FIG. 9 is a perspective view of the container with heat seal of FIG. 8;

FIG. 10 is a front elevational view of the container with heat seal of FIG. 8;

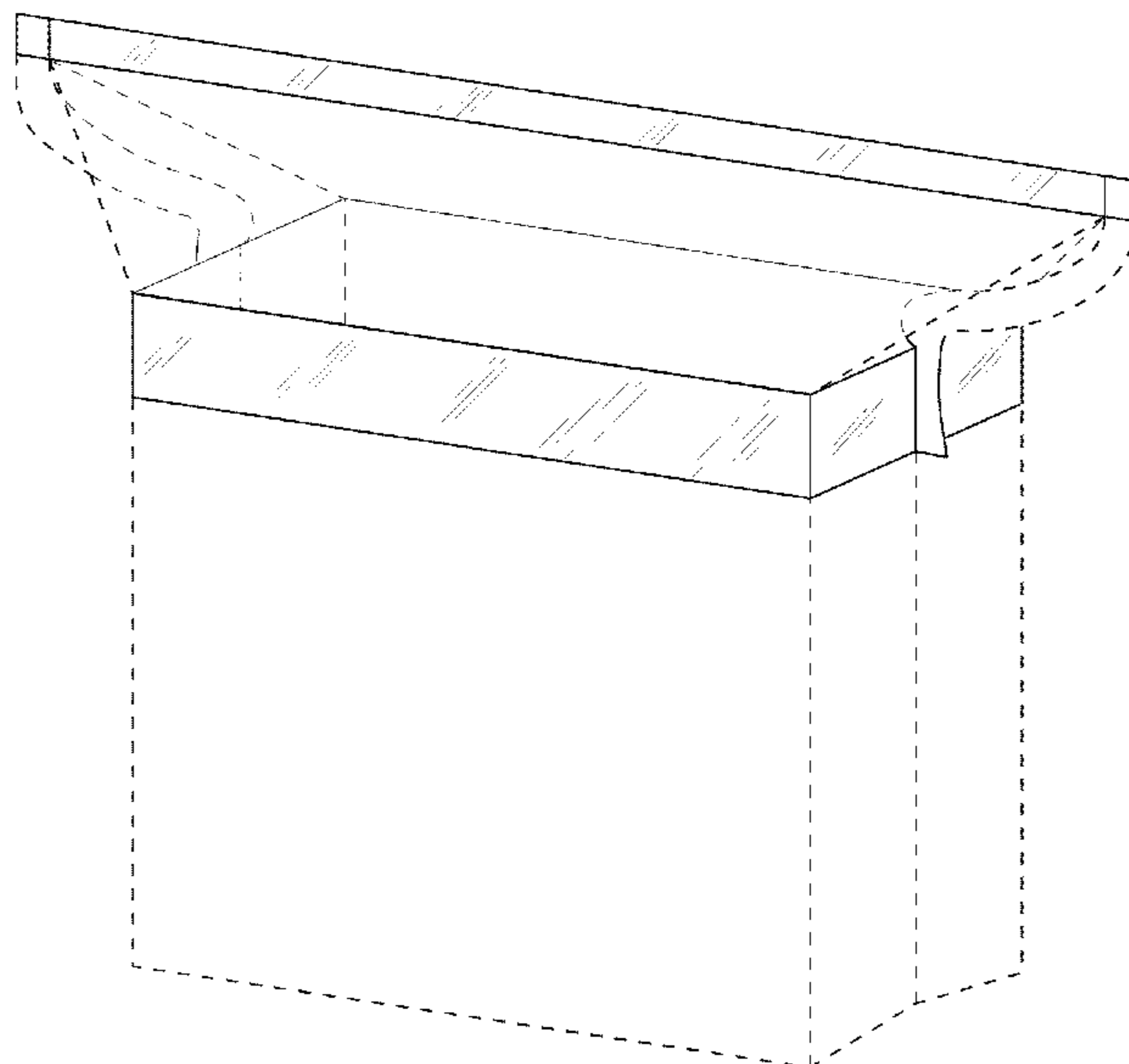
FIG. 11 is a top elevational view of the container with heat seal of FIG. 8;

FIG. 12 is a bottom elevational view of the container with heat seal of FIG. 8;

FIG. 13 is a left side elevational view of the container with heat seal of FIG. 8; and,

FIG. 14 is a right side elevational view of the container with heat seal of FIG. 8.

1 Claim, 10 Drawing Sheets



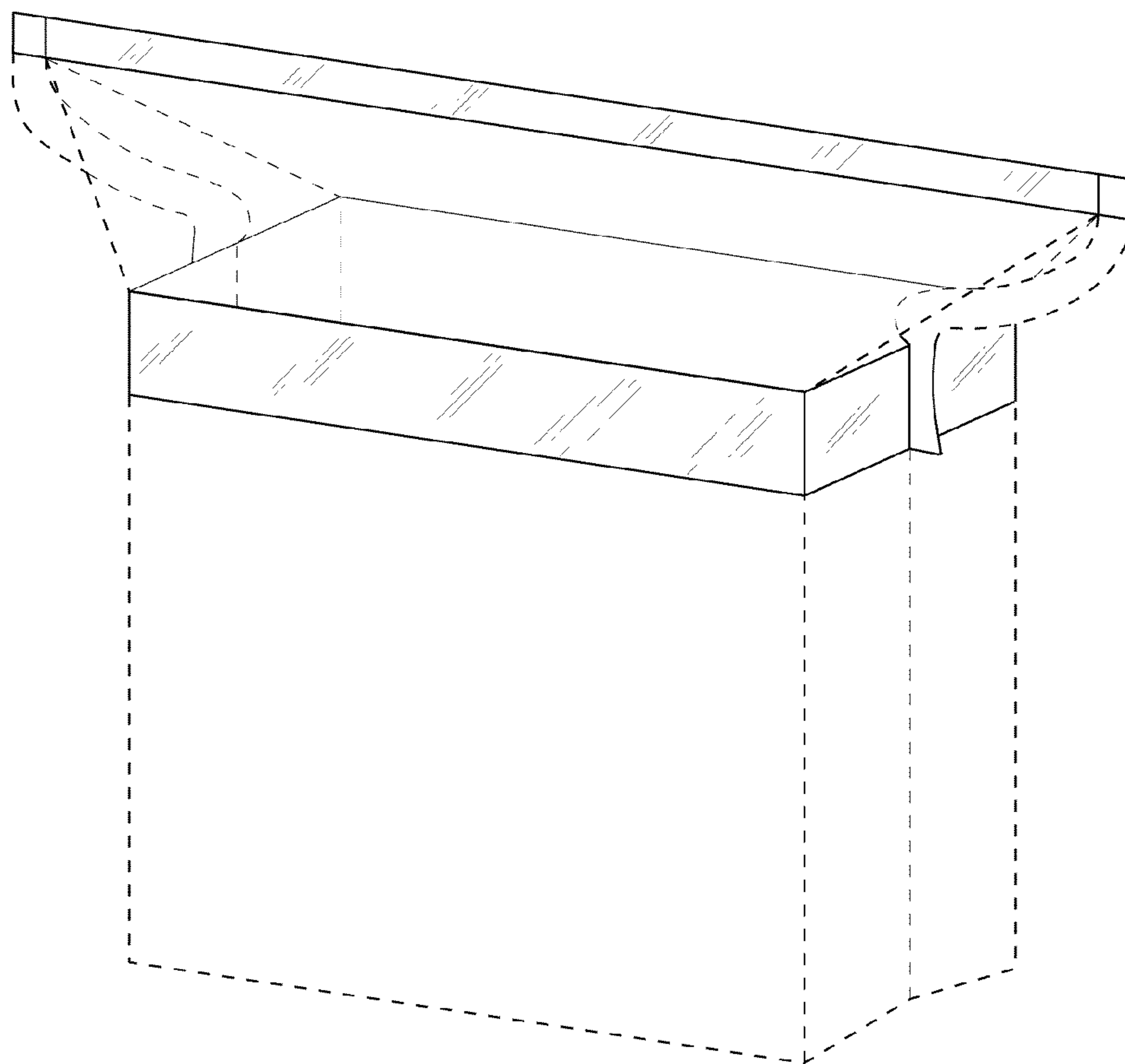


FIG. 1

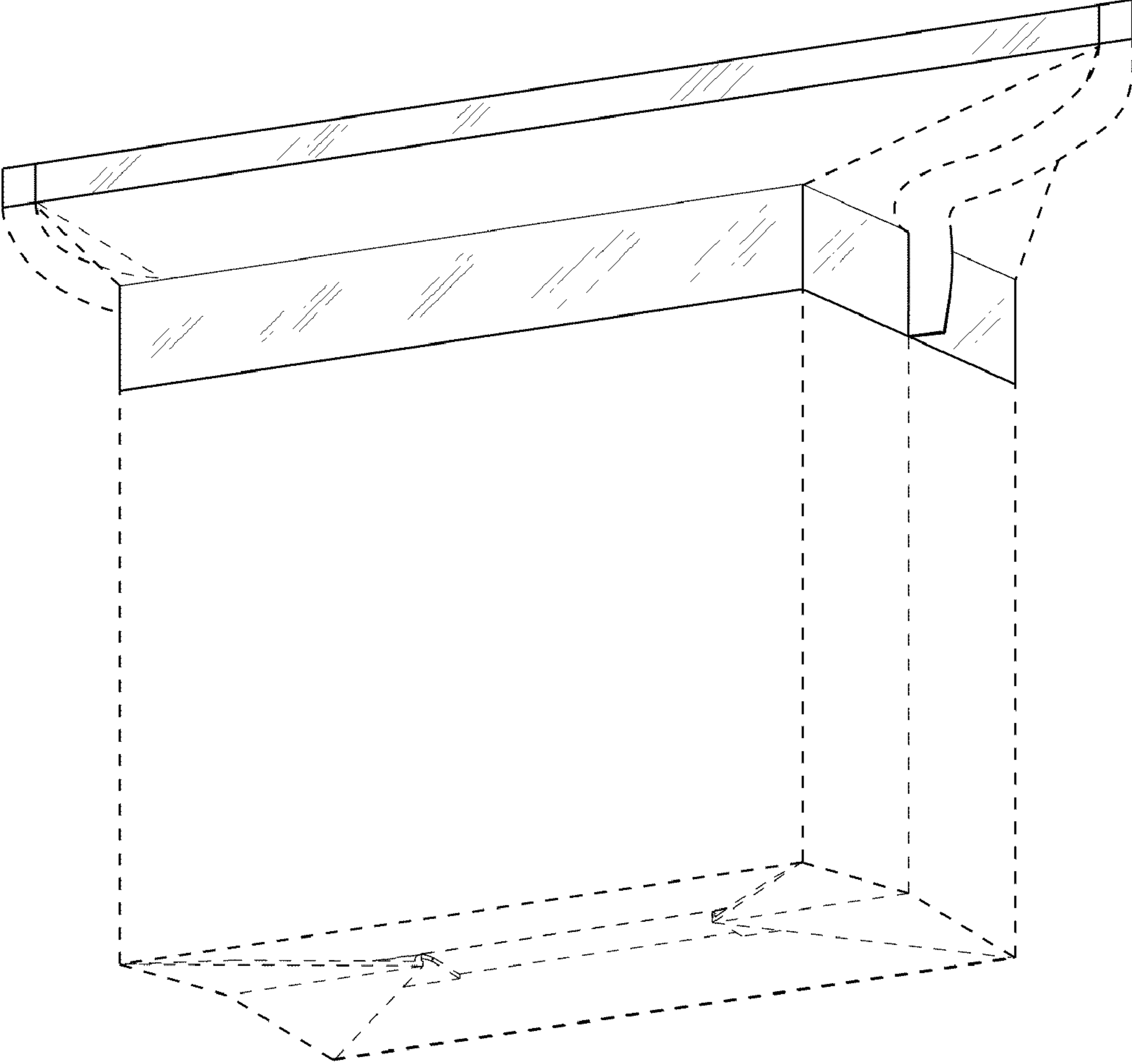


FIG.2

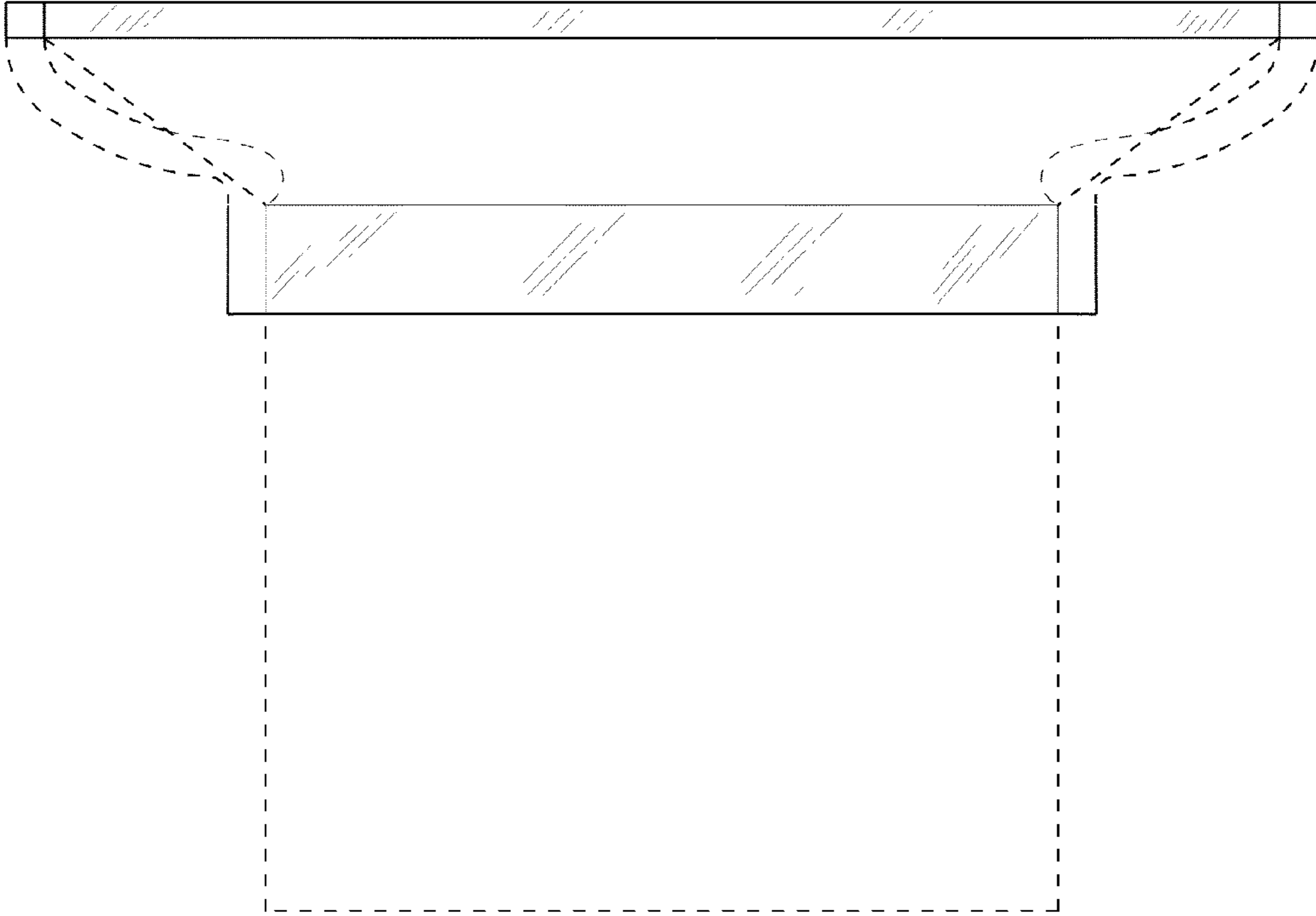


FIG.3

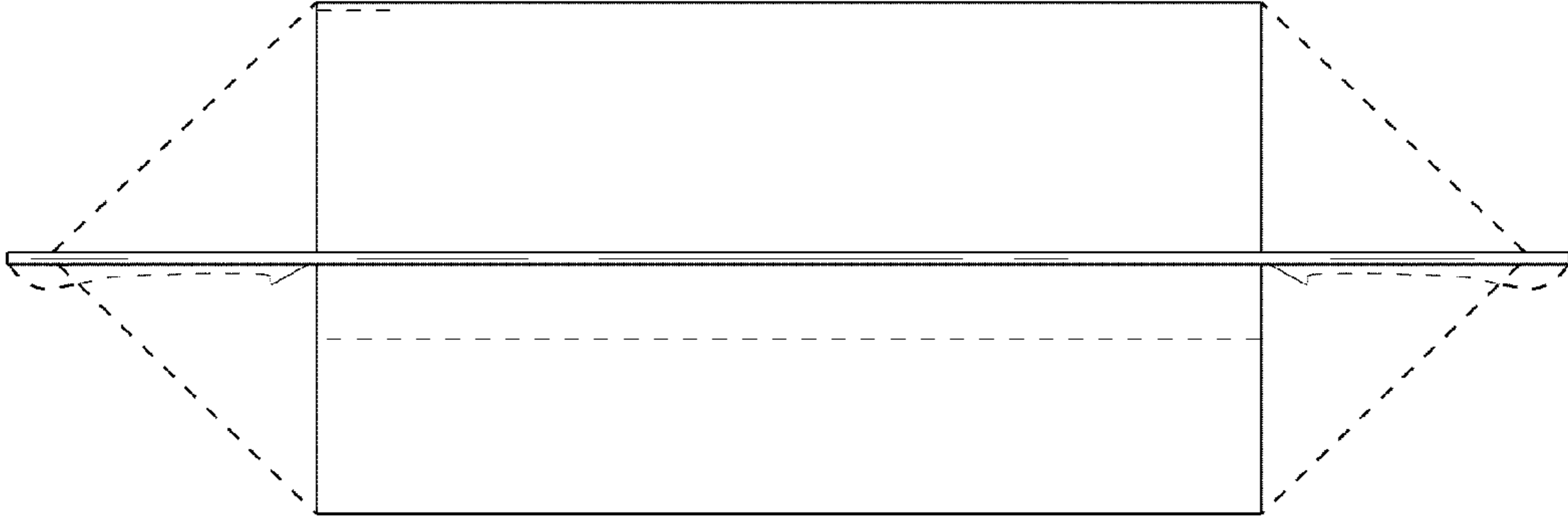


FIG. 4

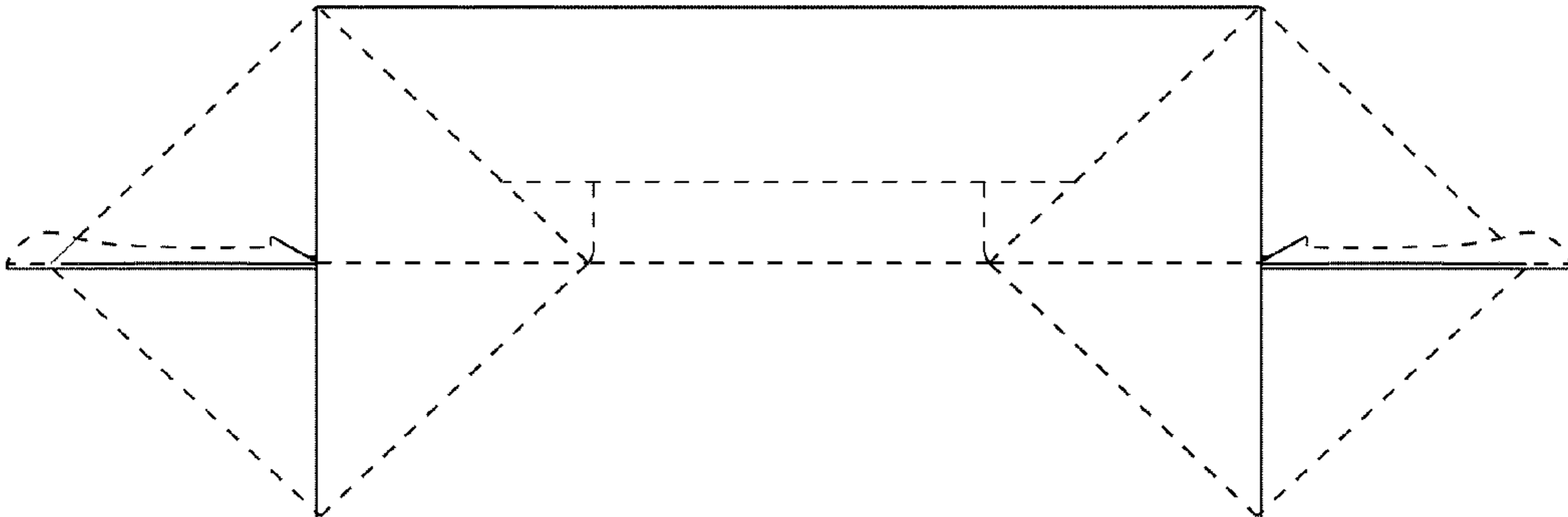


FIG. 5

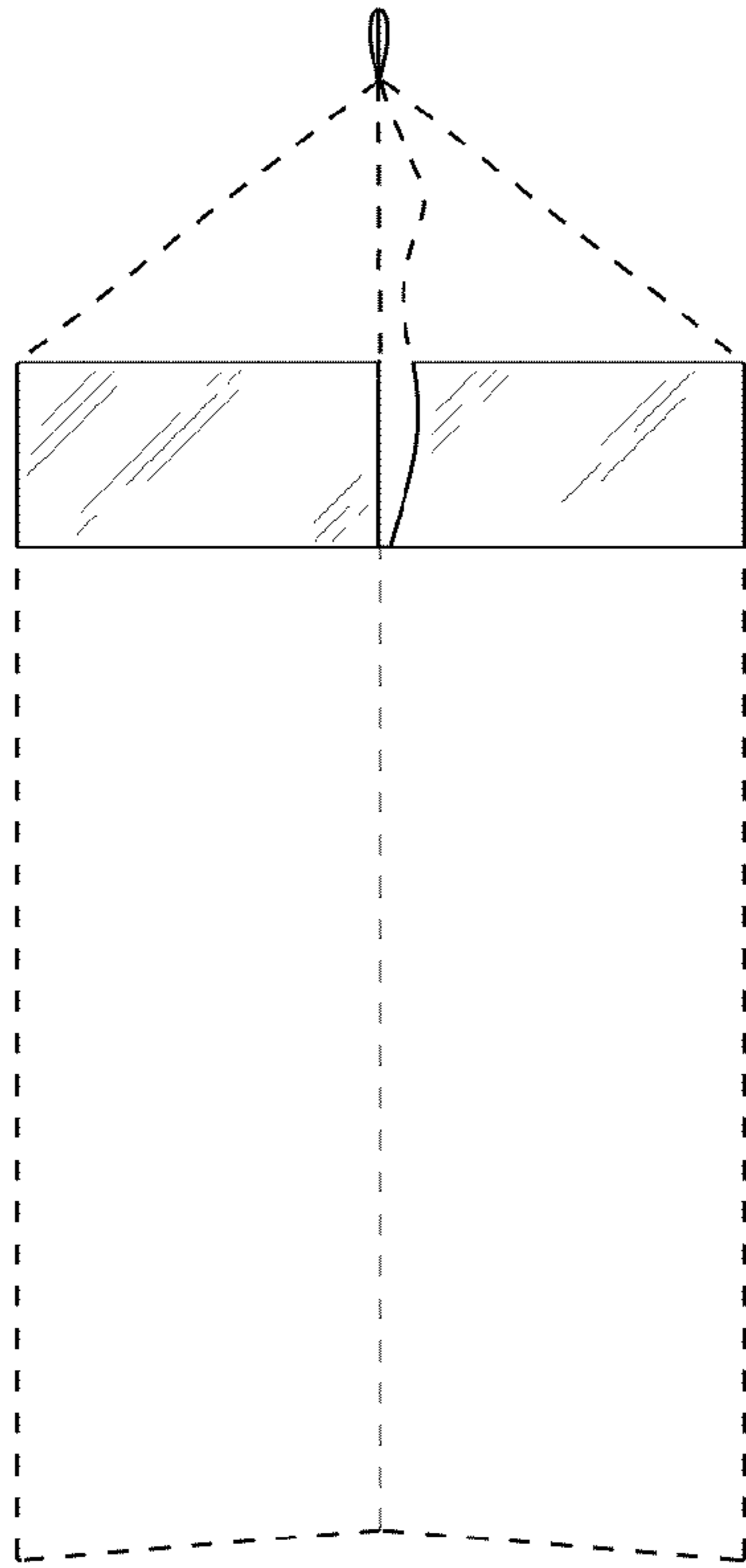


FIG. 6

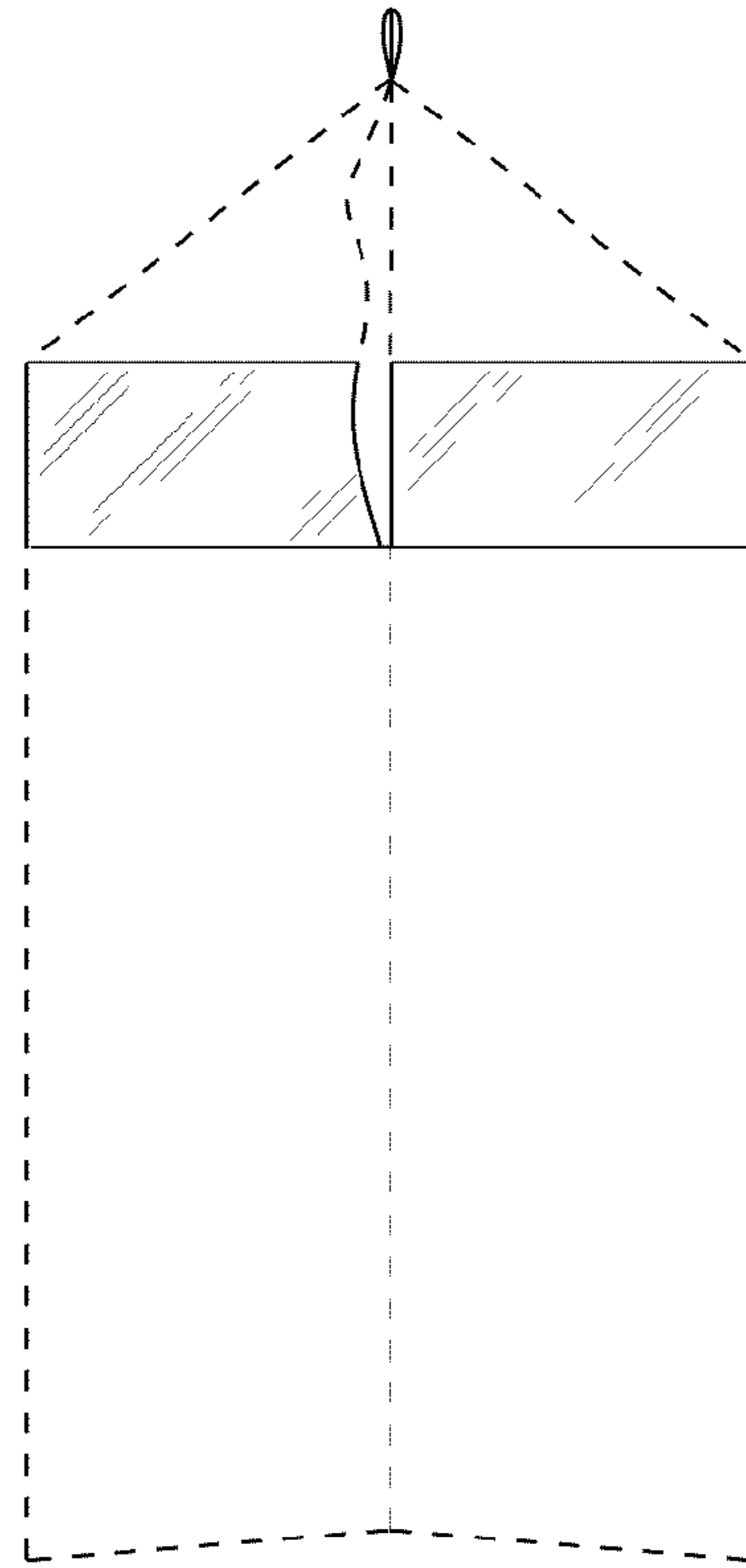


FIG. 7

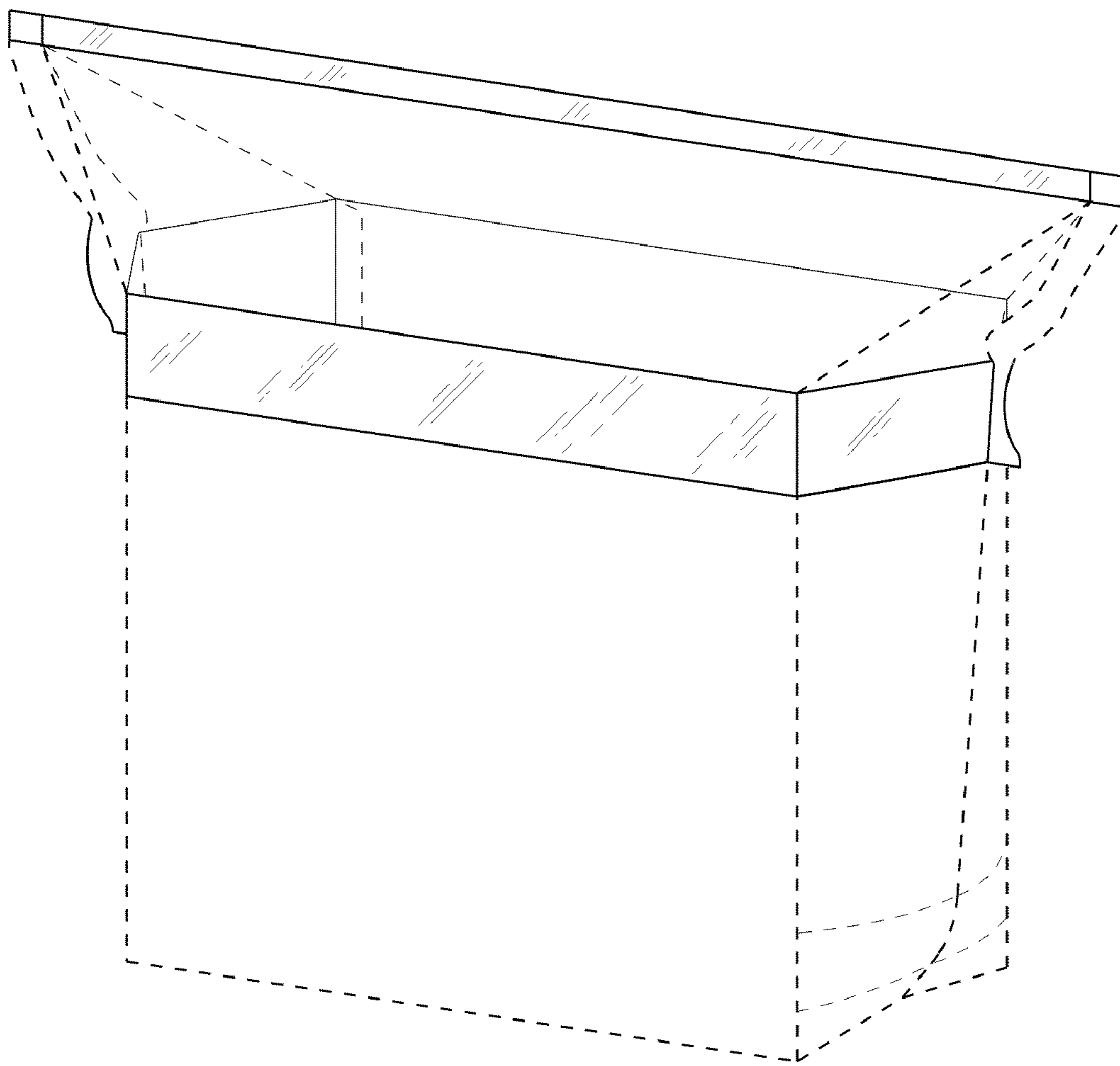


FIG. 8

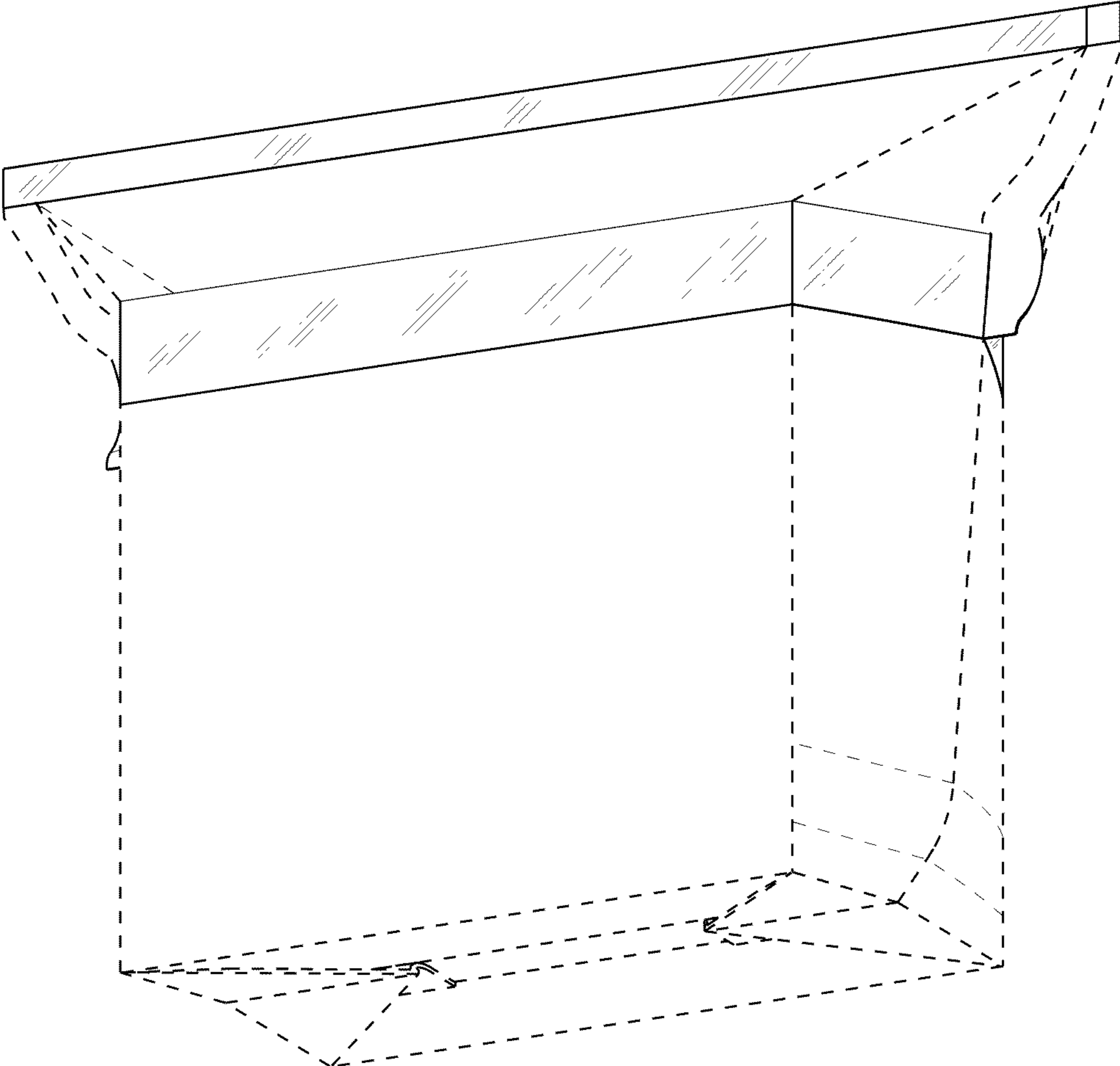


FIG. 9

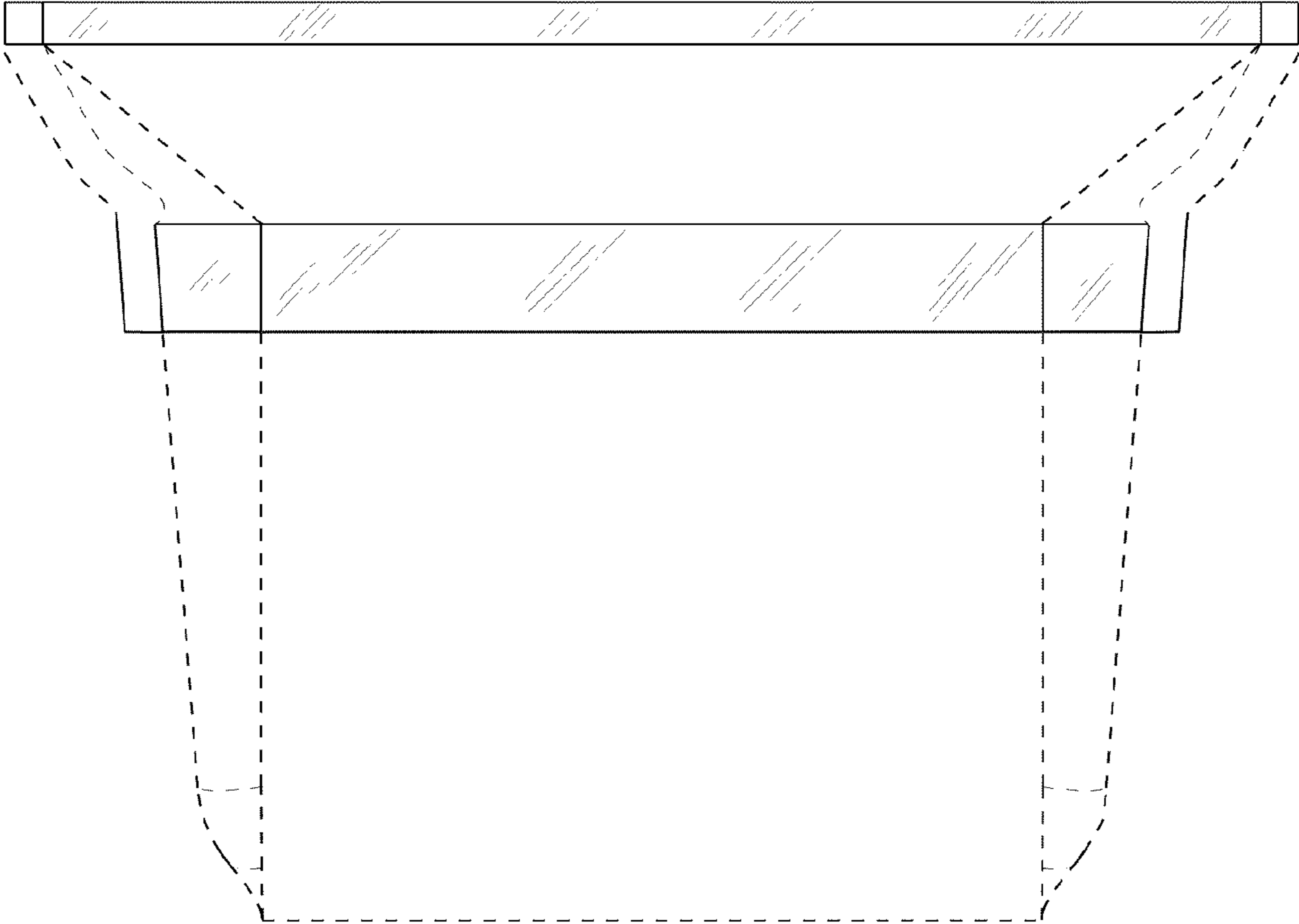


FIG. 10

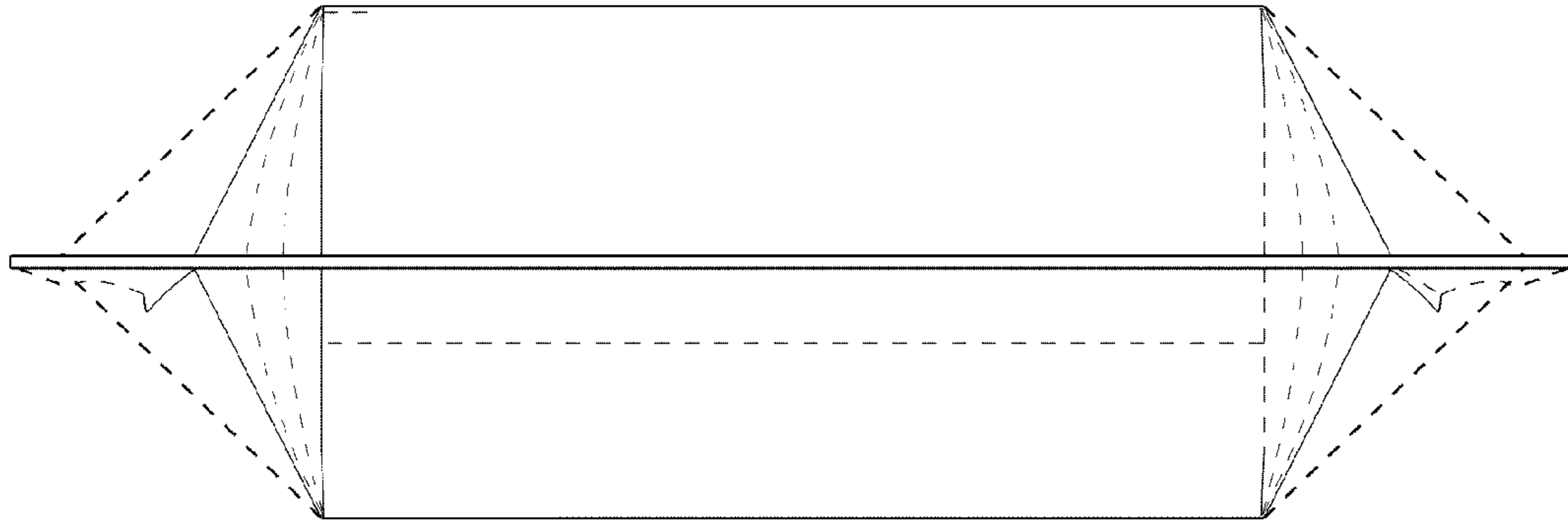


FIG. 11

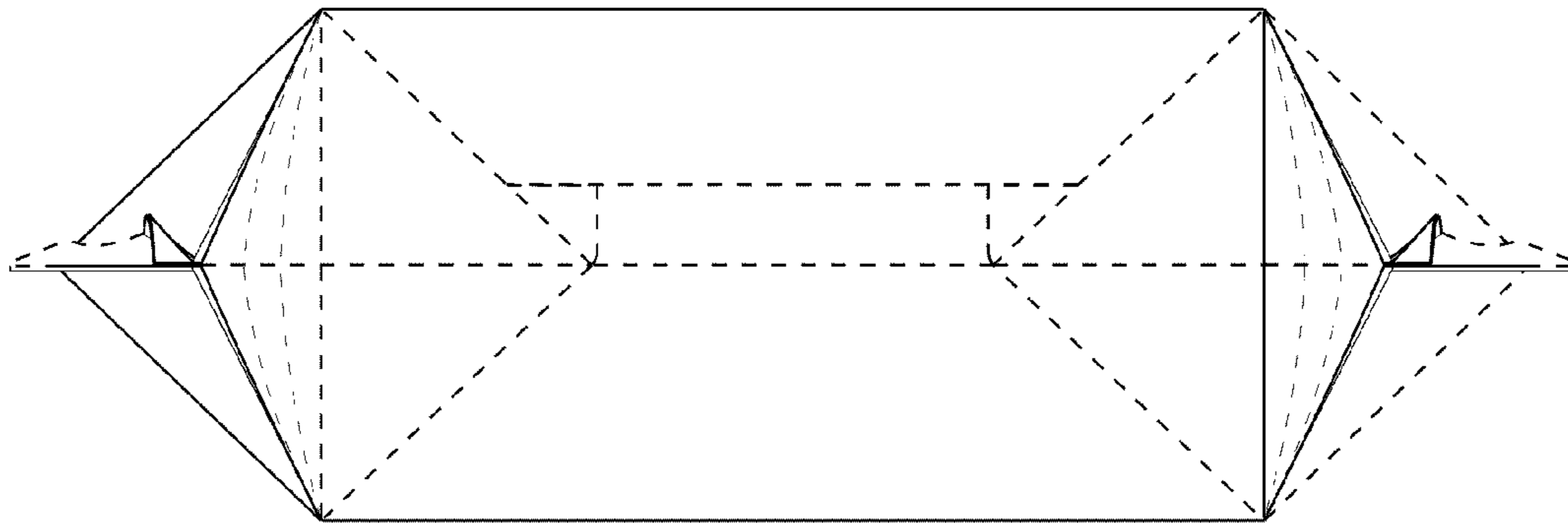


FIG. 12

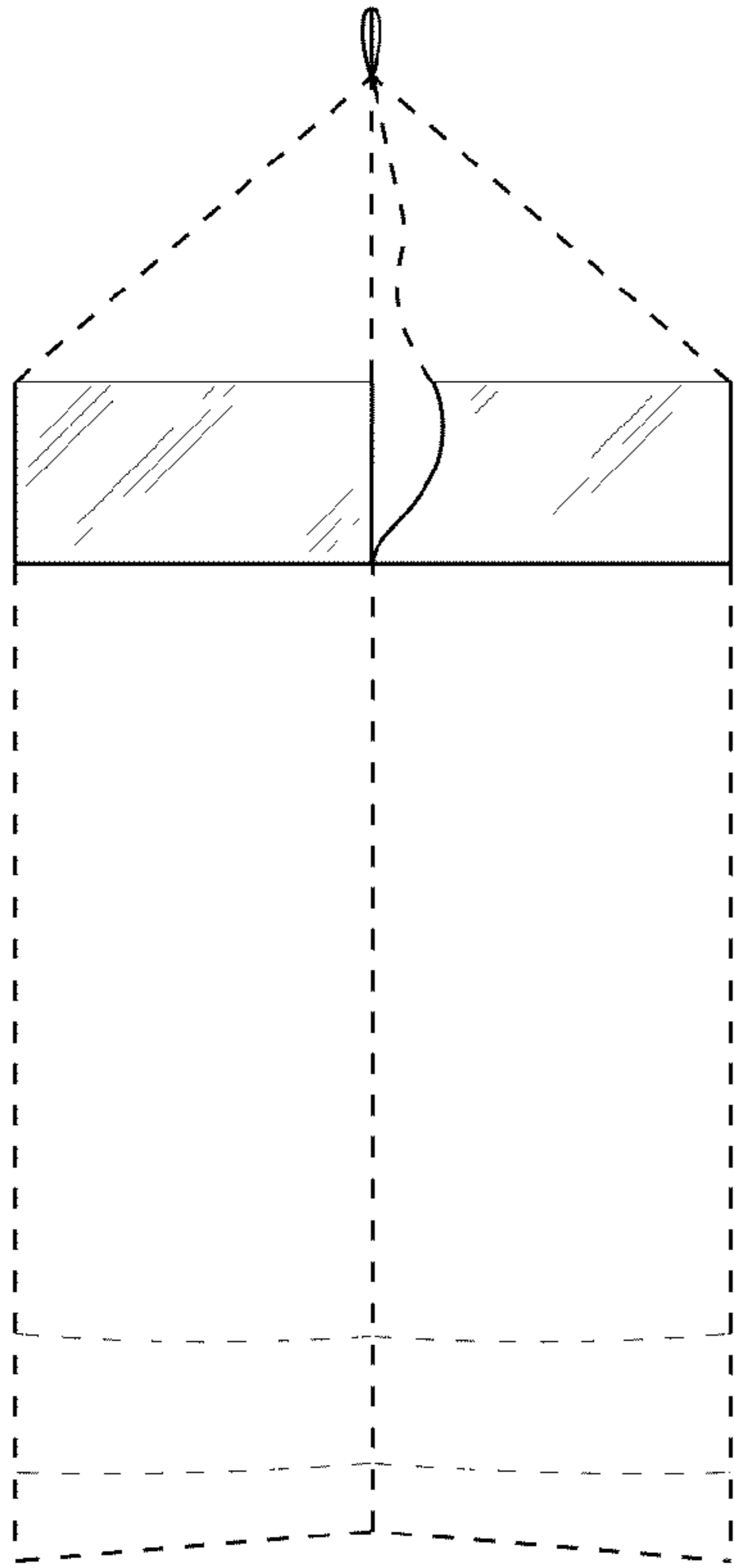


FIG. 13

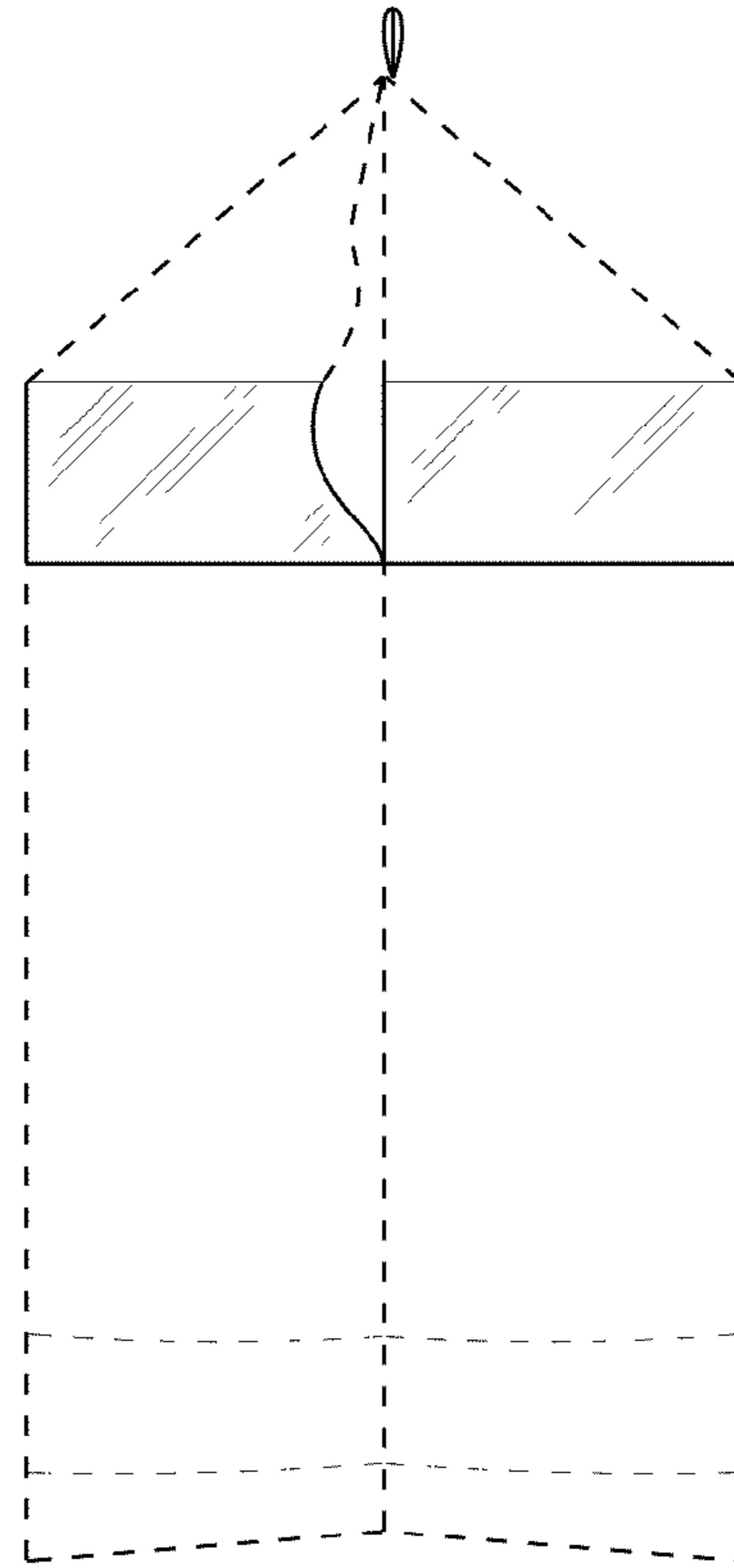


FIG. 14