



US00D643714S

(12) **United States Design Patent**
Daley et al.

(10) **Patent No.:** **US D643,714 S**

(45) **Date of Patent:** **** Aug. 23, 2011**

(54) **LEAKPROOF CARTON**
(75) Inventors: **Todd Anthony Daley**, Northcote (AU);
Wayne Keith Summers, Werribee (AU)

(73) Assignee: **VISY R & D Pty Ltd.**, Southbank,
Victoria (AU)

(**) Term: **14 Years**

(21) Appl. No.: **29/337,688**

(22) Filed: **May 28, 2009**

(30) **Foreign Application Priority Data**

Nov. 28, 2008 (AU) 15639/2008

(51) **LOC (9) Cl.** **09-03**

(52) **U.S. Cl.** **D9/433; D9/432**

(58) **Field of Classification Search** D9/430-433,
D9/414, 418, 420-424; D3/272; 206/267,
206/269, 270, 273, 299, 737, 740, 822; 229/100,
229/101, 101.3, 106, 108-112, 114-117,
229/117.05-117.09, 117.24-117.26, 221,
229/222, 227, 902, 939, 941, 942

See application file for complete search history.

(56) **References Cited**

U.S. PATENT DOCUMENTS

2,166,504 A * 7/1939 Nichols 229/116.5
2,536,530 A * 1/1951 Bergstein 229/172
2,544,101 A * 3/1951 Oxley 229/116.1
3,152,748 A * 10/1964 Desmond et al. 229/117.04
3,276,662 A * 10/1966 Farquhar 229/125.32
D249,022 S * 8/1978 Bamburg et al. D9/431
4,305,543 A * 12/1981 Lai 229/163
D267,476 S * 1/1983 Boedeker et al. D9/433
4,717,070 A * 1/1988 Taub 229/125.28

6,305,600 B1 * 10/2001 Hirschey et al. 229/164.2
D455,076 S * 4/2002 Gumper D9/433
6,776,746 B2 * 8/2004 Taylor 493/68
2007/0051789 A1 * 3/2007 Panduro et al. 229/175

* cited by examiner

Primary Examiner — Karen S Acker

(74) *Attorney, Agent, or Firm* — Rothwell, Figg, Ernst &
Manbeck, P.C.

(57) **CLAIM**

The ornamental design for leakproof carton, as shown and
described.

DESCRIPTION

FIG. 1 is a top plan view of the leakproof carton showing the
design unfolded. The bottom plan view is a mirror image
thereof.

FIG. 2 is a perspective view of the leakproof carton showing
the assembled flap ready for assembly upon the carton. The
opposite sides of the flap and the carton are mirror images
thereof.

FIG. 3 is a perspective view of the leakproof carton assembled
together. The opposite sides of the flap and the carton are
mirror images thereof.

FIG. 4 is a perspective view of the leakproof carton shown in
FIG. 1 showing the design folded. The opposite side is a
mirror image thereof.

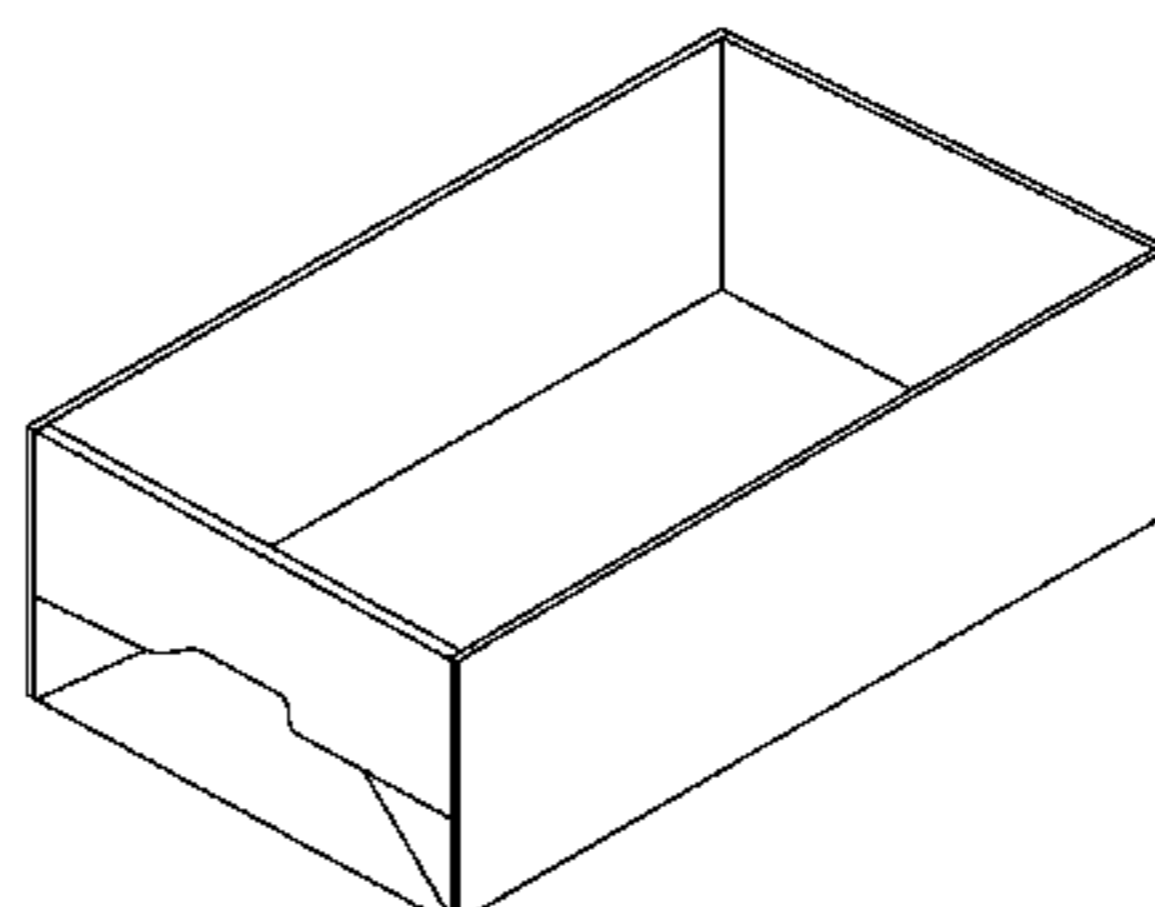
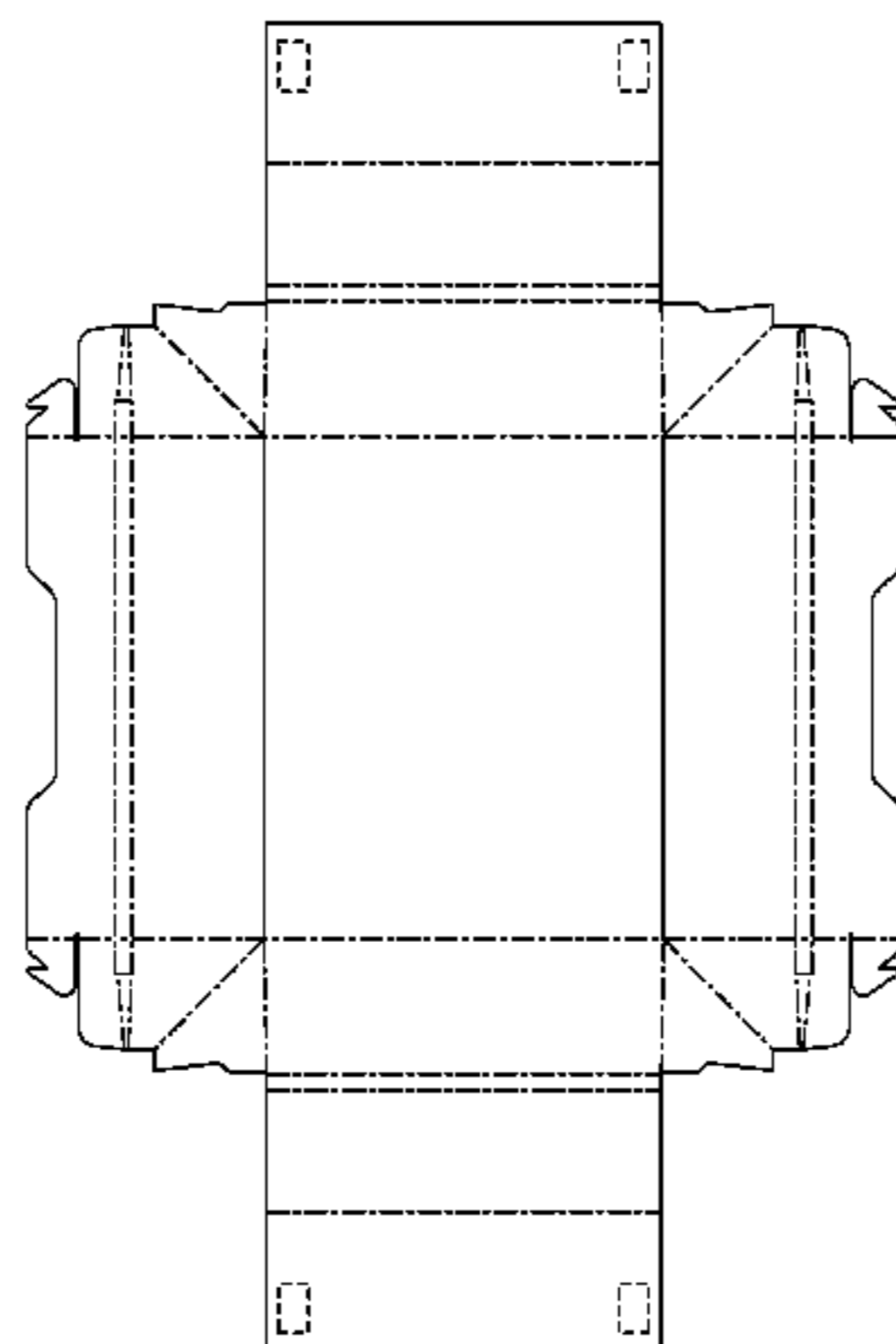
FIG. 5 is a side view of the leakproof carton shown in FIG. 1.
The opposite side is a mirror image thereof; and,

FIG. 6 is an end view of the leakproof carton shown in FIG. 1.
The opposite side is a mirror image thereof.

The fold lines shown in FIGS. 1, 2, and 3 by broken lines are
fold lines and form part of the claim.

The broken lines in the figures represent unclaimed environ-
mental subject matter.

1 Claim, 5 Drawing Sheets



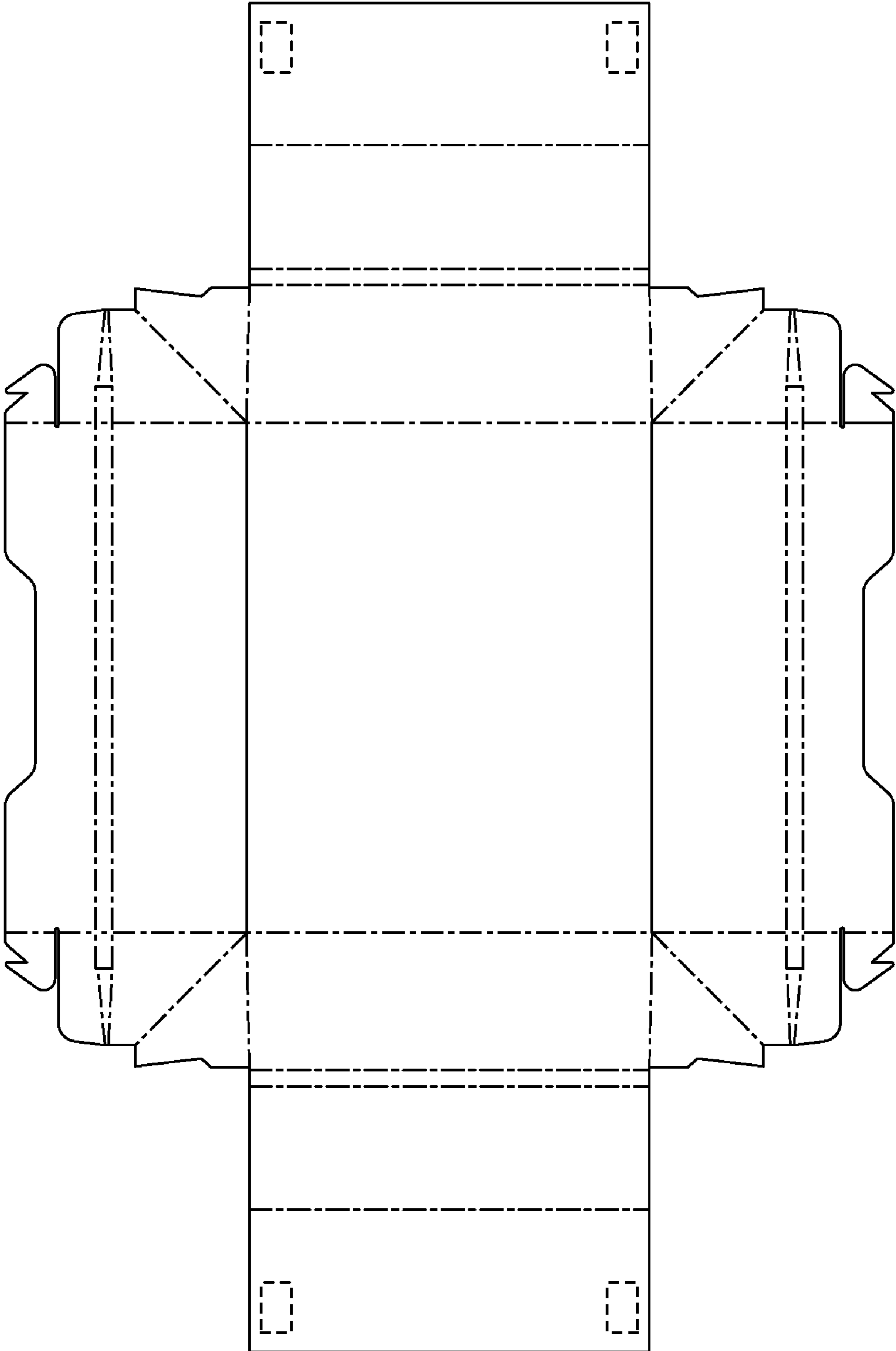


FIG. 1

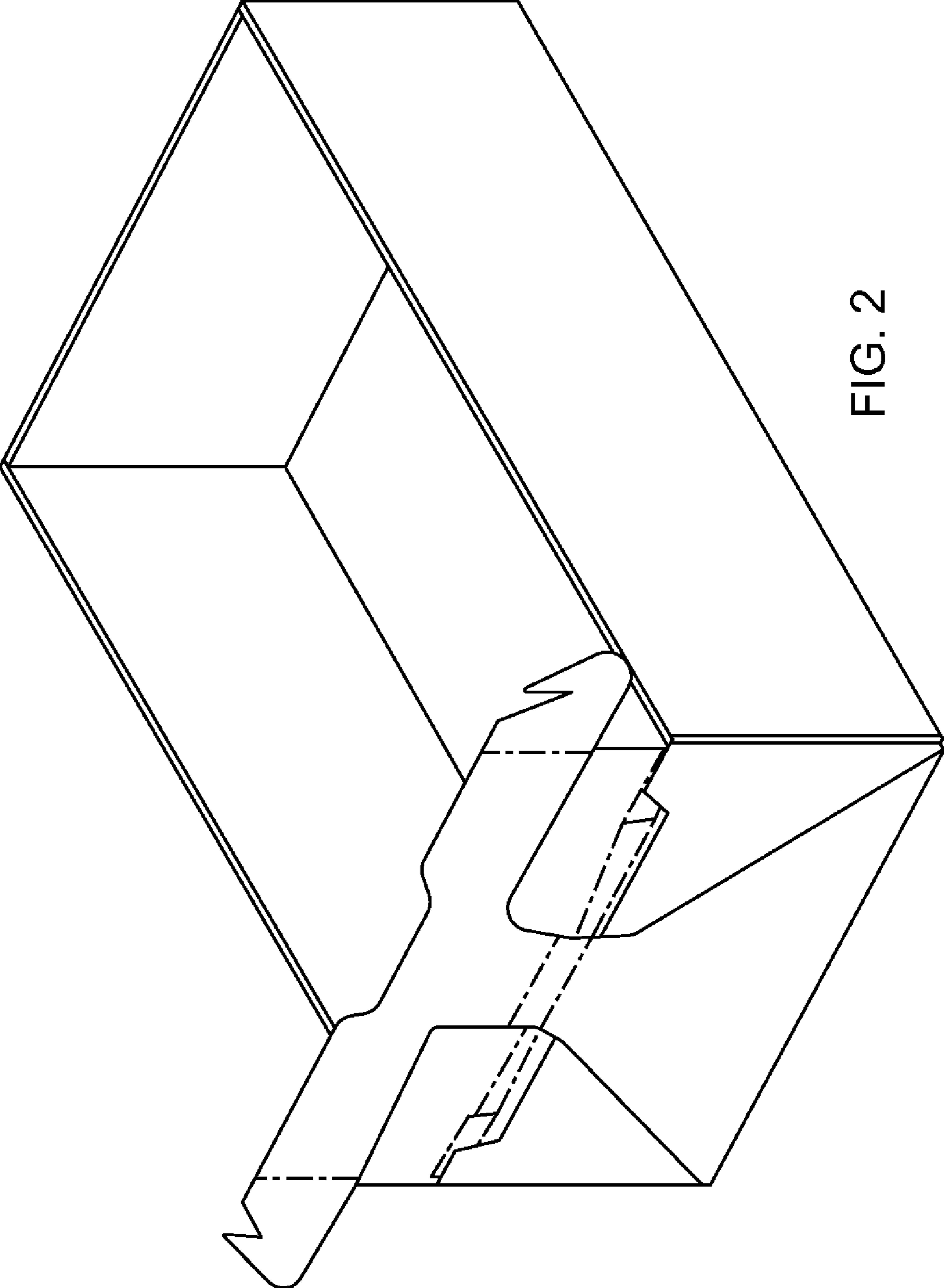


FIG. 2

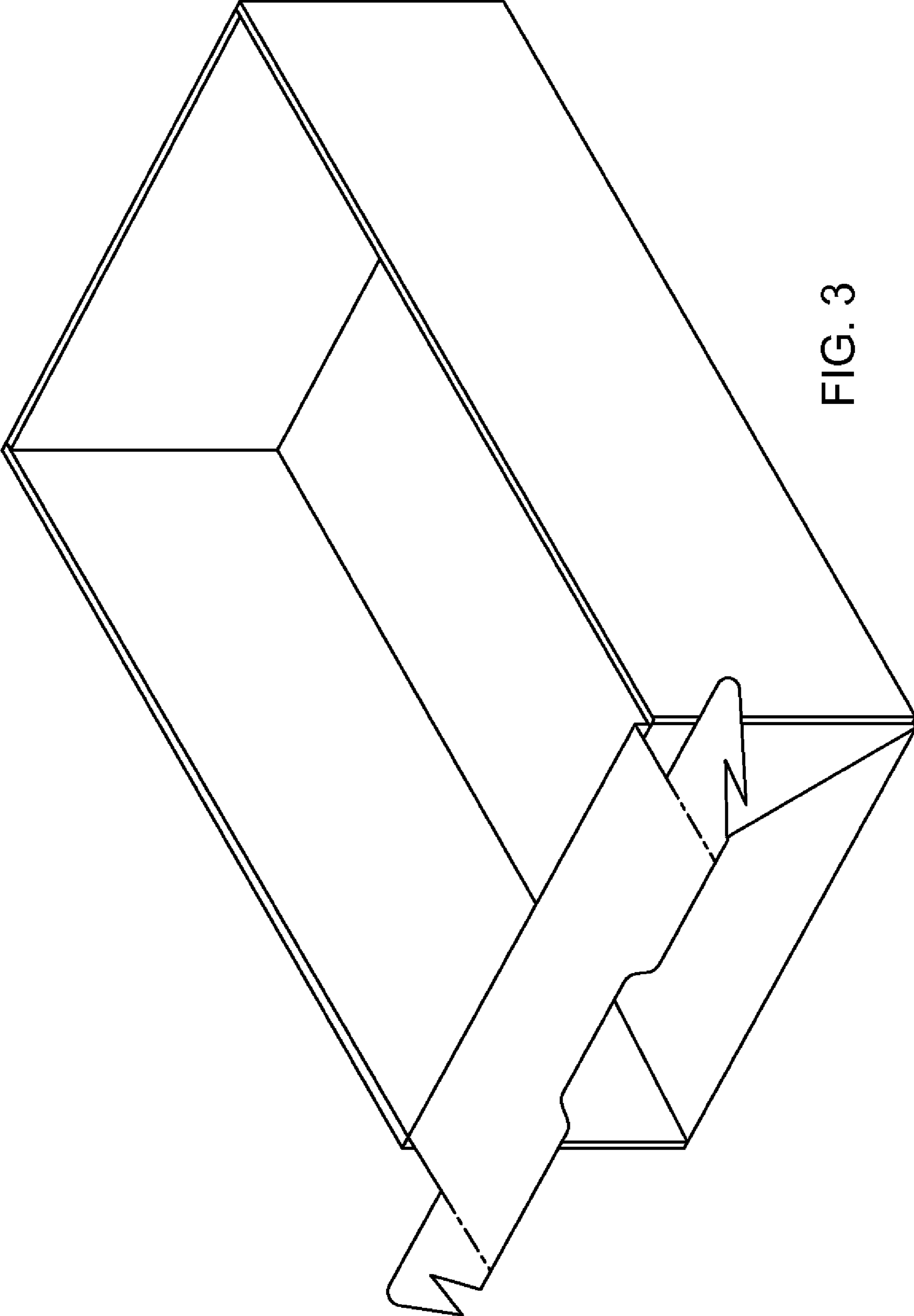


FIG. 3

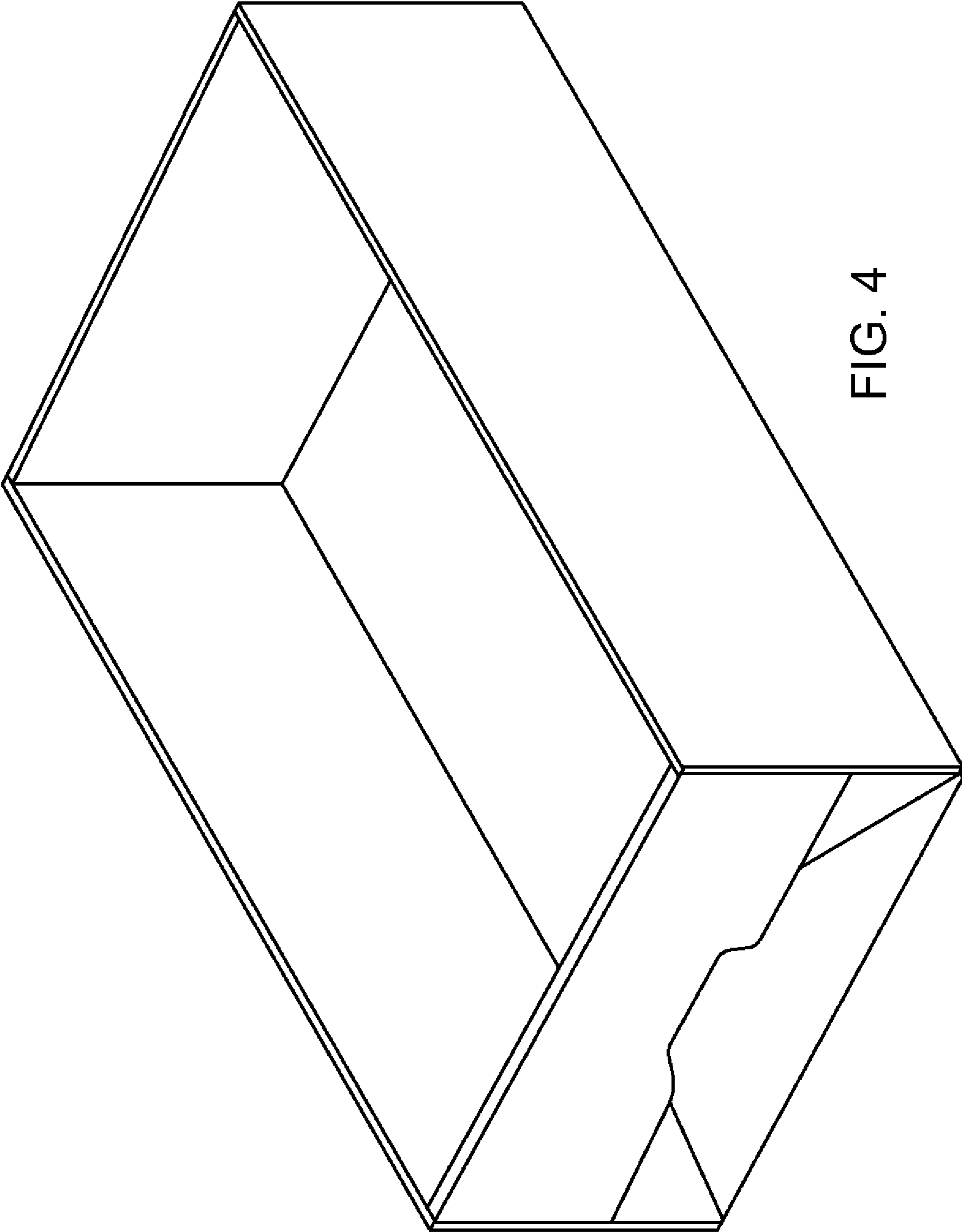


FIG. 4



FIG. 5



FIG. 6