



US00D643713S

(12) **United States Design Patent**
Lawrence et al.

(10) **Patent No.:** **US D643,713 S**

(45) **Date of Patent:** **** *Aug. 23, 2011**

(54) **CONTAINER AND LID**

(75) Inventors: **Gary W Lawrence**, Villa Park, IL (US);
Roman Forowycz, Lake Forest, IL (US)

(73) Assignee: **Clear Lam Packaging, Inc.**, Elk Grove
Village, IL (US)

(*) Notice: This patent is subject to a terminal dis-
claimer.

(**) Term: **14 Years**

(21) Appl. No.: **29/357,641**

(22) Filed: **Mar. 15, 2010**

(51) **LOC (9) Cl.** **09-03**

(52) **U.S. Cl.** **D9/430; D9/431; D9/432**

(58) **Field of Classification Search** D9/414,
D9/419, 424, 425, 430, 431, 432, 761; D7/538,
D7/549, 550.1, 601-603, 605, 629; 229/105,
229/117.09, 117.26, 189, 406, 407, 902,
229/905, 915.1; 220/23.4, 23.6, 266, 281,
220/315, 318, 500, 659, 669, 674, 675, 696,
220/752, 760, 790, 793, DIG. 12, FOR. 117;
206/499, 508, 557; D3/276

See application file for complete search history.

(56) **References Cited**

U.S. PATENT DOCUMENTS

D205,868 S	9/1966	Immermann et al.	
D205,968 S	10/1966	Bostrom	
3,394,861 A	7/1968	Truax	
D212,593 S	11/1968	Collie	
D212,594 S *	11/1968	Collie	D9/425
3,424,342 A *	1/1969	Scopp et al.	220/793
D213,310 S *	2/1969	Collie	D9/425
3,447,714 A *	6/1969	Elliot	206/1.5
3,589,554 A	6/1971	Smith	
3,863,832 A	2/1975	Gordon et al.	
D272,971 S	3/1984	Tallon	
D275,165 S	8/1984	Grusin	
D279,952 S	8/1985	Daenen et al.	

D280,964 S	10/1985	Wolff	
D281,048 S	10/1985	Wolff	
D281,229 S	11/1985	Tyler	
D282,808 S	3/1986	Daenen et al.	
D283,481 S	4/1986	Schmidt	
D284,253 S	6/1986	Carlson	
D284,254 S	6/1986	Carlson	
D286,729 S	11/1986	Tzifkansky et al.	
4,700,842 A	10/1987	Grusin	
4,787,527 A	11/1988	Monetti	
4,819,824 A	4/1989	Longbottom et al.	
4,976,370 A	12/1990	Cassel	
D317,569 S	6/1991	Lane, Sr.	
D319,978 S *	9/1991	Wolff	D9/431
D325,847 S	5/1992	Wolff	

(Continued)

OTHER PUBLICATIONS

U.S. Appl. No. 29/357,640, filed Mar. 15, 2010, Lawrence et al.

(Continued)

Primary Examiner — Thomas J Johannes

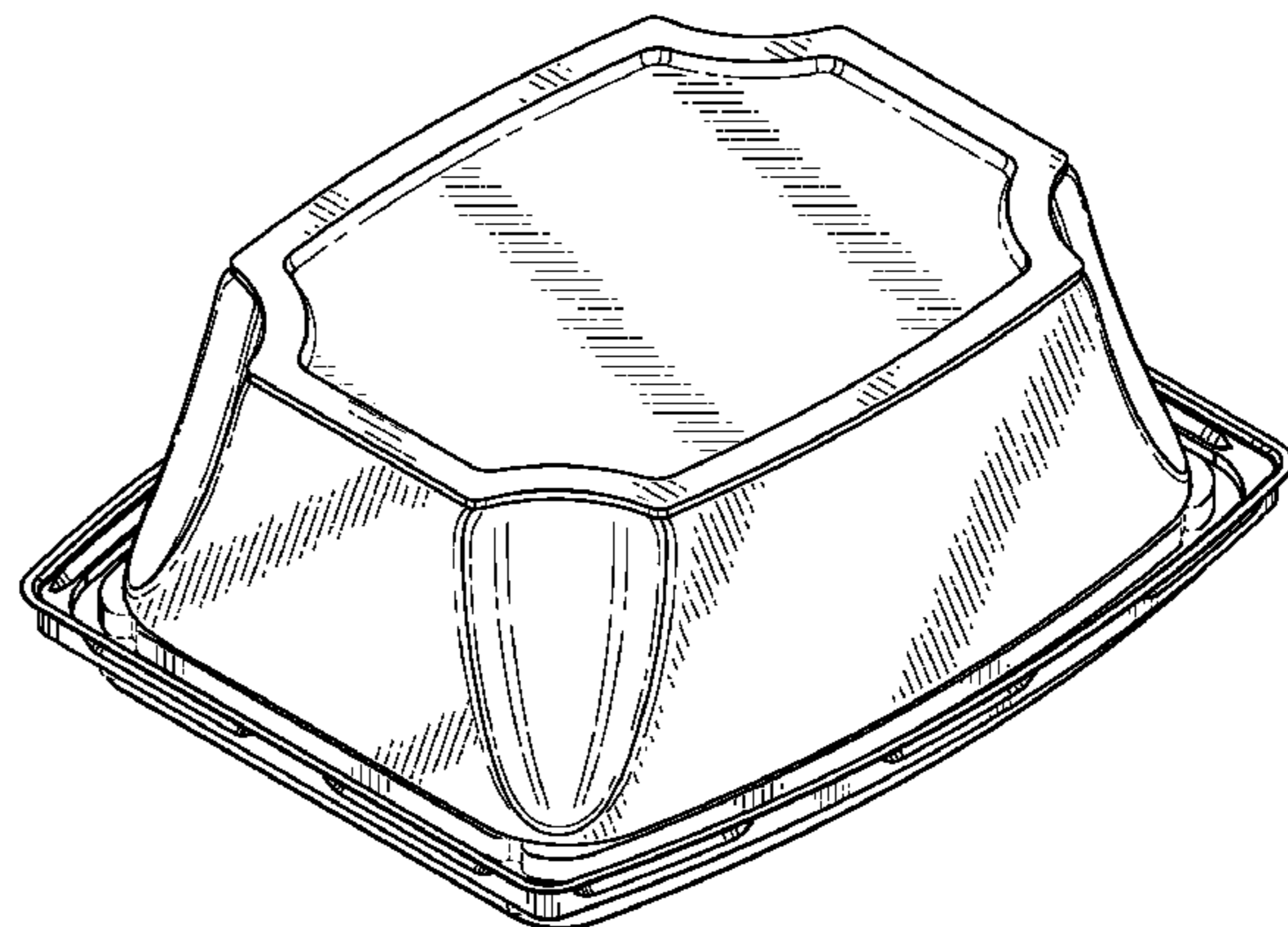
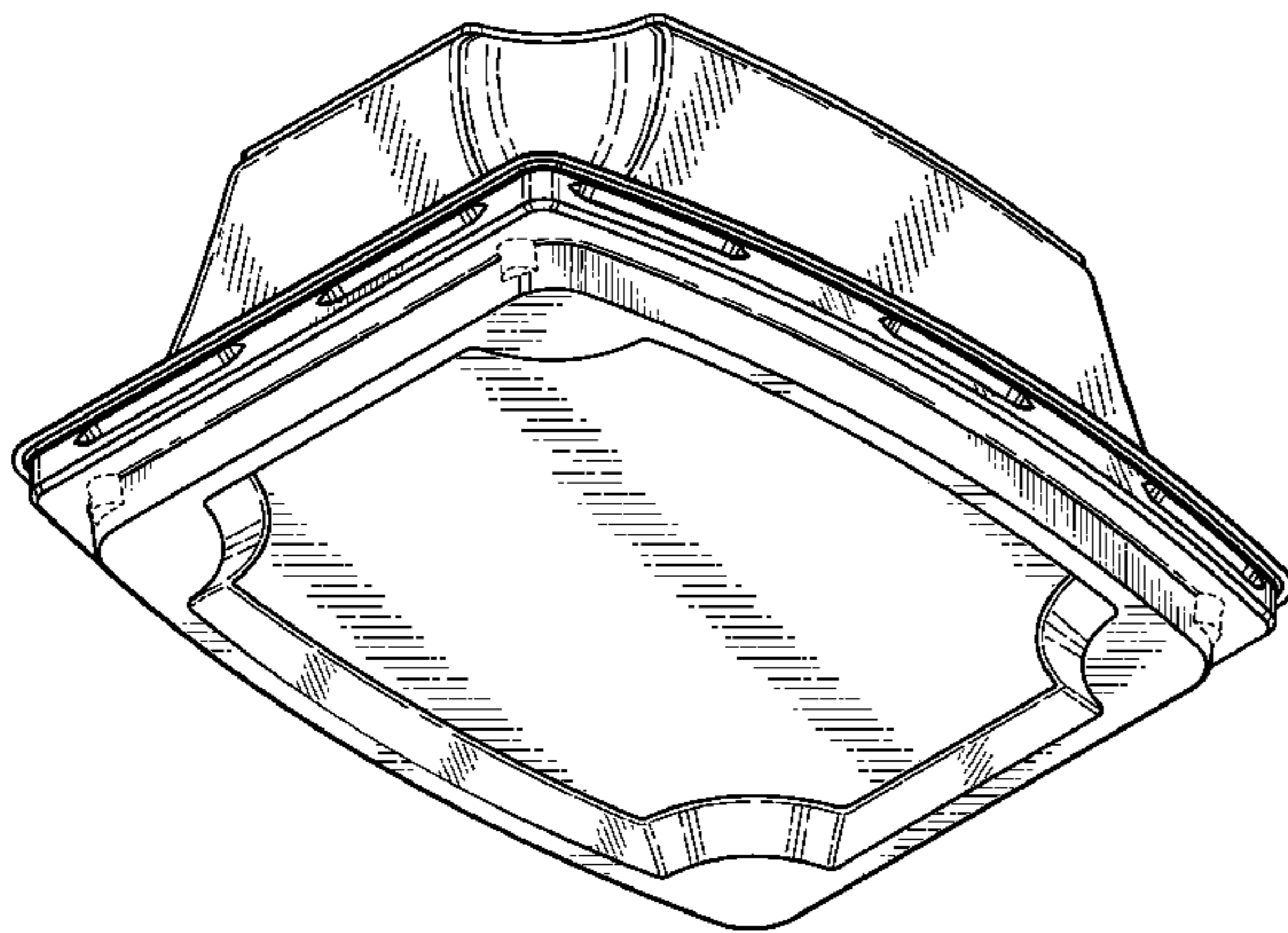
(57) **CLAIM**

An ornamental design for a container and lid, as shown and
described.

DESCRIPTION

FIG. 1 is an inverted, top perspective view of a container
showing our new design;
FIG. 2 is a bottom perspective view thereof;
FIG. 3 is a top plan view thereof;
FIG. 4 is a bottom plan view thereof;
FIG. 5 is an inverted, left side elevation view thereof;
FIG. 6 is a right side view thereof;
FIG. 7 is an inverted, front side elevation view thereof; and,
FIG. 8 is a back side elevation view thereof.
The broken line portion of FIGS. 1, 3, 5, 6, 7, and 8 is included
to show unclaimed subject matter only and forms no part of
the claimed design.

1 Claim, 5 Drawing Sheets



US D643,713 S

Page 2

U.S. PATENT DOCUMENTS

D330,490 S	10/1992	Turner		D469,665 S	2/2003	Pettaweebuncha
D330,830 S	11/1992	Baranyai et al.		D479,401 S	9/2003	Claypool
D330,996 S	11/1992	Smith et al.		D479,442 S	9/2003	Bergas
D332,204 S	1/1993	Carlson		D479,673 S	9/2003	Kim
D334,114 S	3/1993	Narsutis		D479,954 S	9/2003	Kim
D348,394 S	7/1994	Dreyer		D480,929 S	10/2003	Douglas
D348,805 S	7/1994	Cautereels		D481,910 S	11/2003	Kim
D350,880 S	9/1994	VanValkenburg et al.		D483,622 S	12/2003	Kim
D351,090 S	10/1994	Narsutis		D484,367 S	12/2003	Kim
D357,161 S	4/1995	Booten		D490,278 S	5/2004	Welsh
5,409,126 A	4/1995	DeMars		D496,560 S	9/2004	Lerner
D365,251 S	12/1995	Lo		D505,840 S	6/2005	Schultz et al.
D366,397 S	1/1996	Zimmerman		D509,111 S	9/2005	Vovan
D367,211 S	2/1996	Cautereels		D509,411 S	9/2005	Laib et al.
D367,609 S	3/1996	Frank et al.		D509,995 S	9/2005	Laib et al.
D372,174 S	7/1996	Arduini		D511,942 S	11/2005	Laib et al.
D373,953 S	9/1996	Gale		D512,278 S *	12/2005	Schultz et al. D7/629
D374,155 S *	10/1996	Feer et al.	D7/602	D513,376 S	1/2006	Shannon
D377,739 S	2/1997	Carlson		D521,812 S	5/2006	Kim
D378,039 S	2/1997	Ferris		D526,857 S	8/2006	Littmann
D379,138 S	5/1997	Carlson		D529,798 S	10/2006	Snedden et al.
D380,349 S	7/1997	Indekeu		D530,198 S	10/2006	Snedden et al.
D381,560 S	7/1997	Indekeu		D533,080 S	12/2006	Darin
D384,247 S	9/1997	Smith et al.		D534,039 S	12/2006	Laib et al.
D386,042 S	11/1997	Miller		D539,100 S	3/2007	Zhao
D392,881 S	3/1998	Bulcher et al.		D540,192 S	4/2007	Darin
D403,924 S	1/1999	Carlson		D541,598 S	5/2007	Kim
D415,935 S	11/1999	Martinez		D544,762 S	6/2007	Zimmerman
D418,415 S	1/2000	Hayes et al.		D546,632 S	7/2007	Oberloier
D418,716 S	1/2000	Haley		D551,515 S	9/2007	Ablo et al.
D420,859 S	2/2000	Loew et al.		D553,444 S	10/2007	De Groote et al.
D428,310 S	7/2000	Zettle et al.		D557,993 S	12/2007	Stamper et al.
D429,464 S *	8/2000	Helms	D9/431	D559,042 S	1/2008	De Groote et al.
D437,685 S	2/2001	Liu		D562,640 S	2/2008	Tucker et al.
D440,470 S	4/2001	Tucker et al.		D566,482 S	4/2008	Tucker et al.
D443,184 S	6/2001	Maxwell et al.		D566,484 S	4/2008	George
D443,798 S	6/2001	Tucker et al.		D588,451 S *	3/2009	Snedden et al. D9/425
D445,649 S	7/2001	Maxwell et al.		D593,369 S *	6/2009	Green et al. D7/602
D446,085 S	8/2001	Dretzka		2004/0118737 A1 *	6/2004	Welsh et al. 206/508
D449,495 S	10/2001	Tucker et al.				
D455,321 S	4/2002	Jung et al.				
D458,085 S	6/2002	Kim				
D467,128 S	12/2002	Thonis et al.				
D469,314 S	1/2003	Thonis et al.				

OTHER PUBLICATIONS

U.S. Appl. No. 29/357,639, filed Mar. 15, 2010, Lawrence et al.
 U.S. Appl. No. 29,357,642, filed Mar. 15, 2010, Lawrence et al.
 U.S. Appl. No. 29/357,643, filed Mar. 15, 2010, Lawrence et al.

* cited by examiner

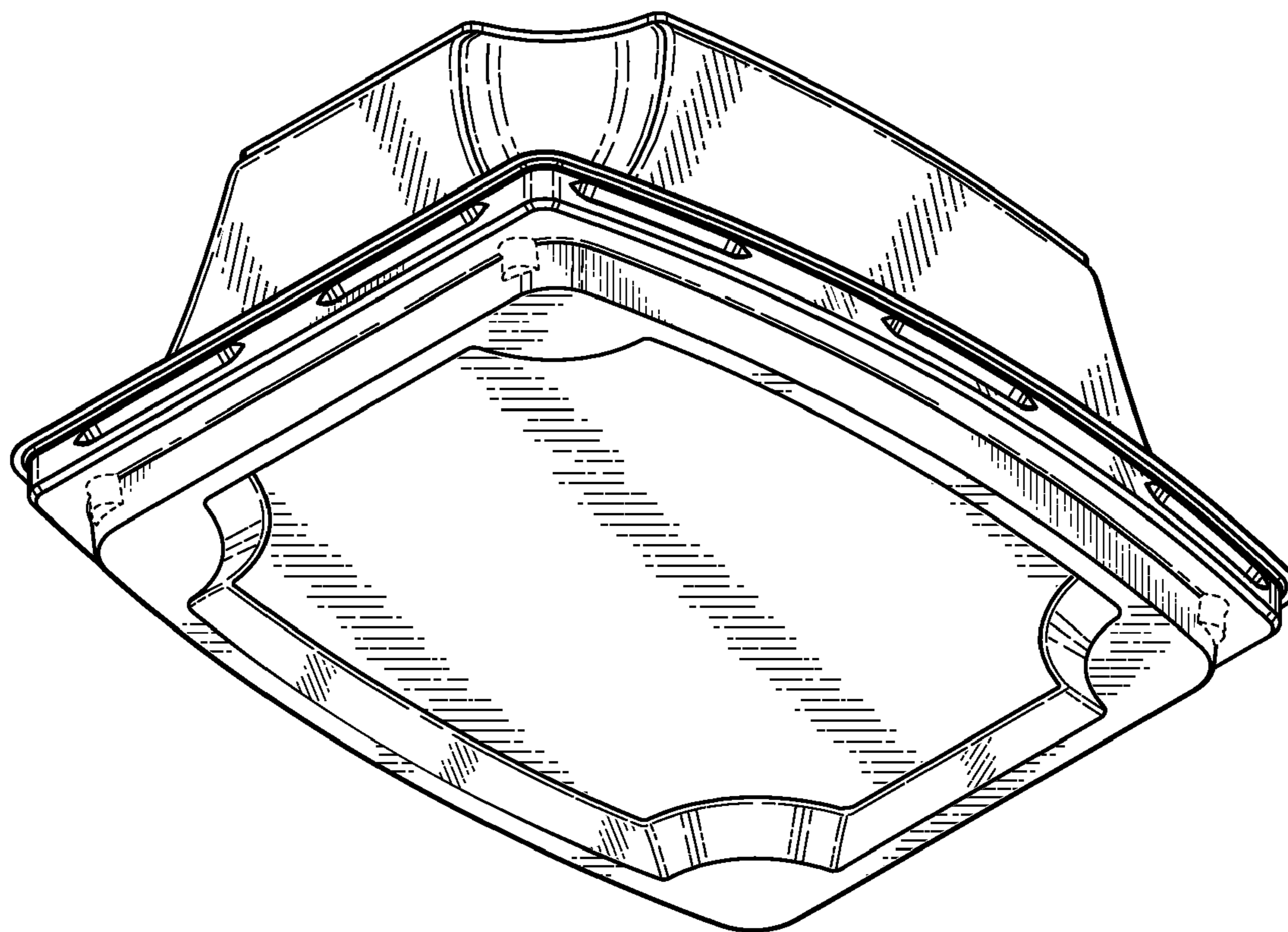


FIG. 1

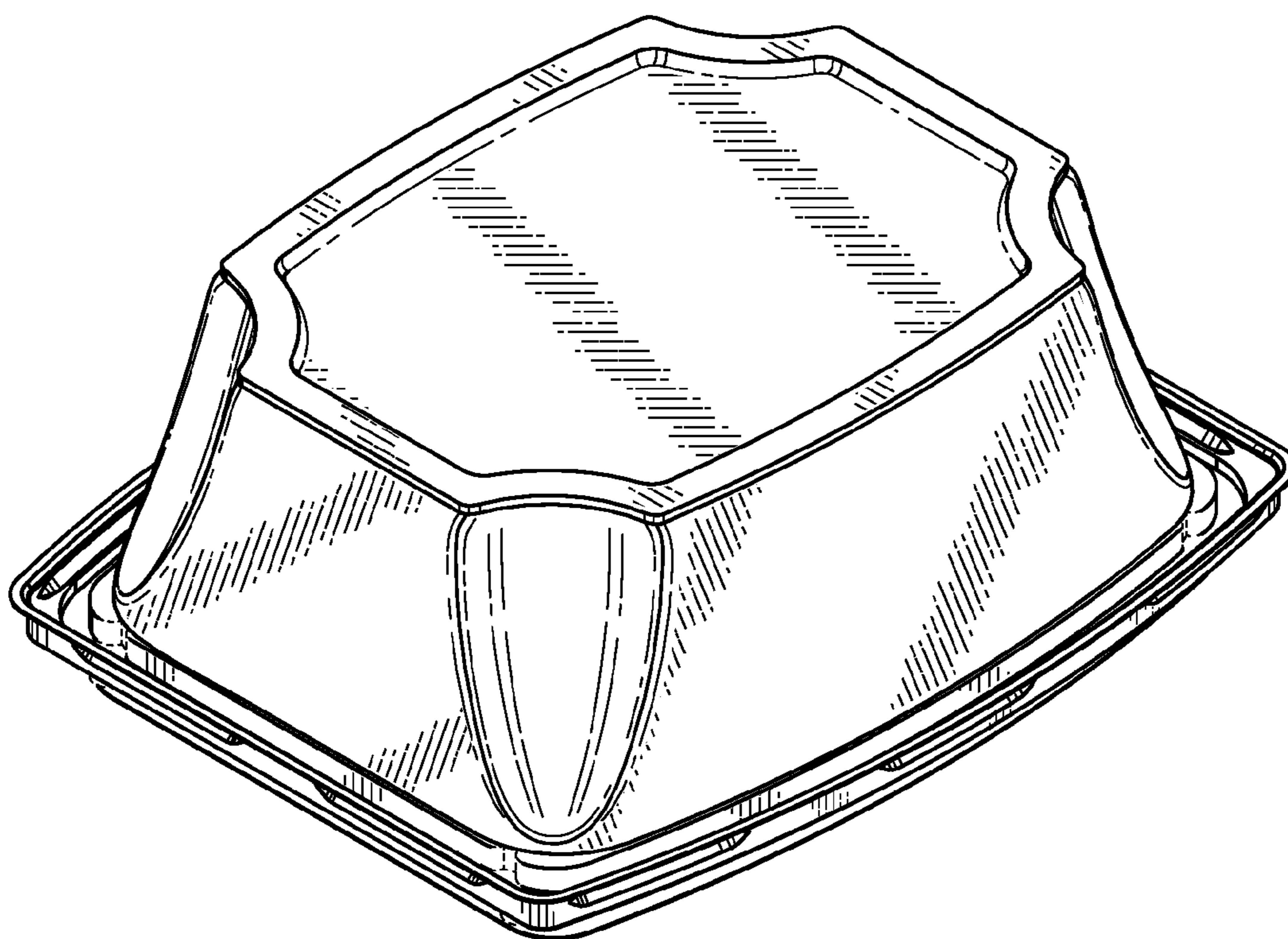


FIG. 2

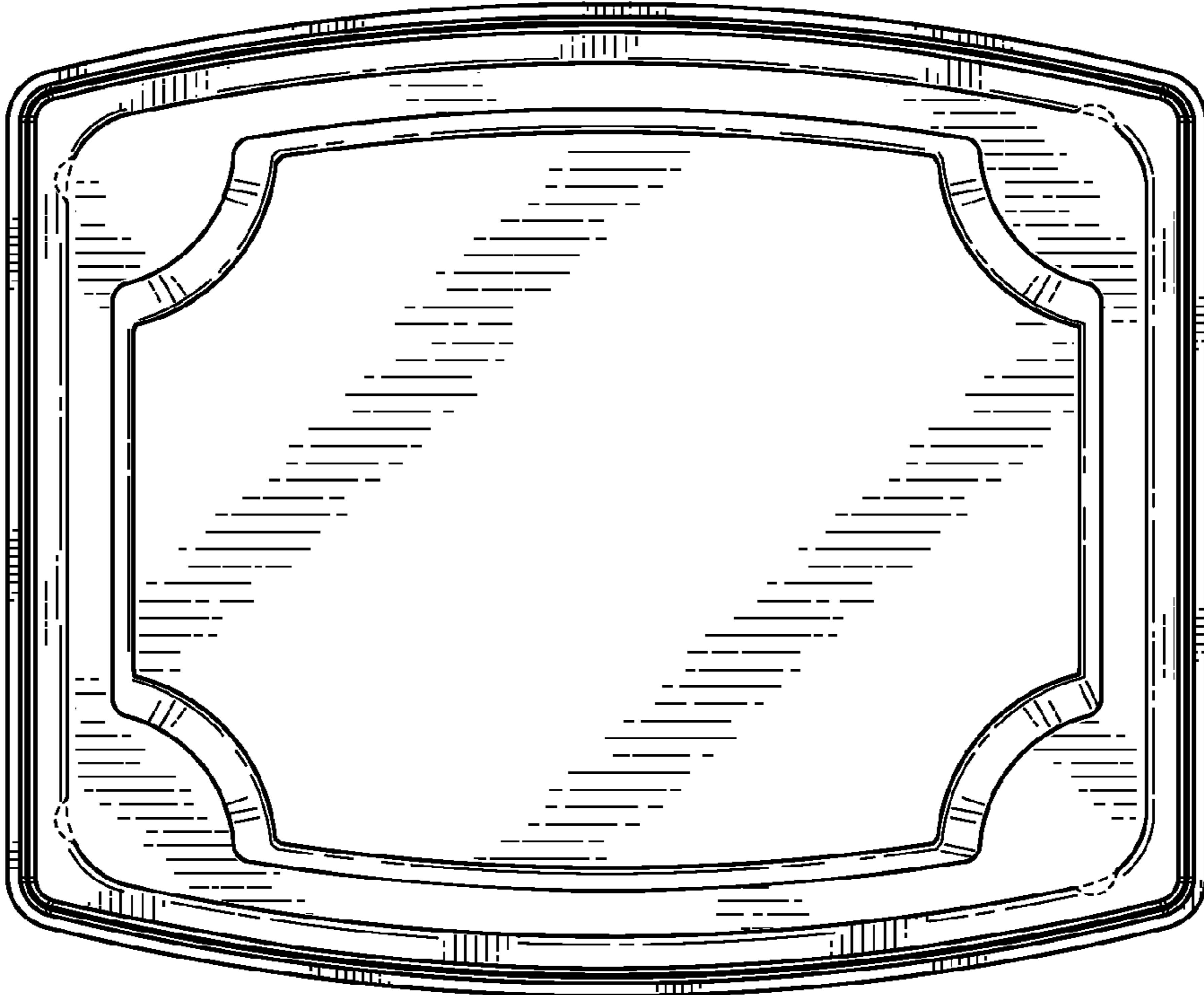


FIG. 3

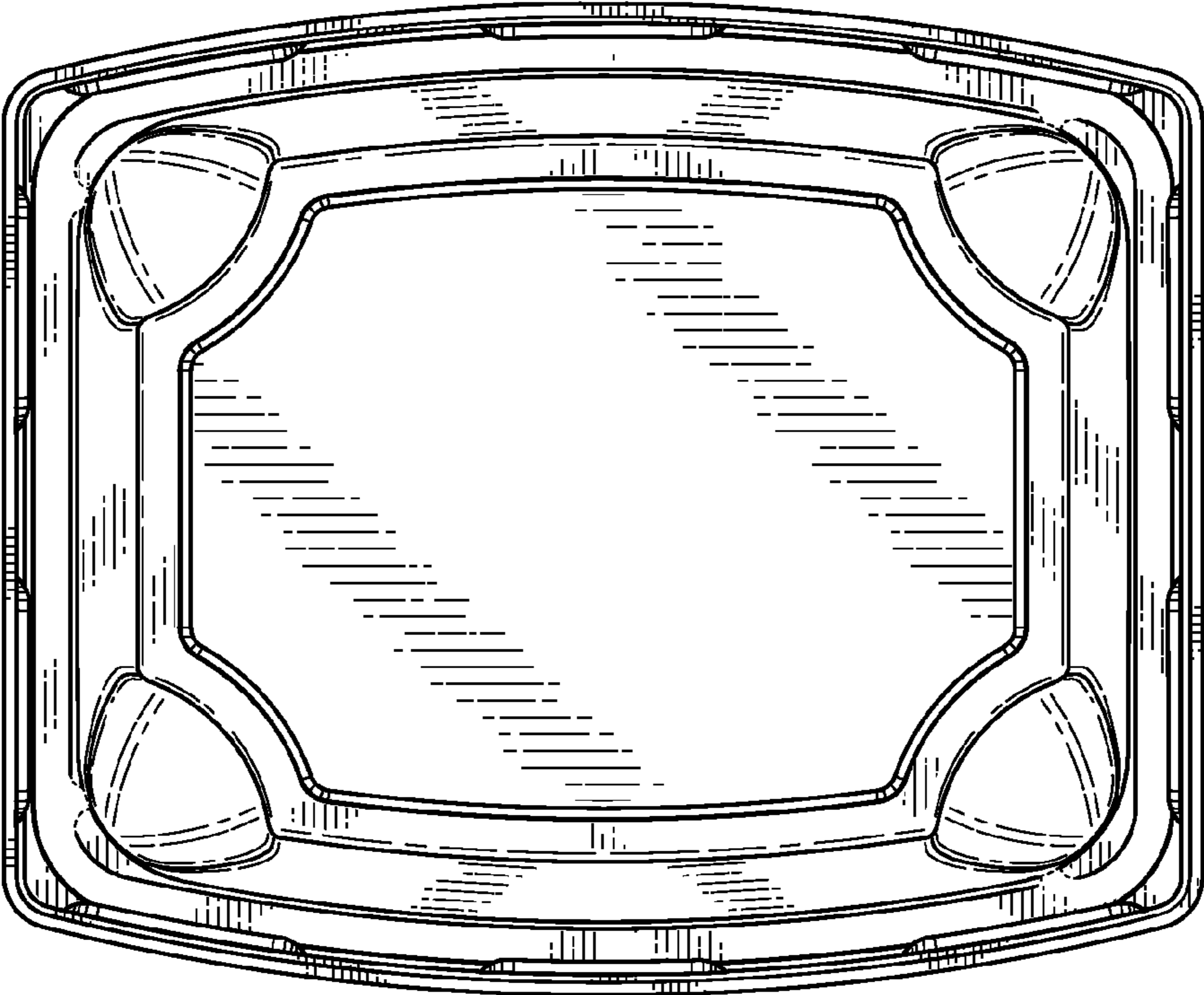


FIG. 4

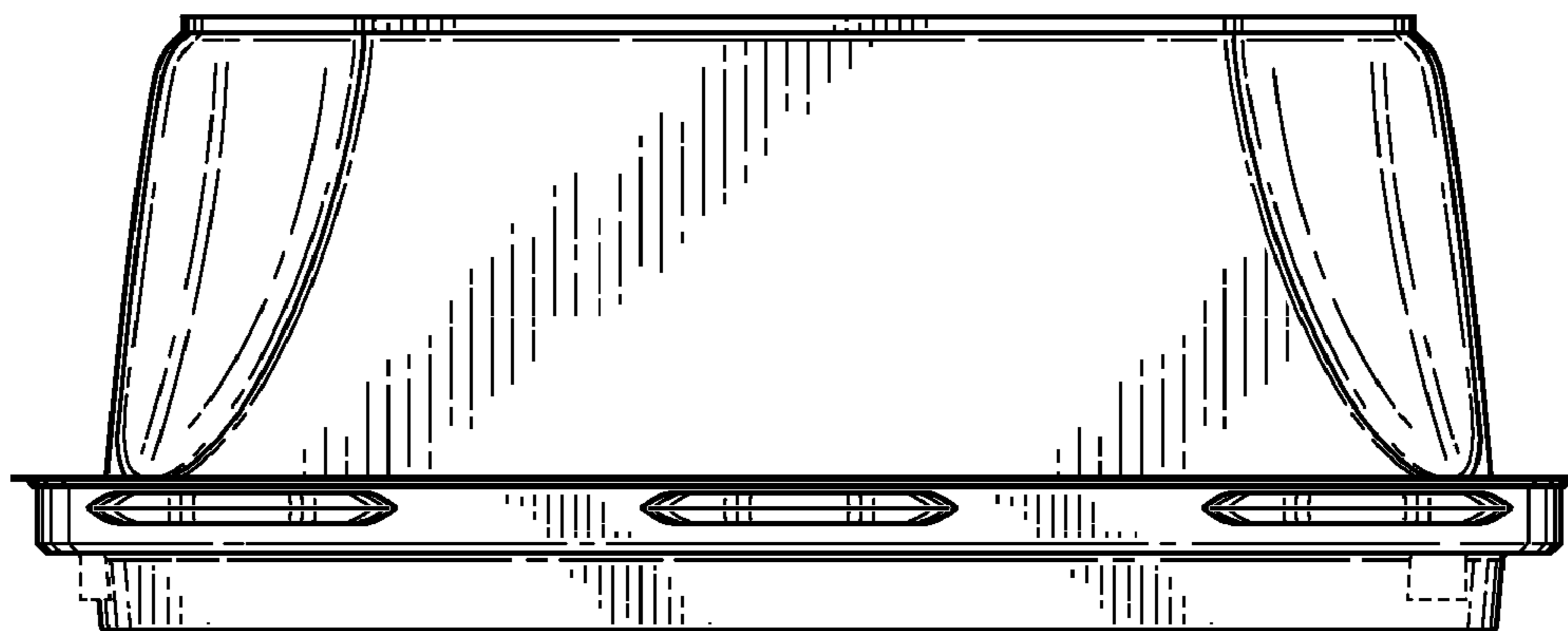


FIG. 5

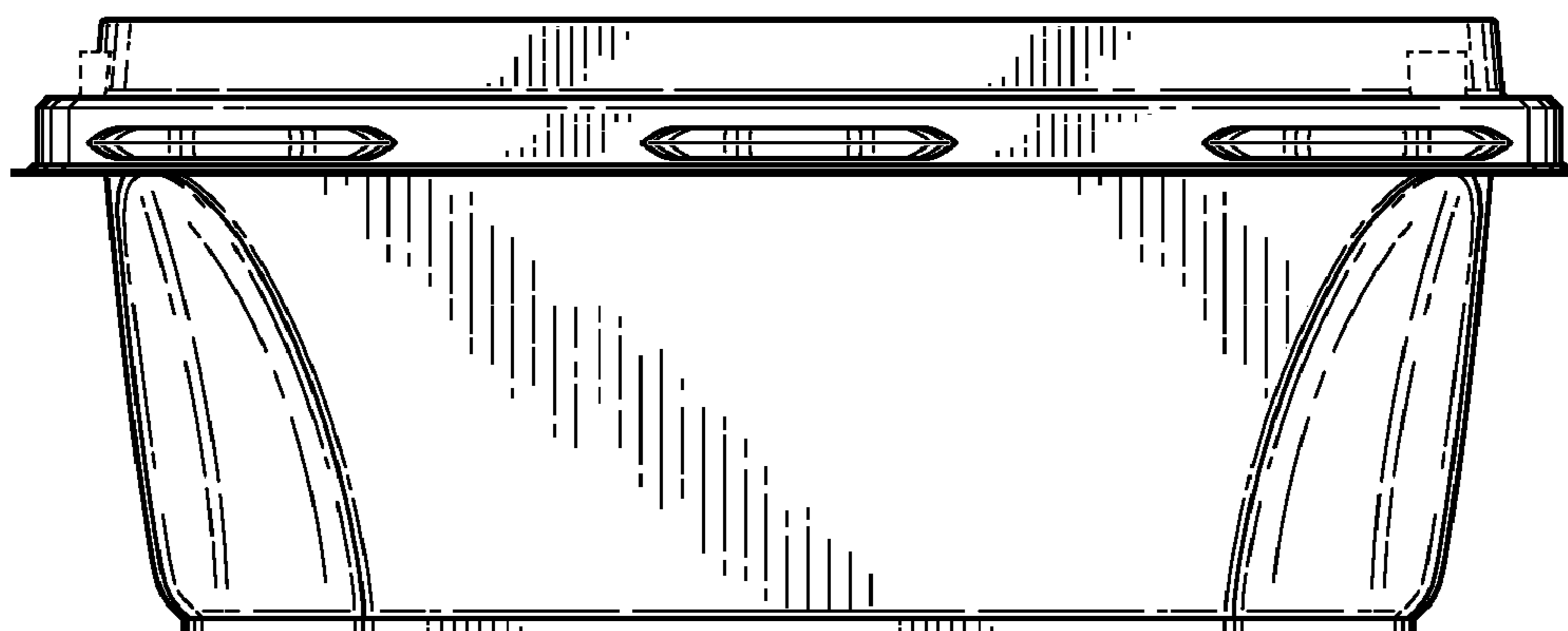


FIG. 6

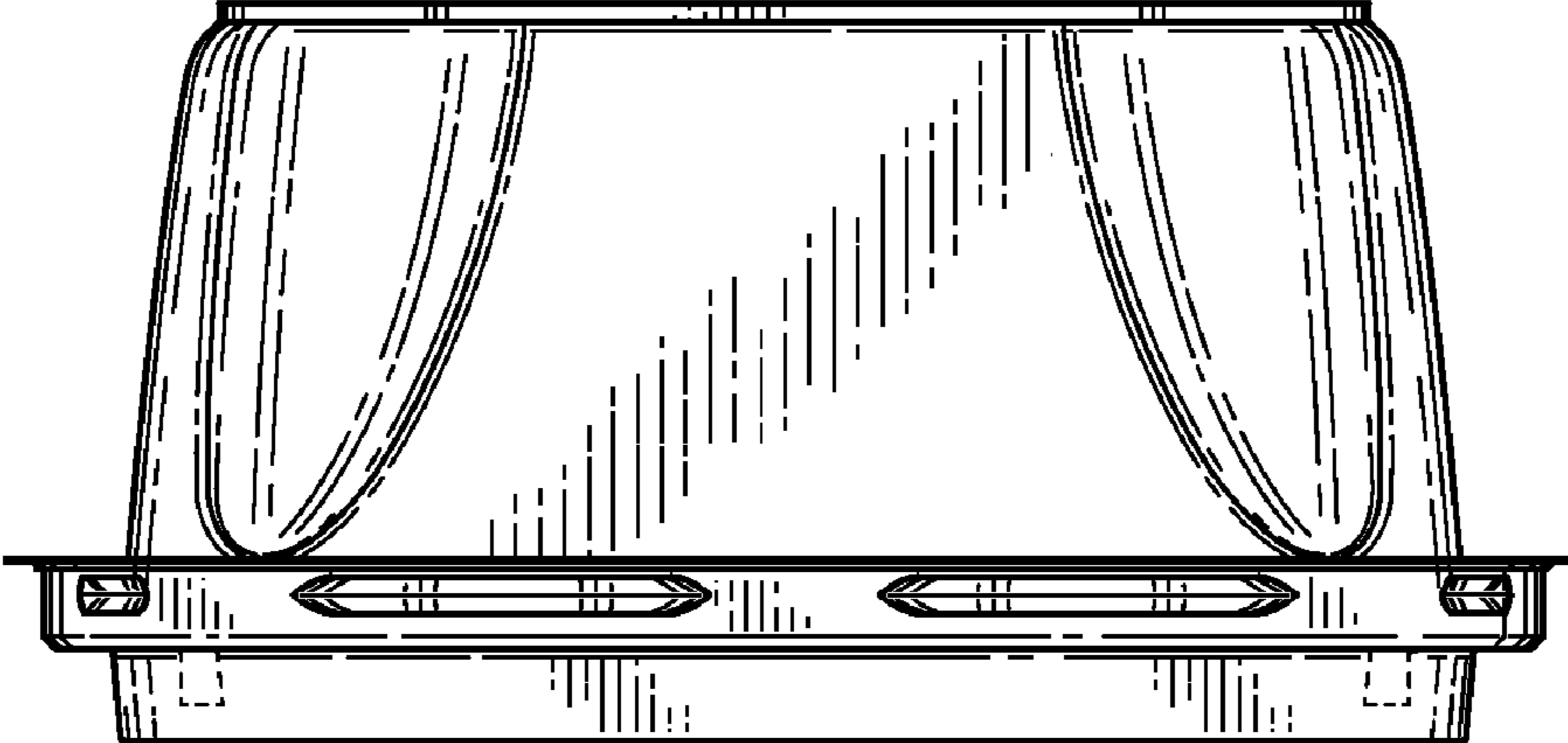


FIG. 7

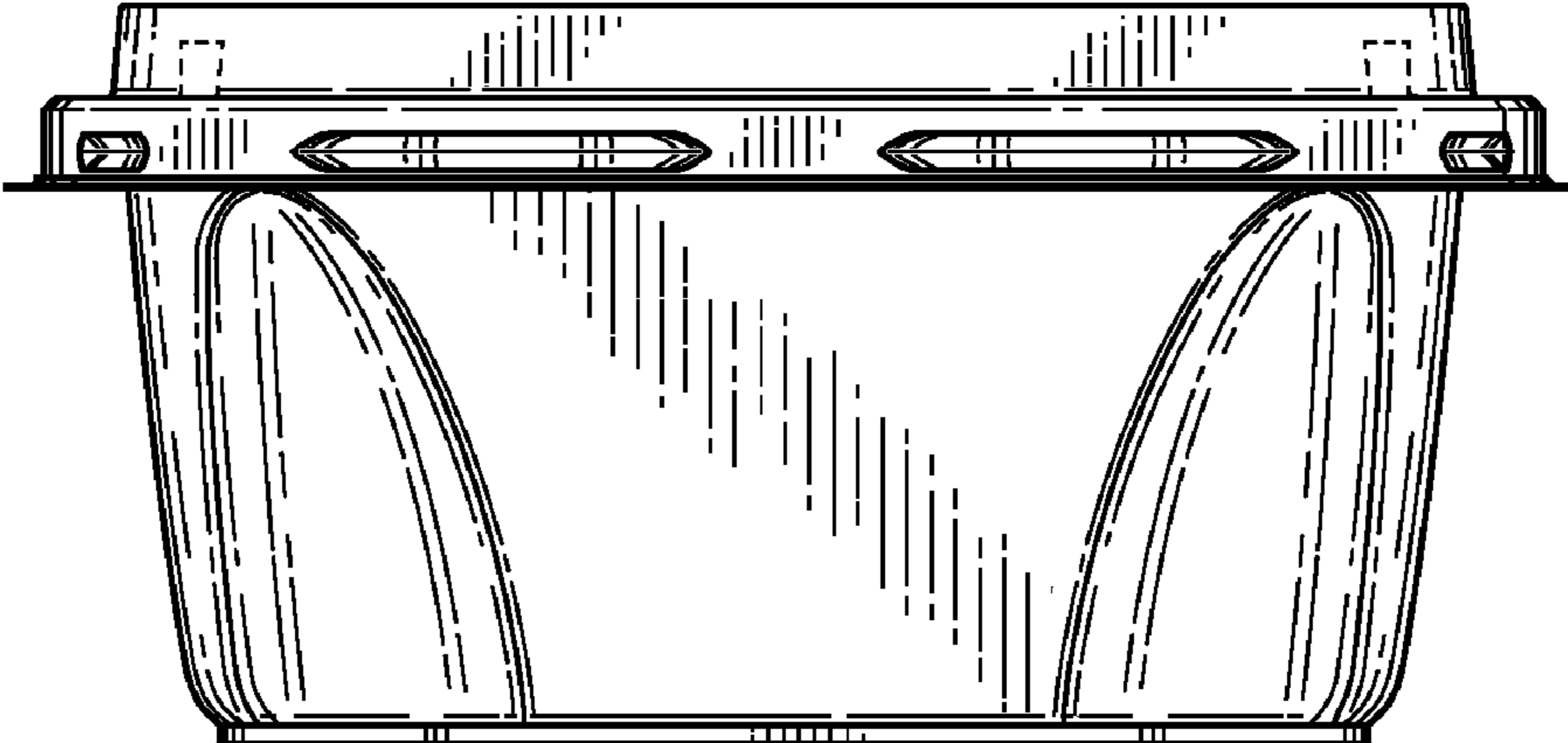


FIG. 8