



US00D643712S

(12) **United States Design Patent**
Samartgis

(10) **Patent No.:** **US D643,712 S**

(45) **Date of Patent:** **** *Aug. 23, 2011**

(54) **CONTAINER**

(75) Inventor: **Jim Samartgis**, Melbourne (AU)

(73) Assignee: **The Decor Corporation Pty Ltd.**,
Scoresby, Victoria (AU)

(*) Notice: This patent is subject to a terminal disclaimer.

(**) Term: **14 Years**

(21) Appl. No.: **29/354,975**

(22) Filed: **Feb. 1, 2010**

(30) **Foreign Application Priority Data**

Aug. 10, 2009 (AU) 12998/2009

(51) **LOC (9) Cl.** **09-03**

(52) **U.S. Cl.** **D9/424**

(58) **Field of Classification Search** D9/424,
D9/414, 418, 420-423, 425, 428, 429, 430,
D9/432, 500, 502, 503; D3/273, 302; D7/500,
D7/538, 601, 602, 609, 612, 615, 629; 206/205,
206/210, 216, 503, 508, 518, 519, 541, 557,
206/710, 723, 815, 822, 832; 220/618, 675,
220/676, 781, 786, 789, 790, 793, 796, 835;
229/406, 905, 906, 925, 926

See application file for complete search history.

(56) **References Cited**

U.S. PATENT DOCUMENTS

3,142,413 A * 7/1964 Grogel 220/618
4,046,310 A * 9/1977 Gustafsson 206/503

D256,557 S * 8/1980 Ikushima et al. D9/425
D305,410 S * 1/1990 Tyler D9/425
5,065,887 A * 11/1991 Schuh et al. 220/835
D363,662 S * 10/1995 Plater D9/425
D377,739 S * 2/1997 Carlson D7/602
D403,924 S * 1/1999 Carlson D7/602
D420,859 S * 2/2000 Loew et al. D7/602
D428,310 S * 7/2000 Zettle et al. D7/629
D469,320 S * 1/2003 Pettaweebuncha D7/629
D513,376 S * 1/2006 Shannon D7/629
D548,588 S * 8/2007 Bouveret et al. D9/428
D555,476 S * 11/2007 Nielsen D9/425

* cited by examiner

Primary Examiner — Stella Reid

Assistant Examiner — Derrick Holland

(74) *Attorney, Agent, or Firm* — Cook Alex Ltd.

(57) **CLAIM**

The ornamental design for a container, as shown and described.

DESCRIPTION

FIG. 1 is a top perspective view of a container showing my new design;

FIG. 2 is a bottom perspective view thereof;

FIG. 3 is a top plan view thereof;

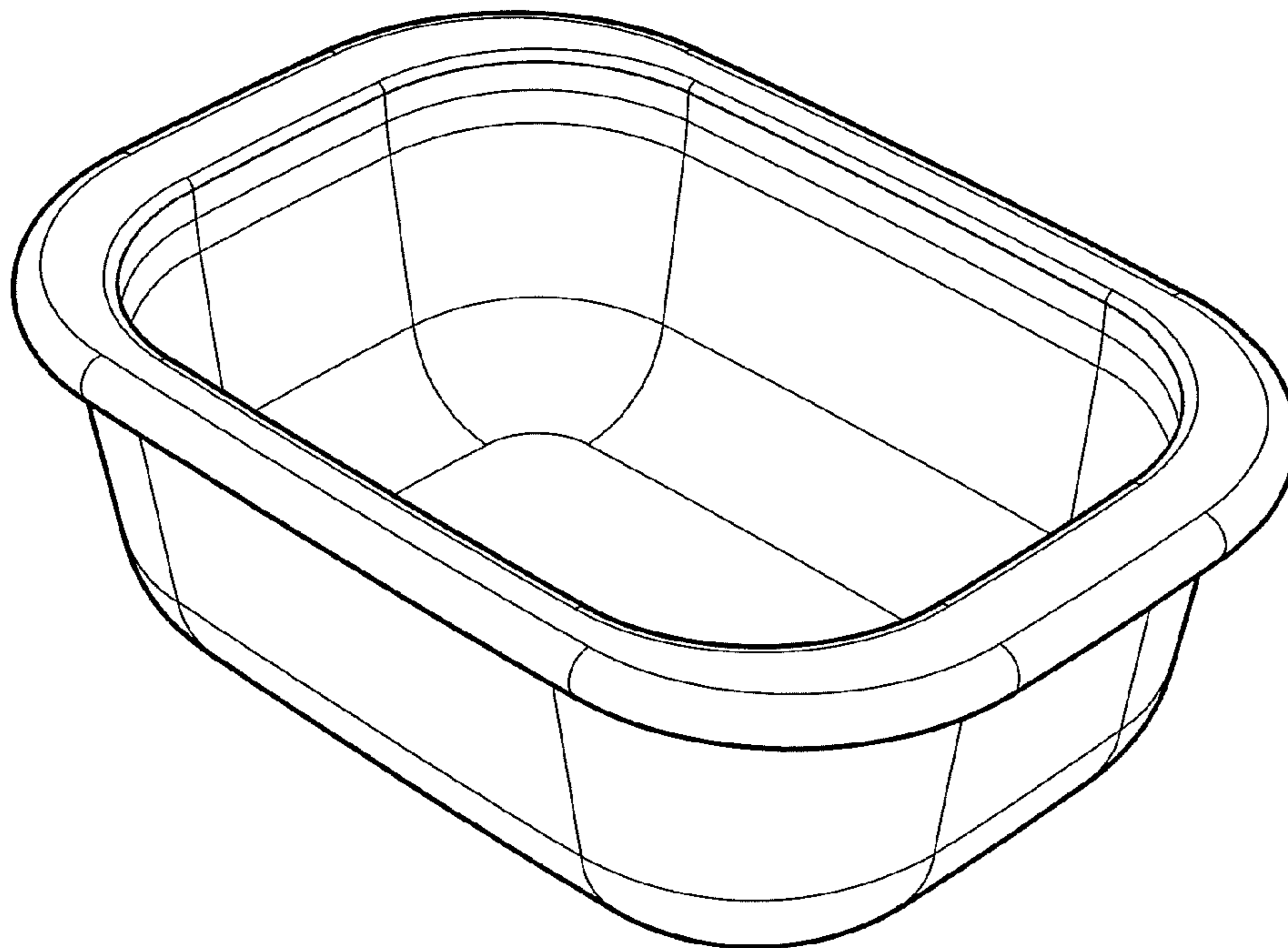
FIG. 4 is a bottom plan view thereof;

FIG. 5 is a left side elevation view thereof, the right side being a mirror image; and,

FIG. 6 is an end elevation view thereof, the opposite end being a mirror image.

The lines on the inside and outside surfaces of the container represent contour line shading.

1 Claim, 3 Drawing Sheets



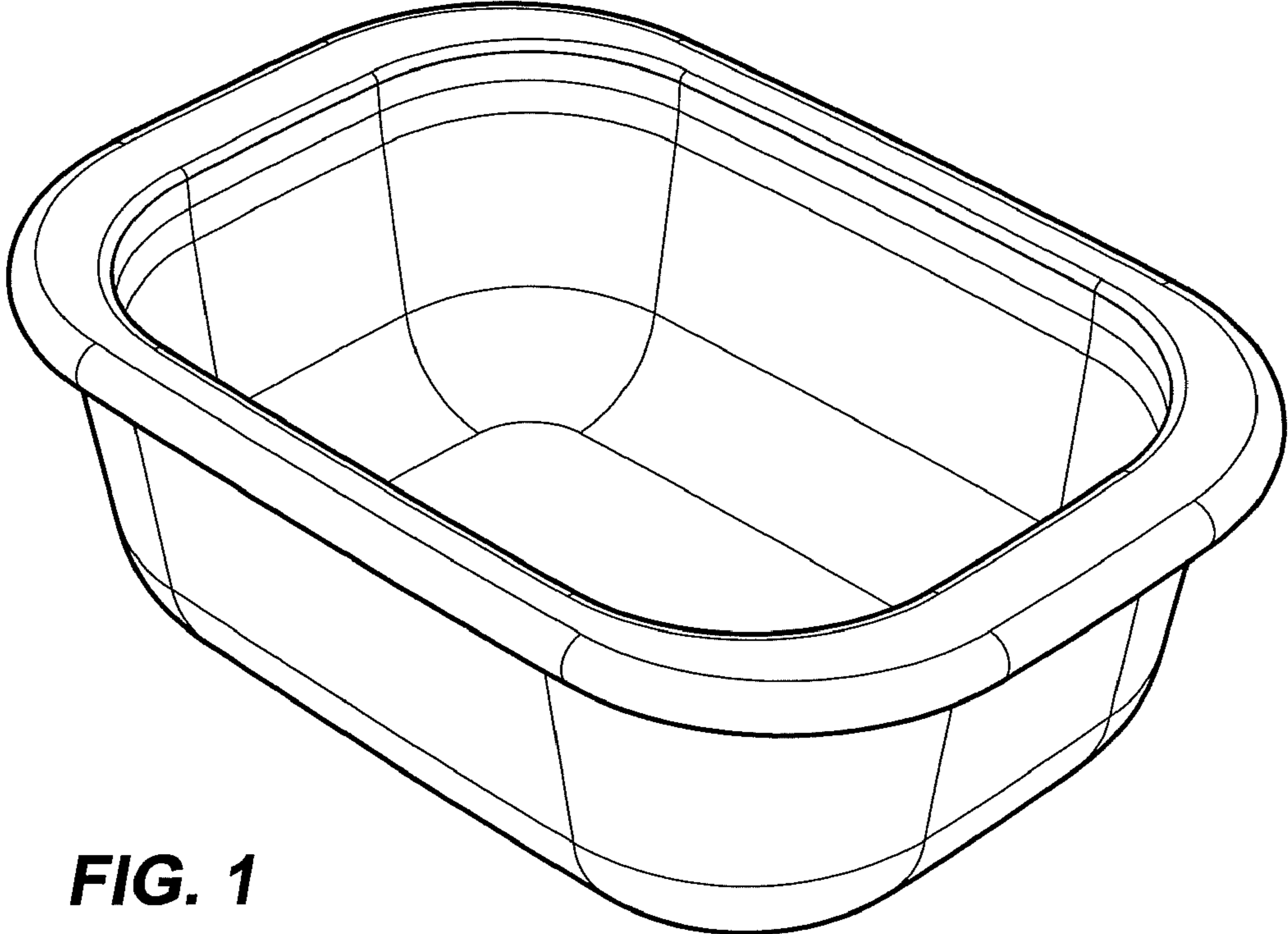


FIG. 1

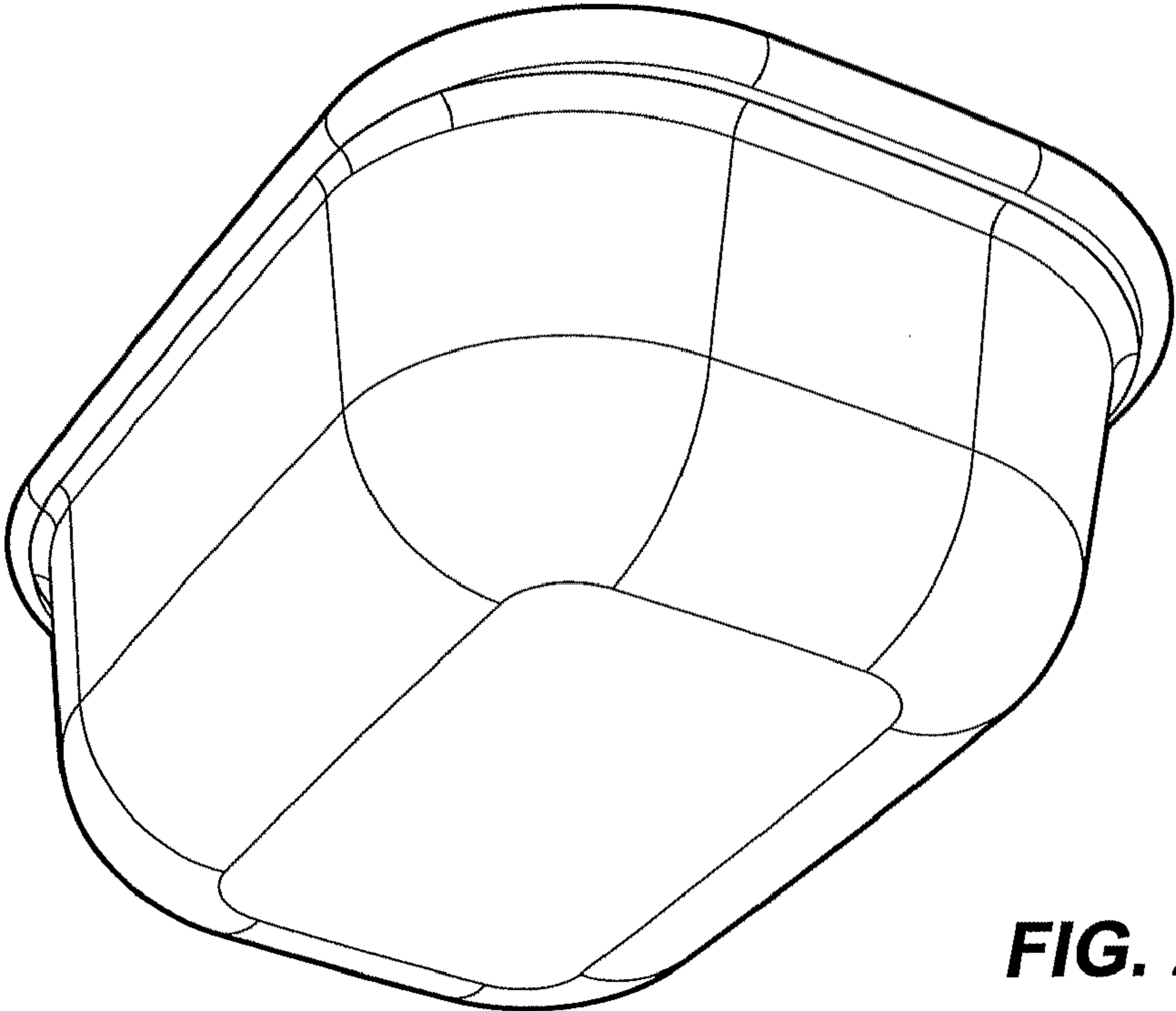


FIG. 2

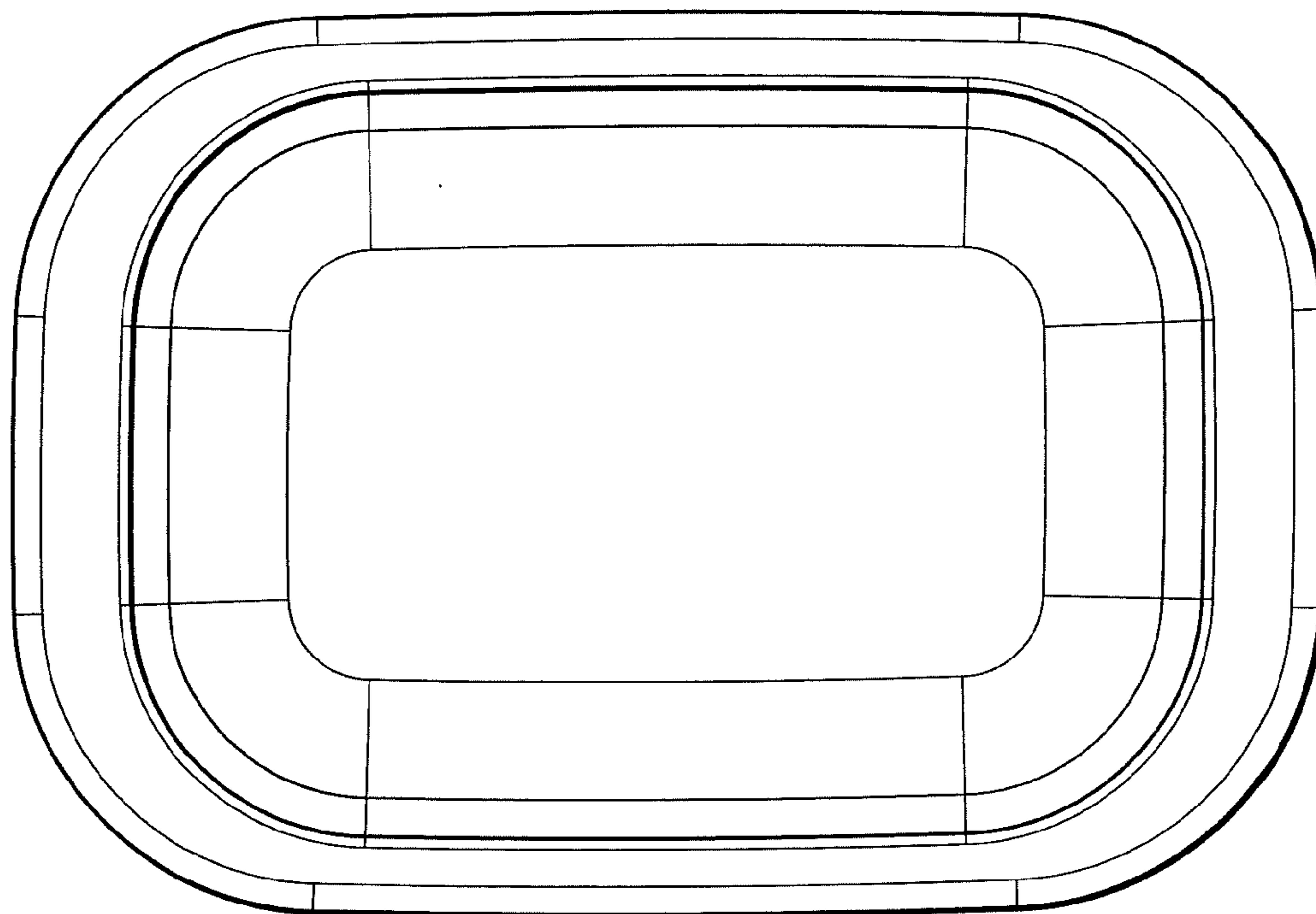


FIG. 3

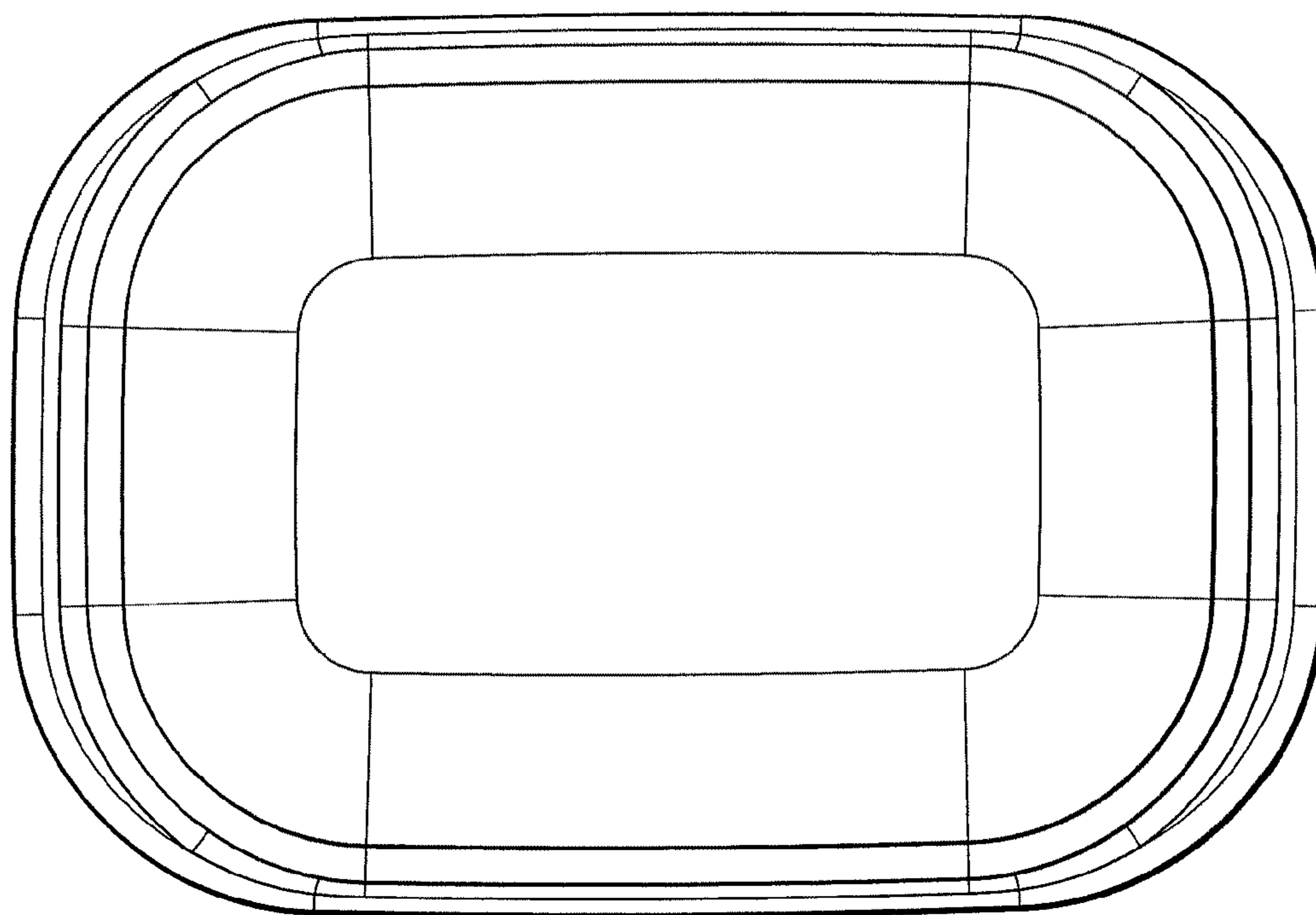


FIG. 4

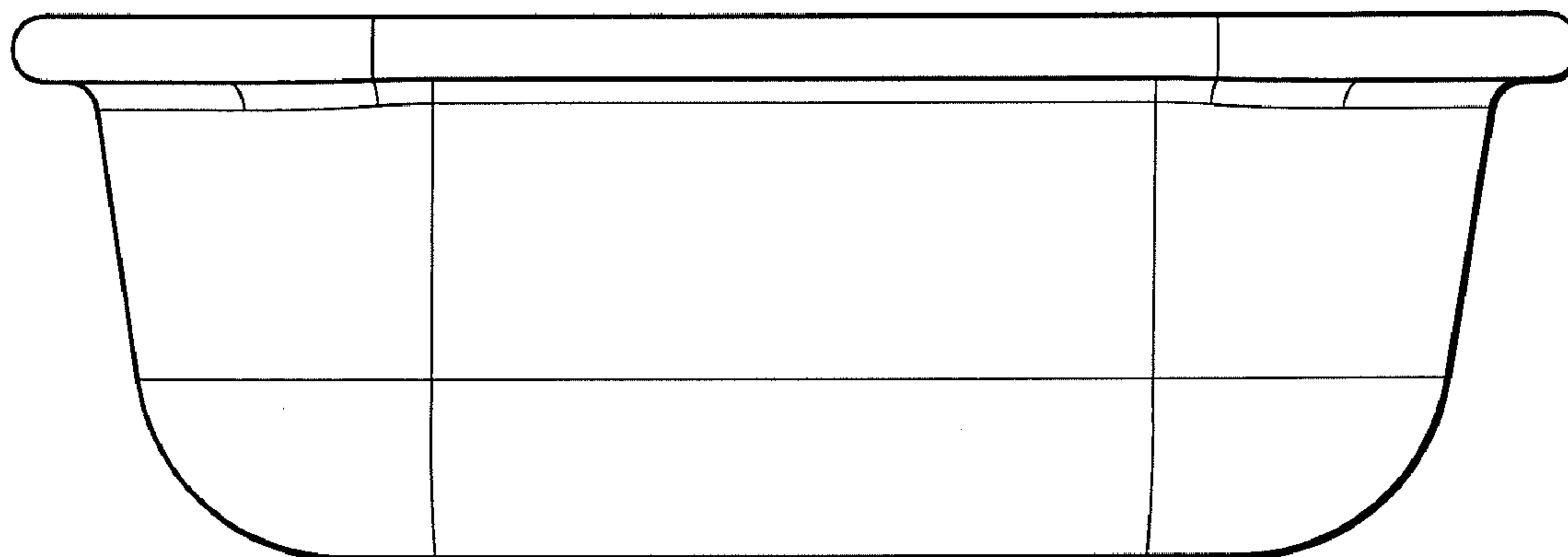


FIG. 5

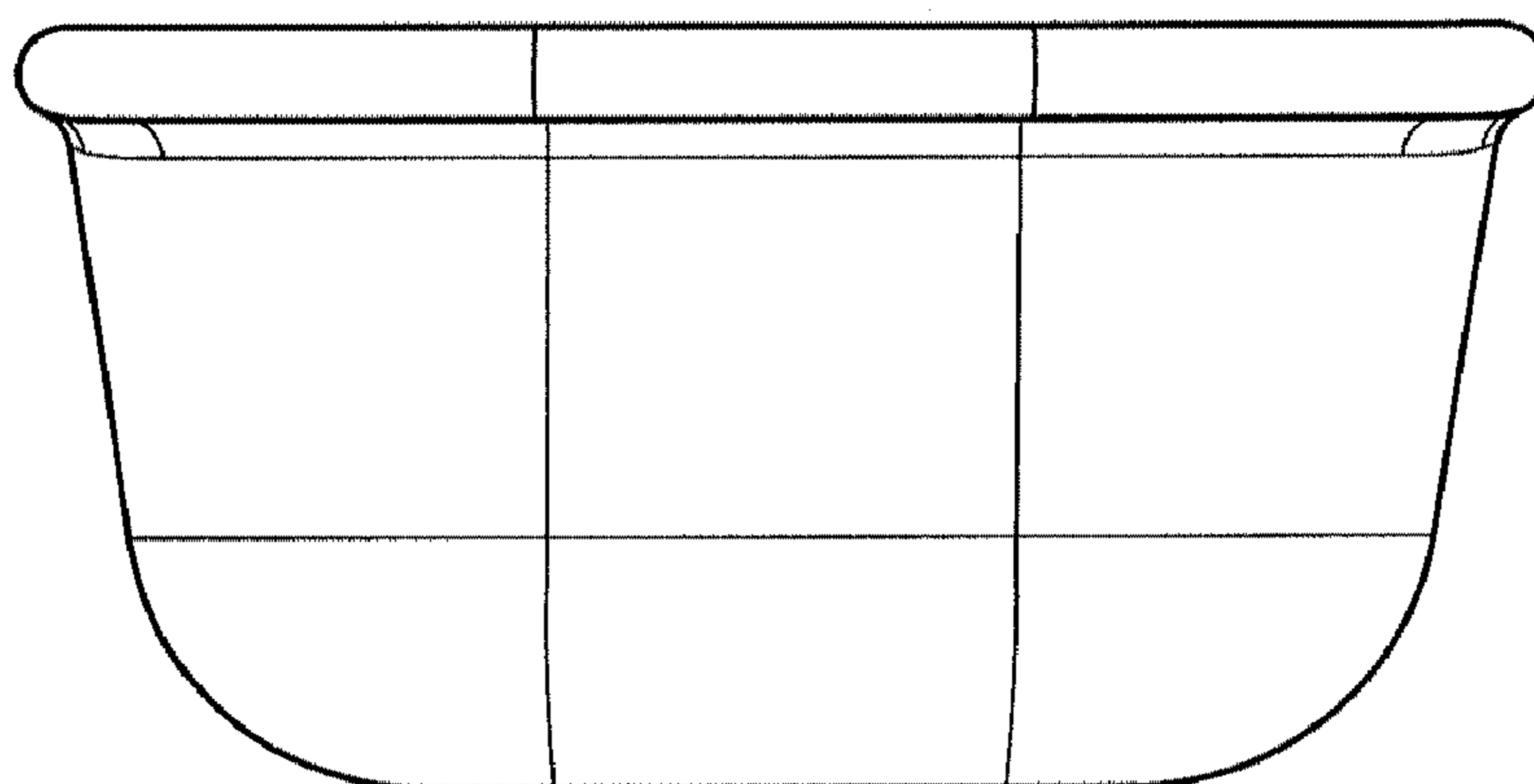


FIG. 6