



US00D643710S

(12) **United States Design Patent**  
**Samartgis**

(10) **Patent No.:** **US D643,710 S**

(45) **Date of Patent:** **\*\* \*Aug. 23, 2011**

(54) **CONTAINER**

(75) Inventor: **Jim Samartgis**, Melbourne (AU)

(73) Assignee: **The Decor Corporation Pty Ltd.**,  
Scoresby, Victoria (AU)

(\* ) Notice: This patent is subject to a terminal disclaimer.

(\*\*) Term: **14 Years**

(21) Appl. No.: **29/354,972**

(22) Filed: **Feb. 1, 2010**

(30) **Foreign Application Priority Data**

Aug. 10, 2009 (AU) ..... 13009/2009

(51) **LOC (9) Cl.** ..... **09-03**

(52) **U.S. Cl.** ..... **D9/424**

(58) **Field of Classification Search** ..... D9/424,  
D9/414, 418, 420-423, 425, 428, 429, 430,  
D9/432, 500, 502, 503; D3/273, 302; D7/500,  
D7/538, 601, 602, 609, 612, 615, 629; 206/205,  
206/210, 216, 503, 508, 518, 519, 541, 557,  
206/710, 723, 815, 822, 832; 220/618, 675,  
220/676, 781, 786, 789, 790, 793, 796, 835;  
229/406, 905, 906, 925, 926

See application file for complete search history.

(56) **References Cited**

**U.S. PATENT DOCUMENTS**

3,142,413 A \* 7/1964 Grogel ..... 220/618  
4,046,310 A \* 9/1977 Gustafsson ..... 206/503

D256,557 S \* 8/1980 Ikushima et al. .... D9/425  
D305,410 S \* 1/1990 Tyler ..... D9/425  
5,065,887 A \* 11/1991 Schuh et al. .... 220/835  
D363,662 S \* 10/1995 Plater ..... D9/425  
D377,739 S \* 2/1997 Carlson ..... D7/602  
D403,924 S \* 1/1999 Carlson ..... D7/602  
D420,859 S \* 2/2000 Loew et al. .... D7/602  
D428,310 S \* 7/2000 Zettle et al. .... D7/629  
D469,320 S \* 1/2003 Pettaweebuncha ..... D7/629  
D513,376 S \* 1/2006 Shannon ..... D7/629  
D548,588 S \* 8/2007 Bouveret et al. .... D9/428  
D555,476 S \* 11/2007 Nielsen ..... D9/425

\* cited by examiner

*Primary Examiner* — Stella Reid

*Assistant Examiner* — Derrick Holland

(74) *Attorney, Agent, or Firm* — Cook Alex Ltd.

(57) **CLAIM**

The ornamental design for a container, as shown and described.

**DESCRIPTION**

FIG. 1 is a top perspective view of a container showing my new design;

FIG. 2 is a bottom perspective view thereof;

FIG. 3 is a left side elevation view thereof, the right side being a mirror image;

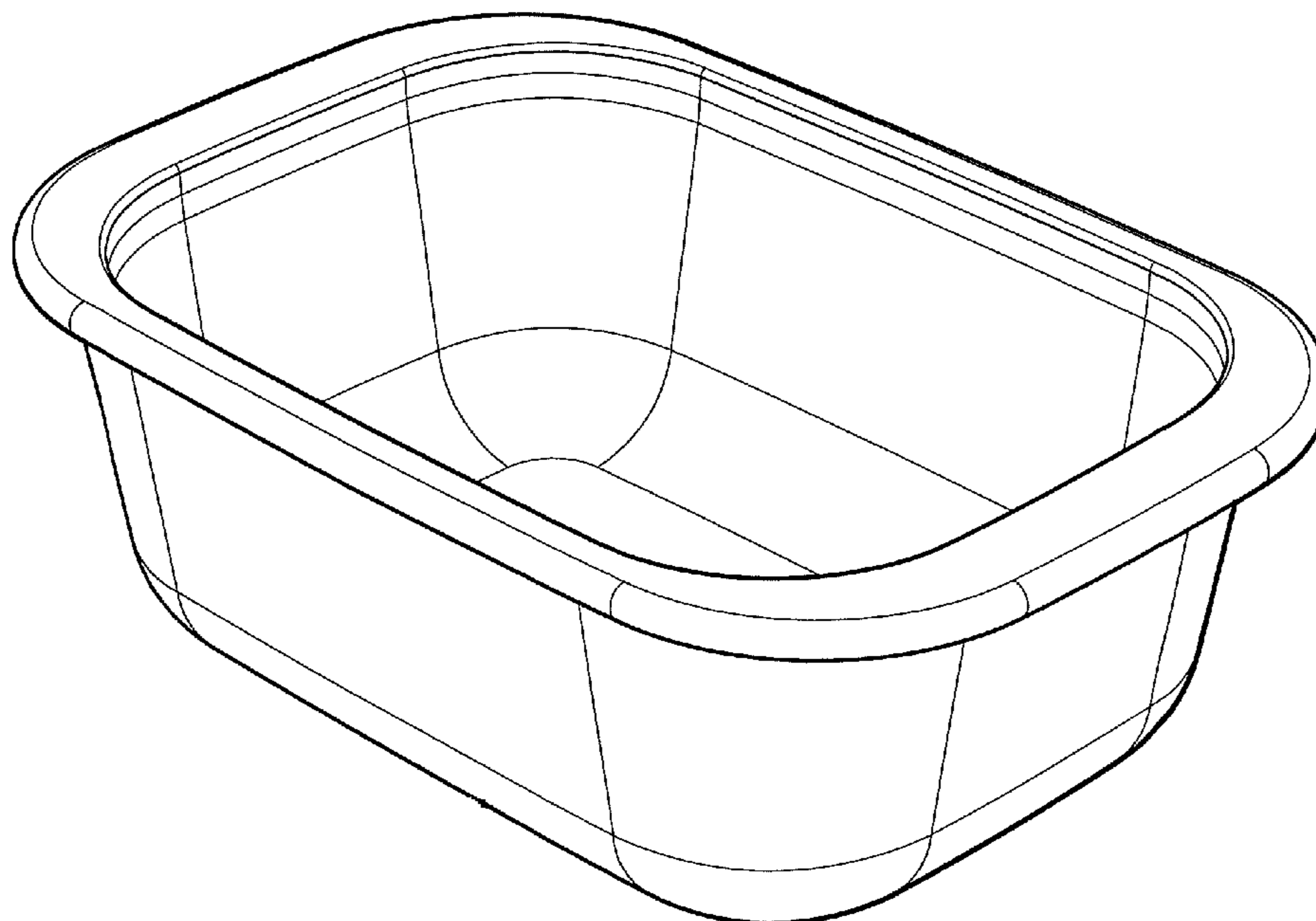
FIG. 4 is a top plan view thereof;

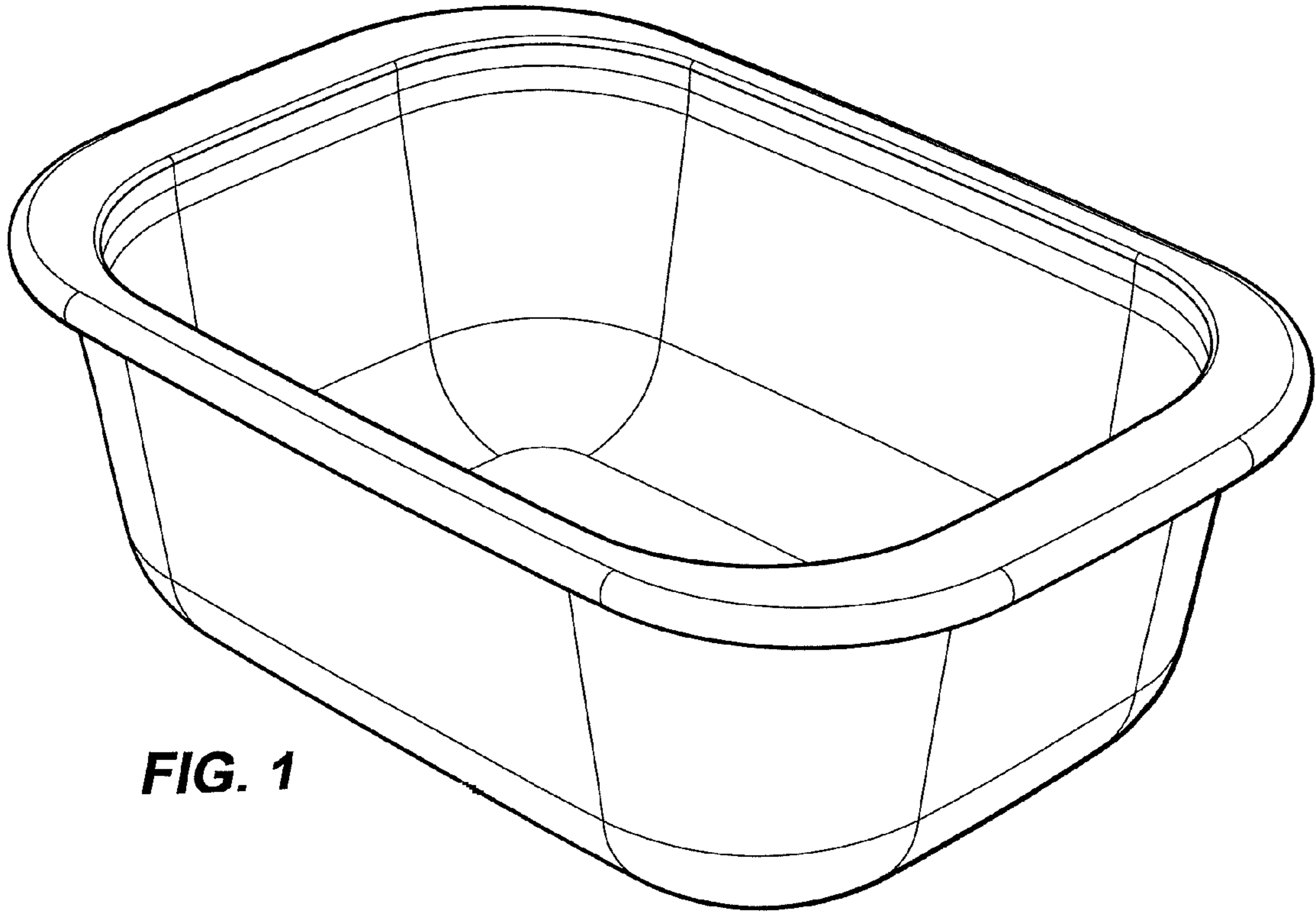
FIG. 5 is a bottom plan view; and,

FIG. 6 is an end elevation view thereof, the opposite end being a mirror image.

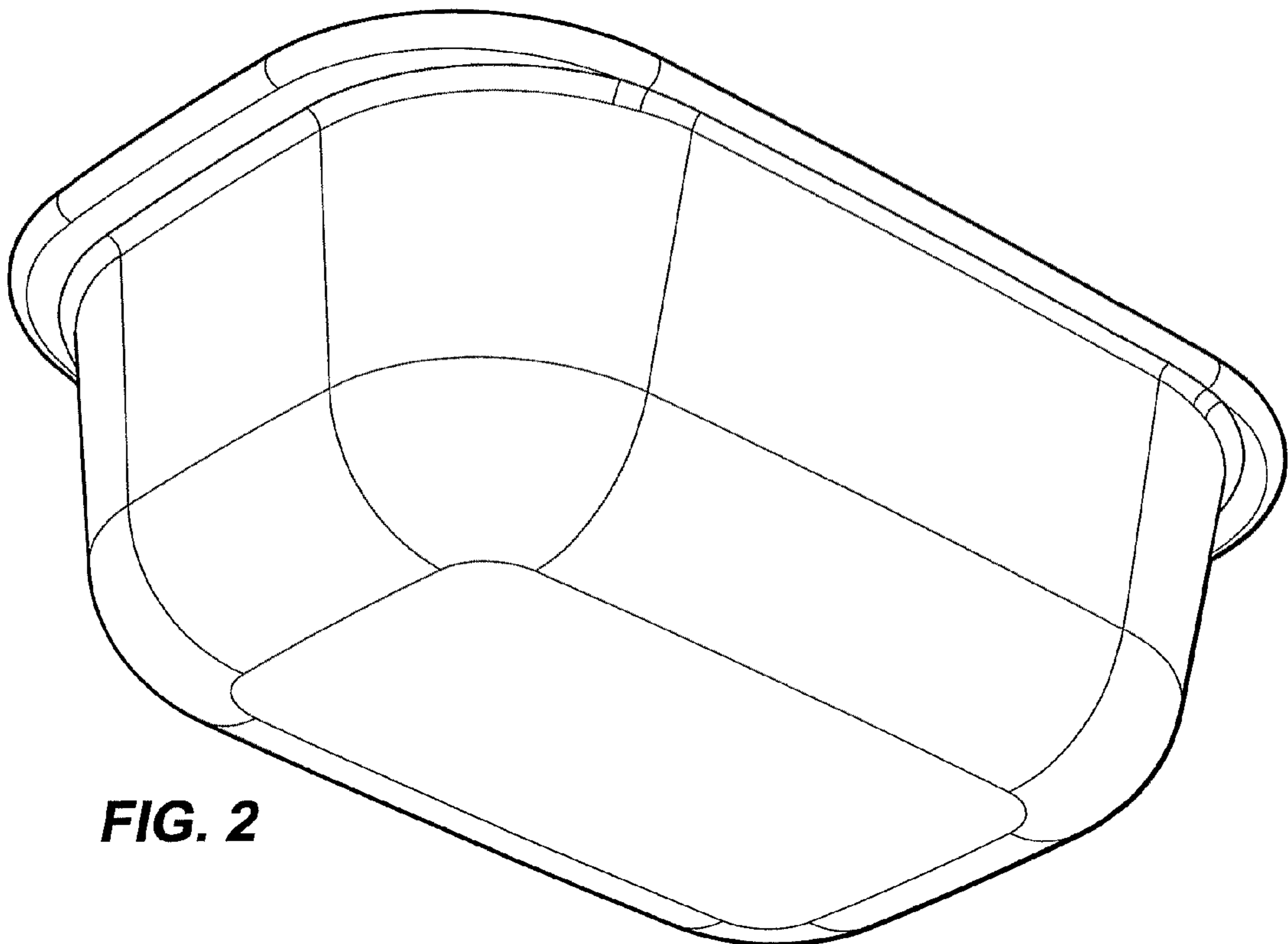
The lines on the inside and outside surfaces of the container represent contour line shading.

**1 Claim, 3 Drawing Sheets**

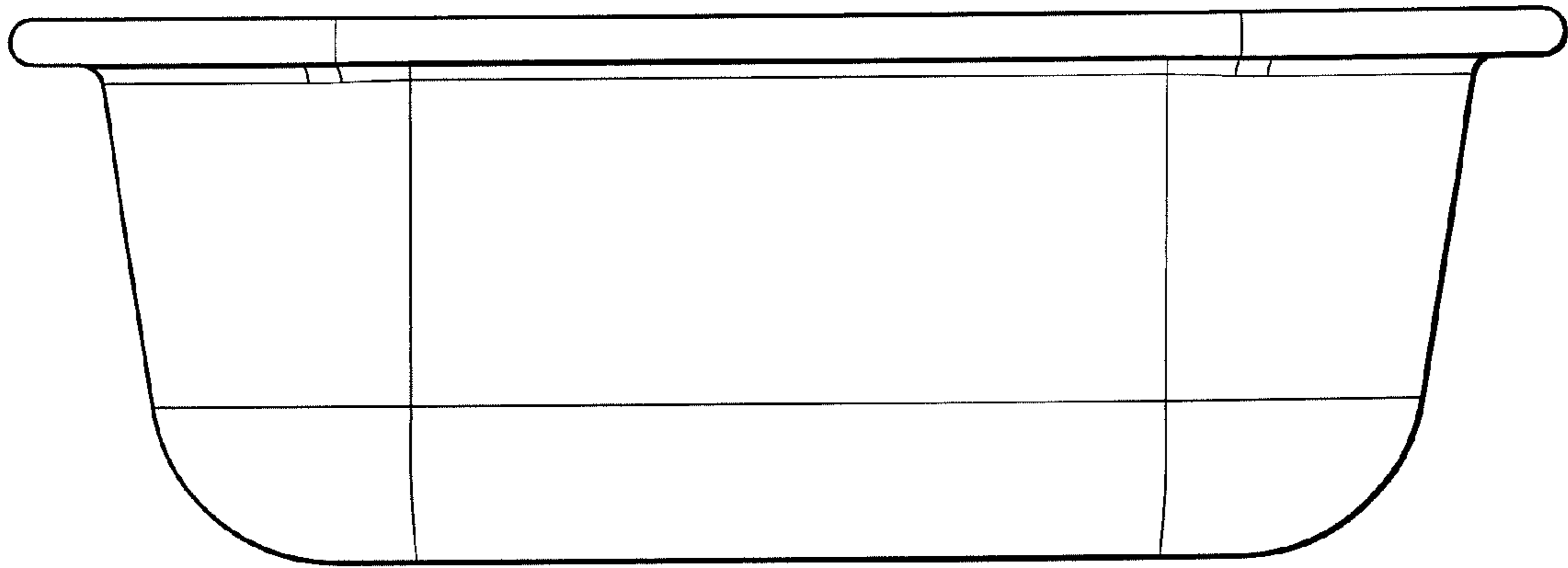




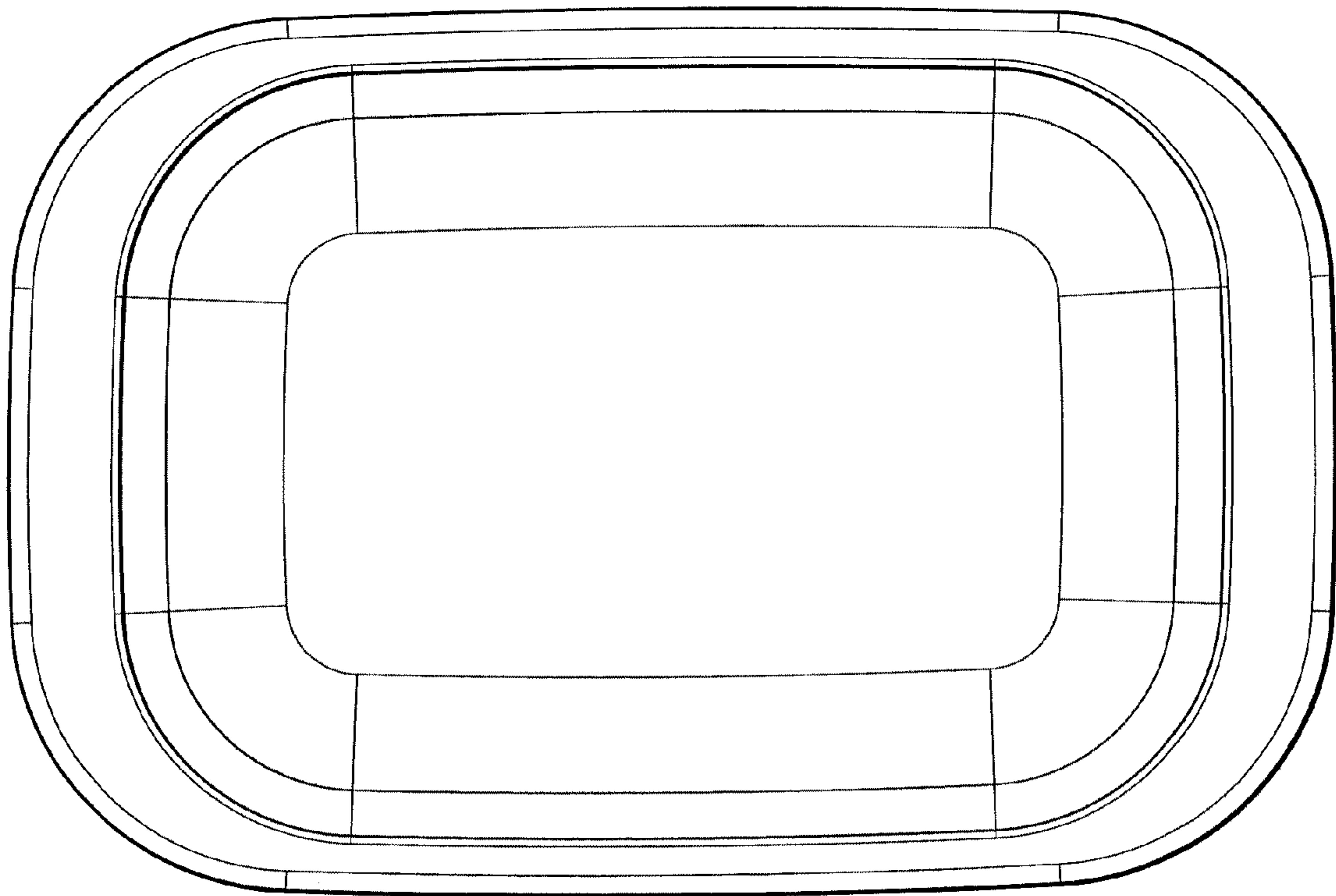
**FIG. 1**



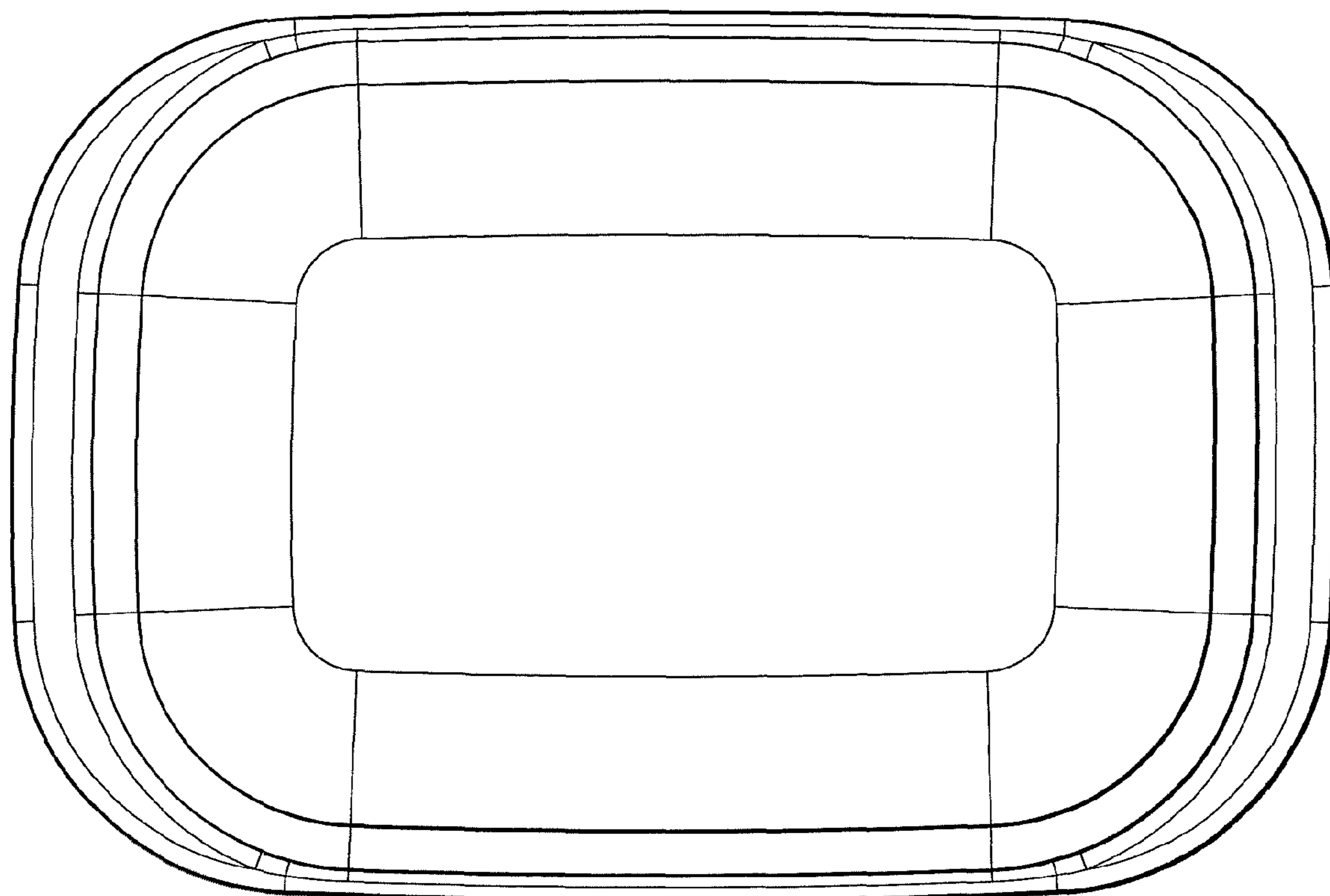
**FIG. 2**



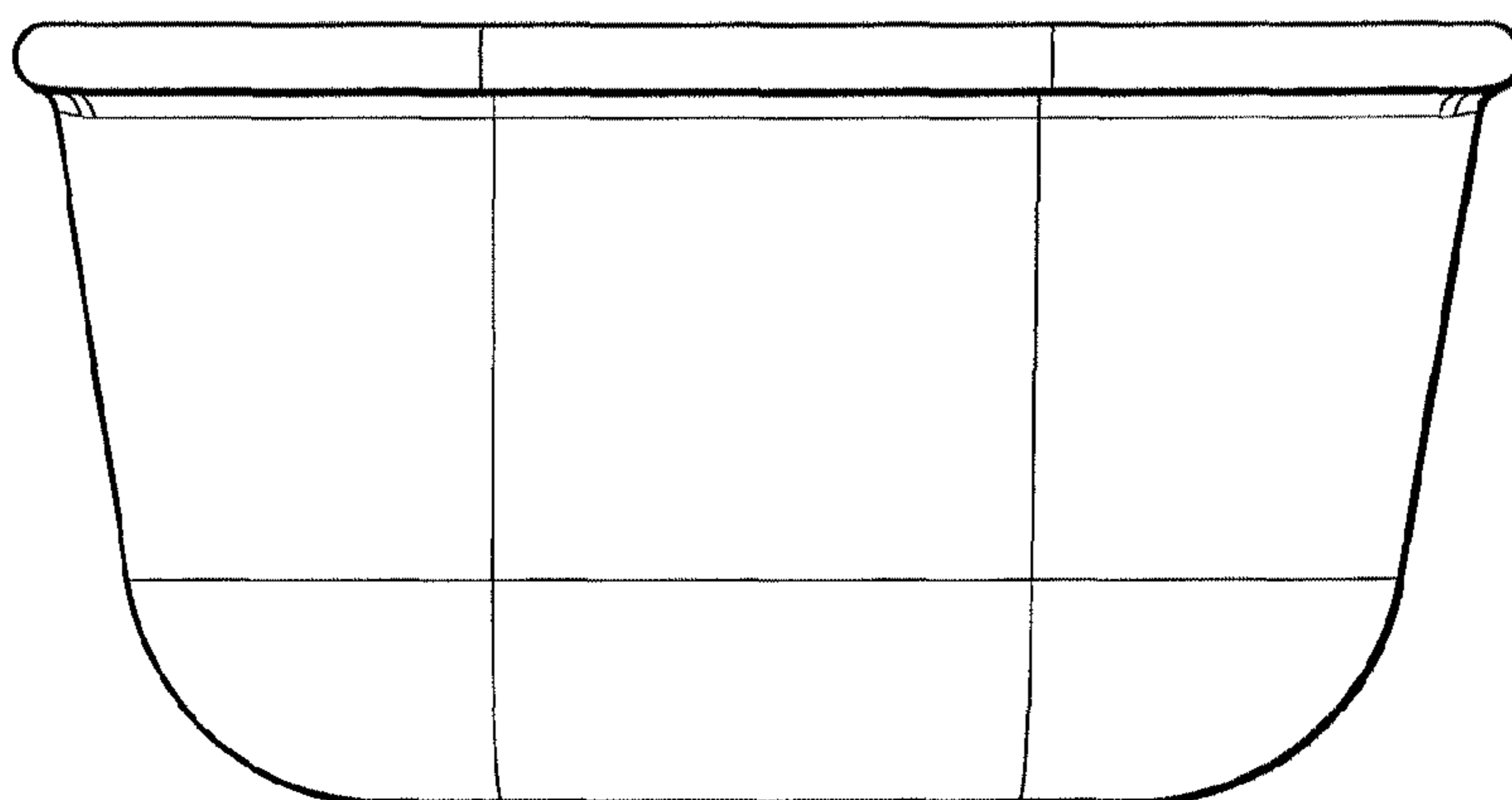
**FIG. 3**



**FIG. 4**



**FIG. 5**



**FIG. 6**