



US00D643707S

(12) **United States Design Patent**  
**Lappin et al.**

(10) **Patent No.:** **US D643,707 S**

(45) **Date of Patent:** **\*\* Aug. 23, 2011**

(54) **BALUSTER CONNECTOR**

(75) Inventors: **Rick Allan Lappin**, Locust, NC (US);  
**Francis E. Loftus**, Richboro, PA (US)

(73) Assignee: **Fiber Composites, LLC**, Providence, RI (US)

(\*\*) Term: **14 Years**

(21) Appl. No.: **29/366,888**

(22) Filed: **Jul. 30, 2010**

(51) **LOC (9) Cl.** ..... **08-08**

(52) **U.S. Cl.** ..... **D8/382**

(58) **Field of Classification Search** ..... D8/382,  
D8/354; D25/133; 256/65.01, 65.03, 65.07,  
256/65.08; 403/189, 233

See application file for complete search history.

(56) **References Cited**

**U.S. PATENT DOCUMENTS**

1,772,159	A	8/1930	Roth
3,955,800	A	5/1976	Russo
3,991,982	A	11/1976	Yamamoto
D298,011	S	10/1988	Jans
4,886,245	A	12/1989	Manzo
D334,815	S	4/1993	Bunger
6,311,957	B1	11/2001	Driscoll et al.
D452,644	S	1/2002	Morita
D454,482	S	3/2002	Morita
6,471,192	B1	10/2002	Erwin
6,702,259	B2	3/2004	Pratt
6,805,335	B2	10/2004	Williams
6,807,788	B1	10/2004	Terry
6,889,960	B1	5/2005	Jones
6,932,329	B1	8/2005	Harder
D519,650	S	4/2006	Rosian
7,044,448	B1	5/2006	Jones
D544,107	S	6/2007	Timothy
7,278,240	B2	10/2007	Burkart et al.
D556,559	S	12/2007	Jones et al.
D558,144	S	12/2007	Chien et al.

D585,827	S	2/2009	Lin et al.
D588,989	S	3/2009	Kok
D589,882	S	4/2009	Kok et al.
D618,174	S	6/2010	Chiang
D629,284	S *	12/2010	Loftus ..... D8/354
2004/0025452	A1	2/2004	McLean
2004/0089858	A1	5/2004	DeRogatis et al.
2006/0107613	A1	5/2006	Chung
2006/0175592	A1	8/2006	DeRogatis et al.

**OTHER PUBLICATIONS**

Azek Building Products, "Railing Installation Guidelines," Copyright 2009, 8 pages.

Fiber Composites, LLC, "2007 Line Baluster Insert," Drawing No. 050-0023, dated Jul. 20, 2006, 1 page.

Fiber Composites, LLC, "2007 Stair Baluster Insert," Drawings No. 050-0024, dated Jul. 20, 2006, 1 page.

(Continued)

*Primary Examiner* — Holly Baynham

*Assistant Examiner* — Sheryl Lane

(74) *Attorney, Agent, or Firm* — Goodwin Procter LLP

(57) **CLAIM**

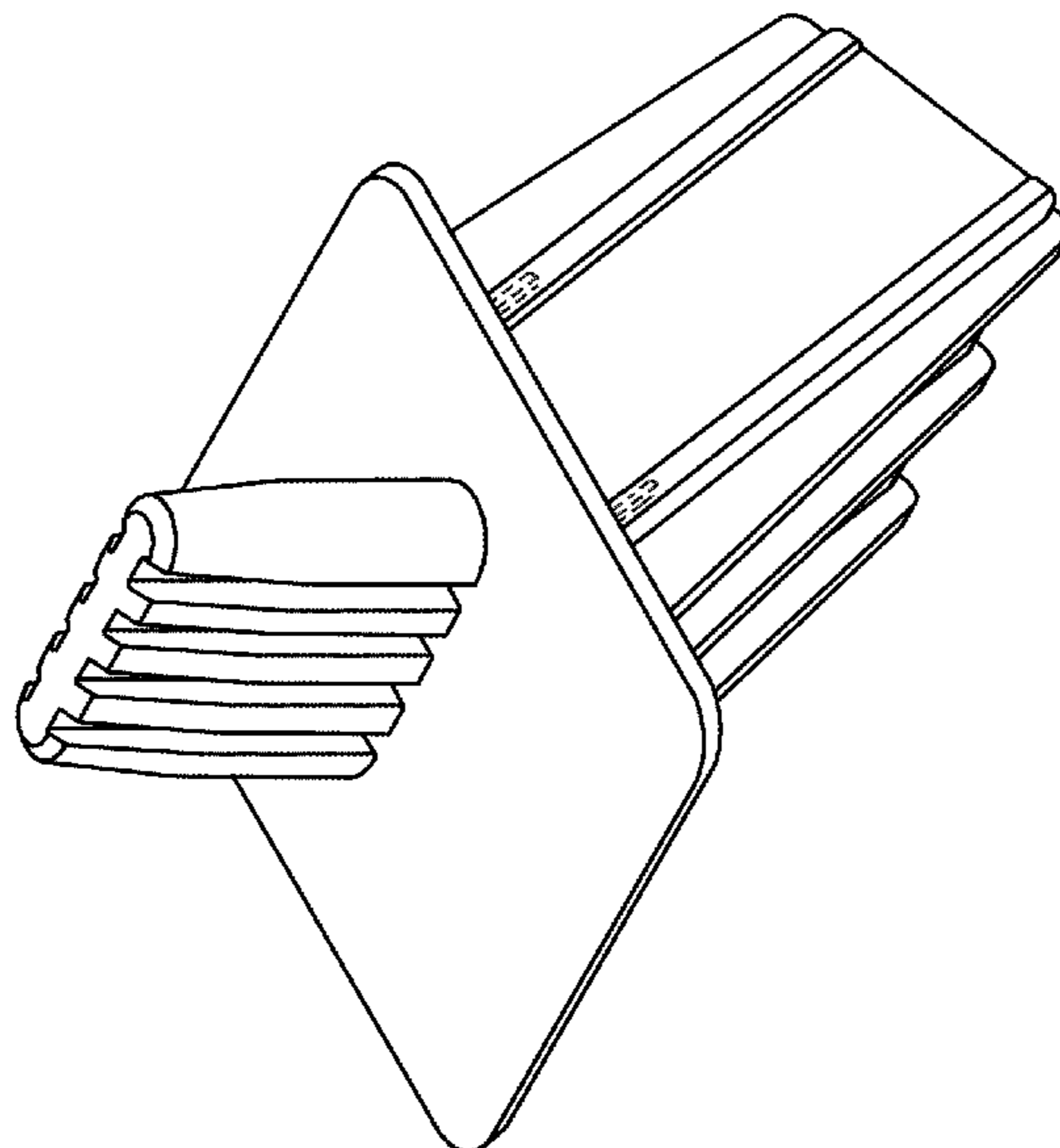
The ornamental design for a baluster connector, as shown and described.

**DESCRIPTION**

FIG. 1 is a bottom perspective view of the baluster connector; FIG. 2 is a top perspective view of the baluster connector; FIG. 3 is a top view of the baluster connector; FIG. 4 is a bottom view of the baluster connector; FIG. 5 is a left side view of the baluster connector; FIG. 6 is a right side view of the baluster connector; FIG. 7 is a front side view of the baluster connector; and, FIG. 8 is a rear side view of the baluster connector.

The broken line showing of the baluster connector has been included for the purpose of showing borders and forms no part of the claimed design.

**1 Claim, 4 Drawing Sheets**



OTHER PUBLICATIONS

Fiberon Horizon Plus, "Ultra Low Maintenance Composite Railing Installation Guidelines," Fiber Composites, LLC, Copyright 2008, dated Jan. 2008, 10 pages.

Fiberon, "Product Guide," dated Mar. 2009, 36 pages.  
Rendering of exploded composite railing system, including baluster connector, on sale prior to Jul. 2006, 1 page.

\* cited by examiner

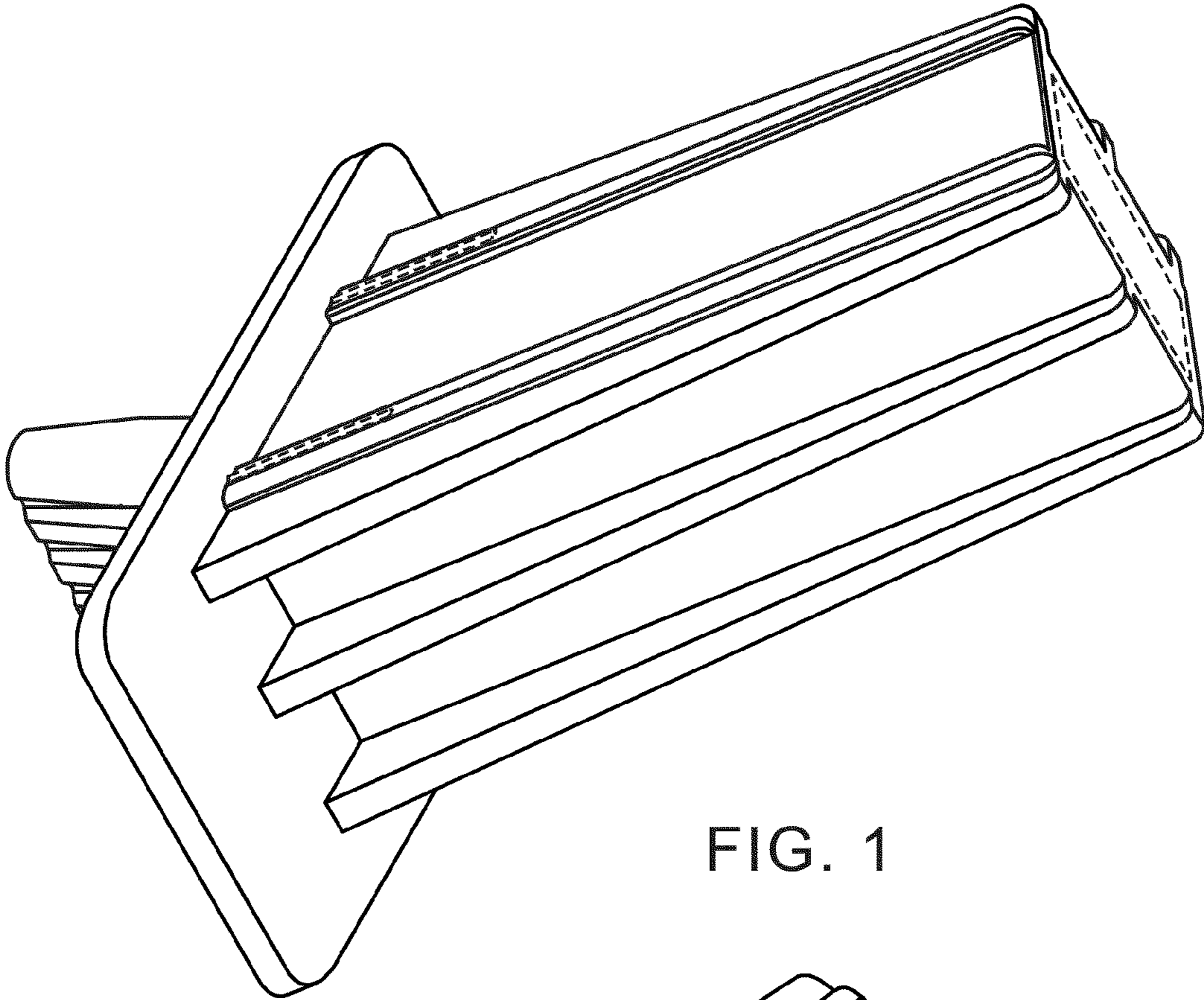


FIG. 1

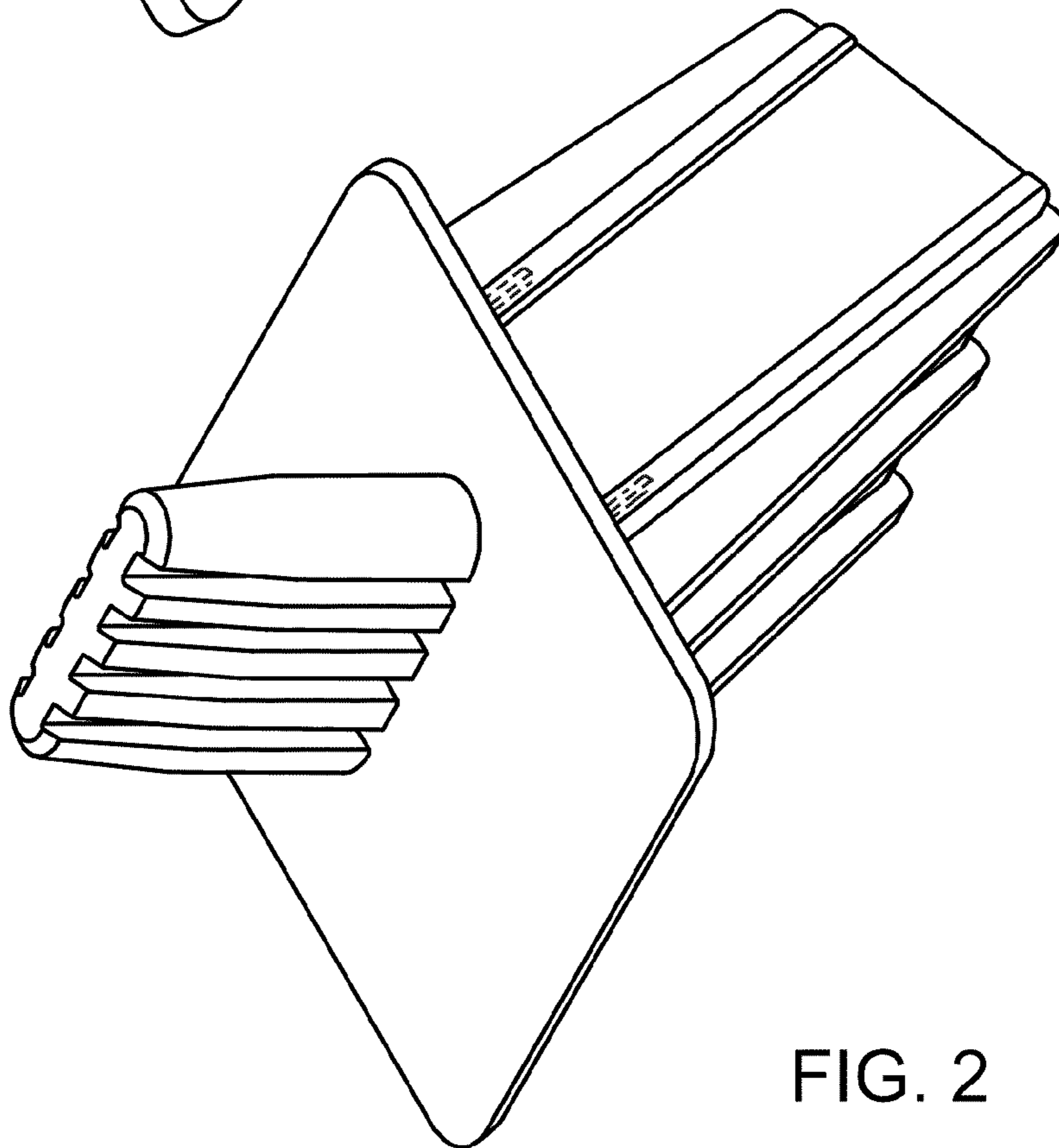


FIG. 2

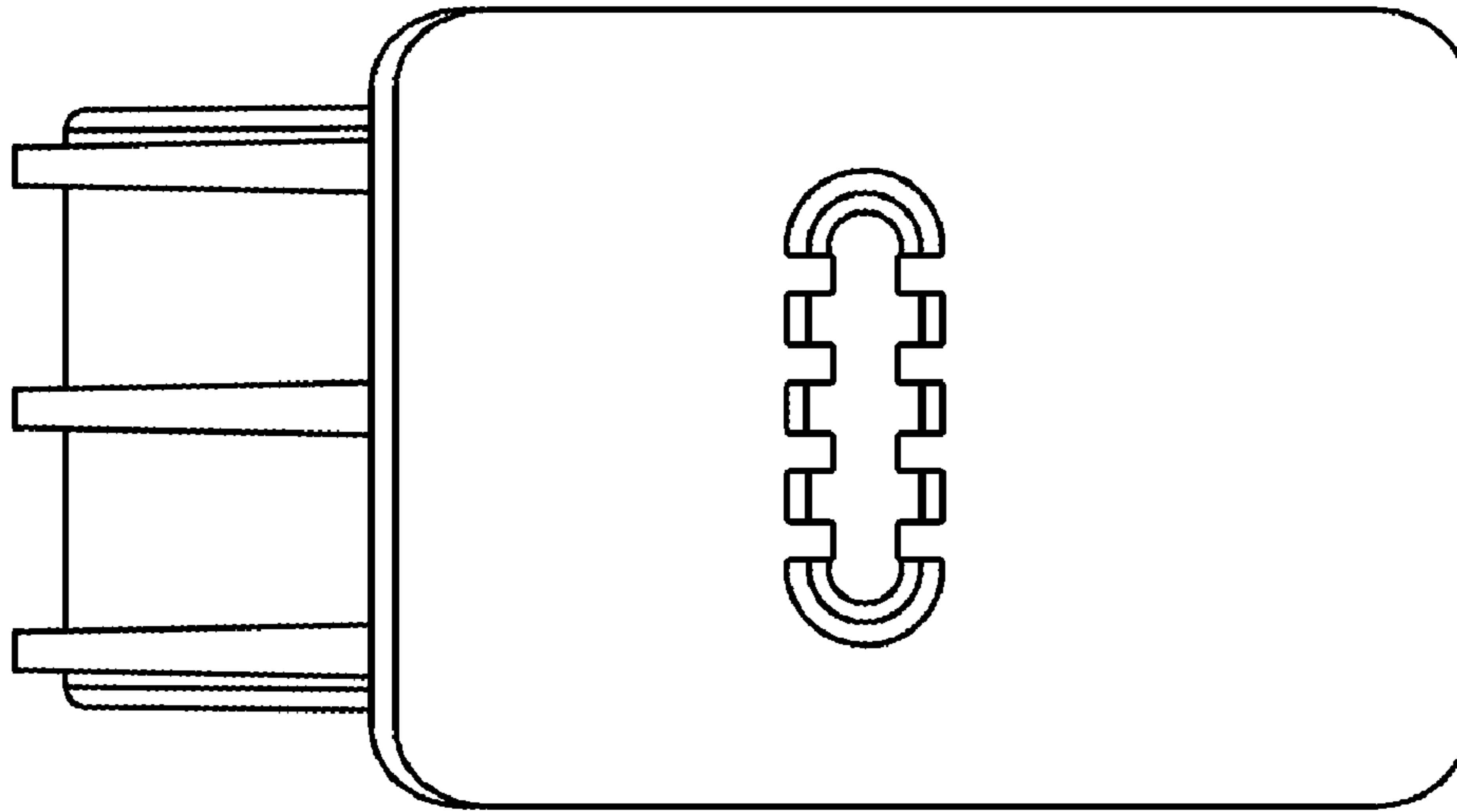


FIG. 3

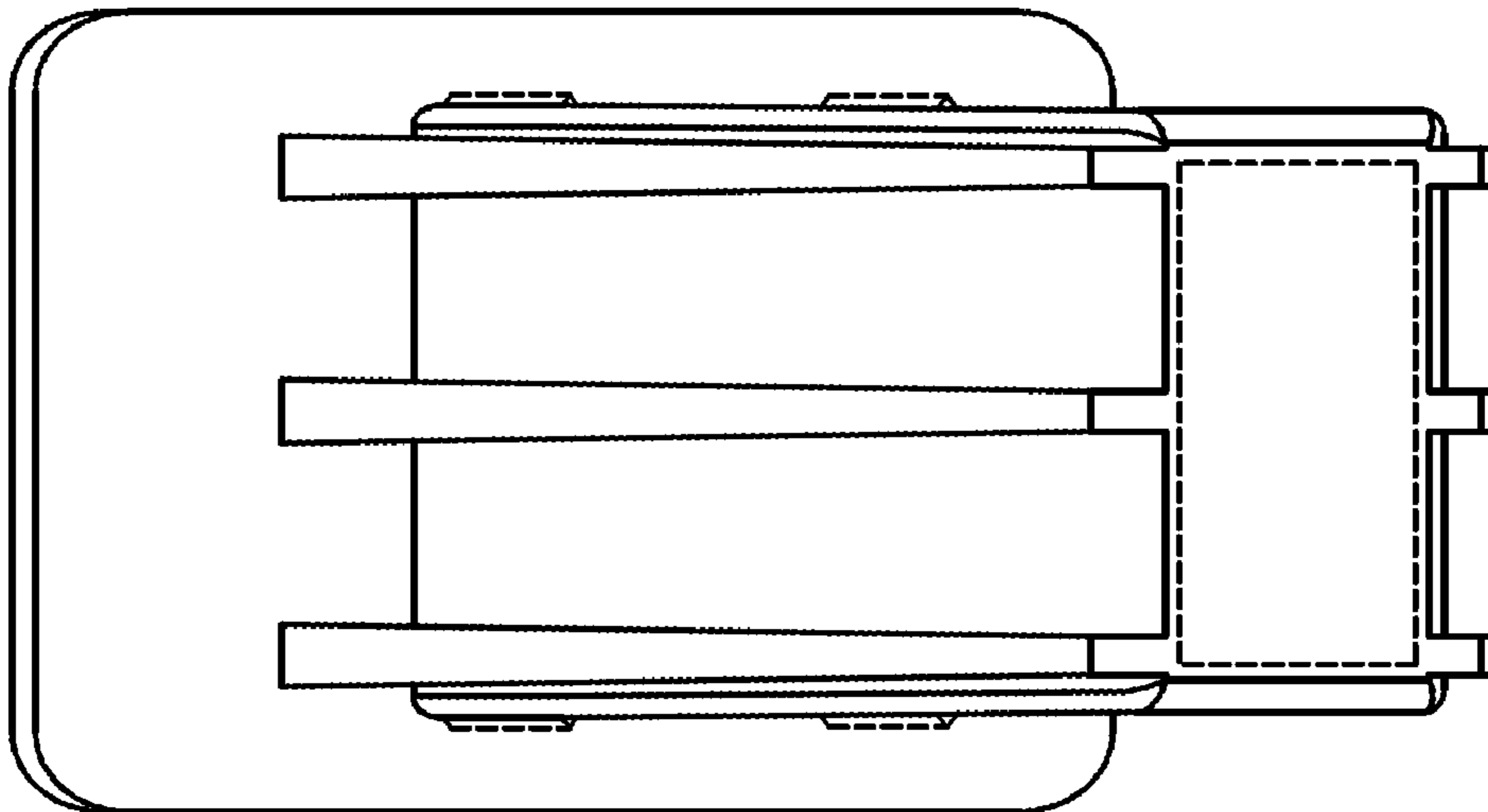


FIG. 4

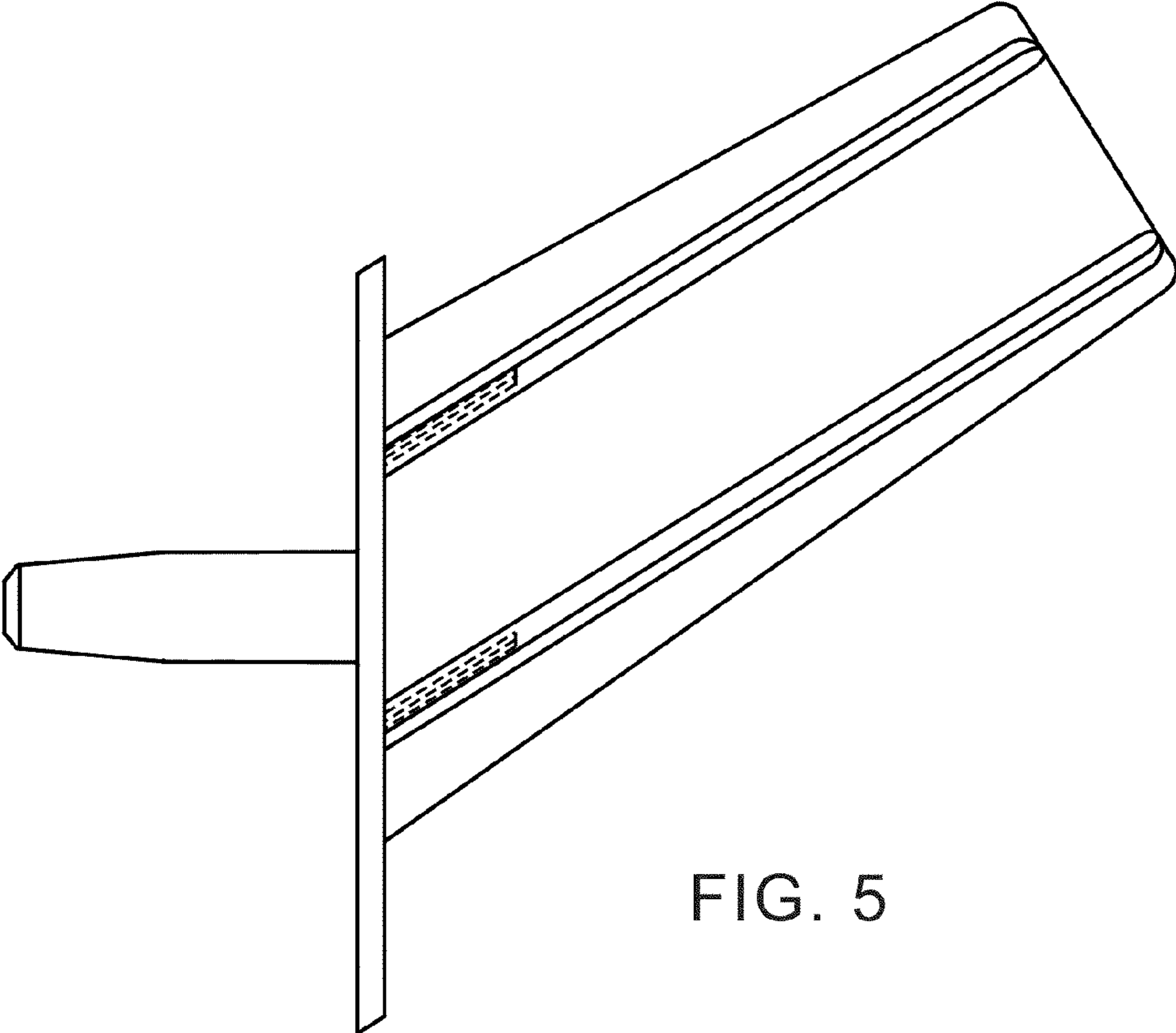


FIG. 5

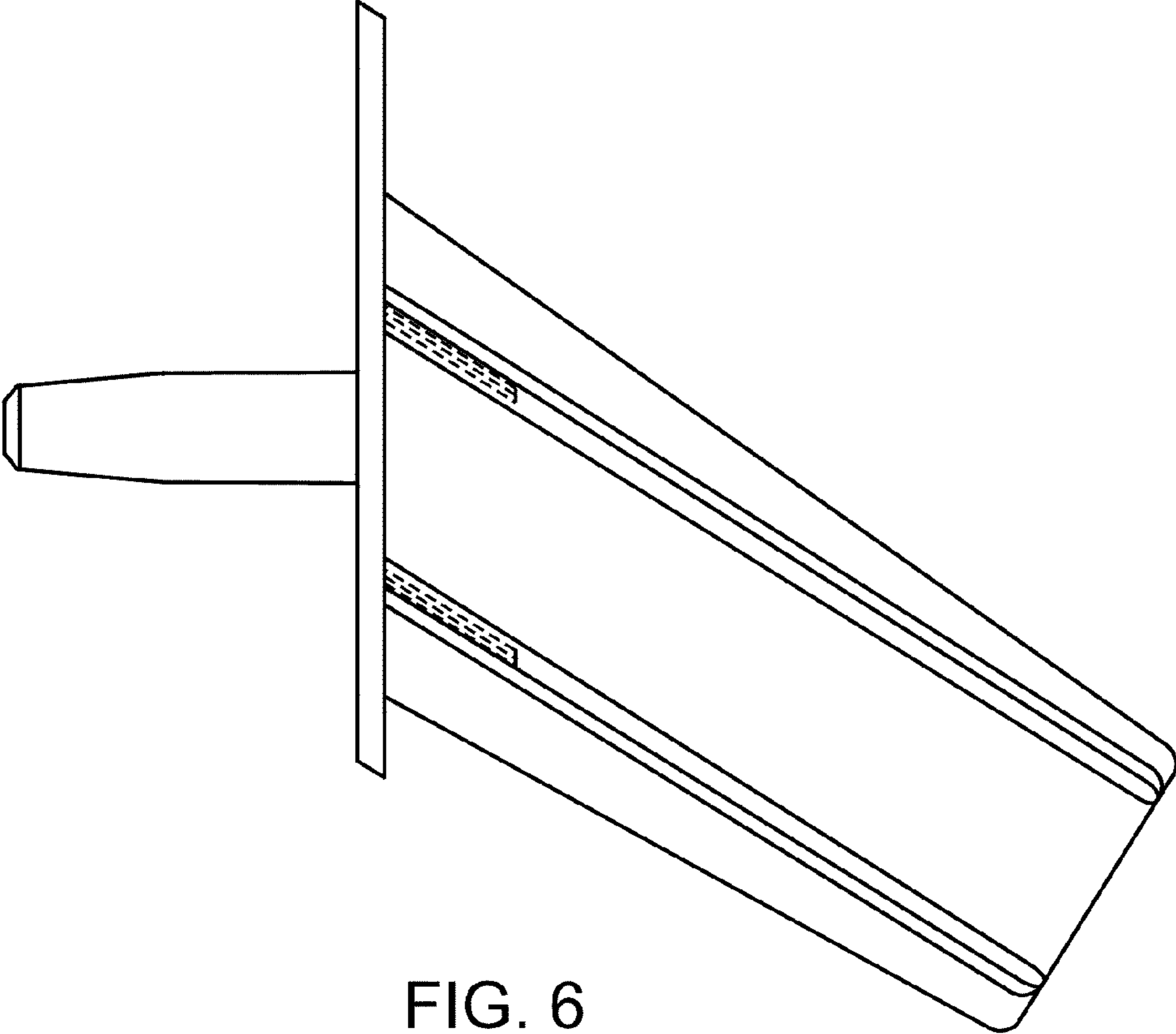


FIG. 6



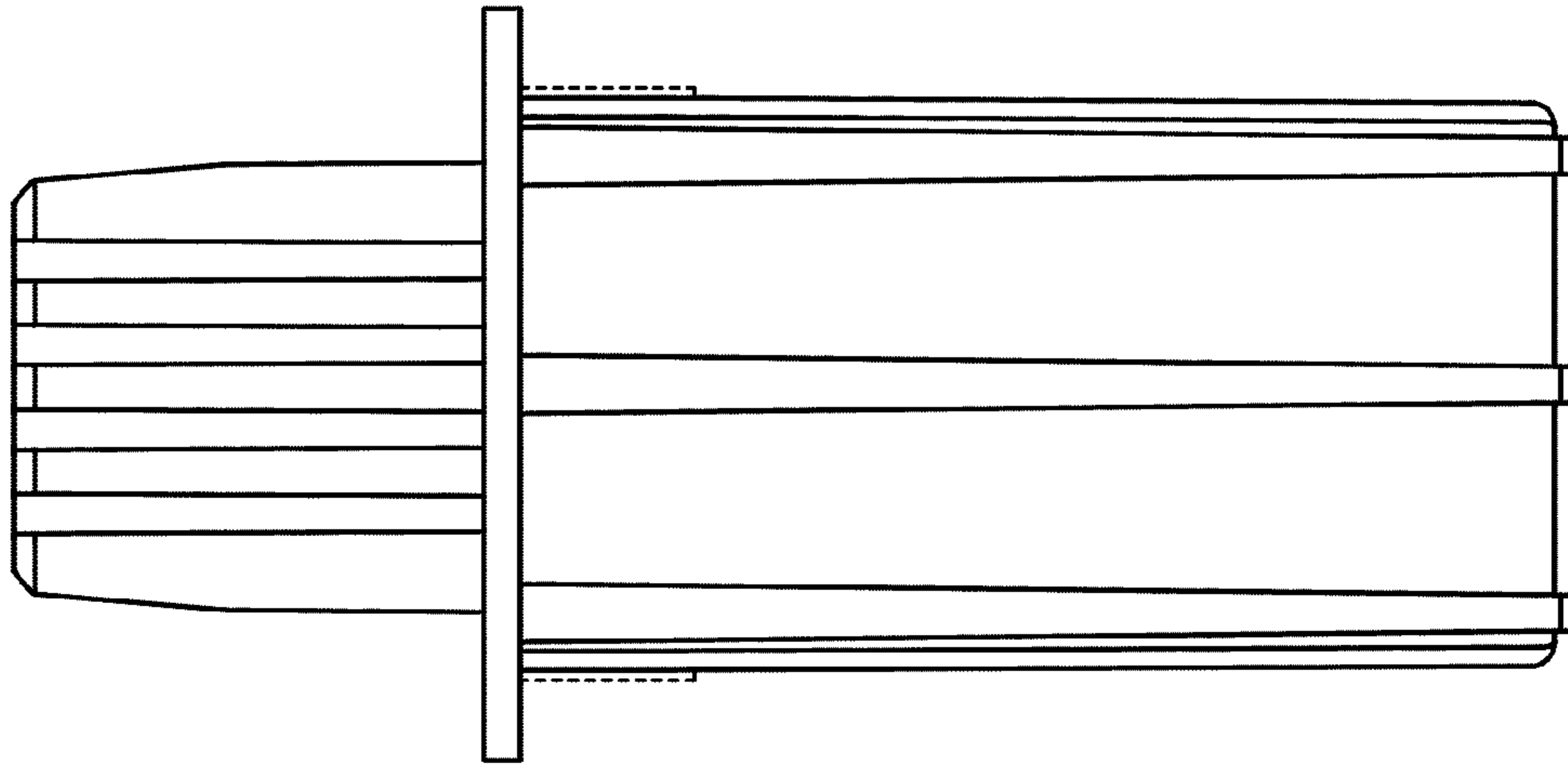


FIG. 7

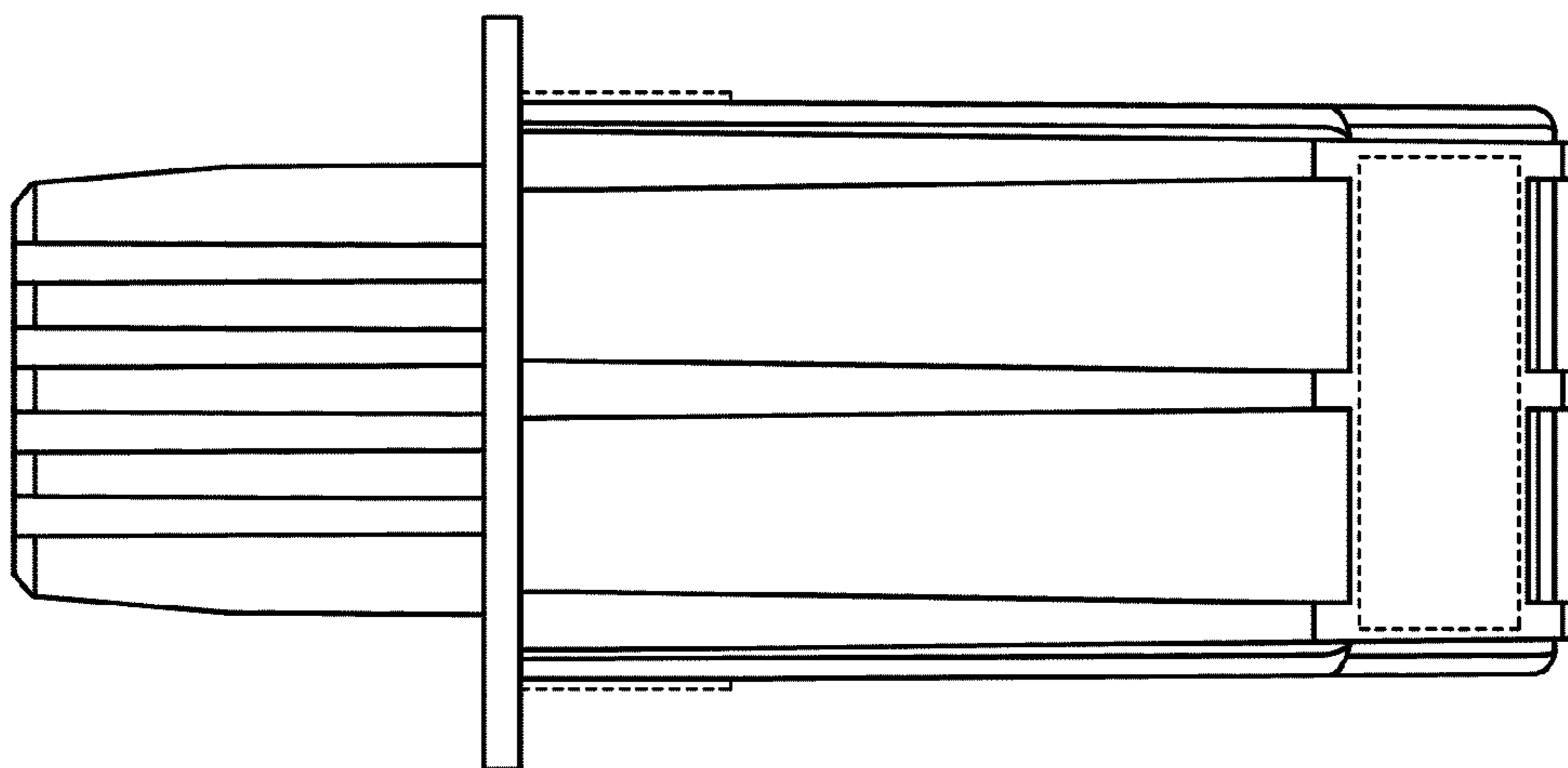


FIG. 8